

# LRS

## R013



**BONDIOLI & PAVESI** 

Safety and working conditions PTO driveshafts	<b>3-6</b>
<b>LRS R013 SFT</b>	
Safety labels and operator's manual Lubrication intervals - Troubleshooting	<b>2-5</b>
Cardan joint driveshafts with 4 tooth profile tubes - with Free Rotation tubes - with splined profiles Yokes for cardan joints - Single and double joints - Complete driveshafts	<b>6-15</b>
SFT 80°-50° EL CV joints - Yokes for SFT 80°-50° EL CV SFT driveshafts with 80° CV joints	<b>16-22</b>
Overrunning clutches RA, RL Torsionally resilient joints GE	<b>24-29</b>
Ratchet torque limiters SA, LN, LC, LT Shear bolt torque limiters LB - Automatic torque limiter LR	<b>30-55</b>
Friction torque limiters FV, FT Combination friction torque limiter and overrunning clutch FNV, FFNV, FNT	<b>56-95</b>
Shield kits Implement input connection shields	<b>96-102</b>
<b>LRS R013 GLOBAL</b>	
Driveline safety Lubrication intervals - Troubleshooting	<b>2-5</b>
Cardan joint driveshafts with rounded triangular profile tubes - with splined profiles Yokes for cardan joints - Complete driveshafts	<b>6-13</b>
80° EL CV joints - Yokes for Global 80° EL CV Global driveshafts with 80° CV joints	<b>14-18</b>
Overrunning clutches RA Torsionally resilient joints GE	<b>20-22</b>
Ratchet torque limiters SA, LN Shear bolt torque limiters LB - Automatic torque limiter LR	<b>23-35</b>
Friction torque limiters FV, FT Combination friction torque limiter and overrunning clutch FNV, FFNV, FNT	<b>36-71</b>
Shield kits Implement input connection shields SFT - Implement input connection shields CF	<b>72-78</b>
<b>LRS R013 SERIE 100</b>	<b>100</b>
Driveline safety Lubrication intervals - Troubleshooting	<b>2-5</b>
Cardan joint driveshafts with rounded triangular profile tubes - with splined profiles Yokes for cardan joints - Accessories	<b>6-11</b>
650 - 660 - 670 series CV joint driveshafts - 80° CV joints Yokes for 80°-50° EL CV - 100 Series driveshafts with 80° CV joints	<b>12-20</b>
Overrunning clutches RA, RL Torsionally resilient joints GE	<b>22-25</b>
Ratchet torque limiters SA, LN Shear bolt torque limiters LB - Automatic torque limiter LR	<b>26-40</b>
Friction torque limiters FV, FFV, FT Combination friction torque limiter and overrunning clutch FNV, FFNV, FNT	<b>41-87</b>
Shield kits Implement input connection shields CF	<b>88-93</b>

---

Copyright © Bondioli & Pavesi, S.p.A.  
July 2013 - Design by Bondioli & Pavesi - Printed in Italy  
Product specifications printed in this publication may change without notice.

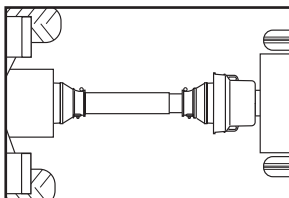
# Safety and working conditions



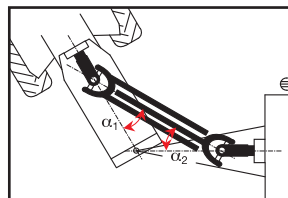
Use the implement only with the original driveline, which is compatible in length, power capacity, torque limiters, overrunning clutches, and shielding. The driveline and safety devices are designed specifically for the implement, and should be used exclusively for this purpose. Do not exceed the speed and power

limits given by the operator's manual. Drivelines, torque limiters, and overrunning clutches in this catalog are designed to be used at speeds that do not exceed 1000 min<sup>-1</sup>. Do not overload the implement or suddenly engage the PTO clutch. Any torque limiter or clutch should be installed on the implement end of

the driveline. Use the driveline, torque limiters, and overrunning clutches only for their intended purpose.

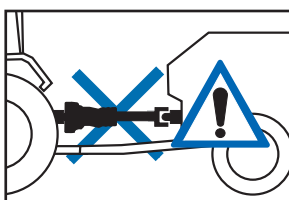


All rotating parts must be guarded. Contact with a rotating driveline can cause death or serious injury. The tractor master shield, the driveline guards, and the implement input connection shield form an interactive guarding system.

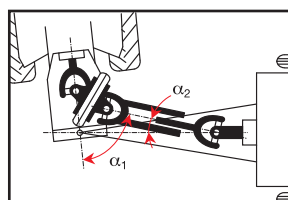


## SINGLE CARDAN JOINTS

When operating, ensure that angles  $\alpha_1$  and  $\alpha_2$  are small and as equal as possible. The joint angles may vary widely during turns, but must never exceed 35° under power or 45° while rotating. Disengage the PTO when the joint angles become excessive or too unequal.

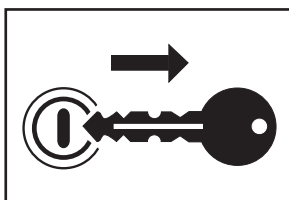


Ensure that all driveline, tractor, and implement shields are functional and in place before operation. Damaged or missing parts must be replaced with the original equipment spare parts, correctly installed, before using the driveline.

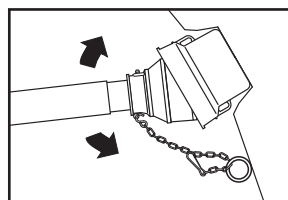


## CONSTANT VELOCITY (CV) JOINTS

CV joint can allow large joint angles -up to 50° or 80° depending upon the type. These joint angles should only be allowed for brief periods, for example during turning. For drivelines with a CV joint on the tractor side and a single cardan joint on the implement side, the maximum recommended angles of the single joint are 16° at 540 min<sup>-1</sup> and 9° at 1000 min<sup>-1</sup> to prevent irregular motion.



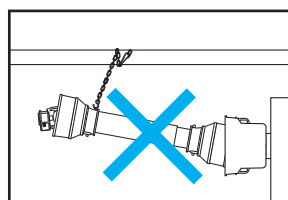
Disengage the PTO, turn off the tractor engine, remove the key, and check that all rotating parts have come to a standstill before approaching the implement or performing maintenance work. When used at night or in poor visibility, illuminate the driveline operating area



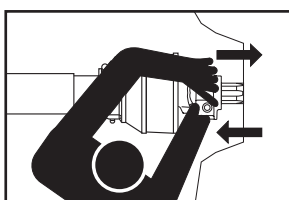
Attach the shield restraint chains, allowing sufficient slack for the driveline to move during turns and operation. Best results are achieved when the chains are attached nearly perpendicular to the driveline guard. Adjust the length to allow articulation of the driveline in working or transport positions, but avoid excessive slack that may wrap around the driveline.



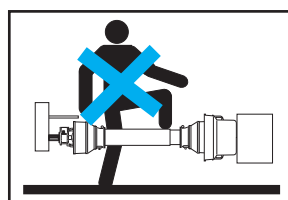
Do not approach, nor allow bystanders to come near the work zone or rotating parts. Do not wear loose clothing, jewelry, hair, or anything which could get caught in the machine. Contact with rotating parts could cause serious injury or death.



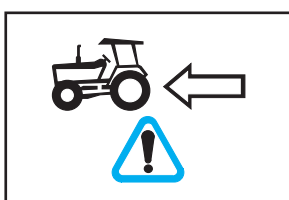
Never use the safety chains to support the driveline for storage. Always use the support on the implement. Keep the driveline horizontal during handling to prevent the halves from sliding apart, which could cause injury or damage the shielding.



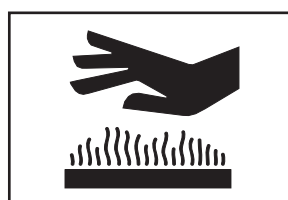
Ensure that the driveline is securely attached to the tractor and the implement before operating. Check that all bolts or nuts are properly torqued. DO NOT use PTO adapters.



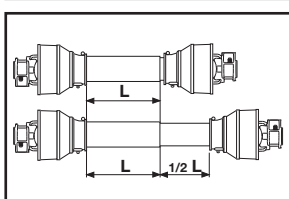
Do not stand, lean, or otherwise come in contact with the driveline. Do not step over or go under the driveline.



The tractor printed on the guard indicates the tractor end of the driveline. Any torque limiter or overrunning clutch must be installed on the implement end of the driveline.



Friction clutches may become hot during use. **Do not touch!** Keep the area around the friction clutch clear of any material which could catch fire and avoid prolonged slipping.

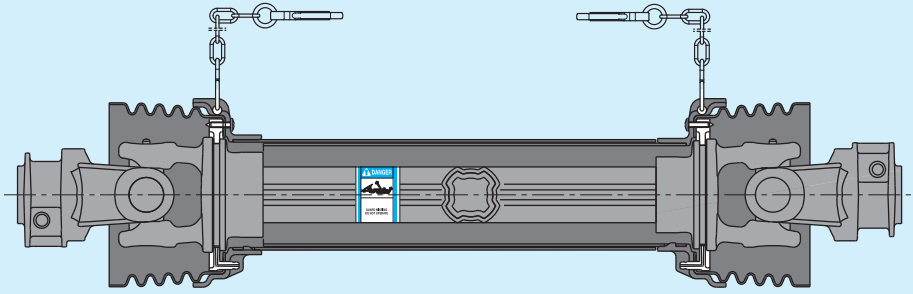


Keep the profile tubes overlapped as much as possible during transport and operation. Do not exceed values given in Bondioli & Pavesi catalogs for permissible length extension. Always hitch the tractor to STATIONARY MACHINERY (pumps, hoists, generators, dryers, etc.) so that the profile tubes are not overextended.

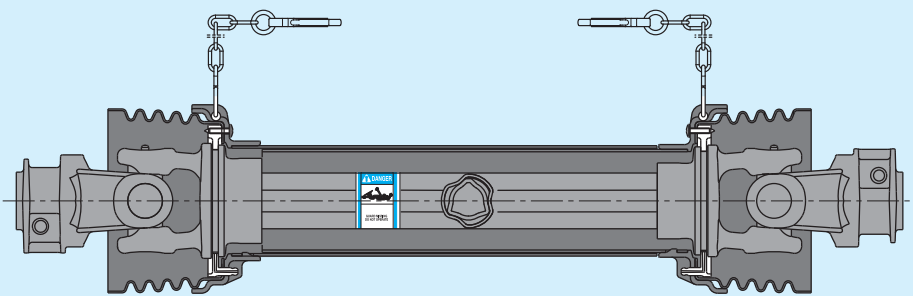


Always wear adequate safety equipment when performing any maintenance or repair work. Clean and grease the PTO of the tractor and implement input connection to facilitate installation of the driveline. Replace worn or damaged components with the original Bondioli & Pavesi spare parts. Do not alter or tamper with any driveline component. Contact an authorized Bondioli & Pavesi dealer concerning any operations not described in the instruction manual.

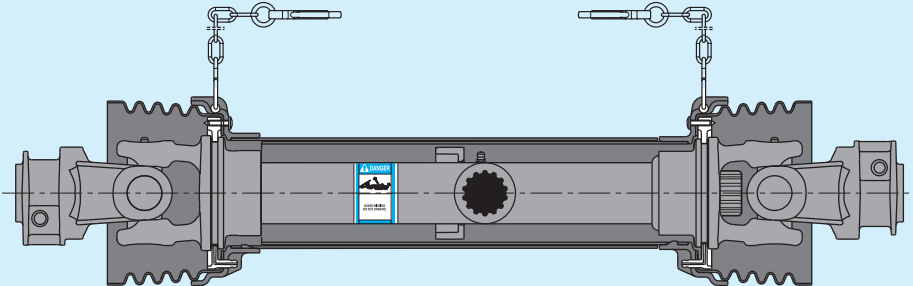
4-TOOTH PROFILE



FREE ROTATION PROFILE

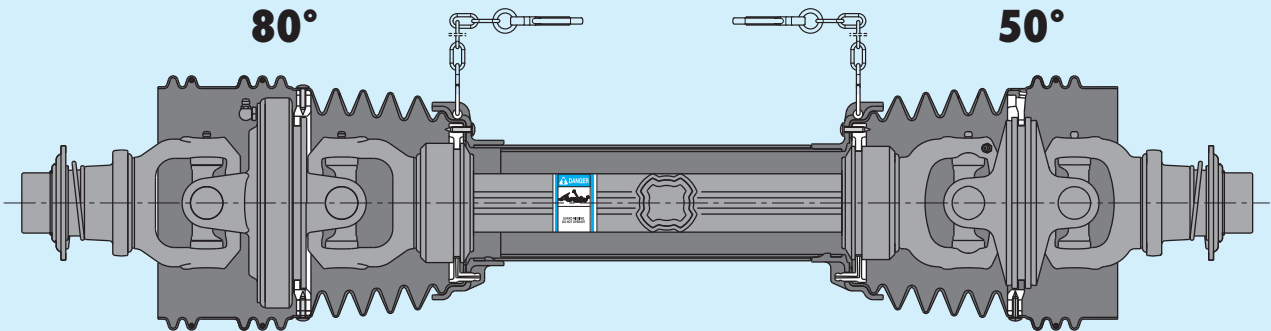


SPLINED PROFILE

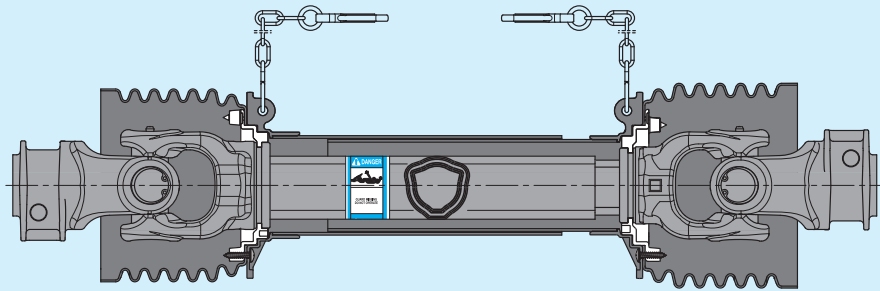


80°

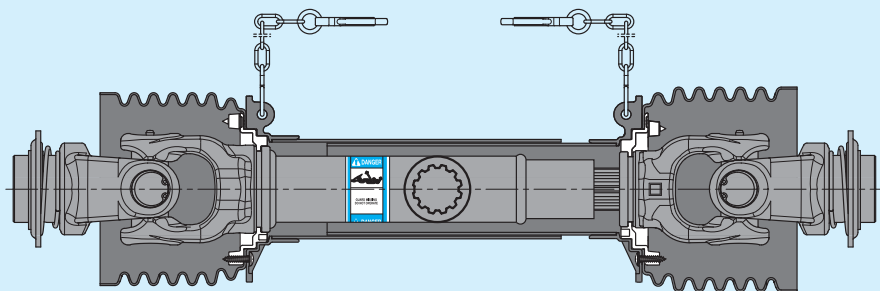
50°



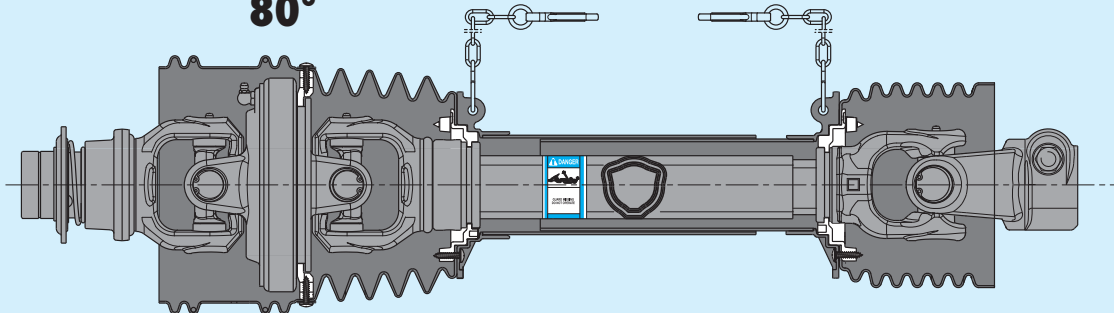
ROUNDED TRIANGULAR PROFILE

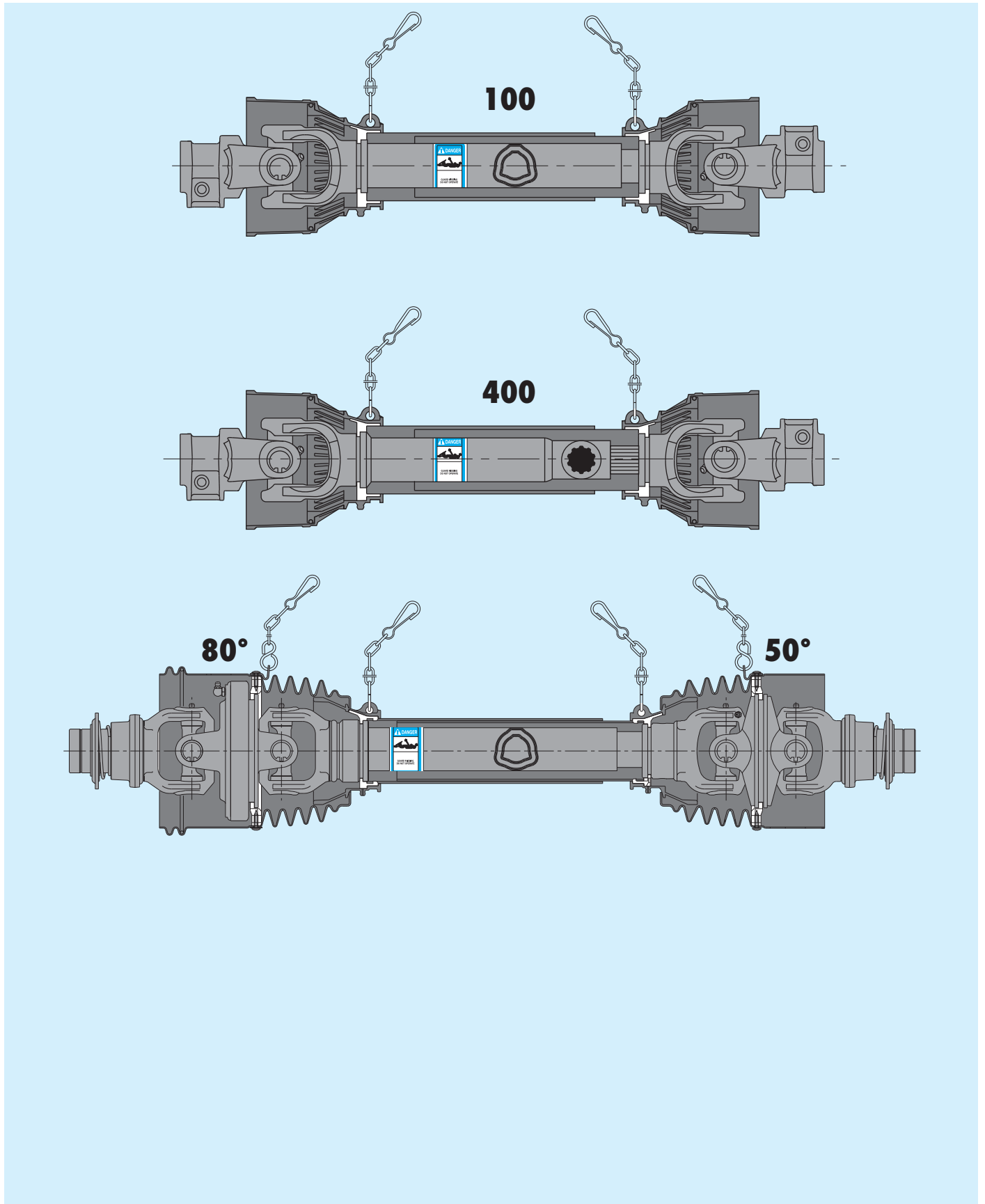


SPLINED PROFILE



80°





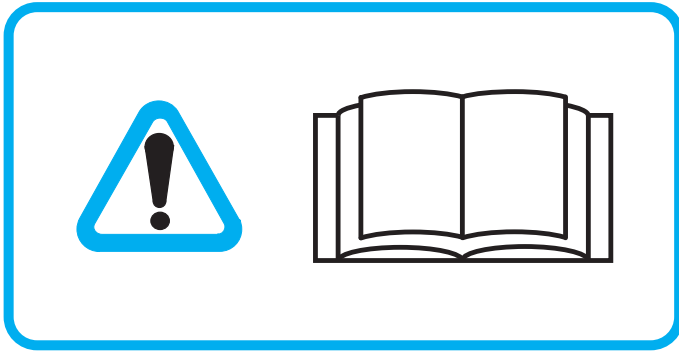
**Sft**



**BONDIOLI  
& PAVESI**







The safety of the end user depends upon proper use and maintenance of the implement, tractor, and driveline, plus all related safety shielding. Information regarding correct driveline usage is included on the safety label and in the use and maintenance manual included with Bondioli & Pavesi drivelines. Safety labels and user's manuals in alternative languages are available to meet local requirements. If drivelines are to be used on ma-

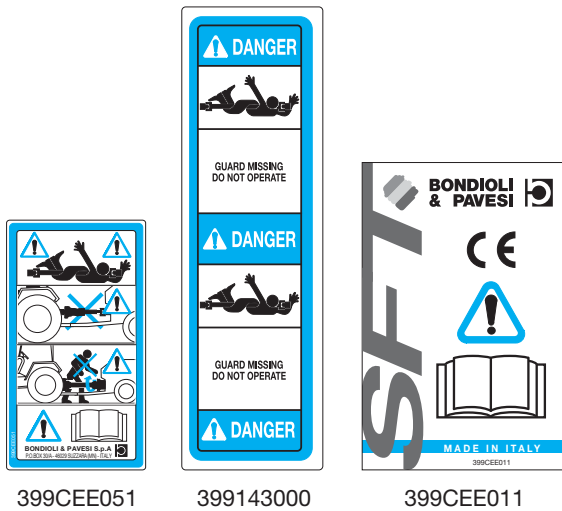
chines bound for export, contact Bondioli & Pavesi for labels and manuals. The manufacturer or purchaser must inform Bondioli & Pavesi when alternative labels or manuals are required. Read the driveline manual, and the operator's manual for the implement, before using the machine.

**YOUR SAFETY DEPENDS UPON THIS INFORMATION.**

## PRIMARY DRIVELINES FOR EEC-EFTA COUNTRIES

The primary driveline (the one that connects the tractor to the machine) sold in ECC and EFTA countries have the CE mark, safety label

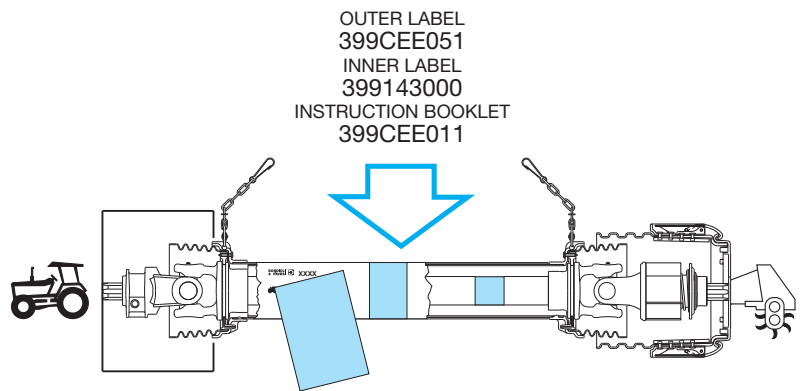
code 399CEE051 and 399143000, user manual code 399CEE011 and safety chains.



399CEE051

399143000

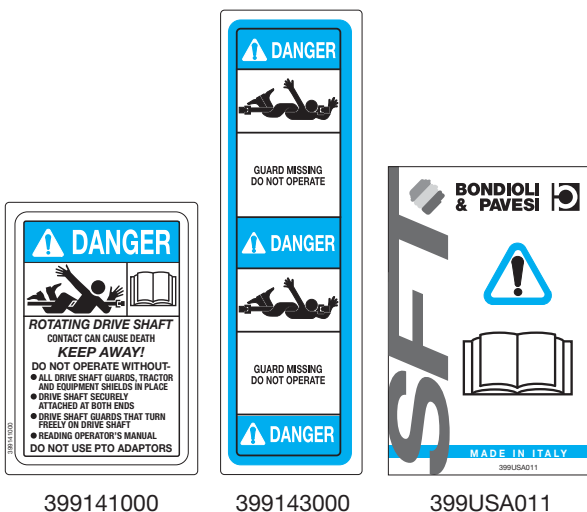
399CEE011



## DRIVELINES FOR NORTH AMERICA (USA, Canada and Mexico)

Drivelines sold in North America (USA, Canada and Mexico) are equipped with safety labels code

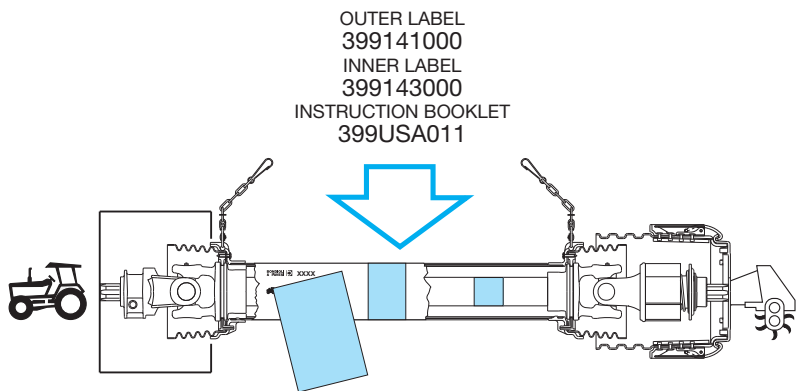
399141000 and 399143000 and have the user's manual code 399USA011.



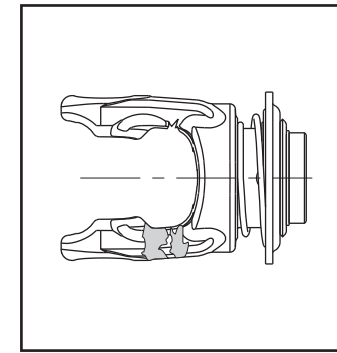
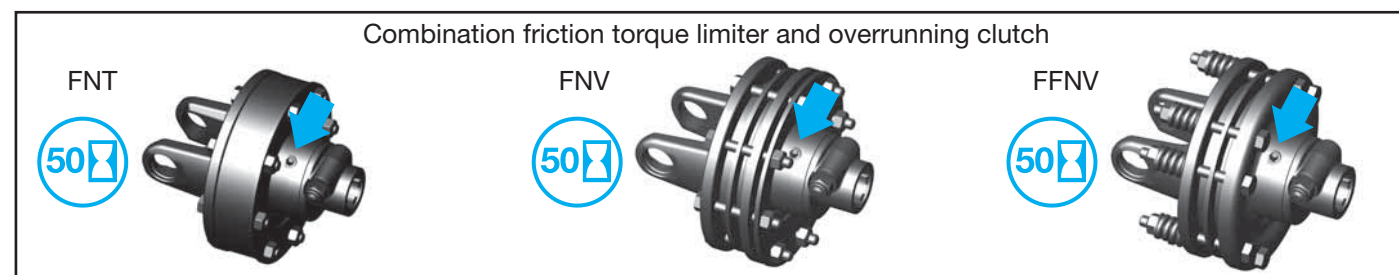
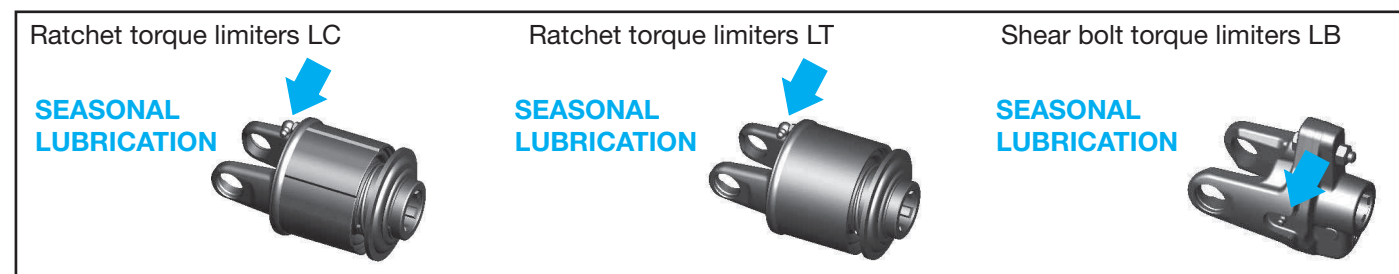
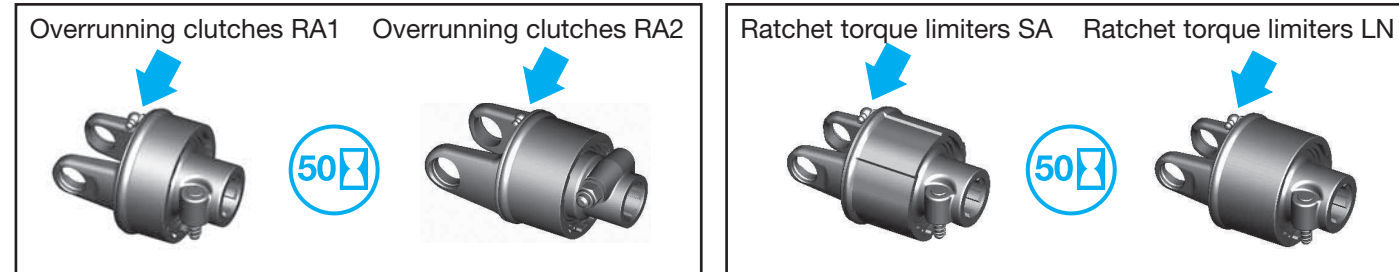
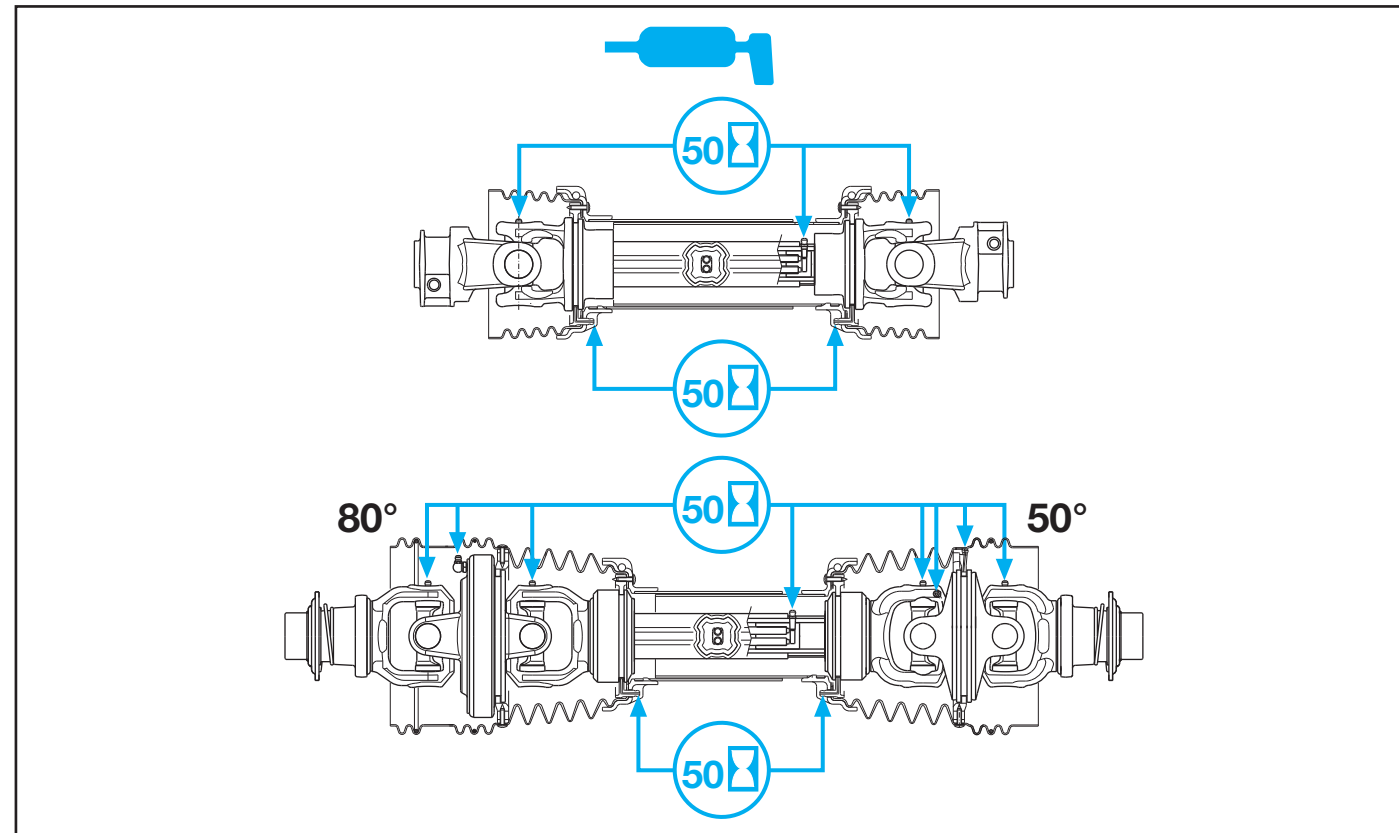
399141000

399143000

399USA011



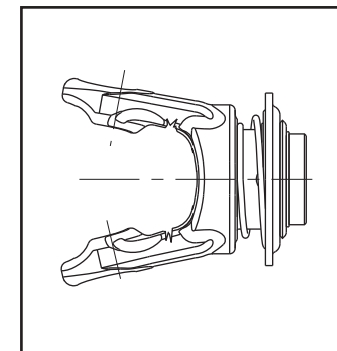
**AFTER ANY MAINTENANCE OR REPAIR, ALWAYS REPLACE ALL GUARDS AND SHIELDS!**



**WEAR OF YOKE EARS**

EXCESSIVE WORKING ANGLE

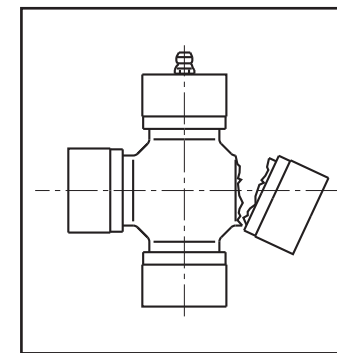
- Reduce working angle.
- Disengage PTO when joint angle exceeds 45°.



**DEFORMATION OF YOKE EARS**

EXCESSIVE TORQUE PEAK OR SHOCK LOAD

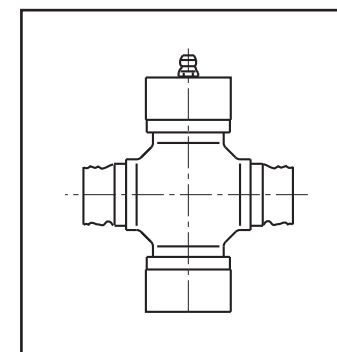
- Avoid overloading and engaging drive under load.
- Check function of torque limiter.



**CROSS ARMS BROKEN**

EXCESSIVE TORQUE PEAK OR SHOCK LOAD

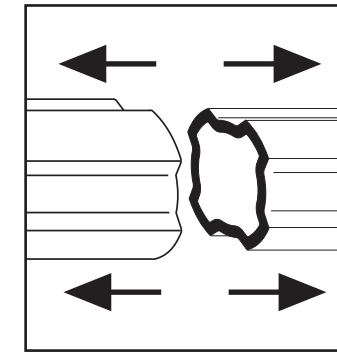
- Avoid overloading and engaging drive under load.
- Check function of torque limiter.



**ACCELERATED WEAR OF CROSS ARMS**

EXCESSIVE LOAD

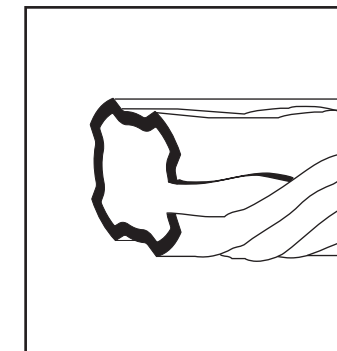
- Do not exceed the speed or power limits indicated in the instruction manual.
- INSUFFICIENT LUBRICATION
- Follow instructions in chapter "Lubrication and maintenance".



**SEPARATION OF TELESCOPING TUBES**

EXCESSIVE EXTENSION OF DRIVELINE

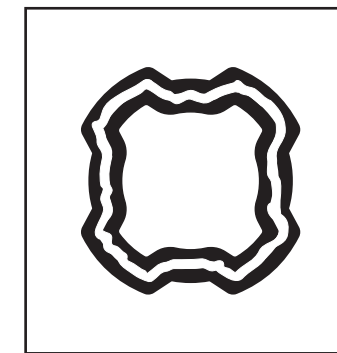
- Avoid excessive extension of driveline.
- For stationary machinery: position the tractor so that the telescoping tubes overlap as illustrated in chapter "Working conditions".
- Check extension of drawbar hitch according to the instruction manual.



**DEFORMATION OF TELESCOPING TUBES**

EXCESSIVE TORQUE PEAK OR SHOCK LOAD

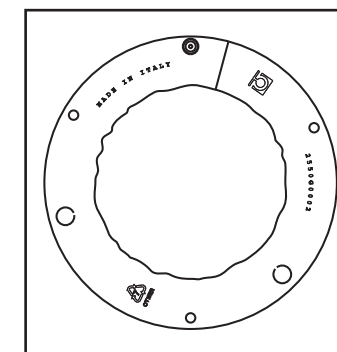
- Avoid overloading and engaging drive under load.
- Check functioning of torque limiter.
- Check that driveline does not come into contact with tractor or implement components during movement.



**ACCELERATED WEAR OF TELESCOPING TUBES**

INSUFFICIENT LUBRICATION

- Follow instructions in chapter "Lubrication Intervals."
- INSUFFICIENT TUBE OVERLAP
- Follow instruction in chapter "Safety and working conditions."



**ACCELERATED WEAR OF SHIELD BEARING**

INSUFFICIENT LUBRICATION

- Follow instructions in chapter "Lubrication intervals."

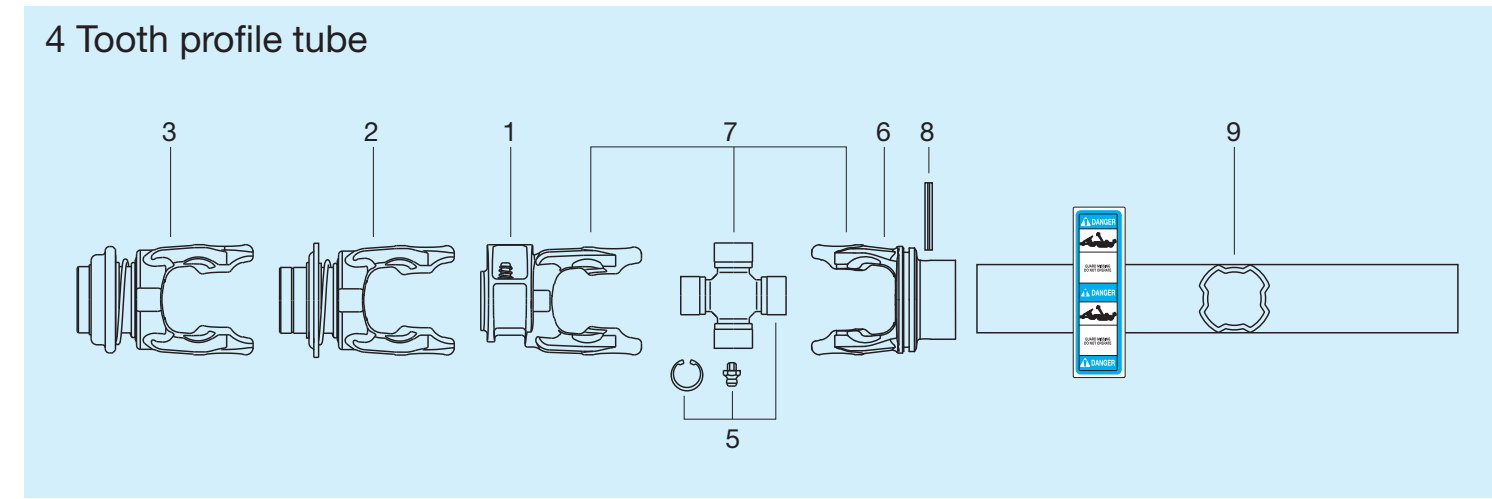
Size	540 min <sup>-1</sup> Power Rating		1000 min <sup>-1</sup> Power Rating		5 SINGLE & DOUBLE JOINTS 	30 80° & 50° CV Joints 	SINGLE & DOUBLE JOINTS 
	kW	CV	kW	CV			
S1	13	18	20	27	A=22,0 H=54,0 4120B0012R50	---	62,9
S2	21	28	31	42	A=23,8 H=61,3 4120C0012R30	A=22,0 H=76,0 4120C0051R25	72
S4	28	38	42	57	A=27,0 H=74,6 4120E0012R25	A=22,0 H=86,0 4120E0051R40	85
S5	37	50	55	75	A=30,2 H=79,4 4120G0012R40	---	91,2
S6	40	55	61	83	A=30,2 H=79,4 4120G0012R40	A=27,0 H=100,0 4120G0051R24	91,2
H7	51	70	78	106	A=30,2 H=91,5 4120H0012R30	A=27 H=100,0 4120G0051R24	103
S8	66	90	100	136	A=34,9 H=93,5 4120L0012R24	A=30,2 H=106,0 4120L0051R20	107
H8	66	90	100	136	A=34,9 H=93,5 4120L0012R24	A=30,2 H=106,0 4120L0051R20	107
S9	81	110	122	166	A=34,9 H=106,0 4120M0012R20	A=30,2 H=122,0 4120M0052R10	119,6
SH	97	132	147	200	A=42,0 H=107,5 4120N0012R10	A=34,9 H=110,0 4120N0051R10	122,5
S0	124	169	187	254	A=42,0 H=130,0 4120S0012R10	---	145

PACKAGE QUANTITIES: THE NUMBER FOLLOWING THE LETTER "R" IN THE CODE INDICATES THE NUMBER OF PIECES IN EACH PACK. FOR EXAMPLE, 341036000R10 INDICATES THAT EACH PACKAGE CONTAINS 10 ROLL PINS.

WARNING!

**MACHINERY DIRECTIVE 2006/42/CEE**  
With reference to the above mentioned directives dated January 1, 1995, in the CEE and EFTA member states, primary drivelines placed on the market and put into service must meet the essential safety requirements and will bear the brand and declaration of conformity.

1	2	3	4	6	7	8
1 3/8" Z6	1 3/8" Z6	1 3/8" Z6	1 3/8" Z6	OUTER TUBE YOKE	JOINT FOR OUTER TUBE	ROLL PIN FOR OUTER TUBE
5070B0355	5720B0355	---	---	Ø 59 204S16853	CS1GC049007	341036000R10
5070C0355	5720C0355	---	---	Ø 73 204S26854	CS2GC049007	341048000R10
5070E0355	5720E0355	5720E0361	5090E0360	Ø 73 204S46854	CS4GC049007	341038000R10
5070G0355	5720G0355	5720G0361	5090G0360	Ø 73 204S56858	CS5GC049007	341043000R10
5070G0355	5720G0355	5720G0361	5090G0360	Ø 89 204S66853	CS6GC049007	341053000R10
5070H0355	5720H0355	5720H0361	5090H0360	Ø 89 2040H6862	CH7GC049007	341053000R10
5070L0355	5720L0355	5720L0361	5090L0360	Ø 89 204S86853	CS8GC049007	341042000R10
5070L0355	5720L0355	5720L0361	5090L0360	Ø 89 2040L6869	CH8GC049007	341046000R10
5070M0355	5720M0351	5720M0352	5090M0360	Ø 99 204S96855	CS9GC049007	341046000R10
---	5720N0351	5720N0361	---	Ø 103 2040N6853	CSHG049R07	341093000R10
---	5720S0351	5720S0352	---	Ø 103 2040S6855	CS0GC049R07	341103000R10



Guards removed for illustration purposes only. Make sure all driveline, tractor, and equipment shields are in place before operation.

**NON-PRIMARY DRIVELINES FOR EEC/EFTA COUNTRIES AND DRIVELINES FOR NON-EEC/EFTA COUNTRIES**

Drivelines internal to the machine or sold to non-EEC/EFTA countries do not require the CE mark. They are equipped with safety labels

code 399CEE051 and 399143000, and have the users manual code 399USA011.

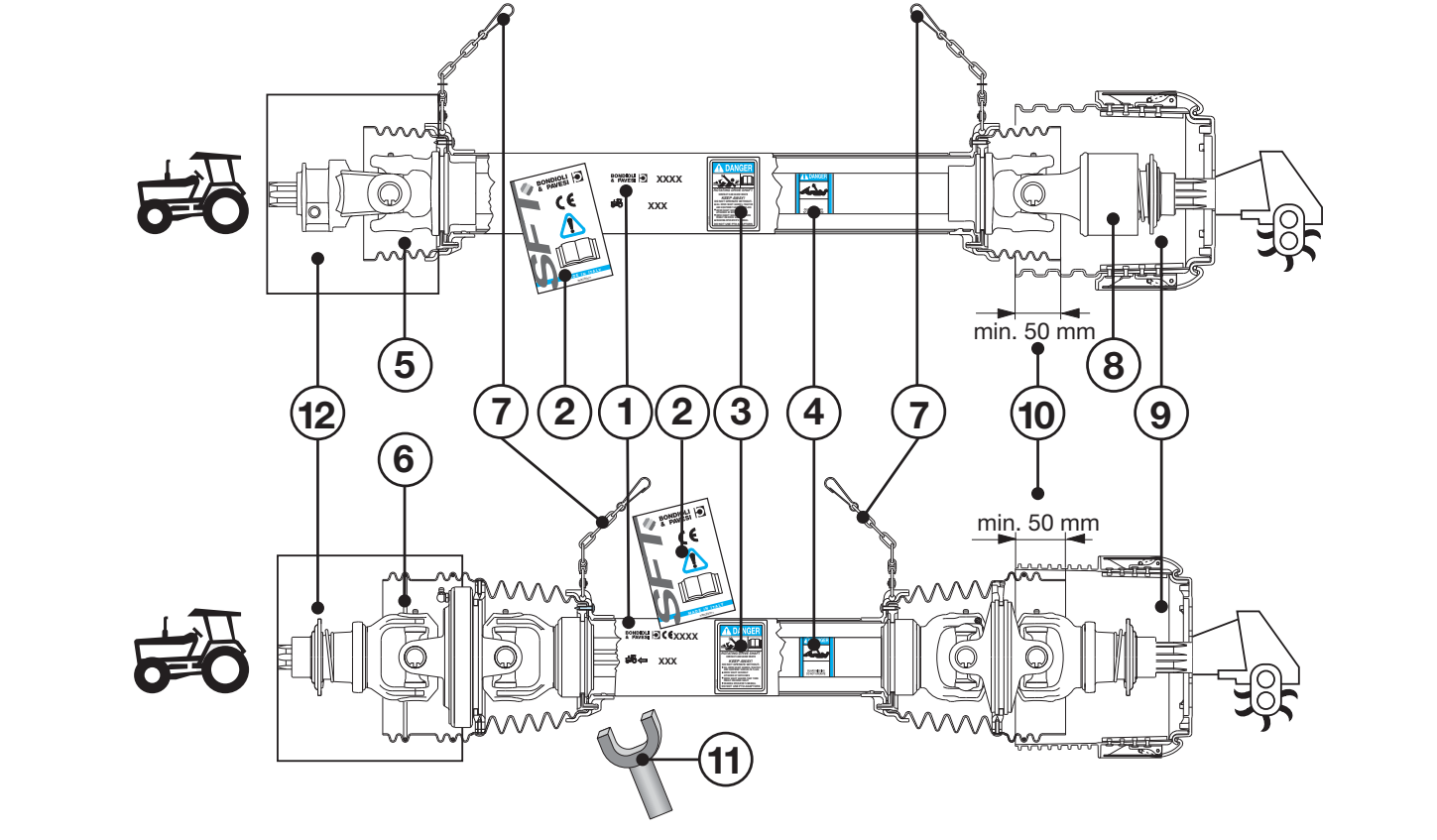
Labels: 399CEE051, 399143000, 399USA011

Labels: DANGER, GUARD MISSING DO NOT OPERATE

Labels: BONDOLI & PAVESI, SFT, MADE IN ITALY

Labels: OUTER LABEL 399CEE051, INNER LABEL 399143000, INSTRUCTION BOOKLET 399USA011

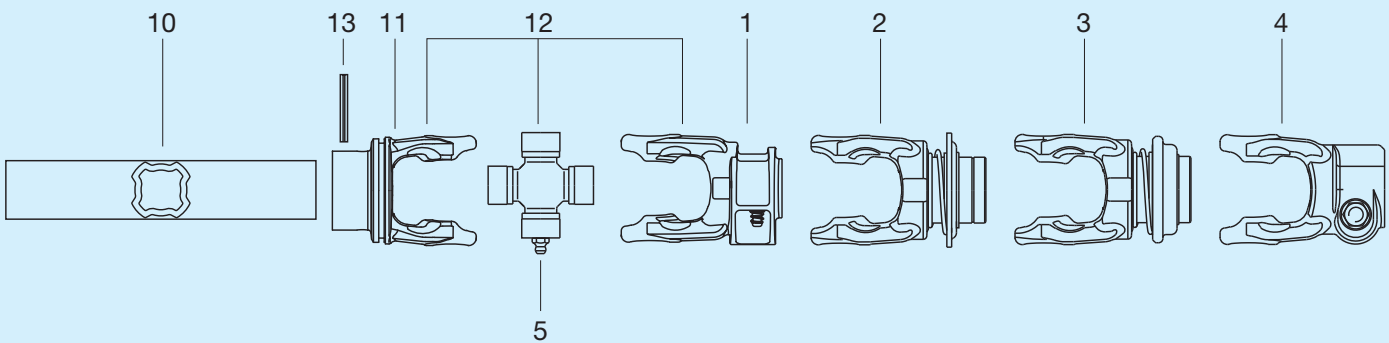
CE - SAFETY FEATURES



- 1 Driveline identification, CE mark
- 2 Operating instructions, CE-Declaration of Conformity
- 3 Safety label on shield tube
- 4 Safety label on telescoping members
- 5 Cone length at least to the end of the inboard joint
- 6 Cone length at least to the end of the outer joint
- 7 Safety chains
- 8 Torque limiters or overrunning clutch on the implement side only
- 9 The implement must provide PIC shielding
- 10 Minimum overlap in straight position
- 11 Support for the PTO drive shaft when the machine is uncoupled
- 12 Tractor master shield

9  OUTER DRIVE TUBE	10  INNER DRIVE TUBE	11  INNER TUBE YOKE	12  JOINT FOR INNER TUBE	13  ROLL PIN FOR INNER TUBE
$D_1= 35,20$ $T_1= 2,00$ 122323000R06	$D_2= 30,80$ $T_2= 3,00$ 122163000R06	$\varnothing 56$ 204S16854	CS1GC050007	341037000R10
$D_1= 45,60$ $T_1= 2,75$ 122053000R06	$D_2= 39,60$ $T_2= 3,00$ 122193000R06	$\varnothing 70$ 204S26853		
$D_1= 50,20$ $T_1= 2,75$ 122423000R06	$D_2= 44,20$ $T_2= 3,50$ 122413000R06	$\varnothing 70$ 204S46853	CS4GC050007	341048000R10
$D_1= 50,20$ $T_1= 2,75$ 122423000R06	$D_2= 44,20$ $T_2= 4,20$ 122523000R06	$\varnothing 70$ 204S56859		
$D_1= 53,90$ $T_1= 3,25$ 122453000R06	$D_2= 46,90$ $T_2= 4,50$ 122443000R06	$\varnothing 86$ 204S66854	CS6GC050007	341043000R10
$D_1= 58,20$ $T_1= 3,25$ 122093000R06	$D_2= 51,20$ $T_2= 5,00$ 122513000R06	$\varnothing 86$ 2040H6863		
$D_1= 58,20$ $T_1= 3,25$ 122093000R06	$D_2= 51,20$ $T_2= 5,00$ 122513000R06	$\varnothing 86$ 204S86854	CH7GC050007	341043000R10
$D_1= 66,00$ $T_1= 3,50$ 122113000R06	$D_2= 58,50$ $T_2= 4,50$ 122383000R06	$\varnothing 86$ 2040L6866		
$D_1= 66,00$ $T_1= 3,50$ 122113000R06	$D_2= 58,50$ $T_2= 4,50$ 122383000R06	$\varnothing 96$ 204S96856	CS8GC050007	341053000R10
$D_1= 70,20$ $T_1= 4,00$ 122133000R06	$D_2= 61,70$ $T_2= 5,75$ 122553000R06	$\varnothing 100$ 2040N6854		
$D_1= 70,20$ $T_1= 4,00$ 122133000R06	$D_2= 61,70$ $T_2= 5,75$ 122553000R06	$\varnothing 100$ 2040S6856	CS9GC050007	341081000R10
$D_1= 70,20$ $T_1= 4,00$ 122133000R06	$D_2= 61,70$ $T_2= 5,75$ 122553000R06	$\varnothing 100$ 2040N6854		
$D_1= 70,20$ $T_1= 4,00$ 122133000R06	$D_2= 61,70$ $T_2= 5,75$ 122553000R06	$\varnothing 100$ 2040S6856	CSHG050R07	341046000R10
$D_1= 70,20$ $T_1= 4,00$ 122133000R06	$D_2= 61,70$ $T_2= 5,75$ 122553000R06	$\varnothing 100$ 2040S6856		
$D_1= 70,20$ $T_1= 4,00$ 122133000R06	$D_2= 61,70$ $T_2= 5,75$ 122553000R06	$\varnothing 100$ 2040S6856	CS0GC050R07	341046000R10

The codes for the tubes reference the 3 meter lengths packaged in multiples of 6 pieces.

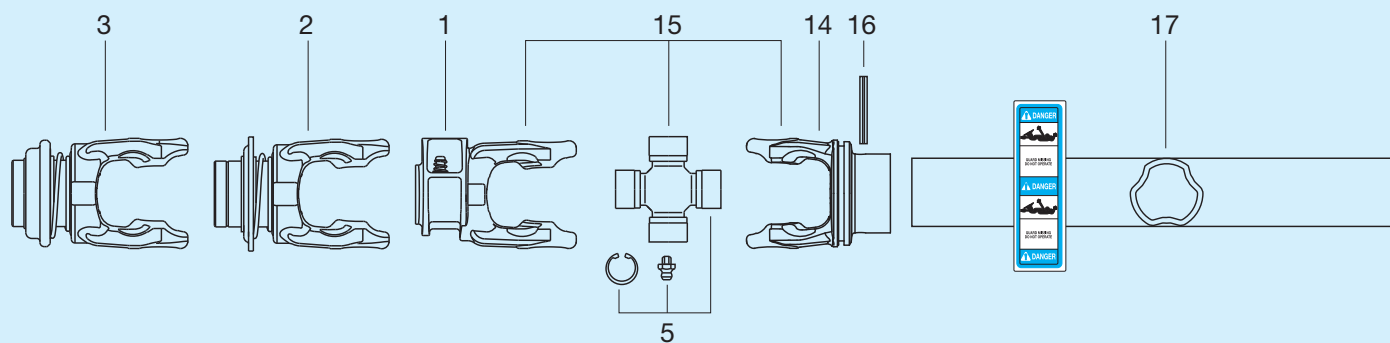


# Cardan joint driveshafts with Free Rotation tubes



1	2	3	4	14	15	16
1 3/8" Z6	1 3/8" Z6	1 3/8" Z6	1 3/8" Z6	INNER TUBE YOKE	JOINT FOR INNER TUBE	ROLL PIN FOR INNER TUBE
5070B0355	5720B0355	---	---	---	---	---
5070C0355	5720C0355	---	---	∅ 73 204S26855	CS2GC083007	341048000R10
5070E0355	5720E0355	5720E0361	5090E0360	∅ 73 204S46856	CS4GC083007	341038000R10
5070G0355	5720G0355	5720G0361	5090G0360	---	---	---
5070G0355	5720G0355	5720G0361	5090G0360	∅ 89 204S66856	CS6GC083007	341042000R10
5070H0355	5720H0355	5720H0361	5090H0360	---	---	---
5070L0355	5720L0355	5720L0361	5090L0360	---	---	---
5070L0355	5720L0355	5720L0361	5090L0360	---	---	---
5070M0355	5720M0351	5720M0361	5090M0360	---	---	---
---	5720N0351	5720N0352	---	---	---	---
---	5720S0351	5720S0352	---	---	---	---

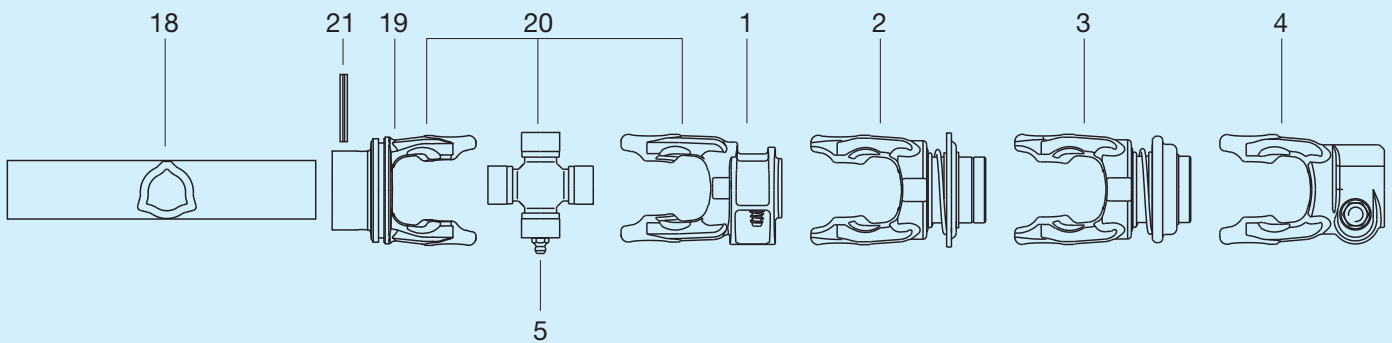
## Free Rotation profile



Guards removed for illustration purposes only. Make sure all driveline, tractor, and equipment shields are in place before operation.

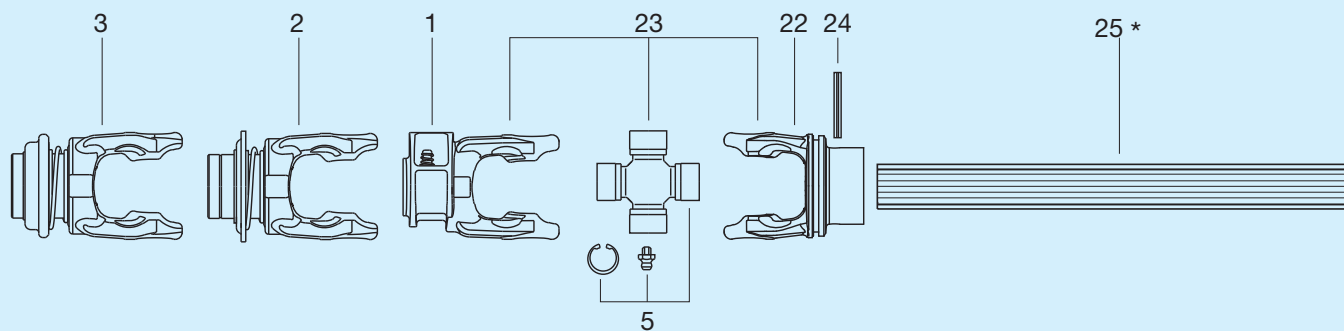
17 OUTER DRIVE TUBE	18 INNER DRIVE TUBE	19 INNER TUBE YOKE	20 JOINT FOR INNER TUBE	21 ROLL PIN FOR INNER TUBE
---	---	---	---	---
$D_1 = 40,40$ $T_1 = 3,10$ 123023000R06	$D_2 = 29,00$ $T_2 = 4,00$ 125043000R06	$\varnothing 70$ 2040C6856	CS2GC089007	341048000R10
$D_1 = 48,00$ $T_1 = 3,35$ 123043000R06	$D_2 = 36,00$ $T_2 = 4,00$ 125073000R06	$\varnothing 70$ 204S46855		
---	---	---	---	---
$D_1 = 58,50$ $T_1 = 3,60$ 123063000R06	$D_2 = 45,00$ $T_2 = 4,20$ 125093000R06	$\varnothing 86$ 204S66855	CS6GC089007	341043000R10
---	---	---		
---	---	---	---	---
---	---	---	---	---
---	---	---	---	---
---	---	---	---	---
---	---	---	---	---
---	---	---	---	---

The codes for the tubes reference the 3 meter lengths packaged in multiples of 6 pieces.

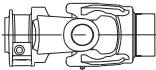

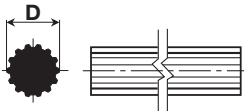
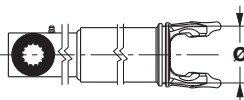


1	2	3	4	22
1 3/8" Z6	1 3/8" Z6	1 3/8" Z6	1 3/8" Z6	INNER YOKE FOR SPLINED BAR
5070B0355	5720B0355	---	---	---
5070C0355	5720C0355	---	---	---
5070E0355	5720E0355	5720E0361	5090E0360	---
5070G0355	5720G0355	5720G0361	5090G0360	---
5070G0355	5720G0355	5720G0361	5090G0360	Ø 89 2040G3452
5070H0355	5720H0355	5720H0361	5090H0360	Ø 89 2040H3453
5070L0355	5720L0355	5720L0361	5090L0360	Ø 89 2040L3453
5070L0355	5720L0355	5720L0361	5090L0360	---
5070M0355	5720M0351	5720M0361	5090M0360	Ø 99 2040M8152
---	5720N0351	5720N0352	---	Ø 103 2040N8152
---	5720S0351	5720S0352	---	Ø 103 2040S8151

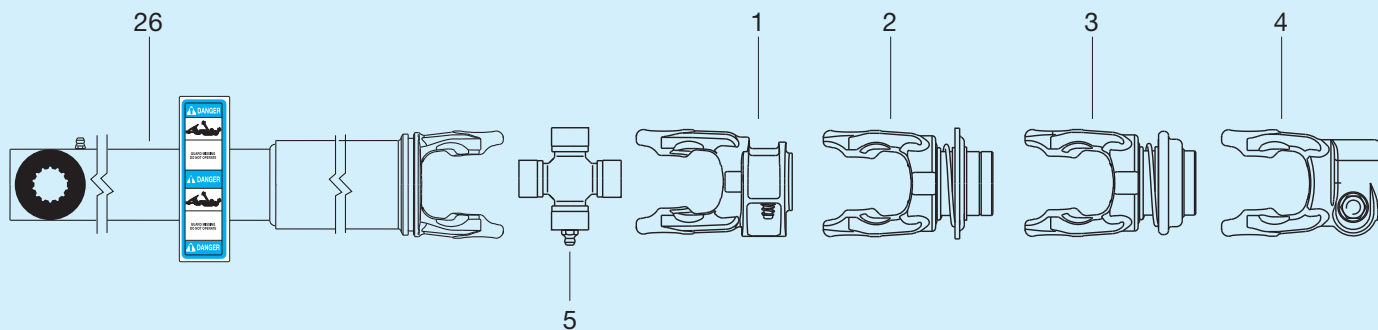
## Splined profile



Guards removed for illustration purposes only. Make sure all driveline, tractor, and equipment shields are in place before operation.

<p style="text-align: center;"><b>23</b></p>  <p style="text-align: center;">JOINT FOR SPLINED BAR</p>	<p style="text-align: center;"><b>24</b></p>  <p style="text-align: center;">ROLL PIN FOR SPLINED BAR</p>	<p style="text-align: center;"><b>25*</b></p>  <p style="text-align: center;">SPLINED BAR</p>	<p style="text-align: center;"><b>26*</b></p>  <p style="text-align: center;">YOKE &amp; SPLINED SLEEVE ASSEMBLY</p>
---	---	---	---
---	---	---	---
---	---	---	---
---	---	---	---
CS6GC059007	345002000R10	<b>D= 40 z= 14</b> 24927....	52AS6....
CH7GC059007	345029000R10	<b>D= 40 z= 14</b> 24927....	52AH7....
CS8GC059007	345002000R10	<b>D= 40 z= 14</b> 24927....	52AS8....
---	---	---	---
CS9GC059007	345034000R10	<b>D= 45 z= 16</b> 24928....	52AS9....
CSHGC059007	345034000R10	<b>D= 45 z= 16</b> 24928....	52ASH....
CS0GC059007	345034000R10	<b>D= 45 z= 16</b> 24928....	52AS0....

\* Complete the code with the length expressed in millimeters.





1		2				3		
1 3/8" Z21	D8x32x38	1 3/8" Z21	D8x32x38	1 3/4" Z6	1 3/4" Z20	1 3/8" Z21	1 3/4" Z6	1 3/4" Z20
5070B3755	5070B2151	5720B3776	---	---	---	---	---	---
5070C3755	5070C2151	5720C3776	---	---	---	---	---	---
5070E3755	5070E2151	5720E3755	5070E2151	---	---	5720E3761	---	---
5070G3755	5070G2151	5720G3755	5070G2151	5720G0455	5720G3855	5720G3761	5720G0461	5720G3861
5070G3755	5070G2151	5720G3755	5070G2151	5720G0455	5720G3855	5720G3761	5720G0461	5720G3861
5070H3755	5070H2151	5720H3755	5070H2151	5720H0455	5720H3855	5720H3761	5720H0461	5720H3861
5070L3755	5070L2151	5720L3755	5070L2151	5720L0455	5720L3855	5720L3761	5720L0461	5720L3861
5070L3755	5070L2151	5720L3755	5070L2151	5720L0455	5720L3855	5720L3761	5720L0461	5720L3861
5070M3755	5070M2151	5720M3751	5070M2151	5720M0451	5720M3851	5720M3761	5720M0461	5720M3861
---	---	5720N3751	---	5720N0451	5720N3851	5720N3752	5720N0452	5720N3852
---	---	5720S3751	---	5720S0451	5720S3851	5720S3752	5720S0452	5720S3852

Taper pin yokes should only be mounted on the implement end of primary driveshafts.

## Quick disconnect (QD) pins

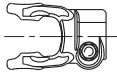
	S1	S2	S4	S5-S6	H7	S8-H8	S9
1 3/8" Z6	403000021R10	403000021R10	403000001R10	403000001R10	403000001R10	403000032R10	403000032R10
1 3/8" Z21	403000021R10	403000021R10	403000001R10	403000001R10	403000001R10	403000032R10	403000032R10
1 3/4" Z6	---	---	---	---	---	---	---
1 3/4" Z20	---	---	---	---	---	---	---

## Tapered pin kits

Use pin that fits completely into hub. Discard other pins and nut.  
Use tapered nut ONLY with pin (C) and yoke with counter-sunk hole.

	S1	S2	S4	S5-S6	H7	S8-H8	S9	SH	S0
1 3/8" Z6	---	---	408000075R	408000075R	408000075R	408000075R	408000075R	---	---
1 3/8" Z21	---	---	408000075R	408000075R	408000075R	408000075R	408000075R	---	---
1 3/4" Z6	---	---	---	408000076R	408000076R	408000076R	408000076R	408000076R	408000076R
1 3/4" Z20	---	---	---	408000076R	408000076R	408000076R	408000076R	408000076R	408000076R

## 4



Single and double joints listed below have a 1-3/8" Z6 shrouded push pin (QD) yoke and a 1-3/8" Z6 splined yoke. Other combinations are available - please inquire.

1 3/8" Z21	1 3/4" Z6	1 3/4" Z20
---	---	---
---	---	---
5090E3760	---	---
5090G3760	5090G0460	5090G3860
5090G3760	5090G0460	5090G3860
5090H3760	5090H0460	5090H3860
5090L3760	5090L0460	5090L3860
5090L3760	5090L0460	5090L3860
5090M3760	5090M0460	5090M3860
---	5090N0460	5090N3860
---	5090S0460	5090S3860

CS1GC027007	I 68 - R 69	I 98 - R 90
	CS1DG027007	CS1GF027007
CS2GC027007	I 78 - R 79	I 108 - R 90
	CS2DG027007	CS2GF027007
CS4GC027007	I 90 - R 94	I 128 - R 100
	CS4DG027007	CS4GF027007
---	---	---
CS6GC027007	I 106 - R 106	I 136 - R 110
	CS6DG027007	CS6GF027007
CH7GC027007	I 108 - R 115	I 154 - R 130
	CH7DG027007	CH7GF027007
CS8GC027007	I 118 - R 116	I 158 - R 148
	CS8DG027007	CS8GF027007
---	---	---
---	---	---
---	---	---
---	---	---

### Ball collar repair kits

	S1	S2	S4	S5-S6	H7	S8-H8	S9	SH	S0
<b>1 3/8" Z6</b>	435000320R	435000320R	435000321R	435000321R	435000321R	435000322R	435000332R	435000328R	435000328R
<b>1 3/8" Z21</b>	435000300R	435000300R	435000321R	435000321R	435000321R	435000322R	435000332R	435000328R	435000328R
<b>1 3/4" Z6</b>	---	---	---	435000418R	435000418R	435000419R	435000425R	435000423R	435000423R
<b>1 3/4" Z20</b>	---	---	---	435000418R	435000418R	435000419R	435000425R	435000423R	435000423R

### Automatic ball collar repair / retrofit kits

	S1	S2	S4	S5-S6	H7	S8-H8	S9	SH	S0
<b>1 3/8" Z6</b>	---	---	435000311R	435000311R	435000311R	435000312R	435000312R	435000328R	435000328R
<b>1 3/8" Z21</b>	---	---	435000311R	435000311R	435000311R	435000312R	435000312R	435000328R	435000328R
<b>1 3/4" Z6</b>	---	---	---	435000411R	435000411R	435000411R	435000411R	435000423R	435000423R
<b>1 3/4" Z20</b>	---	---	---	435000411R	435000411R	435000411R	435000411R	435000423R	435000423R

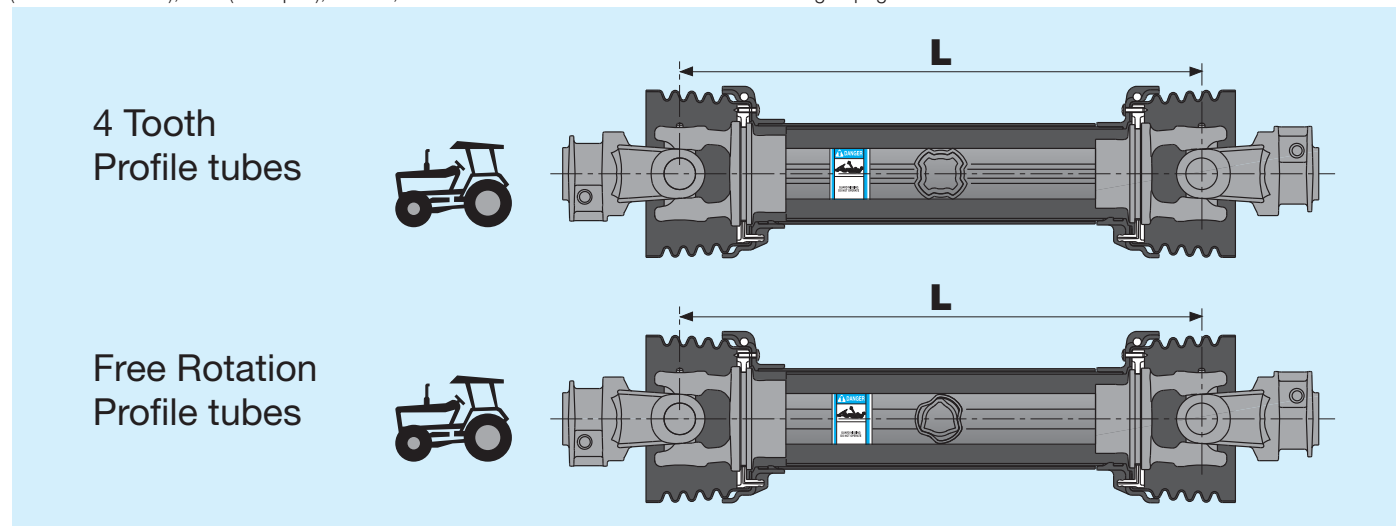
## With 4 tooth profile tubes

061	086	121
610	860	1210
CS1N061CE007007	CS1N086CE007007	CS1N121CE007007
CS2N061CE007007	CS2N086CE007007	CS2N121CE007007
CS4N061CE007007	CS4N086CE007007	CS4N121CE007007
CS5N061CE007007	CS5N086CE007007	CS5N121CE007007
CS6N061CE007007	CS6N086CE007007	CS6N121CE007007
CH7N061CE007007	CH7N086CE007007	CH7N121CE007007
CS8N061CE007007	CS8N086CE007007	CS8N121CE007007
CH8N061CE007007	CH8N086CE007007	CH8N121CE007007
CS9N061CE007007	CS9N086CE007007	CS9N121CE007007
CSHN061CE007007	CSHN086CE007007	CSHN121CE007007
CS0N061CER07R07	CS0N086CER07R07	CS0N121CER07R07

## With Free Rotation profile tubes

061	086	121
610	860	1210
---	---	---
CS2F061CE007007	CS2F086CE007007	CS2F121CE007007
CS4F061CE007007	CS4F086CE007007	CS4F121CE007007
---	---	---
CS6F061CE007007	CS6F086CE007007	CS6F121CE007007
---	---	---
---	---	---
---	---	---
---	---	---
---	---	---
---	---	---
---	---	---
---	---	---
---	---	---
---	---	---
---	---	---

Codes above are equipped with CE mark (includes CE labels, instructions, and declaration of conformity). For other countries, the “CE” may be replaced by “U2” (for North America), “JP” (for Japan), or “FX”, which will have labels and instructions according to pages 2 and 3.

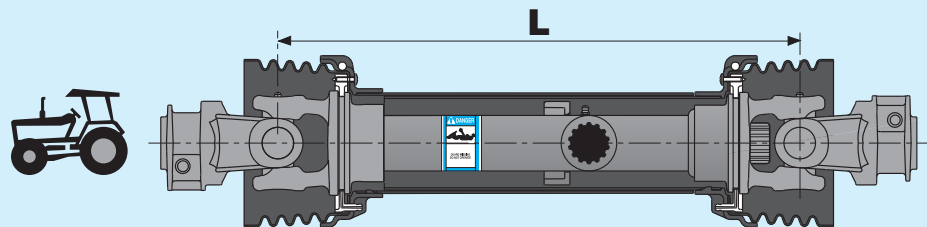


With splined profiles

041	051	061	071
410	510	610	710
---	---	---	---
---	---	---	---
---	---	---	---
---	---	---	---
CS6S041CE007007	CS6S051CE007007	CS6S061CE007007	CS6S071CE007007
CH7S041CE007007	CH7S051CE007007	CH7S061CE007007	CH7S071CE007007
CS8S041CE007007	CS8S051CE007007	CS8S061CE007007	CS8S071CE007007
---	---	---	---
CS9S041CE007007	CS9S051CE007007	CS9S061CE007007	CS9S071CE007007
CSSH041CE007007	CSSH051CE007007	CSSH061CE007007	CSSH071CE007007
CS0S041CER07R07	CS0S051CER07R07	CS0S061CER07R07	CS0S071CER07R07

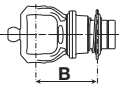
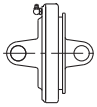
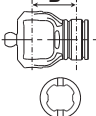
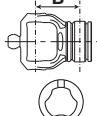
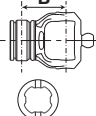
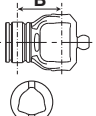
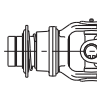
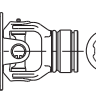
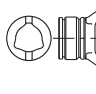
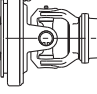
Codes above are equipped with CE mark (includes CE labels, instructions, and declaration of conformity). For other countries, the “CE” may be replaced by “U2” (for North America), “JP” (for Japan), or “FX”, which will have labels and instructions according to pages 2 and 3.

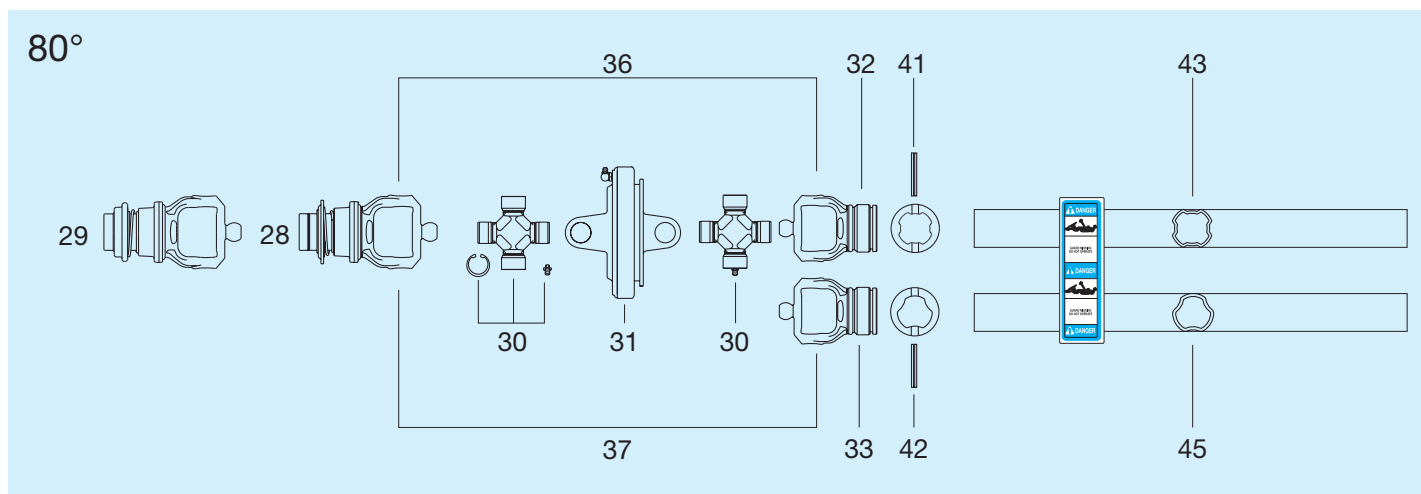
Splined Profiles



# SFT 80° EL CV joints



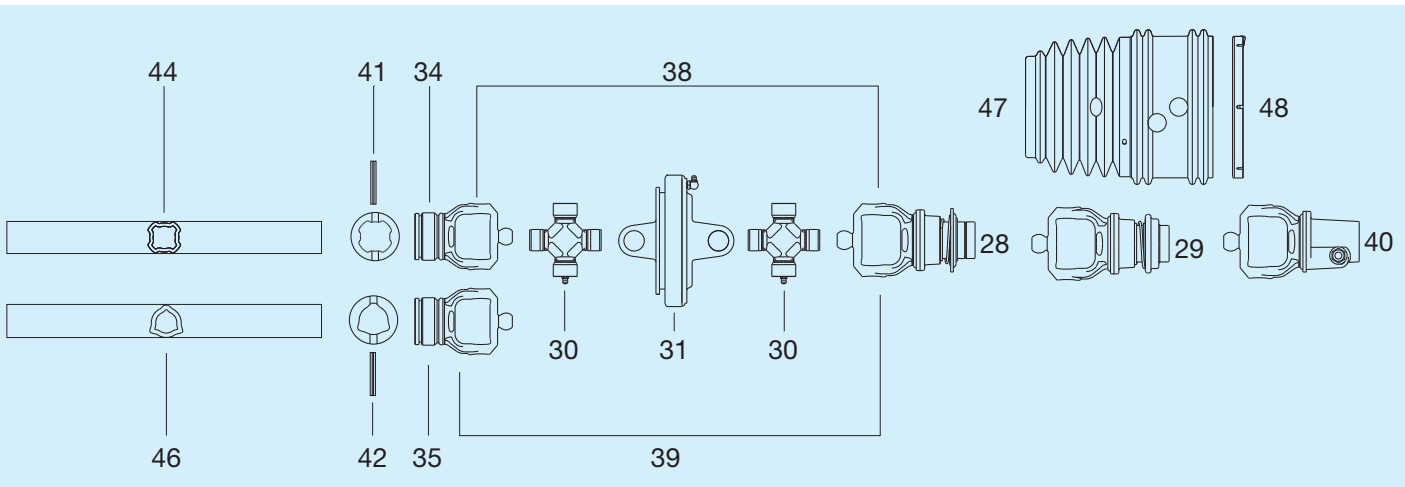
28	31	32	33	34	35	36	38	37	39
 1 3/8" Z6	 CV BODY	 CV OUTER TUBE YOE	 CV OUTER TUBE YOE	 CV INNER TUBE YOE	 CV INNER TUBE YOE	 JOINT FOR OUTER TUBE	 JOINT FOR INNER TUBE	 JOINT FOR OUTER TUBE	 JOINT FOR INNER TUBE
---	---	---	---	---	---	---	---	---	---
B 87 5730C0377	5110C0053	B 75 2150C6871	B 75 2150C6873	B 75 2150C6872	B 74,5 2150C6874	CS2GWW49WR7	CS2GWW50WR7	CS2GWW83WR7	CS2GWW89WR7
B 103 5730E0384		B 76 2150E6871	B 75 2150E6883	B 76 2150E6872	B 75,5 2150E6884	CS4GWW49WR7	CS4GWW50WR7	CS4GWW83WR7	CS4GWW89WR7
---	---	---	---	---	---	---	---	---	---
B 119 5730G0384	5110G0061	B 81 2150G6871	B 81 2150G6883	B 81 2150G6872	B 81 2150G6884	CS6GWW49WR7	CS6GWW50WR7	CS6GWW83WR7	CS6GWW89WR7
B 119 5730G0384		B 81 2150G6882	---	B 81 2150G6895	---	CH7GWW49WR7	CH7GWW50WR7	---	---
B 126 5730L0387	5110L0063	B 89 2150L6871	---	B 89 2150L6872	---	CS8GWW49WS7	CS8GWW50WR7	---	---
B 126 5730L0387		B 89 2150L6867	---	B 89 2150L6868	---	CH8GWW49WS7	CH8GWW50WR7	---	---
B 118 5730M0387	5110M0051	B 93 2150M6851	---	B 93 2150M6852	---	CS9GWW49WS7	CS9GWW50WR7	---	---
B 119 5730N0387		B 93 2150N6851	---	B 93 2150N6852	---	CSHGWW49WS0	CSHGWW50WR0	---	---
---	---	---	---	---	---	---	---	---	---



Guards removed for illustration purposes only. Make sure all driveline, tractor, and equipment shields are in place before operation.

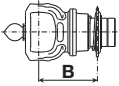
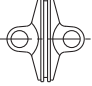

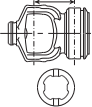
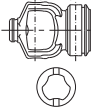
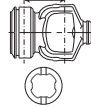
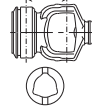
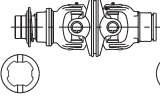

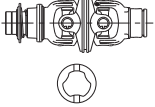
41	42	43	44	45	46	47	48
ROLL PIN FOR 4 TOOTH PROFILE	ROLL PIN FOR FREE ROTATION PROFILE	OUTER DRIVE TUBE - RILSAN	INNER DRIVE TUBE - RILSAN	OUTER DRIVE TUBE - RILSAN	INNER DRIVE TUBE - RILSAN	SHIELD CONE	CV SHIELD CONE BEARING RING
---	---	---	---	---	---	---	---
341038000R10	341038000R10	$D_1=45,60$ $T_1=2,50$ 122223000R06	$D_2=40,10$ $T_2=3,25$ 2454L3000R06	$D_1=40,40$ $T_1=2,85$ 123123000R06	$D_2=29,60$ $T_2=4,25$ 245043000R06	2190E0121	2550E0005R02
341078000R10	341078000R10	$D_1=50,20$ $T_1=2,50$ 122433000R06	$D_2=44,70$ $T_2=3,75$ 2453G3000R06	$D_1=48,00$ $T_1=3,10$ 123143000R06	$D_2=36,60$ $T_2=4,25$ 245103000R06	2190E0121	2550E0005R02
---	---	---	---	---	---	---	---
341103000R10	341103000R10	$D_1=53,90$ $T_1=3,00$ 122463000R06	$D_2=47,40$ $T_2=4,75$ 2453N3000R06	$D_1=58,50$ $T_1=3,35$ 123163000R06	$D_2=45,60$ $T_2=4,45$ 245163000R06	2190G0141	2550G0024R02
341103000R10	---	$D_1=58,20$ $T_1=3,00$ 122253000R06	$D_2=51,70$ $T_2=5,25$ 2454D3000R06	---	---	2190G0141	2550G0024R02
341103000R10	---	$D_1=58,20$ $T_1=3,00$ 122253000R06	$D_2=51,70$ $T_2=5,25$ 2454D3000R06	---	---	2190L0121	2550L0023R02
341103000R10	---	$D_1=66,00$ $T_1=3,25$ 122273000R06	$D_2=59,00$ $T_2=4,75$ 2453V3000R06	---	---	2190L0121	2550L0023R02
341103000R10	---	$D_1=66,00$ $T_1=3,25$ 122273000R06	$D_2=59,00$ $T_2=4,75$ 2453V3000R06	---	---	2190N0122	2550L0023R02
341103000R10	---	$D_1=70,20$ $T_1=3,75$ 122283000R06	$D_2=62,20$ $T_2=6,00$ 2454E3000R06	---	---	2190N0122	2550L0023R02
---	---	---	---	---	---	---	---

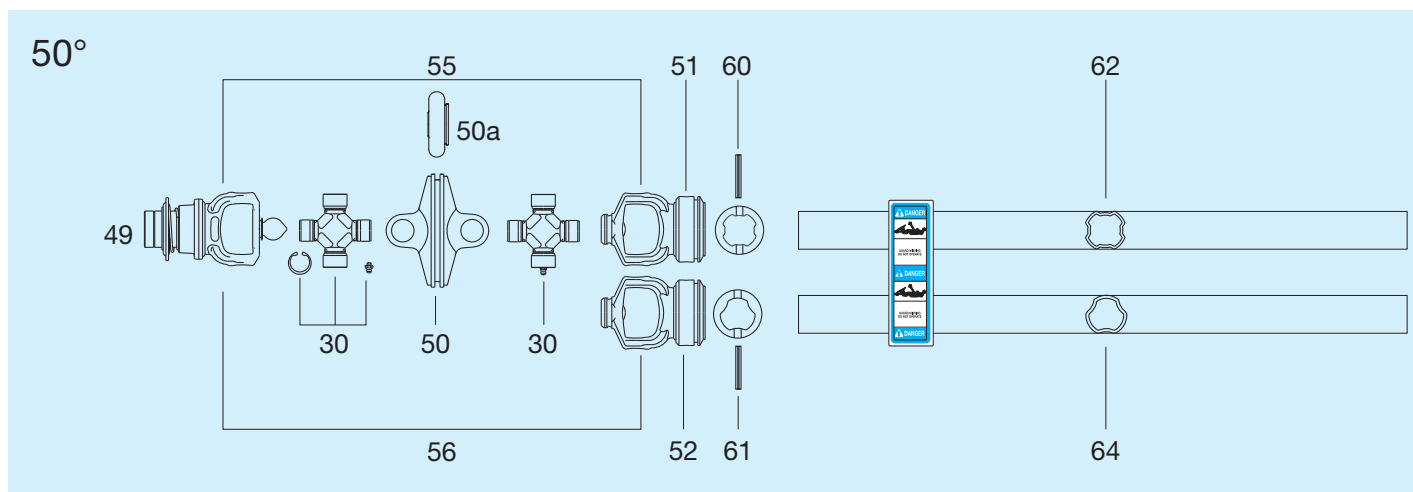
The codes for the tubes reference the 3 meter lengths packaged in multiples of 6 pieces.



# SFT 50° EL CV joints



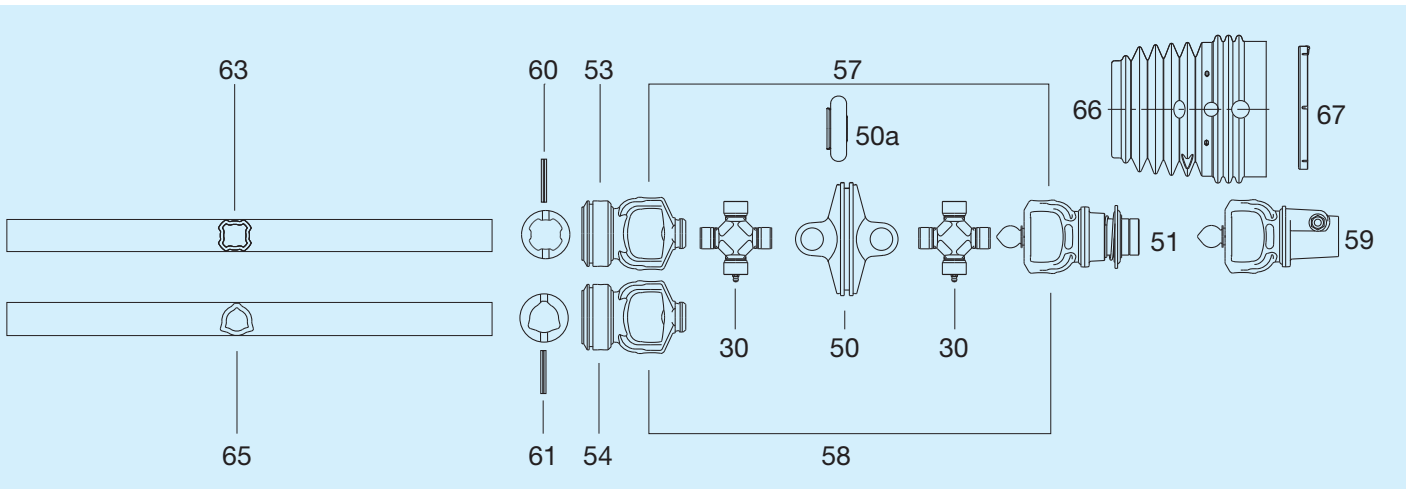
49	50	50a	51	52	53	54	55	57	56
									
1 3/8" Z6	CV BODY	RUBBER BOOT	CV OUTER TUBE YOKE	CV OUTER TUBE YOKE	CV INNER TUBE YOKE	CV INNER TUBE YOKE	CV JOINT OUTER	CV JOINT INNER	CV JOINT INNER
---	---	---	---	---	---	---	---	---	---
---	---	---	---	---	---	---	---	---	---
B 95 5730E0353	2080E0055	246000101	B 67 2080E6863	B 67 2080E6873	B 67 2080E6864	B 67 2080E6874	CS4GKK49KR7	CS4GKK50KR7	CS4GKK83KR7
---	---	---	---	---	---	---	---	---	---
B 114 5730G0353	2080G0064	246000116	B 77 2080G6869	B 77 2080G6880	B 77 2080G6870	B 77 2080G6881	CS6GKK49KR7	CS6GKK50KR7	CS6GKK83KR7
B 114 5730G0353	2080G0064	246000116	B 77 2080G6873	---	B 77 2080G6874	---	CH7GKK49KR7	CH7GKK50KR7	---
B 114 5730L0353	2080L0064	246000116	B 77 2080L6861	---	B 77 2080L6862	---	CS8GKK49KR7	CS8GKK50KR7	---
B 114 5730L0353	2080L0064	246000116	B 77 2080L6866	---	B 77 2080L6867	---	CH8GKK49KR7	CH8GKK50KR7	---
B 113 5730N0355	2080N0051	246000118	B 89 2080N6853	---	B 89 2080N6854	---	CS9GKK49KR7	CS9GKK50KR7	---
B 113 5730N0355	2080N0051	246000118	B 92 2080N6851	---	B 92 2080N6852	---	CSHGKK49KR0	CSHGKK50KR0	---
---	---	---	---	---	---	---	---	---	---



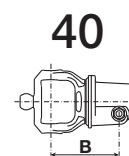
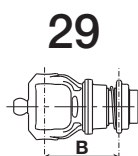
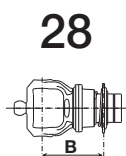
Guards removed for illustration purposes only. Make sure all driveline, tractor, and equipment shields are in place before operation.

58	60	61	62	63	64	65	66	67
CV JOINT OUTER	ROLL PIN FOR 4 TOOTH PROFILE	ROLL PIN FREE ROTATION PROFILE	OUTER DRIVE TUBE	INNER DRIVE TUBE	OUTER DRIVE TUBE	INNER DRIVE TUBE	SHIELD CONE	CV SHIELD CONE BEARING RING
---	---	---	---	---	---	---	---	---
---	---	---	---	---	---	---	---	---
CS4GKK89KR7	341078000R10	341078000R10	$D_1=50,20$ $T_1=2,50$ 122423000R06	$D_2=44,70$ $T_2=3,75$ 122413000R06	$D_1=48,00$ $T_1=3,10$ 123143000R06	$D_2=36,60$ $T_2=4,25$ 125073000R06	2190E0124	2550E0005R02
---	---	---	---	---	---	---	---	---
CS6GKK89KR7	341103000R10	341103000R10	$D_1=53,90$ $T_1=3,00$ 122453000R06	$D_2=47,40$ $T_2=4,75$ 122443000R06	$D_1=58,50$ $T_1=3,35$ 123163000R06	$D_2=45,60$ $T_2=4,45$ 125093000R06	2190G0143	2550G0024R02
---	341103000R10	---	$D_1=58,20$ $T_1=3,00$ 122663000R06	$D_2=51,70$ $T_2=5,25$ 122653000R06	---	---	2190G0143	2550G0024R02
---	341103000R10	---	$D_1=58,20$ $T_1=3,00$ 122093000R06	$D_2=51,70$ $T_2=5,25$ 122513000R06	---	---	2190G0143	2550G0024R02
---	341103000R10	---	$D_1=66,00$ $T_1=3,25$ 122113000R06	$D_2=59,00$ $T_2=4,75$ 122383000R06	---	---	2190G0143	2550G0024R02
---	341103000R10	---	---	---	---	---	2190N0121	2550L0023R02
---	341103000R10	---	$D_1=70,20$ $T_1=3,75$ 122133000R06	$D_2=62,20$ $T_2=6,00$ 122553000R06	---	---	2190N0121	2550L0023R02
---	---	---	---	---	---	---	---	---

The codes for the tubes reference the 3 meter lengths packaged in multiples of 6 pieces.







1 3/8" Z21	1 3/4" Z6	1 3/4" Z20	1 3/8" Z6	1 3/8" Z21	1 3/4" Z6	1 3/4" Z20	1 3/8" Z6	1 3/8" Z21	1 3/4" Z6	1 3/4" Z20
---	---	---	---	---	---	---	---	---	---	---
B 87	---	---	---	---	---	---	---	---	---	---
5730C3789	---	---	---	---	---	---	---	---	---	---
B 91	B 109	B 109	B 103	B 91	B 109	B 109	B 103	B 91	---	---
5730E3784	5730E0484	5730E3884	5730E0391	5730E3791	5730E0491	5730E3891	5110E0361	5110E3761	---	---
---	---	---	---	---	---	---	---	---	---	---
B 106	B 120	B 120	B 119	B 106	B 120	B 120	B 119	B 106	B 120	B 120
5730G3784	5730G0484	5730G3884	5730G0391	5730G3791	5730G0491	5730G3891	5110G0361	5110G3761	5110G0461	5110G3861
B 106	B 120	B 120	B 119	B 106	B 120	B 120	B 119	B 106	B 120	B 120
5730G3784	5730G0484	5730G3884	5730G0391	5730G3791	5730G0491	5730G3891	5110G0361	5110G3761	5110G0461	5110G3861
B 114	B 127	B 127	B 126	B 114	B 127	B 127	B 126	B 114	B 127	B 127
5730L3784	5730L0484	5730L3887	5730L0391	5730L3791	5730L0491	5730L3891	5110L0361	5110L3761	5110L0461	5110L3861
B 114	B 127	B 127	B 126	B 114	B 127	B 127	B 126	B 114	B 127	B 127
5730L3784	5730L0484	5730L3887	5730L0391	5730L3791	5730L0491	5730L3891	5110L0361	5110L3761	5110L0461	5110L3861
B 108	B 126	B 126	B 118	B 108	B 126	B 126	B 126	B 126	B 126	B 126
5730M3776	5730M0476	5730M3887	5730M0391	5730M3791	5730M0491	5730M3891	5110M0351	5110M3751	5110M0451	5110M3851
B 109	B 127	B 127	B 119	B 109	B 127	B 127	B 127	B 127	B 127	B 126
5730N3776	5730N0476	5730N3887	5730N0391	5730N3791	5730N0491	5730N3891	5110N0351	5110N3751	5110N0451	5110N3851
---	---	---	---	---	---	---	---	---	---	---

## Ball collar repair kits



Taper pin yokes should only be mounted on the implement end of primary driveshafts.

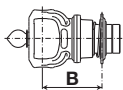
	S1	S2	S4	S5	S6-H7	S8-H8	S9	SH	S0
<b>1 3/8" Z6</b>	---	435000323R	435000323R	---	435000323R	435000323R	435000323R	435000323R	---
<b>1 3/8" Z21</b>	---	435000323R	435000323R	---	435000323R	435000323R	435000323R	435000323R	---
<b>1 3/4" Z6</b>	---	---	435000420R	---	435000420R	435000420R	435000420R	435000420R	---
<b>1 3/4" Z20</b>	---	---	435000420R	---	435000420R	435000420R	435000420R	435000420R	---

## Automatic ball collar repair / retrofit kits

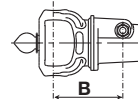


	S1	S2	S4	S5	S6-H7	S8-H8	S9	SH	S0
<b>1 3/8" Z6</b>	---	---	435000311R	---	435000311R	435000311R	435000311R	435000311R	---
<b>1 3/8" Z21</b>	---	---	435000311R	---	435000311R	435000311R	435000311R	435000311R	---
<b>1 3/4" Z6</b>	---	---	435000411R	---	435000411R	435000411R	435000411R	435000411R	---
<b>1 3/4" Z20</b>	---	---	435000411R	---	435000411R	435000411R	435000411R	435000411R	---

## 49



## 59



1 3/8" Z21	1 3/4" Z6	1 3/4" Z20	1 3/8" Z6	1 3/8" Z21	1 3/4" Z6	1 3/4" Z20
---	---	---	---	---	---	---
---	---	---	---	---	---	---
B 82	B 100	B 100	B 95	B 82	---	---
5730E3753	5730E0453	5730E3853	5190E0352	5190E3752	---	---
---	---	---	---	---	---	---
B 102	B 115	B 115	B 114	B 102	B 115	B 115
5730G3753	5730G0453	5730G3853	5190G0352	5190G3752	5190G0452	5190G3852
B 102	B 115	B 115	B 114	B 102	B 115	B 115
5730G3753	5730G0453	5730G3853	5190G0352	5190G3752	5190G0452	5190G3852
B 102	B 115	B 115	B 114	B 102	B 115	B 115
5730L3753	5730L0453	5730L3853	5190L0352	5190L3752	5190L0452	5190L3852
B 102	B 115	B 115	B 114	B 102	B 115	B 115
5730L3753	5730L0453	5730L3853	5190L0352	5190L3752	5190L0452	5190L3852
B 103	B 121	B 121	B 121	B 121	B 121	B 121
5730L3753	5730L0453	5730L3853	5190N0351	5190N3751	5190N0451	5190N3851
B 103	B 121	B 121	B 121	B 121	B 121	B 121
5730N3753	5730N0453	5730N3853	5190N0351	5190N3751	5190N0451	5190N3851
---	---	---	---	---	---	---

Taper pin yokes should only be mounted on the implement end of primary driveshafts.

### Tapered pin kits

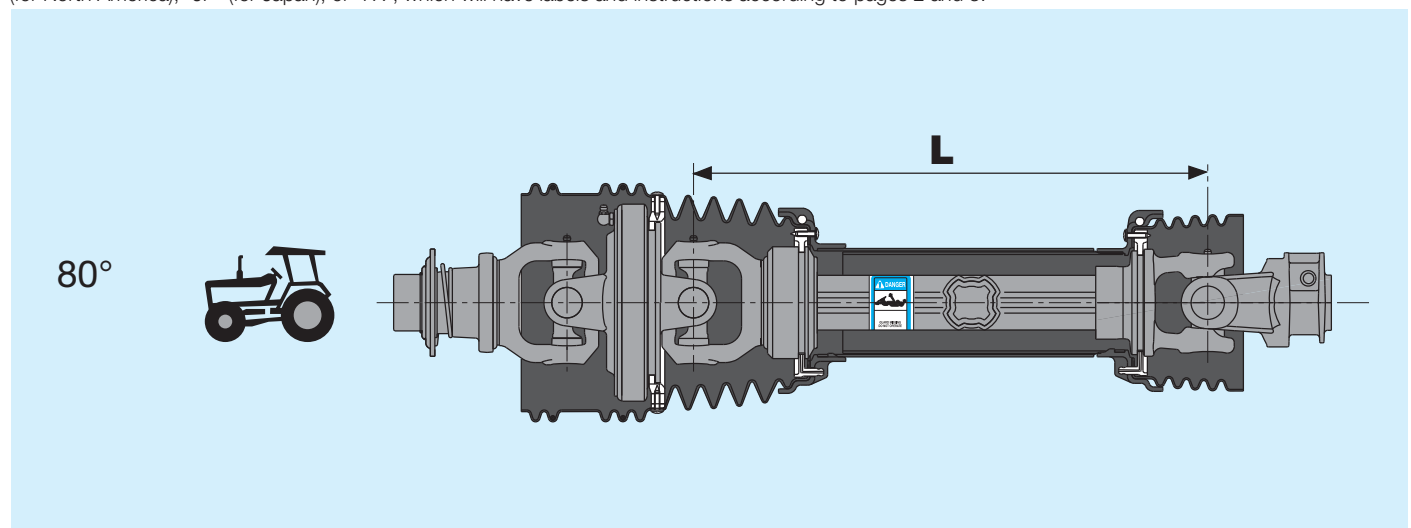
Use pin that fits completely into hub. Discard other pins and nut. Use tapered nut ONLY with pin (C) and yoke with counter-sunk hole.

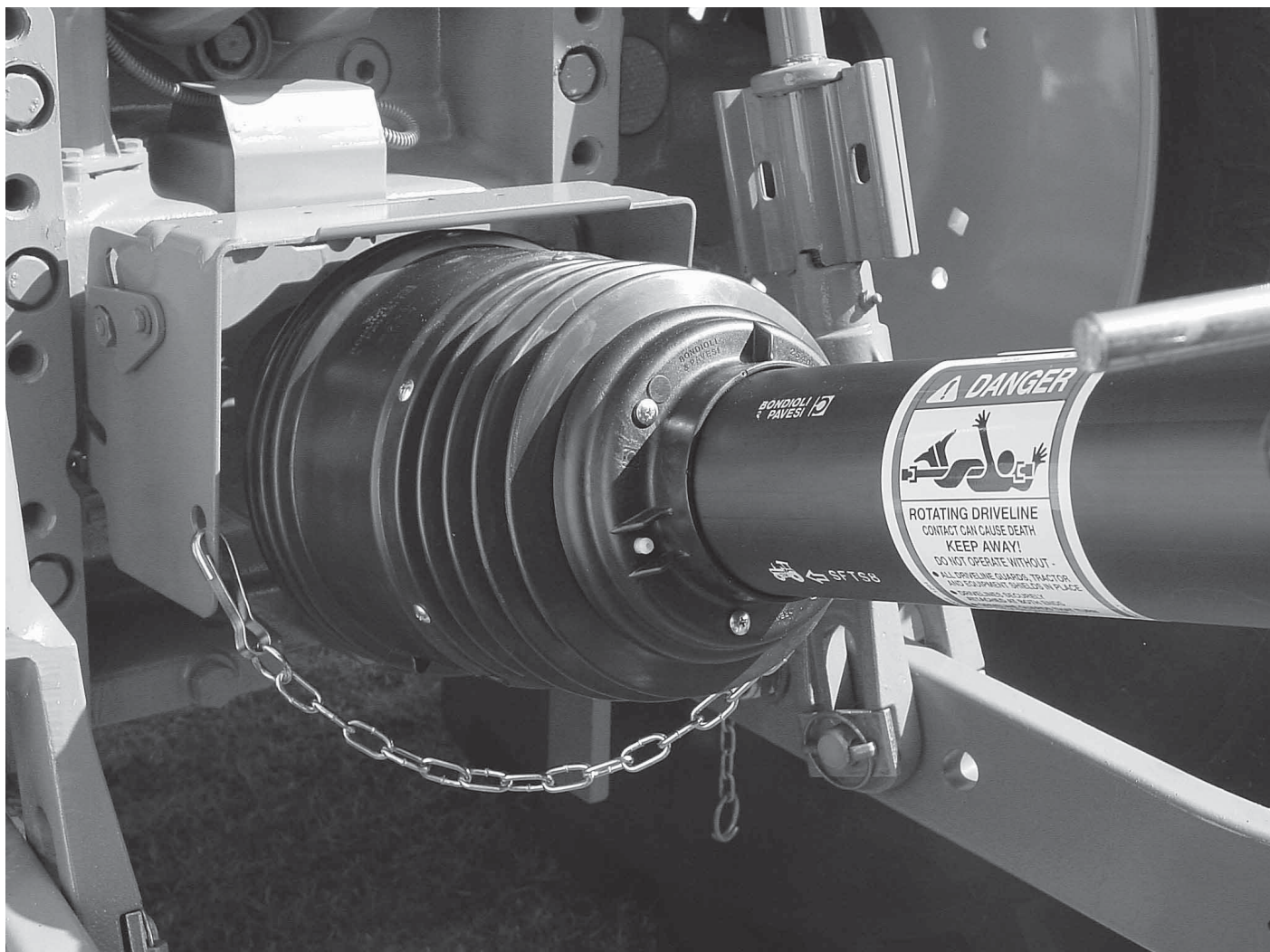
	S1	S2	S4	S5	S6-H7	S8-H8	S9	SH	S0
1 3/8" Z6	---	---	408000075R	---	408000075R	408000075R	408000075R	408000075R	---
1 3/8" Z21	---	---	408000075R	---	408000075R	408000075R	408000075R	408000075R	---
1 3/4" Z6	---	---	---	---	408000076R	408000076R	408000076R	408000076R	---
1 3/4" Z20	---	---	---	---	408000076R	408000076R	408000076R	408000076R	---

## Complete driveshafts

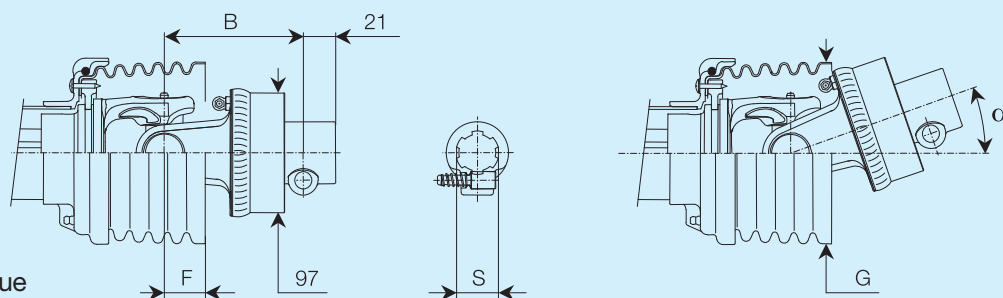
071	081	086	101	121
710	810	860	1010	1210
---	---	---	---	---
CS2R071CEWR7007	CS2R081CEWR7007	CS2R086CEWR7007	CS2R101CEWR7007	CS2R121CEWR7007
CS4R071CEWR7007	CS4R081CEWR7007	CS4R086CEWR7007	CS4R101CEWR7007	CS4R121CEWR7007
---	---	---	---	---
CS6R071CEWR7007	CS6R081CEWR7007	CS6R086CEWR7007	CS6R101CEWR7007	CS6R121CEWR7007
CH7R071CEWR7007	CH7R081CEWR7007	CH7R086CEWR7007	CH7R101CEWR7007	CH7R121CEWR7007
CS8R071CEWS7007	CS8R081CEWS7007	CS8R086CEWS7007	CS8R101CEWS7007	CS8R121CEWS7007
CH8R071CEWS7007	CH8R081CEWS7007	CH8R086CEWS7007	CH8R101CEWS7007	CH8R121CEWS7007
CS9R071CEWS7007	CS9R081CEWS7007	CS9R086CEWS7007	CS9R101CEWS7007	CS9R121CEWS7007
CSHR071CEWS7R07	CSHR081CEWS7R07	CSHR086CEWS7R07	CSHR101CEWS7R07	CSHR121CEWS7R07
---	---	---	---	---

Codes above are equipped with CE mark (includes CE labels, instructions, and declaration of conformity). For other countries, the "CE" may be replaced by "U2" (for North America), "JP" (for Japan), or "FX", which will have labels and instructions according to pages 2 and 3.





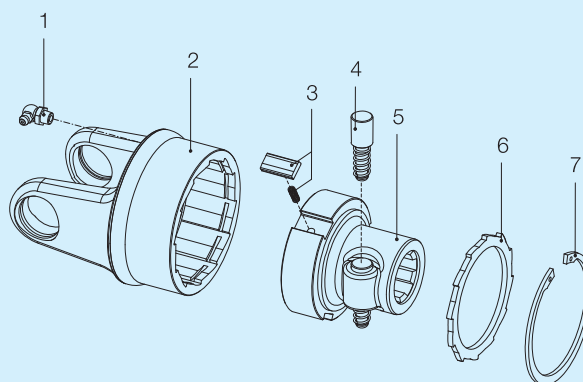
## RA1



Maximum torque  
2400 Nm

Size	B (mm)				F mm	G mm	$\alpha$ °	Spare parts code				
	1 3/8" Z6	1 3/8" Z21	1 3/4" Z6	1 3/4" Z20				1 3/8" Z6	1 3/8" Z6 (SX)	1 3/8" Z21	1 3/4" Z6	1 3/4" Z20
S1	94	94	---	---	23	129	22°	601101701R	602101701R	601101702R	---	---
S2	100	100	---	---	42	146	20°	601102701R	602102701R	601102702R	---	---
S4	109	109	---	---	37	146	24°	601104701R	602104701R	601104702R	---	---
S5	112	112	---	---	33	146	24°	601105704R	602105701R	601105702R	---	---

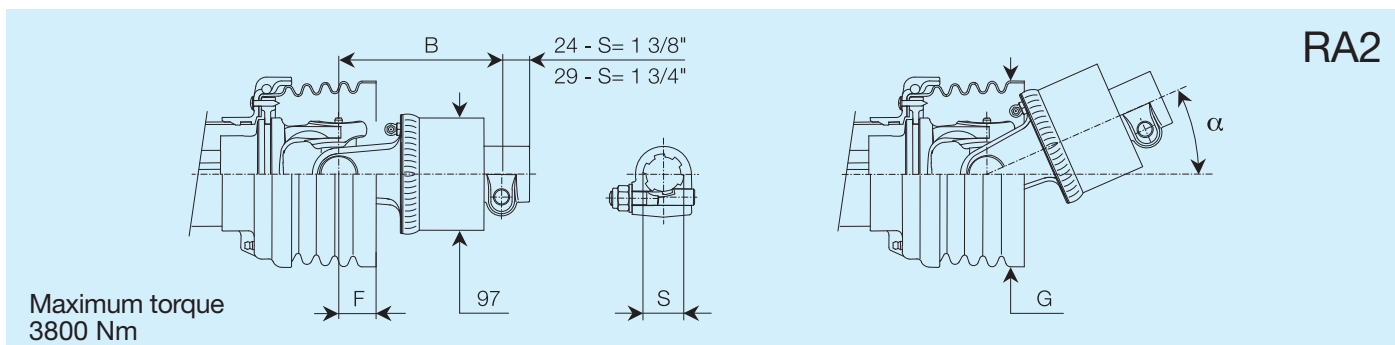
The codes in columns with heading **(SX)** are for counter-clockwise rotation. All other codes are for clockwise rotation.



Ref.	Size	Spare parts code	Description	Technical data
1		348014000R20	Grease fitting	
2	S1	418011201R	Outer housing + yoke	
	S2	418021201R		
	S4	418041203R		
	S5	418051201R		
3		4210C0001R03	Pawl + spring kit	L = 22,8
4		403000001R10	Push-pin kit	
5		5130C0301R	Hub with push-pin	1 3/8" Z6
		5130C3701R		1 3/8" Z21
6		246000132R02	Locking plate	
7		338005000R20	Snap ring	82 x 2.5 DIN 472/1

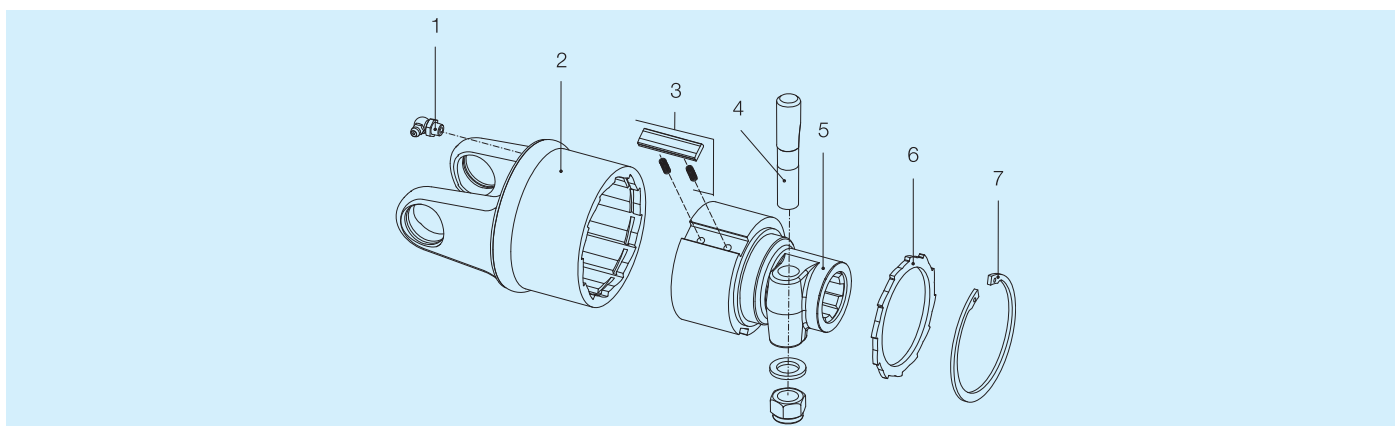
For primary drivelines, always install any torque limiter or overrunning clutch on the implement side.  
All rotating parts must be guarded.

RA2



Size	B (mm)				F	G	$\alpha$	Spare parts code				
	S	S	S	S				1 3/8" Z6	1 3/8" Z6 (SX)	1 3/8" Z21	1 3/4" Z6	1 3/4" Z20
S6	140	140	142	142	32	160	32°	601205601R	602205601R	601205602R	601205603R	601205604R
H7	147	147	149	149	29	160	29°	601206601R	602206601R	601206602R	601206603R	601206604R
S8	160	160	162	162	42	160	28°	601217601R	---	601217602R	601217603R	601217604R

The codes in columns with heading **(SX)** are for counter-clockwise rotation. All other codes are for clockwise rotation.

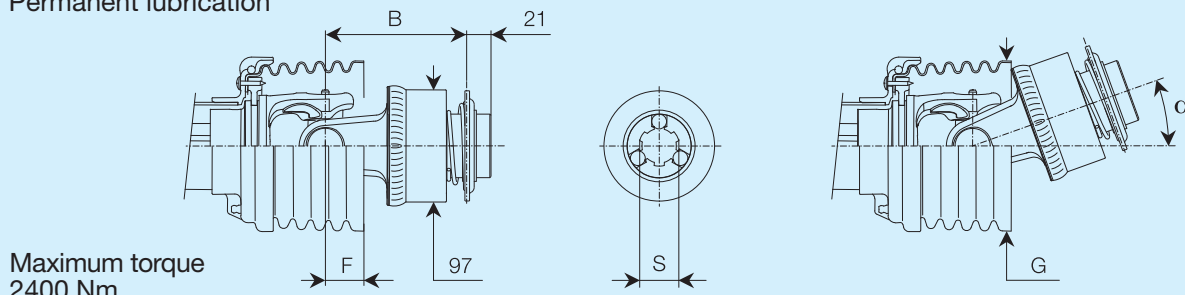


Ref.	Size	Spare parts code	Description	Technical data
1		348014000R20	Grease fitting	
2	S6	418052203R	Outer housing + yoke	
	H7	418062203R		
	S8	418172203R		
3		4210E0001R03	Pawl + spring kit	L = 42,8
4		408000047R02	Taper pin + washer + nut	1 3/8" Z6 - Z21
		408000046R02		1 3/4" Z6 - Z20
5		5150E0301R	Hub with taper pin	1 3/8" Z6
		5150E3701R		1 3/8" Z21
		5150E0401R		1 3/4" Z6
		5150E3801R		1 3/4" Z20
6		246000132R02	Locking plate	1 3/8" Z6 - Z21
		246000134R02	Split locking plate	1 3/4" Z6 - Z20
7		338005000R20	Snap ring	82 x 2.5 DIN 472/1

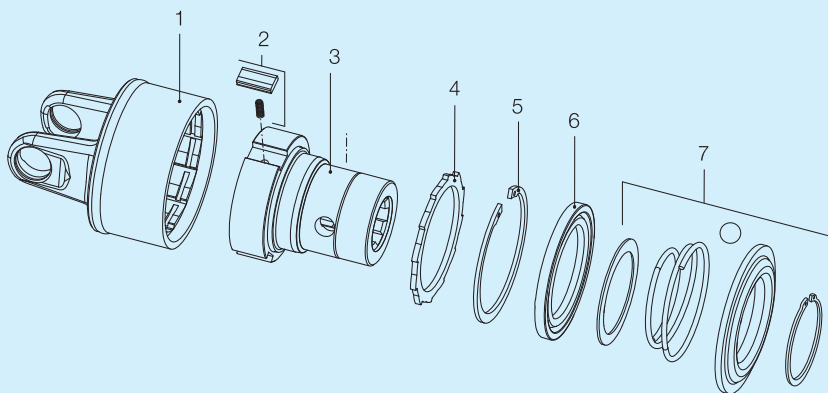
For primary drivelines, always install any torque limiter or overrunning clutch on the implement side. All rotating parts must be guarded.

## RL1

Permanent lubrication



Size	B (mm)				F mm	G mm	$\alpha$ °	Spare parts code			
	S 1 3/8" Z6	S 1 3/8" Z21	S 1 3/4" Z6	S 1 3/4" Z20				1 3/8" Z6	1 3/8" Z21	1 3/4" Z6	1 3/4" Z20
S1	103	103	---	---	23	129	22°	60150B401R	60150B402R	---	---
S2	109	109	---	---	42	146	20°	60150C401R	60150C402R	---	---
S4	118	118	---	---	37	146	24°	60150E401R	60150E402R	---	---
S5	121	121	---	---	33	146	24°	60150G401R	60150G402R	---	---

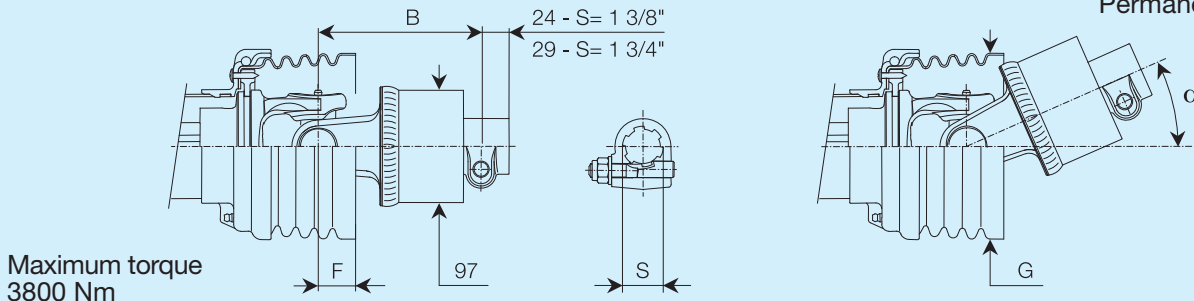


Ref.	Size	Spare parts code	Description	Technical data
1	S1	4180B5001R	Outer housing + yoke	
	S2	4180C5001R		
	S4	4180E5001R		
	S5	4180G5001R		
2		4210C0001R03	Pawl + spring kit	L = 22,8
3		2270C0303R	Hub	1 3/8" Z6
		2270C3703R		1 3/8" Z21
4		246000132R02	Locking plate	
5		338005000R20	Snap ring	82 x 2.5 DIN 472/1
6		359005901R02	Retaining ring	
7		435000331R	RT ball collar kit	1 3/8" Z6 - Z21

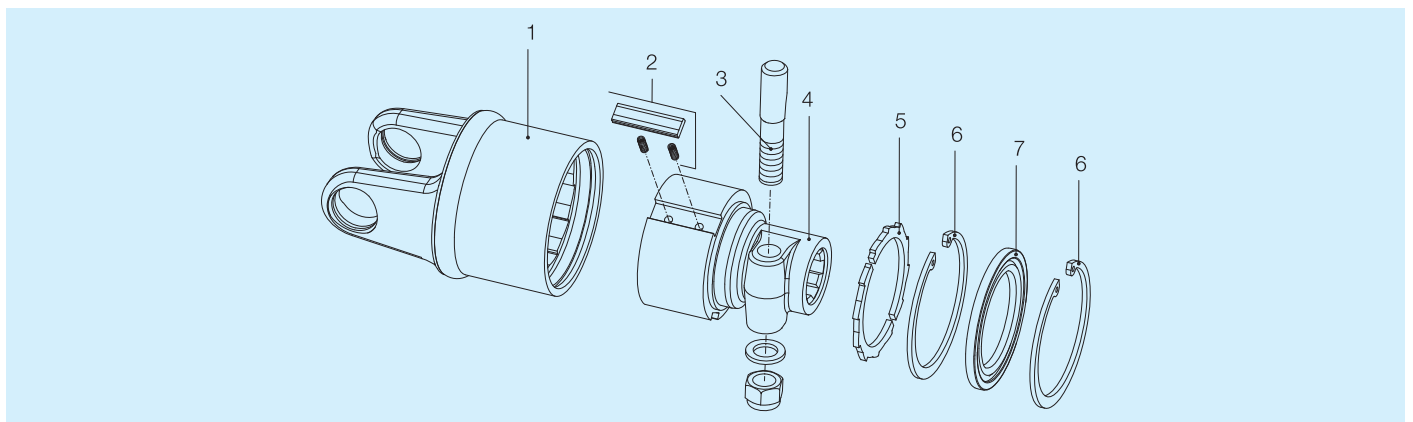
For primary drivelines, always install any torque limiter or overrunning clutch on the implement side.  
All rotating parts must be guarded.

## RL2

Permanent lubrication



Size	B (mm)				F mm	G mm	$\alpha$ °	Spare parts code			
	S 1 3/8" Z6	S 1 3/8" Z21	S 1 3/4" Z6	S 1 3/4" Z20				1 3/8" Z6	1 3/8" Z21	1 3/4" Z6	1 3/4" Z20
S6	140	140	142	142	32	160	32°	60160G601R	60160G602R	60160G603R	60160G604R
H7	147	147	149	149	29	160	29°	60160H601R	60160H602R	60160H603R	60160H604R
S8	160	160	162	162	42	160	28°	60160L601R	60160L602R	60160L603R	60160L604R



Ref.	Size	Spare parts code	Description	Technical data
1	S6	4180G6001R	Outer housing + yoke	
	H7	4180H6001R		
	S8	4180L6001R		
2		4210E0001R03	Pawl + spring kit	L = 42,8
3		408000047R02	Taper pin + washer + nut	1 3/8" Z6 - Z21
		408000046R02		1 3/4" Z6 - Z20
4		5150E0301R	Hub with taper pin	1 3/8" Z6
		5150E3701R		1 3/8" Z21
		5150E0401R		1 3/4" Z6
		5150E3801R		1 3/4" Z20
5		246000132R02	Locking plate	1 3/8" Z6 - Z21
		246000134R02	Split locking plate	1 3/4" Z6 - Z20
6		338046000R20	Snap ring	88 x 3 DIN 472/1
7		359005900R02	Retaining ring	

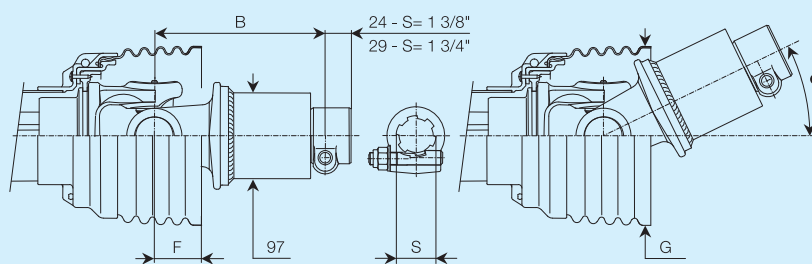
For primary drivelines, always install any torque limiter or overrunning clutch on the implement side.  
All rotating parts must be guarded.



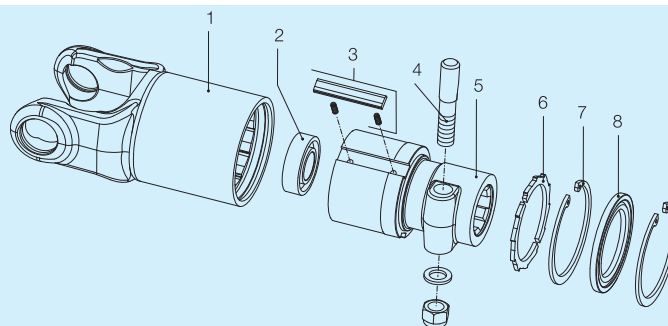
## RL3

Permanent lubrication

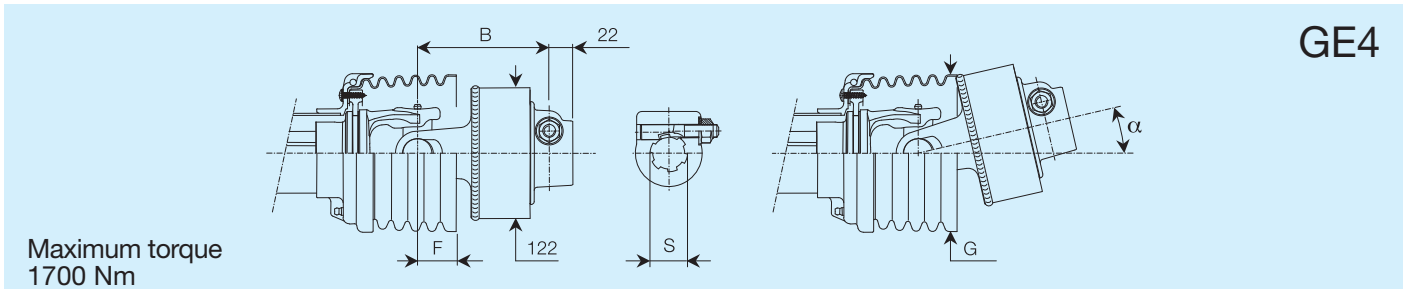
Maximum torque  
6200 Nm



Size	B (mm)				F mm	G mm	$\alpha$ °	Spare parts code			
	S 1 3/8" Z6	S 1 3/8" Z21	S 1 3/4" Z6	S 1 3/4" Z20				1 3/8" Z6	1 3/8" Z21	1 3/4" Z6	1 3/4" Z20
<b>H8</b>	180	180	182	182	42	160	28°	60170L503R	60170L502R	60170L501R	60170L504R
<b>S9</b>	191	191	193	193	49	180	26°	60170M501R	60170M502R	60170M503R	60170M504R
<b>SH</b>	190	190	192	192	50	201	35°	60170N501R	60170N502R	60170N503R	60170N504R
<b>S0</b>	200	200	202	202	46	201	36°	60170S501R	60170S502R	60170S503R	60170S504R



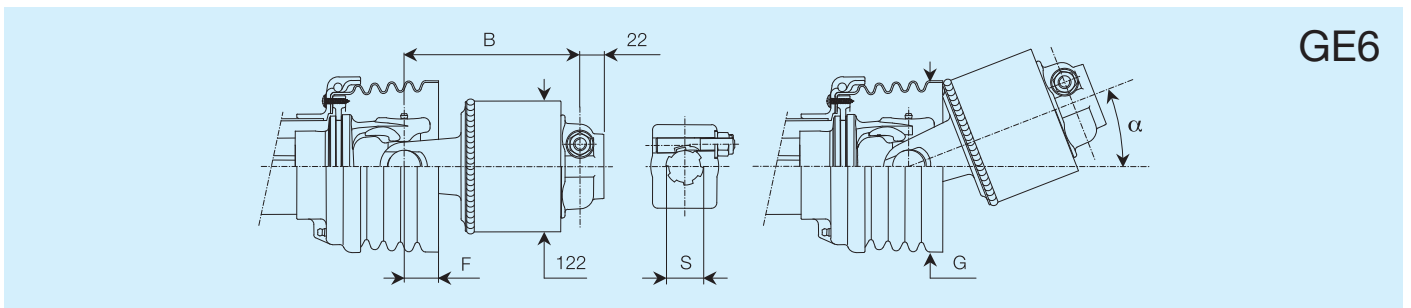
Ref.	Size	Spare parts code	Description	Technical data
1	<b>H8</b>	4180L7001R	Outer housing + yoke	
	<b>S9</b>	4180M7001R		
	<b>SH</b>	4180N7001R		
	<b>S0</b>	4180S7001R		
2		354110025	Bearing	6205 (25 x 52 x 15)
3	<b>H8 - S9</b>	4210G0001R03	Pawl + spring (3 pawl)	L = 62,8
	<b>SH - S0</b>	4210G0001R04	Pawl + spring (4 pawl)	L = 62,8
4		408000047R02	Taper pin + washer + nut	1 3/8" Z6 - Z21
		408000046R02		1 3/4" Z6 - Z20
5	<b>H8 - S9</b>	5150G0306R	Hub with taper pin	1 3/8" Z6
		5150G3706R		1 3/8" Z21
		5150G0406R		1 3/4" Z6
		5150G3806R		1 3/4" Z20
	<b>SH - S0</b>	5150G0307R		1 3/8" Z6
		5150G3707R		1 3/8" Z21
		5150G0407R		1 3/4" Z6
		5150G3807R		1 3/4" Z20
6		246000132R02	Locking plate	1 3/8" Z6 - Z21
		246000134R02	Split locking ring	1 3/4" Z6 - Z20
7		338046000R20	Snap ring	88 x 3 DIN 472/1
8		359005900R02	Retaining ring	



**GE4**

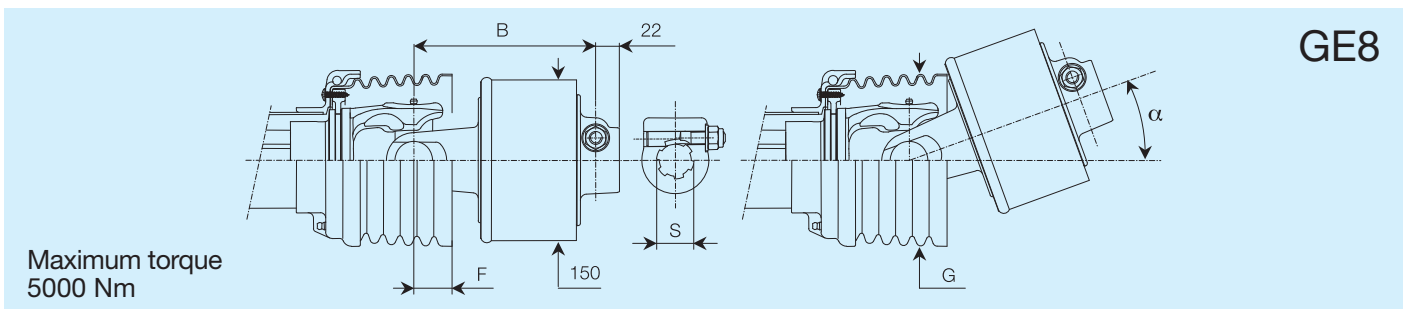
Maximum torque  
1700 Nm

Size	B (mm)				Spare parts code			
	S 1 3/8" Z6	S 1 3/8" Z21	S 1 3/4" Z6	S 1 3/4" Z20	1 3/8" Z6	1 3/8" Z21	1 3/4" Z6	1 3/4" Z20
S4	125	125	---	---	608E46501R	608E46502R	---	---
S5	134	134	---	---	608G46501R	608G46502R	---	---



**GE6**

Size	Maximum torque	B (mm)				Spare parts code			
		S 1 3/8" Z6	S 1 3/8" Z21	S 1 3/4" Z6	S 1 3/4" Z20	1 3/8" Z6	1 3/8" Z21	1 3/4" Z6	1 3/4" Z20
S6	1700 Nm	164	164	164	164	608G65501R	608G65502R	608G65503R	608G65504R
H7	3000 Nm	170	170	170	170	608H66501R	608H66502R	608H66503R	608H66504R

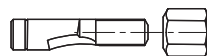


**GE8**

Maximum torque  
5000 Nm

Size	B (mm)				Spare parts code			
	S 1 3/8" Z6	S 1 3/8" Z21	S 1 3/4" Z6	S 1 3/4" Z20	1 3/8" Z6	1 3/8" Z21	1 3/4" Z6	1 3/4" Z20
S8	170	170	170	170	608L86501R	608L86502R	608L86503R	608L86504R
H8	170	170	170	170	608L86501R	608L86502R	608L86503R	608L86504R
S9	170	170	170	170	608M86501R	608M86502R	608M86503R	608M86504R

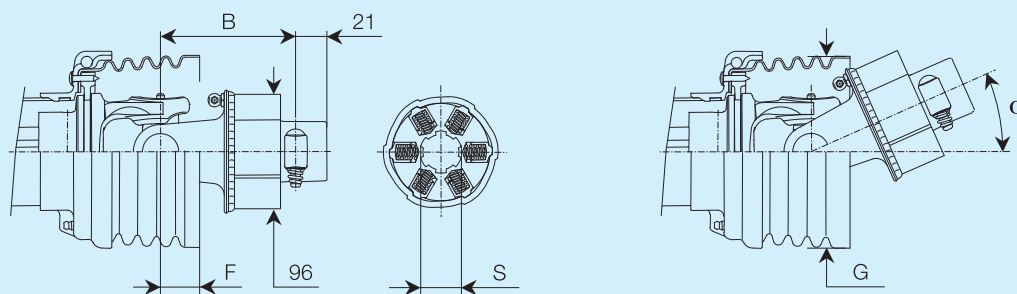
Taper pin



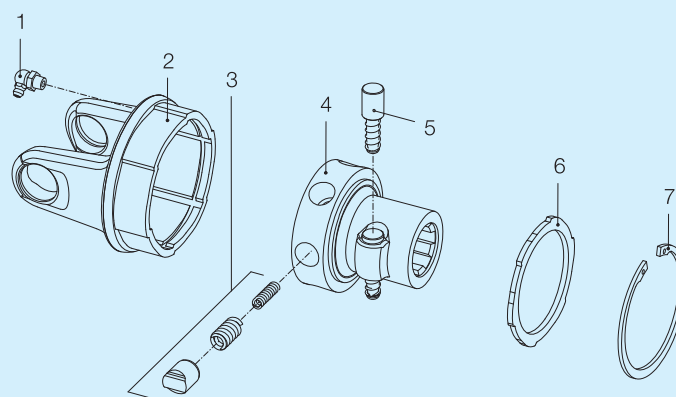
1 3/8" Z6	1 3/8" Z21	1 3/4" Z6	1 3/4" Z20
408000047R02	408000047R02	408000046R02	408000046R02

## SA1

One-way



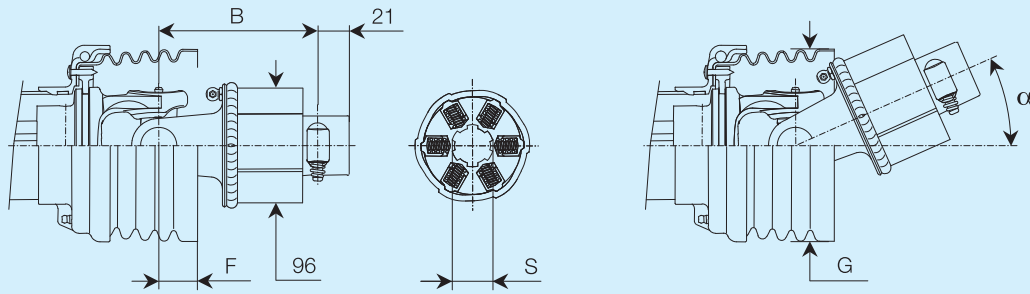
Size	Torque Nm	B (mm)				F mm	G mm	$\alpha$ °	Spare parts code			
		S 1 3/8" Z6	S 1 3/8" Z21	S 1 3/4" Z6	S 1 3/4" Z20				1 3/8" Z6	1 3/8" Z21	1 3/4" Z6	1 3/4" Z20
S1	400	94	---	---	---	23	129	21°	610124001R	---	---	---



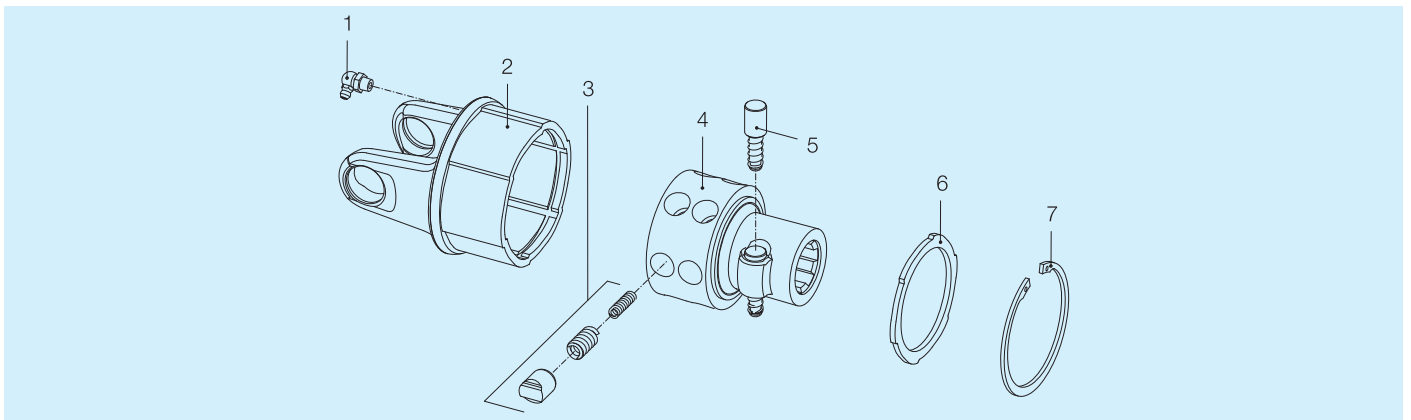
Ref.	Size	Spare parts code	Description	Technical data
1		348014000R20	Grease fitting	
2	S1	422011020R	Outer housing + yoke	
3		421340001R06	Ratchet + spring kit	
4		513340302R	Hub with push-pin	1 3/8" Z6
5		403000001R10	Push-pin kit	
6		240000033R02	Locking plate	
7		338005000R20	Snap ring	82 x 2.5 DIN 472/1

For primary drivelines, always install any torque limiter or overrunning clutch on the implement side. All rotating parts must be guarded. Ratchet torque limiters should be used only on drivelines operating at speeds less than 700 min<sup>-1</sup>.

## SA2 One-way



Size	Torque Nm	B (mm)				F mm	G mm	$\alpha$ °	Spare parts code			
		S 1 3/8" Z6	S 1 3/8" Z21	S 1 3/4" Z6	S 1 3/4" Z20				1 3/8" Z6	1 3/8" Z21	1 3/4" Z6	1 3/4" Z20
S1	650	114	---	---	---	23	129	21°	610234001R	---	---	---
S2	650	120	---	---	---	42	146	19°	611234005R	---	---	---
	611239001R								---	---	---	

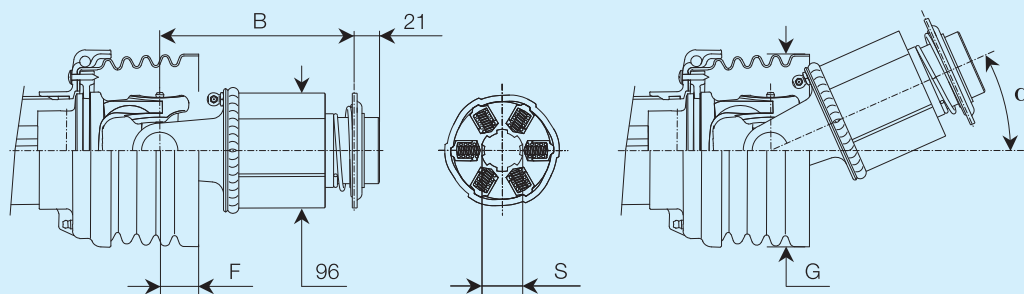


Ref.	Size	Spare parts code	Description	Technical data
1		348014000R20	Grease fitting	
2	S1	422012020R	Outer housing + yoke	
	S2	422022020R		
3		421340001R06	Ratchet + spring kit	
4		513350302R	Hub with push-pin	1 3/8" Z6
5		403000001R10	Push-pin kit	
6		240000033R02	Locking plate	
7		338005000R20	Snap ring	82 x 2.5 DIN 472/1

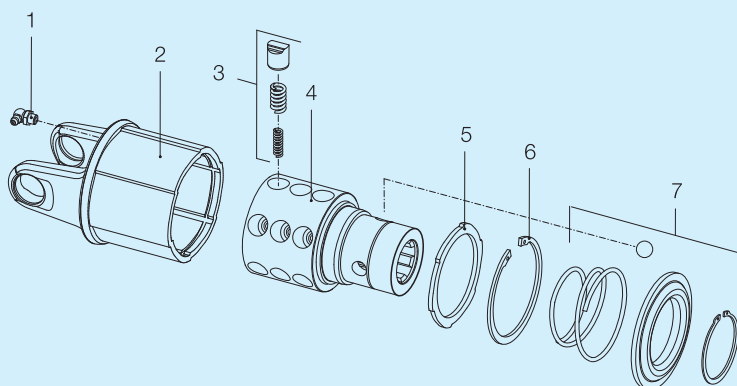
For primary drivelines, always install any torque limiter or overrunning clutch on the implement side. All rotating parts must be guarded. Ratchet torque limiters should be used only on drivelines operating at speeds less than 700 min<sup>-1</sup>.

## SA3

One-way



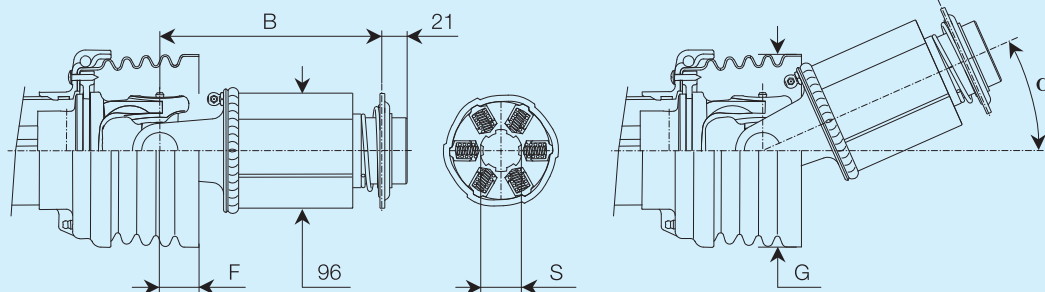
Size	Torque Nm	B (mm)				F mm	G mm	$\alpha$ °	Spare parts code			
		S 1 3/8" Z6	S 1 3/8" Z21	S 1 3/4" Z6	S 1 3/4" Z20				1 3/8" Z6	1 3/8" Z21	1 3/4" Z6	1 3/4" Z20
S2	900	149	---	---	---	42	146	19°	611341501R	---	---	---
	1000								611344501R	---	---	---
	1200								611348501R	---	---	---
S4	1000	158	---	---	---	37	146	25°	613344501R	---	---	---
	1200								613348501R	---	---	---
S5	1200	161	---	---	---	33	146	24°	614348501R	---	---	---
S6	1200	161	---	---	---	32	160	33°	614348501R	---	---	---



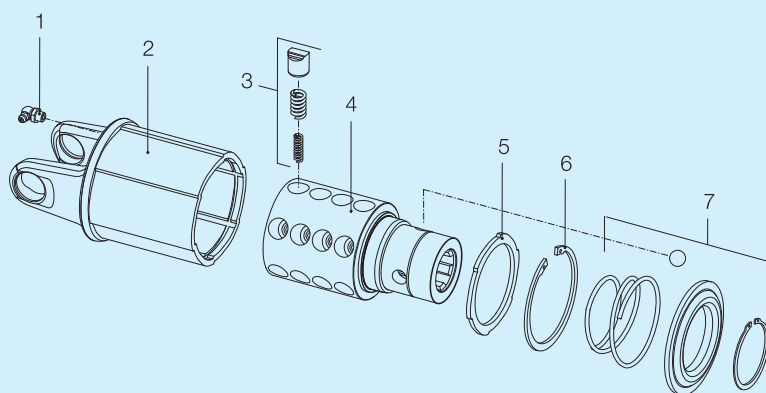
Ref.	Size	Spare parts code	Description	Technical data
1		348014000R20	Grease fitting	
2	S2	422023020R	Outer housing + yoke	
	S4	422043020R		
	S5	422053020R		
	S6	422053020R		
	3		421340001R06	Ratchet + spring kit
4		2270Q0303R	Hub	1 3/8" Z6
5		240000033R02	Locking plate	
6		338005000R20	Snap ring	82 x 2.5 DIN 472/1
7		435000321R	Ball collar kit	

For primary drivelines, always install any torque limiter or overrunning clutch on the implement side. All rotating parts must be guarded. Ratchet torque limiters should be used only on drivelines operating at speeds less than 700 min<sup>-1</sup>.

**SA4**  
One-way



Size	Torque Nm	B (mm)				F mm	G mm	$\alpha$ °	Spare parts code			
		S 1 3/8" Z6	S 1 3/8" Z21	S 1 3/4" Z6	S 1 3/4" Z20				1 3/8" Z6	1 3/8" Z21	1 3/4" Z6	1 3/4" Z20
S4	1400	178	---	---	---	37	146	25°	613452501R	---	---	---
	1600	---	---	---	613456501R				---	---	---	
S5	1400	181	---	---	---	33	146	24°	614452501R	---	---	---
	1600								614456501R	---	---	---
S6	1400	181	---	---	---	32	160	33°	614452501R	---	---	---
	1600								614456501R	---	---	---

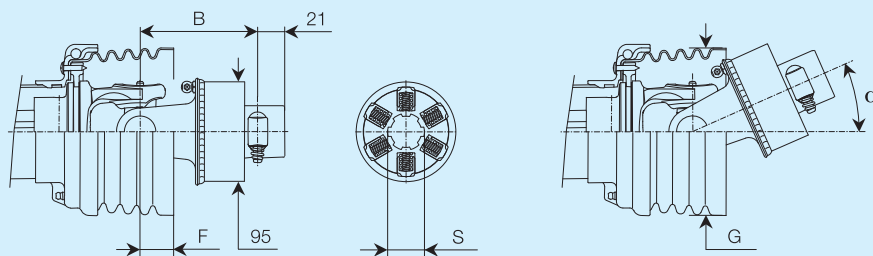


Ref.	Size	Spare parts code	Description	Technical data
1		348014000R20	Grease fitting	
2	S4	422044020R	Outer housing + yoke	
	S5	422054020R		
	S6	422054020R		
3		421340001R06	Ratchet + spring kit	
4		2270R0302R	Hub	1 3/8" Z6
5		240000033R02	Locking plate	
6		338005000R20	Snap ring	82 x 2.5 DIN 472/1
7		435000321R	Ball collar kit	

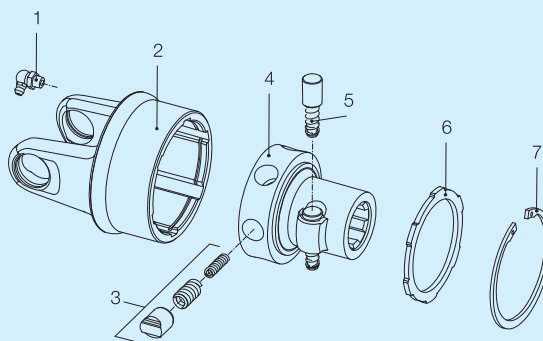
For primary drivelines, always install any torque limiter or overrunning clutch on the implement side. All rotating parts must be guarded. Ratchet torque limiters should be used only on drivelines operating at speeds less than 700 min<sup>-1</sup>.

## LN1

Symmetrical



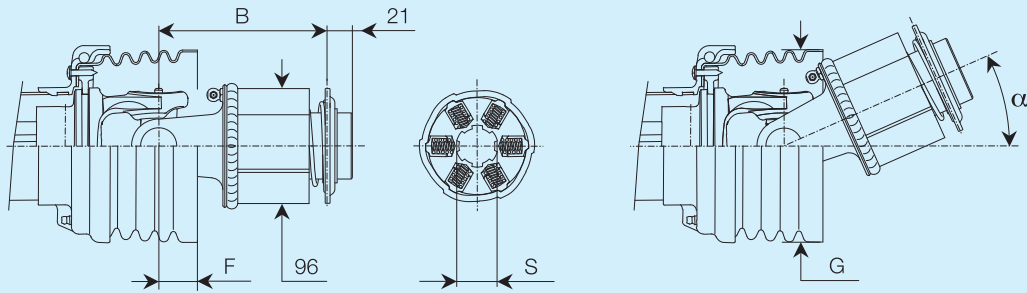
Size	Torque Nm	B (mm)				F mm	G mm	$\alpha$ °	Spare parts code			
		S 1 3/8" Z6	S 1 3/8" Z21	S 1 3/4" Z6	S 1 3/4" Z20				1 3/8" Z6	1 3/8" Z21	1 3/4" Z6	1 3/4" Z20
<b>S1</b>	300	94	---	---	---	23	129	21°	60A1B1903R	---	---	---



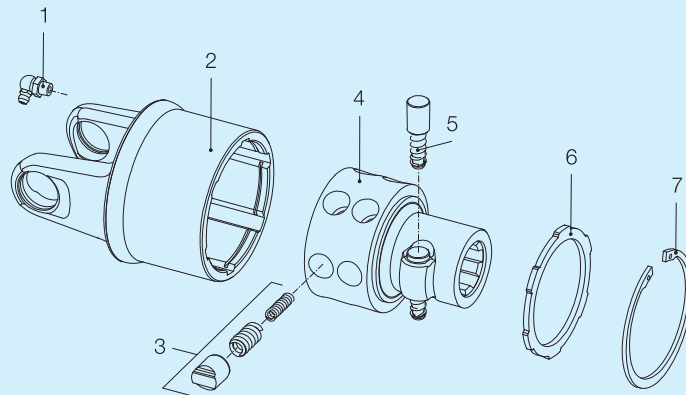
Ref.	Size	Spare parts code	Description	Technical data
1		348014000R20	Grease fitting	
2	<b>S1</b>	422B0S301R	Outer housing + yoke	
3		421340007R06	Ratchet + spring kit	
4		513340302R	Hub with push-pin	1 3/8" Z6
5		403000001R10	Push-pin kit	
6		240000294R02	Locking plate	
7		338005000R20	Snap ring	82 x 2.5 DIN 472/1

For primary drivelines, always install any torque limiter or overrunning clutch on the implement side. All rotating parts must be guarded. Ratchet torque limiters should be used only on drivelines operating at speeds less than 700 min<sup>-1</sup>.

**LN2**  
Symmetrical



Size	Torque Nm	B (mm)				F mm	G mm	$\alpha$ °	Spare parts code			
		S 1 3/8" Z6	S 1 3/8" Z21	S 1 3/4" Z6	S 1 3/4" Z20				1 3/8" Z6	1 3/8" Z21	1 3/4" Z6	1 3/4" Z20
S1	460	114	---	---	---	23	129	21°	60A2B2603R	---	---	---
	600								60A2B3203R	---	---	---
S2	600	120	---	---	---	42	146	19°	60A2C3203R	---	---	---



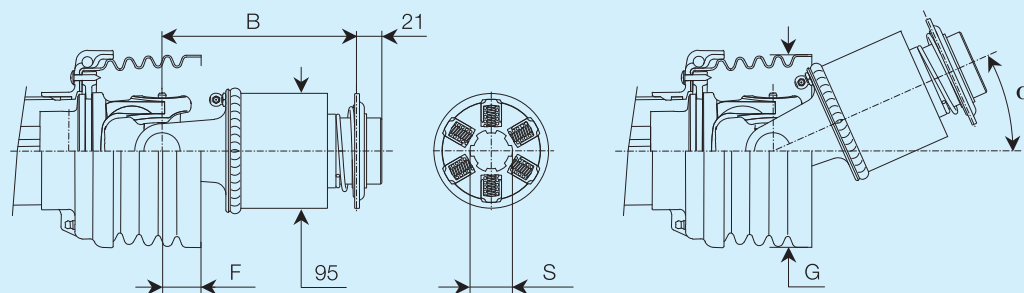
Ref.	Size	Spare parts code	Description	Technical data
1		348014000R20	Grease fitting	
2	S1	422B0T301R	Outer housing + yoke	
	S2	422C0T301R		
3		421340007R06	Ratchet + spring kit	
4		513350302R	Hub with push-pin	1 3/8" Z6
5		403000001R10	Push-pin kit	
6		240000294R02	Locking plate	
7		338005000R20	Snap ring	82 x 2.5 DIN 472/1

For primary drivelines, always install any torque limiter or overrunning clutch on the implement side. All rotating parts must be guarded. Ratchet torque limiters should be used only on drivelines operating at speeds less than 700 min<sup>-1</sup>.

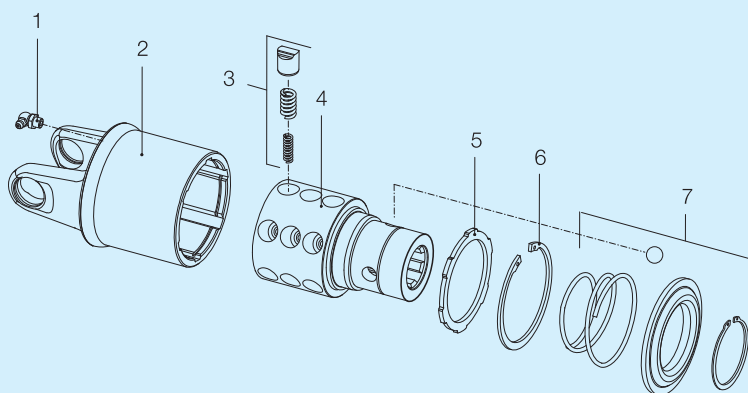


## LN3

Symmetrical



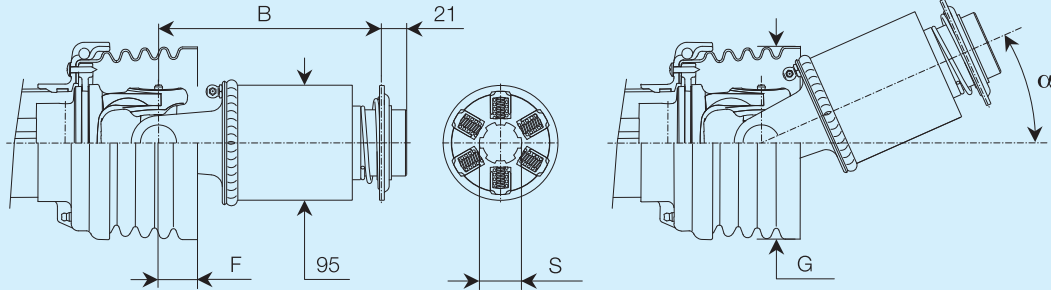
Size	Torque Nm	B (mm)				F mm	G mm	$\alpha$ °	Spare parts code			
		S 1 3/8" Z6	S 1 3/8" Z21	S 1 3/4" Z6	S 1 3/4" Z20				1 3/8" Z6	1 3/8" Z21	1 3/4" Z6	1 3/4" Z20
S2	800	149	---	---	---	42	146	19°	60B3C3903R	---	---	---
	900								60B3C4103R	---	---	---



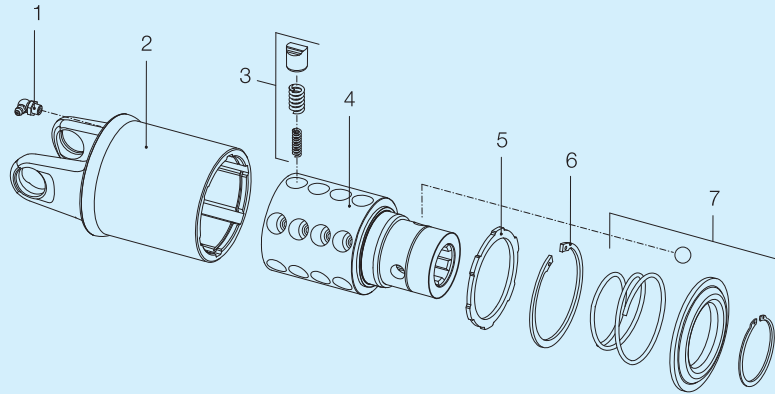
Ref.	Size	Spare parts code	Description	Technical data
1		348014000R20	Grease fitting	
2	S2	422C0U301R	Outer housing + yoke	
3		421340007R06	Ratchet + spring kit	
4		2270Q0303R	Hub with push-pin	1 3/8" Z6
5		240000294R02	Push-pin kit	
6		338005000R20	Locking plate	82 x 2.5 DIN 472/1
7		435000321R	Snap ring	

For primary drivelines, always install any torque limiter or overrunning clutch on the implement side. All rotating parts must be guarded. Ratchet torque limiters should be used only on drivelines operating at speeds less than 700 min<sup>-1</sup>.

## LN4 Symmetrical



Size	Torque Nm	B (mm)				F mm	G mm	$\alpha$ °	Spare parts code			
		S 1 3/8" Z6	S 1 3/8" Z21	S 1 3/4" Z6	S 1 3/4" Z20				1 3/8" Z6	1 3/8" Z21	1 3/4" Z6	1 3/4" Z20
S2	1000	169	---	---	---	42	146	19°	60B4C4403R	---	---	---
	1200								60B4C4803R	---	---	---
S4	1000	178	---	---	---	37	146	25°	60B4E4403R	---	---	---
	1200								60B4E4803R	---	---	---
S5	1200	181	---	---	---	33	146	24°	60B4G4803R	---	---	---
S6	1200	181	---	---	---	32	160	33°	60B4G4803R	---	---	---



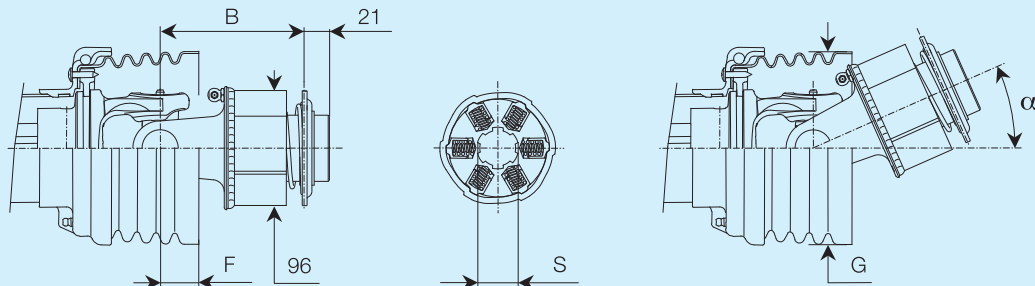
Ref.	Size	Spare parts code	Description	Technical data
1		348014000R20	Grease fitting	
2	S2	422C0V301R	Outer housing + yoke	
	S4	422E0V301R		
	S5	422G0V301R		
	S6	422G0V301R		
3		421340007R06	Ratchet + spring kit	
4		2270R0302R	Hub	1 3/8" Z6
5		240000294R02	Locking plate	
6		338005000R20	Snap ring	82 x 2.5 DIN 472/1
7		435000321R	Ball collar kit	



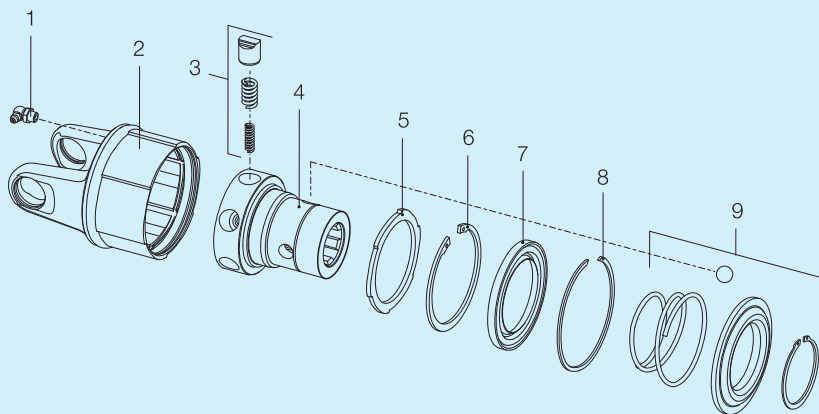
For primary drivelines, always install any torque limiter or overrunning clutch on the implement side. All rotating parts must be guarded. Ratchet torque limiters should be used only on drivelines operating at speeds less than 700 min<sup>-1</sup>.

## LC1

One-way, seasonal lubrication



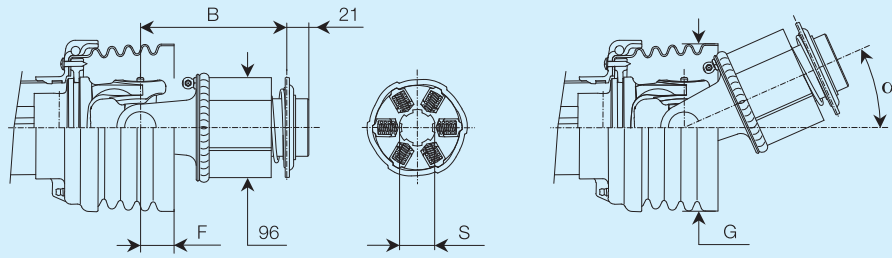
Size	Torque Nm	B (mm)				F mm	G mm	$\alpha$ °	Spare parts code			
		S 1 3/8" Z6	S 1 3/8" Z21	S 1 3/4" Z6	S 1 3/4" Z20				1 3/8" Z6	1 3/8" Z21	1 3/4" Z6	1 3/4" Z20
S1	400	103	---	---	---	23	129	21°	60D1B2403R	---	---	---



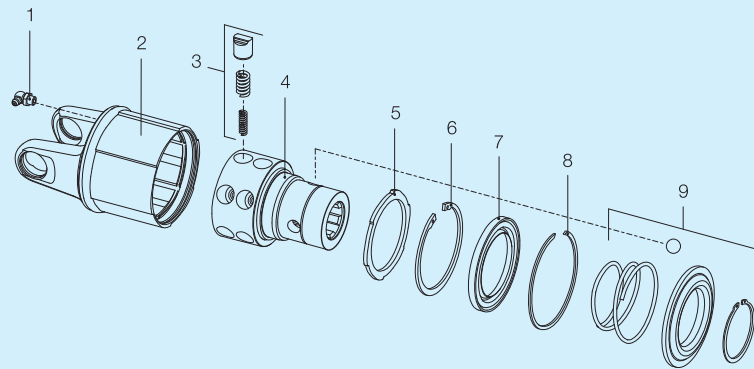
Ref.	Size	Spare parts code	Description	Technical data
1		348014000R20	Grease fitting	
2	S1	422B0N105R	Outer housing + yoke	
3		421340001R06	Ratchet + spring kit	
4		2270N0302R	Hub	1 3/8" Z6
5		240000033R02	Locking plate	
6		338005000R20	Snap ring	82 x 2.5 DIN 472/1
7		359005901R02	Retaining ring	
8		339000088R20	Snap ring	
9		435000321R	Ball collar kit	

For primary drivelines, always install any torque limiter or overrunning clutch on the implement side. All rotating parts must be guarded. Ratchet torque limiters should be used only on drivelines operating at speeds less than 700 min<sup>-1</sup>.

One-way, seasonal lubrication



Size	Torque Nm	B (mm)				F mm	G mm	$\alpha$ °	Spare parts code			
		S 1 3/8" Z6	S 1 3/8" Z21	S 1 3/4" Z6	S 1 3/4" Z20				1 3/8" Z6	1 3/8" Z21	1 3/4" Z6	1 3/4" Z20
S1	650	123	---	---	---	23	129	21°	60D2B3403R	---	---	---
	800	129	---	---	---	42	146	19°	60D2C3403R	---	---	---
S2	650	---	---	---	---	---	---	---	60D2C3903R	---	---	---
	800	---	---	---	---	---	---	---	---	---	---	---



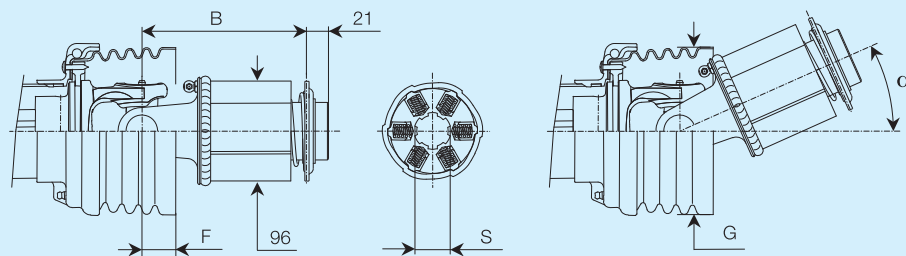
Ref.	Size	Spare parts code	Description	Technical data
1		348014000R20	Grease fitting	
2	S1	422B0P105R	Outer housing + yoke	
	S2	422C0P105R		
3		421340001R06	Ratchet + spring kit	
4		2270P0303R	Hub	1 3/8" Z6
5		240000033R02	Locking plate	
6		338005000R20	Snap ring	82 x 2.5 DIN 472/1
7		359005901R02	Retaining ring	
8		339000088R20	Snap ring	
9		435000321R	Ball collar kit	



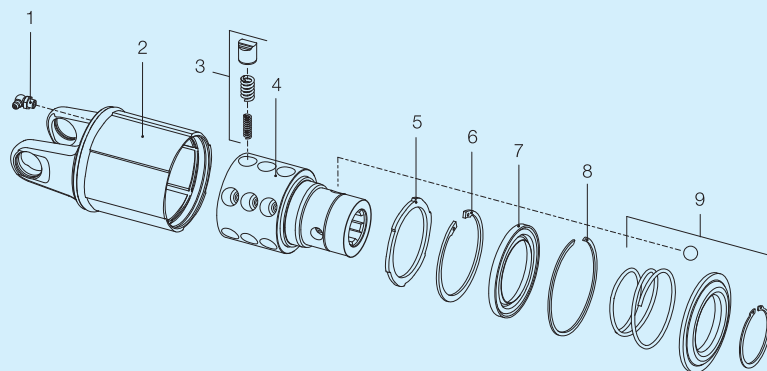
For primary drivelines, always install any torque limiter or overrunning clutch on the implement side. All rotating parts must be guarded. Ratchet torque limiters should be used only on drivelines operating at speeds less than 700 min<sup>-1</sup>.

## LC3

One-way, seasonal lubrication



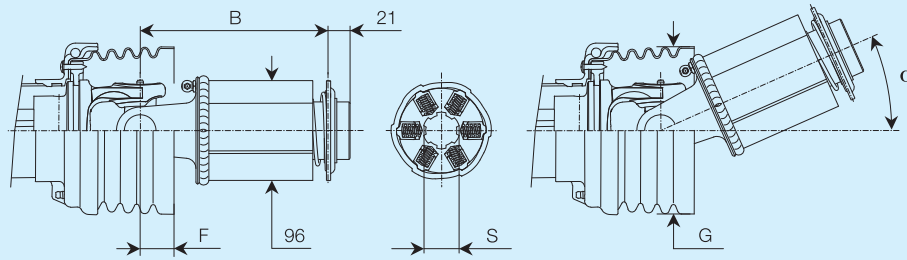
Size	Torque Nm	B (mm)				F mm	G mm	$\alpha$ °	Spare parts code			
		S 1 3/8" Z6	S 1 3/8" Z21	S 1 3/4" Z6	S 1 3/4" Z20				1 3/8" Z6	1 3/8" Z21	1 3/4" Z6	1 3/4" Z20
S2	900	149	---	---	---	42	146	19°	60D3C4103R	---	---	---
	1000								60D3C4403R	---	---	---
	1200								60D3C4803R	---	---	---
S4	1000	158	---	---	---	37	146	25°	60D3E4403R	---	---	---
	1200								60D3E4803R	---	---	---
S5	1200	161	---	---	---	33	146	24°	60D3G4803R	---	---	---
S6	1200	161	---	---	---	32	160	33°	60D3G4803R	---	---	---



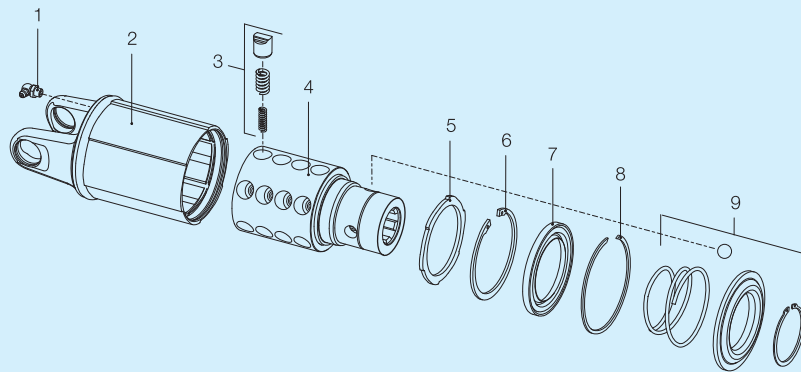
Ref.	Size	Spare parts code	Description	Technical data
1		348014000R20	Grease fitting	
2	S2	422C0Q105R	Outer housing + yoke	
	S4	422E0Q105R		
	S5	422G0Q105R		
	S6	422G0Q105R		
3		421340001R06	Ratchet + spring kit	
4		2270Q0303R	Hub	1 3/8" Z6
5		240000033R02	Locking plate	
6		338005000R20	Snap ring	82 x 2.5 DIN 472/1
7		359005901R02	Retaining ring	
8		339000088R20	Snap ring	
9		435000321R	Ball collar kit	

## LC4

One-way, seasonal lubrication



Size	Torque Nm	B (mm)				F mm	G mm	$\alpha$ °	Spare parts code			
		S 1 3/8" Z6	S 1 3/8" Z21	S 1 3/4" Z6	S 1 3/4" Z20				1 3/8" Z6	1 3/8" Z21	1 3/4" Z6	1 3/4" Z20
S4	1400	178	---	---	---	37	146	25°	60D4E5203R	---	---	---
	1600								60D4E5603R	---	---	---
S5	1400	181	---	---	---	33	146	24°	60D4G5203R	---	---	---
	1600								60D4G5603R	---	---	---
S6	1400	181	---	---	---	32	160	33°	60D4G5203R	---	---	---
	1600								60D4G5603R	---	---	---

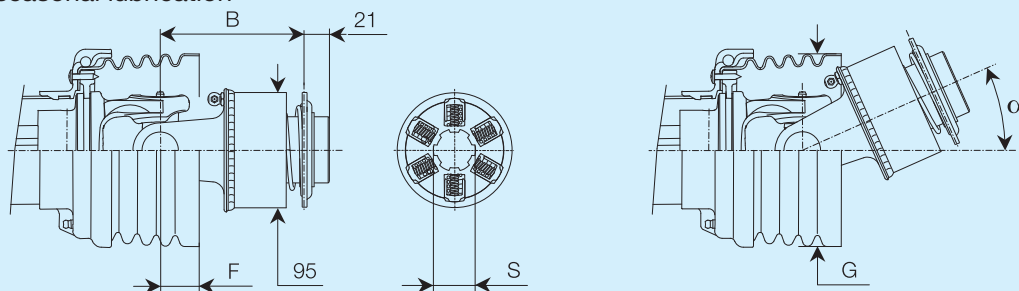


Ref.	Size	Spare parts code	Description	Technical data
1		348014000R20	Grease fitting	
2	S4	422E0R105R	Outer housing + yoke	
	S5	422G0R105R		
	S6	422G0R105R		
3		421340001R06	Ratchet + spring kit	
4		2270R0302R	Hub	1 3/8" Z6
5		240000033R02	Locking plate	
6		338005000R20	Snap ring	82 x 2.5 DIN 472/1
7		359005901R02	Retaining ring	
8		339000088R20	Snap ring	
9		435000321R	Ball collar ring	

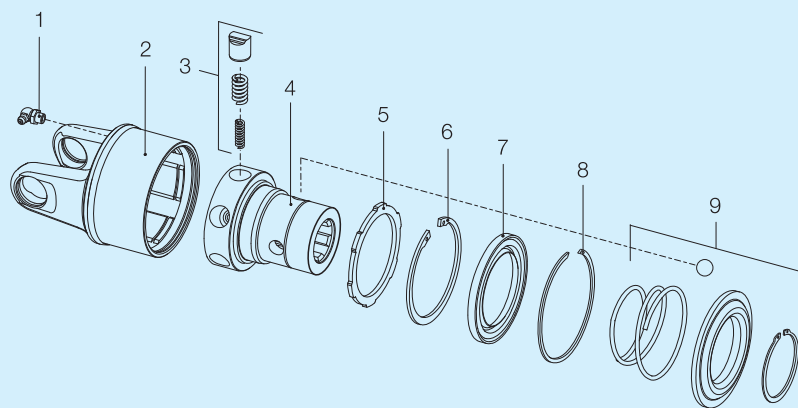
For primary drivelines, always install any torque limiter or overrunning clutch on the implement side. All rotating parts must be guarded. Ratchet torque limiters should be used only on drivelines operating at speeds less than 700 min<sup>-1</sup>.

## LT1

Symmetrical, seasonal lubrication



Size	Torque Nm	B (mm)				F mm	G mm	$\alpha$ °	Spare parts code			
		S 1 3/8" Z6	S 1 3/8" Z21	S 1 3/4" Z6	S 1 3/4" Z20				1 3/8" Z6	1 3/8" Z21	1 3/4" Z6	1 3/4" Z20
S1	300	103	---	---	---	23	129	21°	60F1B1903R	---	---	---

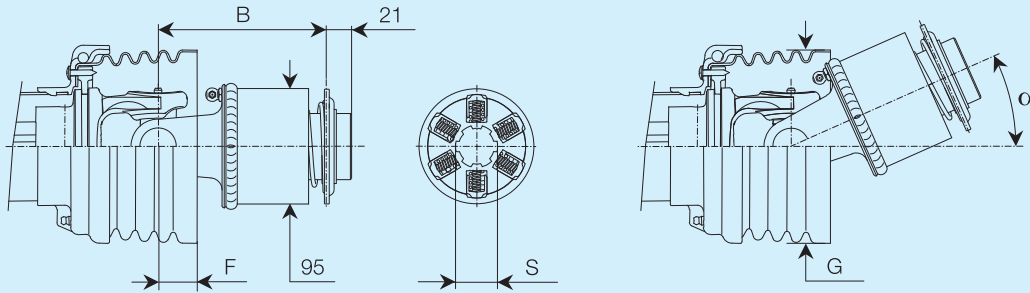


Ref.	Size	Spare parts code	Description	Technical data
1		348014000R20	Grease fitting	
2	S1	422B0Z305R	Outer housing + yoke	
3		421340007R06	Ratchet + spring kit	
4		2270N0302R	Hub	1 3/8" Z6
5		240000294R02	Locking plate	
6		338005000R20	Snap ring	82 x 2.5 DIN 472/1
7		359005901R02	Retaining ring	
8		339000088R20	Snap ring	
9		435000321R	Ball collar kit	

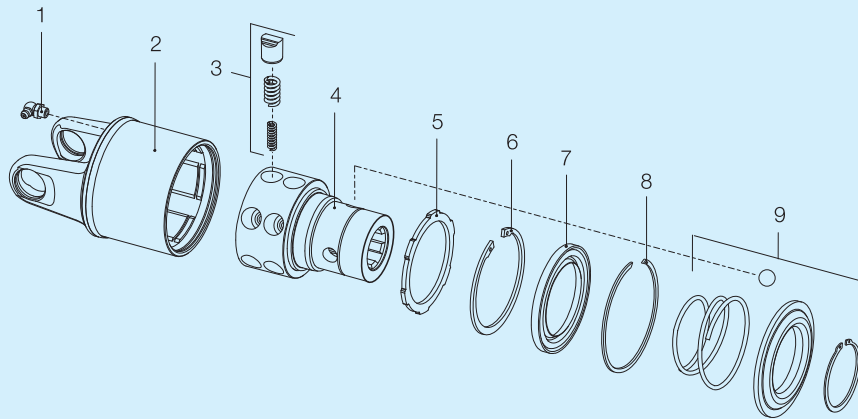
For primary drivelines, always install any torque limiter or overrunning clutch on the implement side. All rotating parts must be guarded. Ratchet torque limiters should be used only on drivelines operating at speeds less than 700 min<sup>-1</sup>.

## LT2

Symmetrical, seasonal lubrication



Size	Torque Nm	B (mm)				F mm	G mm	$\alpha$ °	Spare parts code			
		S 1 3/8" Z6	S 1 3/8" Z21	S 1 3/4" Z6	S 1 3/4" Z20				1 3/8" Z6	1 3/8" Z21	1 3/4" Z6	1 3/4" Z20
S1	460	123	---	---	---	23	129	21°	60F2B2603R	---	---	---
	600								60F2B3203R	---	---	---
S2	600	129	---	---	---	42	146	19°	60F2C3203R	---	---	---



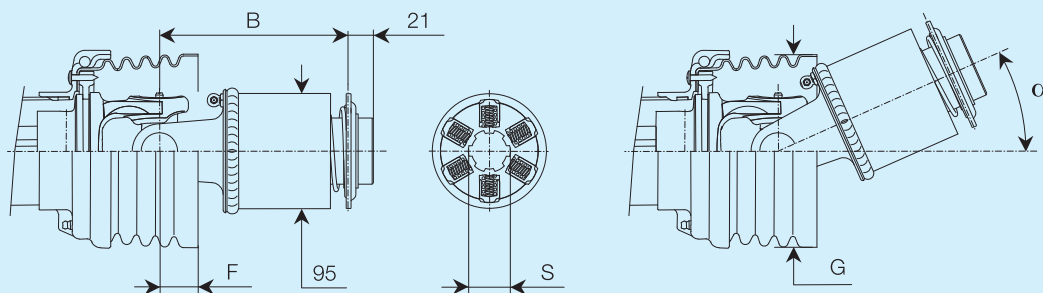
Ref.	Size	Spare parts code	Description	Technical data
1		348014000R20	Grease fitting	
2	S1	422B0X305R	Outer housing + yoke	
	S2	422C0X305R		
3		421340007R06	Ratchet + spring kit	
4		2270P0303R	Hub	1 3/8" Z6
5		240000294R02	Locking plate	
6		338005000R20	Snap ring	82 x 2.5 DIN 472/1
7		359005901R02	Retaining ring	
8		339000088R20	Snap ring	
9		435000321R	Ball collar kit	

For primary drivelines, always install any torque limiter or overrunning clutch on the implement side. All rotating parts must be guarded. Ratchet torque limiters should be used only on drivelines operating at speeds less than 700 min<sup>-1</sup>.

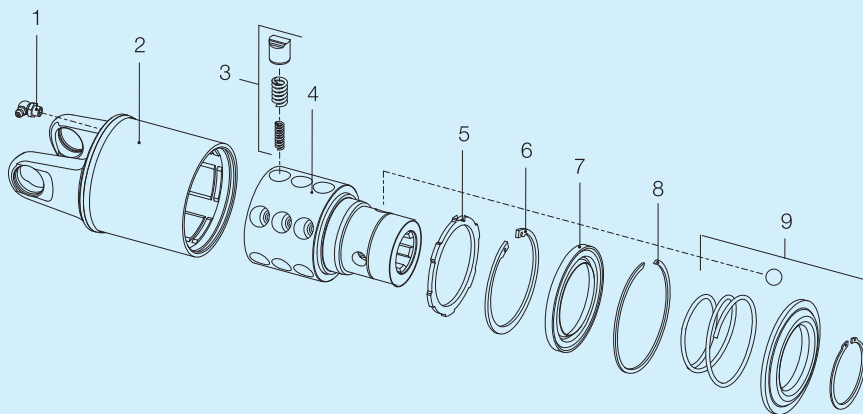


## LT3

Symmetrical, seasonal lubrication



Size	Torque Nm	B (mm)				F mm	G mm	$\alpha$ °	Spare parts code			
		S 1 3/8" Z6	S 1 3/8" Z21	S 1 3/4" Z6	S 1 3/4" Z20				1 3/8" Z6	1 3/8" Z21	1 3/4" Z6	1 3/4" Z20
S2	800	149	---	---	---	42	146	19°	60F3C3903R	---	---	---
	900								60F3C4103R	---	---	---

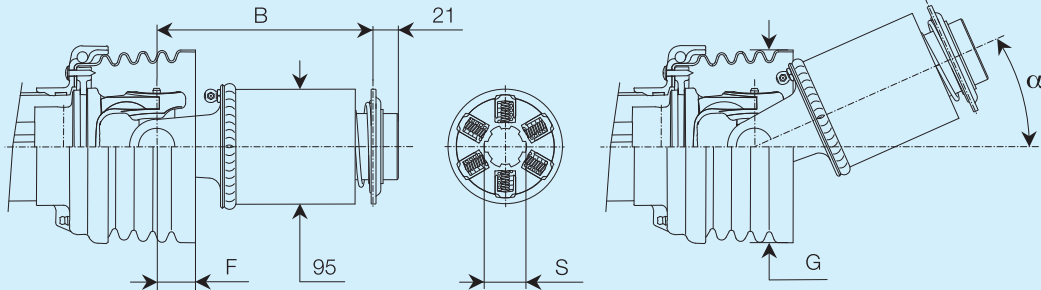


Ref.	Size	Spare parts code	Description	Technical data
1		348014000R20	Grease fitting	
2	S2	422C0Y305R	Outer housing + yoke	
3		421340007R06	Ratchet + spring kit	
4		2270Q0303R	Hub	1 3/8" Z6
5		240000294R02	Locking plate	
6		338005000R20	Snap ring	82 x 2.5 DIN 472/1
7		359005901R02	Retaining ring	
8		339000088R20	Snap ring	
9		435000321R	Ball collar kit	

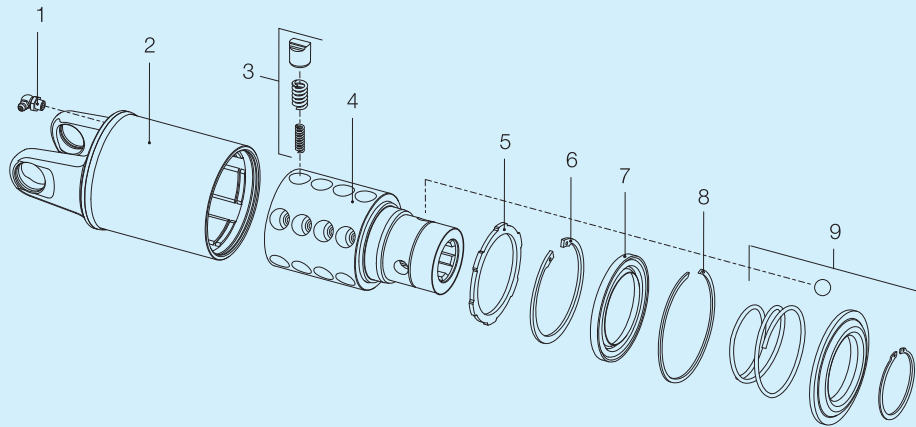
For primary drivelines, always install any torque limiter or overrunning clutch on the implement side. All rotating parts must be guarded. Ratchet torque limiters should be used only on drivelines operating at speeds less than 700 min<sup>-1</sup>.

## LT4

Symmetrical, seasonal lubrication

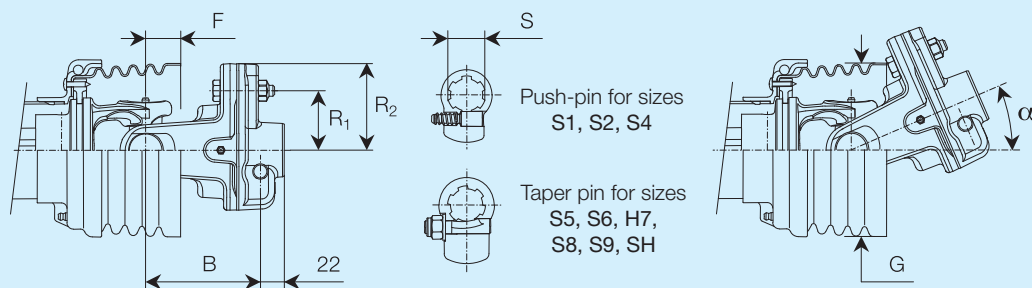


Size	Torque Nm	B (mm)				F mm	G mm	$\alpha$ °	Spare parts code			
		S 1 3/8" Z6	S 1 3/8" Z21	S 1 3/4" Z6	S 1 3/4" Z20				1 3/8" Z6	1 3/8" Z21	1 3/4" Z6	1 3/4" Z20
S2	1000	169	---	---	---	42	146	19°	60F4C4403R	---	---	---
	1200								60F4C4803R	---	---	---
S4	1000	178	---	---	---	37	146	25°	60F4E4403R	---	---	---
	1200								60F4E4803R	---	---	---
S5	1200	181	---	---	---	33	146	24°	60F4G4803R	---	---	---
S6	1200	181	---	---	---	32	160	33°	60F4G4803R	---	---	---



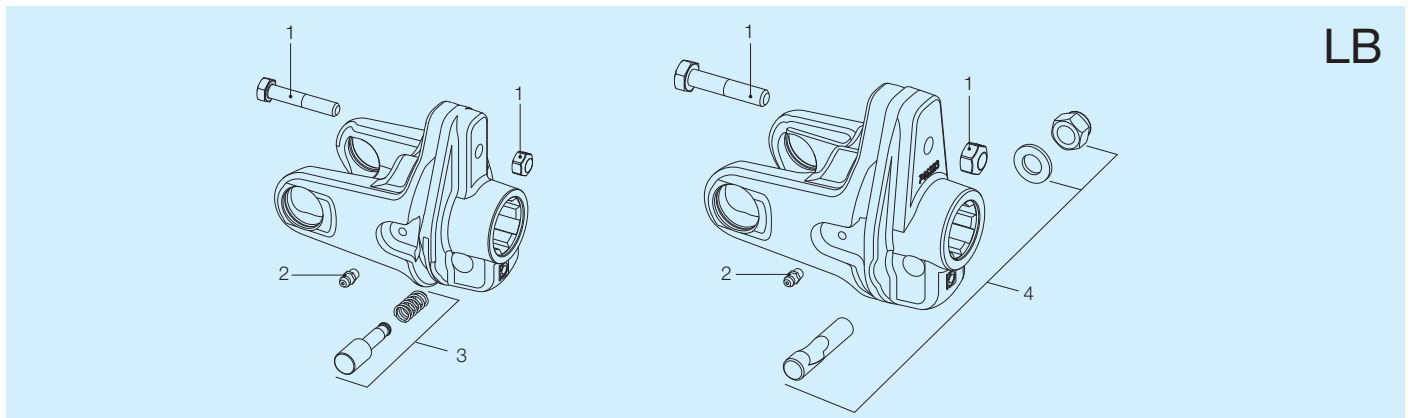
Ref.	Size	Spare parts code	Description	Technical data
1		348014000R20	Grease fitting	
2	S2	422C0J305R	Outer housing + yoke	
	S4	422E0J305R		
	S5	422G0J305R		
	S6	422G0J305R		
3		421340007R06	Ratchet + spring kit	
4		2270R0302R	Hub	1 3/8" Z6
5		240000294R02	Locking plate	
6		338005000R20	Snap ring	82 x 2.5 DIN 472/1
7		359005901R02	Retaining ring	
8		339000088R20	Snap ring	
9		435000321R	Ball collar kit	

## LB



Size	Torque Nm	B mm	R <sub>1</sub> mm	R <sub>2</sub> mm	F mm	G mm	α °	Spare parts code				
								1 3/8" Z6	1 3/8" Z21	1 3/4" Z6	1 3/4" Z20	
S1	650	80	37	68	23	129	24°	6060B0304R	6060B3703R	---	---	432000002R05
	700		40					6060B0302R	6060B3702R	---	---	432000002R05
	780		45					6060B0301R	6060B3701R	---	---	432000002R05
S2	950 *	87	55	68	42	146	15°	6060C0302R	6060C3702R	---	---	432000002R05
	1050		60					6060C0308R	6060C3704R	---	---	432000002R05
	1250		40					6060C0301R	6060C3701R	---	---	432000047R05
S4	1400	93	45	68	37	146	20°	6060E0303R	6060E3704R	---	---	432000047R05
	1700 *		55					6060E0302R	6060E3702R	---	---	432000047R05
	2000		43					6060E0309R	6060E3711R	---	---	432000053R05
S5	2100	106	67	80	33	146	24°	6060G0319R	6060G3710R	6060G0408R	6060G3803R	432000047R05
	2400		50					6060G0304R	6060G3704R	6060G0404R	6060G3804R	432000053R05
S6	2400 *	106	50	80	32	160	24°	6060G0304R	6060G3704R	6060G0404R	6060G3804R	432000053R05
	2500		52					6060G0320R	6060G3711R	6060G0409R	6060G3809R	432000053R05
	2700		55					6060G0301R	6060G3701R	6060G0401R	6060G3801R	432000053R05
H7	2700	112	55	80	29	160	29°	6060H0302R	6060H3702R	6060H0402R	6060H3802R	432000053R05
	3100		65					6060H0301R	6060H3701R	6060H0401R	6060H3801R	432000053R05
S8	2700	115	55	80	42	160	19°	6060L0303R	6060L3703R	6060L0404R	6060L3807R	432000053R05
	3200		66					6060L0305R	6060L3704R	6060L0407R	6060L3808R	432000053R05
	3600		52					6060L0306R	6060L3705R	6060L0408R	6060L3809R	432000124R05
H8	2700	115	55	80	42	160	19°	6060L0303R	6060L3703R	6060L0404R	6060L3807R	432000053R05
	3200		66					6060L0305R	6060L3704R	6060L0407R	6060L3808R	432000053R05
	3600		52					6060L0306R	6060L3705R	6060L0408R	6060L3809R	432000124R05
	4200		60					6060L0308R	6060L3706R	6060L0410R	6060L3810R	432000124R05
S9	3000	121	62	80	49	180	19°	6060M0306R	6060M3705R	6060M0405R	6060M3811R	432000053R05
	3500		50					6060M0307R	6060M3703R	6060M0407R	6060M3809R	432000030R05
	4200		60					6060M0301R	6060M3701R	6060M0401R	6060M3801R	432000030R05
SH	4000	120	57	80	50	201	17°	6060N0302R	6060N3701R	6060N0402R	6060N3802R	432000030R05
	4500		65					6060N0301R	6060N3702R	6060N0403R	6060N3803R	432000030R05
	5200		55					6060N0303R	6060N3703R	6060N0401R	6060N3801R	432000055R05
S0	---	---	---	---	---	---	---	---	---	---	---	

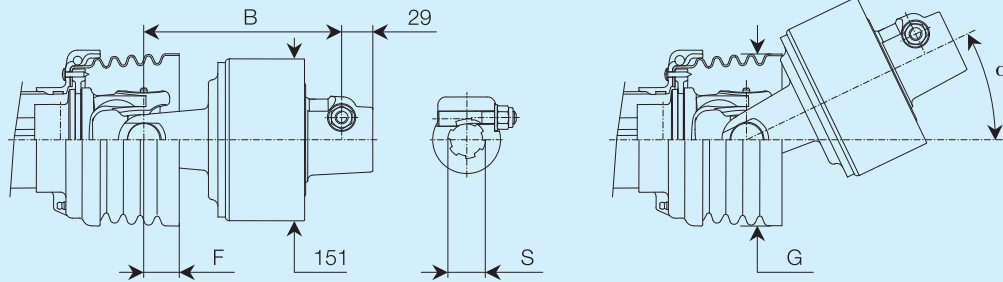
\* For S2, S4, and S6 drivelines, that may be equipped with either the Four-Tooth or Free Rotation profile tubes, settings marked with asterisk (\*) are the maximum recommended settings for Free Rotation profile tubes. The torque setting must never exceed the maximum torque of the driveline Mmax.



Ref.	Size	Spare parts code	Description	Technical data
1		432000002R05	Bolt	M6x40 Cl. 8.8
		432000047R05		M8x45 Cl. 8.8
		432000053R05		M10x50 Cl. 8.8
		432000124R05		M12x55 Cl. 8.8
		432000030R05		M12x70 Cl. 8.8
		432000055R05		M14x70 Cl. 8.8
2		348017000R20	Grease fitting	
3		403000001R10	Push-pin kit	1 3/8" Z6 - Z21
4		408000048R02	Taper pin	1 3/8" Z6 - Z21
		408000052R02		1 3/4" Z6 - Z20

For primary drivelines, always install any torque limiter or overrunning clutch on the implement side.  
All rotating parts must be guarded.

## LR23



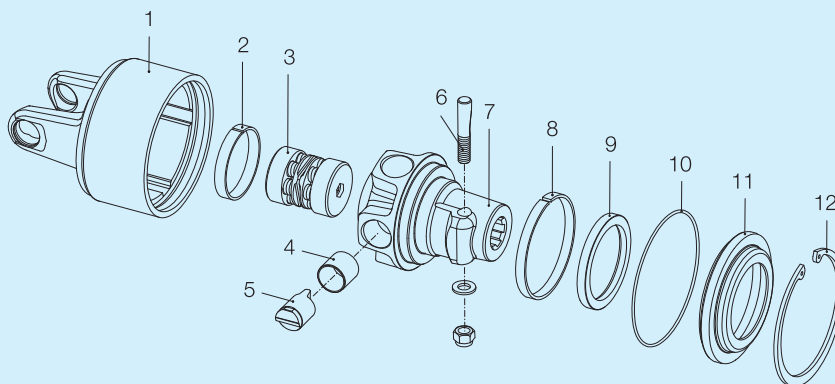
Size	Torque Nm	B (mm)				F mm	G mm	α °	Spare parts codes for use at 540 min <sup>-1</sup>			
		S 1 3/8" Z6	S 1 3/8" Z21	S 1 3/4" Z6	S 1 3/4" Z20				1 3/8" Z6	1 3/8" Z21	1 3/4" Z6	1 3/4" Z20
S4	1200	172	172	172	172	37	146	19°	6WE148003R	6WE148037R	6WE148004R	6WE148038R
	1500								6WE154003R	6WE154037R	6WE154004R	6WE154038R
	1700								6WE157003R	6WE157037R	6WE157004R	6WE157038R
	1900								6WE159003R	6WE159037R	6WE159004R	6WE159038R
									6WE159902R (SX)	---	---	---
S5	1500	177	177	177	177	33	146	21°	6WG154003R	6WG154037R	6WG154004R	6WG154038R
	1700								6WG157003R	6WG157037R	6WG157004R	6WG157038R
	1900								6WG159003R	6WG159037R	6WG159004R	6WG159038R
	2100								6WG161003R	6WG161037R	6WG161004R	6WG161038R
S6	1700	177	177	177	177	32	160	24°	6WG157003R	6WG157037R	6WG157004R	6WG157038R
	1900								6WG159003R	6WG159037R	6WG159004R	6WG159038R
	2100								6WG161003R	6WG161037R	6WG161004R	6WG161038R
H7	2100	184	184	184	184	29	160	28°	6WH161003R	6WH161037R	6WH161004R	6WH161038R

The codes in columns with heading **(SX)** are for counter-clockwise rotation. All other codes are for clockwise rotation.

Size	Torque Nm	B (mm)				F mm	G mm	α °	Spare parts codes for LR23 with improved re-engagement			
		S 1 3/8" Z6	S 1 3/8" Z21	S 1 3/4" Z6	S 1 3/4" Z20				1 3/8" Z6	1 3/8" Z21	1 3/4" Z6	1 3/4" Z20
S4	1200	172	172	172	172	37	146	19°	6WEA48003R	6WEA48037R	6WEA48004R	6WEA48038R
	1500								6WEA54003R	6WEA54037R	6WEA54004R	6WEA54038R
	1700								6WEA57003R	6WEA57037R	6WEA57004R	6WEA57038R
	1900								6WEA59003R	6WEA59037R	6WEA59004R	6WEA59038R
S5	1500	177	177	177	177	33	146	21°	6WGA54003R	6WGA54037R	6WGA54004R	6WGA54038R
	1700								6WGA57003R	6WGA57037R	6WGA57004R	6WGA57038R
	1900								6WGA59003R	6WGA59037R	6WGA59004R	6WGA59038R
	2100								6WGA61003R	6WGA61037R	6WGA61004R	6WGA61038R
S6	1700	177	177	177	177	32	160	24°	6WGA57003R	6WGA57037R	6WGA57004R	6WGA57038R
	1900								6WGA59003R	6WGA59037R	6WGA59004R	6WGA59038R
	2100								6WGA61003R	6WGA61037R	6WGA61004R	6WGA61038R
H7	2100	184	184	184	184	29	160	28°	6WHA61003R	6WHA61037R	6WHA61004R	6WHA61038R

For primary drivelines, always install any torque limiter or overrunning clutch on the implement side. All rotating parts must be guarded.

## LR23



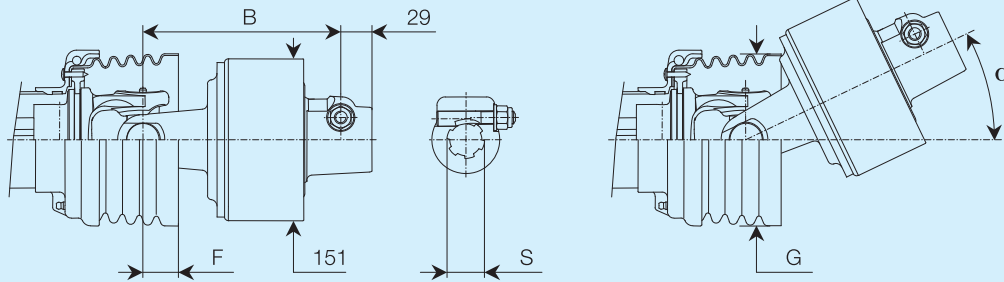
Ref.	Size	Spare parts codes for use at 540 min <sup>-1</sup>	Codes with improved re-engagement	Description	Technical data
1	S4	4310E1151R	4310E1152R	Outer housing + yoke	
	S5	4310G1151R	4310G1158R		
	S6	4310G1151R	4310G1158R		
	H7	431061151R	4310H1151R		
2		240000205R02	240000205R02	Bushing	
3		421154801R	421154801R	Spring pack*	1200 Nm
		421155401R	421155401R		1500 Nm
		421155701R	421155701R		1700 Nm
		421155901R	421155901R		1900 Nm
		421156101R	421156101R		2100 Nm
4		258000100R05	258000100R05	Sleeve	
5		250000101R05	250000101R05	Cam	
6		408000047R02	408000047R02	Taper pin	1 3/8" Z6 - Z21
		408000052R02	408000052R02		1 3/4" Z6 - Z20
7		515150301R	515150301R	Hub with taper pin and bushing	1 3/8" Z6
		515153701R	515153701R		1 3/8" Z21
		515150401R	515150401R		1 3/4" Z6
		515153801R	515153801R		1 3/4" Z20
8		240000201R02	240000201R02	Bushing	
9		355006080R02	355006080R02	Sealing ring	80 x 100 x 10 mm
10		358000006R02	358000006R02	O-ring	139 x 2.6 mm
11		240000202R02	240000202R02	Locking plate	
12		338000138R20	338000138R20	Snap ring	138 x 4 DIN 472/1

\* Other kits are available: 1400 Nm - 1800 Nm - 2000 Nm - 2200 Nm.  
The codes should be requested from the commercial office.



For primary drivelines, always install any torque limiter or overrunning clutch on the implement side.  
All rotating parts must be guarded.

## LR23 with overrunning clutch

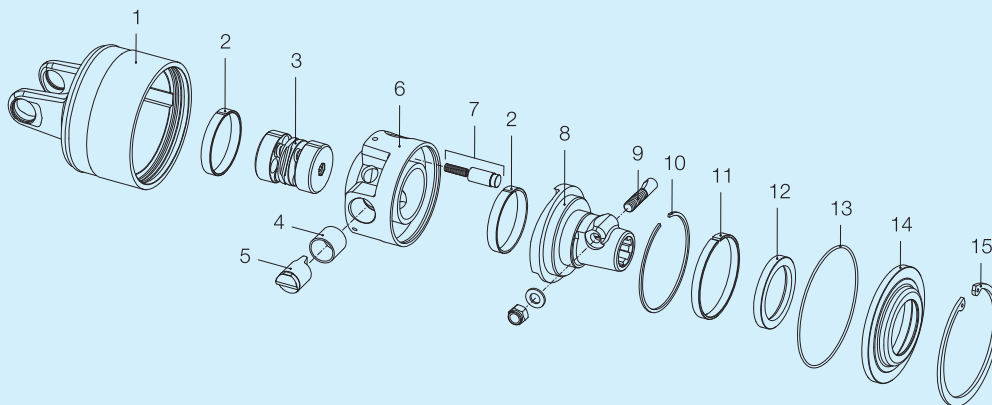


Size	Torque Nm	B (mm)				F mm	G mm	$\alpha$ °	Spare parts codes for use at 540 min <sup>-1</sup>			
		S 1 3/8" Z6	S 1 3/8" Z21	S 1 3/4" Z6	S 1 3/4" Z20				1 3/8" Z6	1 3/8" Z21	1 3/4" Z6	1 3/4" Z20
S4	1200	176	176	---	---	37	146	19°	6WE848003R	6WE848037R	---	---
	1500								6WE854003R	6WE854037R	---	---
	1700								6WE857003R	6WE857037R	---	---
	1900								6WE859003R	6WE859037R	---	---
S5	1500	181	181	---	---	33	146	21°	6WG854003R	6WG854037R	---	---
	1700								6WG857003R	6WG857037R	---	---
	1900								6WG859003R	6WG859037R	---	---
	2100								6WG861003R	6WG861037R	---	---
S6	1700	181	181	---	---	32	160	24°	6WG857003R	6WG857037R	---	---
	1900								6WG859003R	6WG859037R	---	---
	2100								6WG861003R	6WG861037R	---	---
H7	2100	188	188	---	---	29	160	28°	6WH861003R	6WH861037R	---	---

Size	Torque Nm	B (mm)				F mm	G mm	$\alpha$ °	Spare parts codes for LR23 with improved re-engagement			
		S 1 3/8" Z6	S 1 3/8" Z21	S 1 3/4" Z6	S 1 3/4" Z20				1 3/8" Z6	1 3/8" Z21	1 3/4" Z6	1 3/4" Z20
S4	1200	176	176	---	---	37	146	19°	6WEC48003R	6WEC48037R	---	---
	1500								6WEC54003R	6WEC54037R	---	---
	1700								6WEC57003R	6WEC57037R	---	---
	1900								6WEC59003R	6WEC59037R	---	---
S5	1500	181	181	---	---	33	146	21°	6WGC54003R	6WGC54037R	---	---
	1700								6WGC57003R	6WGC57037R	---	---
	1900								6WGC59003R	6WGC59037R	---	---
	2100								6WGC61003R	6WGC61037R	---	---
S6	1700	181	181	---	---	32	160	24°	6WGC57003R	6WGC57037R	---	---
	1900								6WGC59003R	6WGC59037R	---	---
	2100								6WGC61003R	6WGC61037R	---	---
H7	2100	188	188	---	---	29	160	28°	6WHC61003R	6WHC61037R	---	---

For primary drivelines, always install any torque limiter or overrunning clutch on the implement side.  
All rotating parts must be guarded.

## LR23 with overrunning clutch



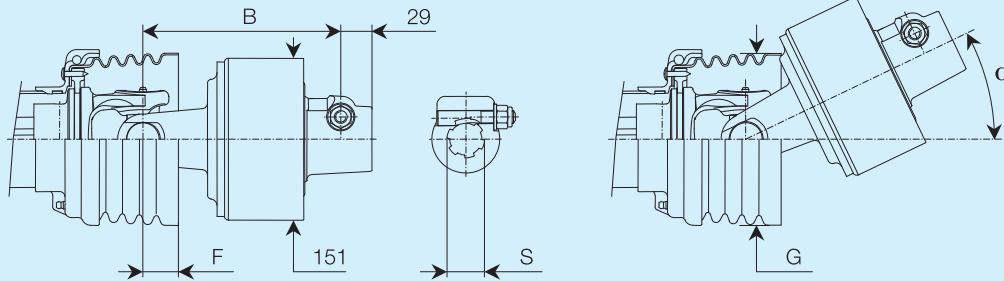
Ref.	Size	Spare parts codes for use at 540 min <sup>-1</sup>	Codes with improved re-engagement	Description	Technical data
1	S4	4310E8151R	4310EC151R	Outer housing + yoke	
	S5	4310G1152R	4310GC151R		
	S6	4310G1152R	4310GC151R		
	H7	431061106R	431061107R		
2		240000205R02	240000205R02	Bushing	
3		421154801R	421154801R	Spring pack*	1200 Nm
		421155401R	421155401R		1500 Nm
		421155701R	421155701R		1700 Nm
		421155901R	421155901R		1900 Nm
		421156101R	421156101R		2100 Nm
4		258000100R05	258000100R05	Sleeve	
5		250000101R05	250000101R05	Cam	
6		234150003R	234150003R	Cam Hub	
7		421004601R03	421004601R03	Ratchet + spring kit for overrunning clutch	
8		515150303R	515150303R	Hub with taper pin	1 3/8" Z6
		515153703R	515153703R		1 3/8" Z21
9		408000048R02	408000048R02	Taper pin	1 3/8" Z6 - Z21
10		339115000R20	339115000R20	Snap ring	
11		240000207R02	240000207R02	Bushing	
12		355008065R02	355008065R02	Sealing ring	65 x 85 x 10 mm
13		358000006R02	358000006R02	O-ring	139 x 2.6 mm
14		240000206R02	240000206R02	Locking plate	
15		338000138R20	338000138R20	Snap ring	138 x 4 DIN 472/1

\* Other kits are available: 1400 Nm - 1800 Nm - 2000 Nm - 2200 Nm.  
The codes should be requested from the commercial office.

For primary drivelines, always install any torque limiter or overrunning clutch on the implement side.  
All rotating parts must be guarded.



## LR24



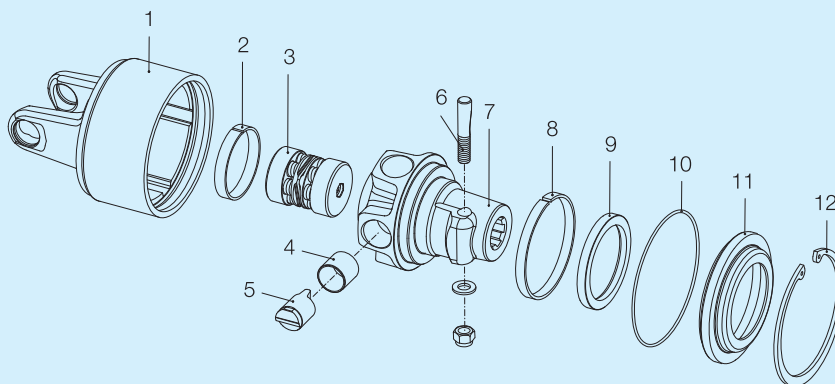
Size	Torque Nm	B (mm)				F mm	G mm	$\alpha$ °	Spare parts codes for use at 540 min <sup>-1</sup>			
		S 1 3/8" Z6	S 1 3/8" Z21	S 1 3/4" Z6	S 1 3/4" Z20				1 3/8" Z6	1 3/8" Z21	1 3/4" Z6	1 3/4" Z20
S6	2500	176	176	176	176	32	160	24°	6WG265003R	6WG265037R	6WG265004R	6WG265038R
	2900								6WH266003R	6WH266037R	6WH266004R	6WH266038R
S8	2500	184	184	184	184	42	160	19°	6WL265003R	6WL265037R	6WL265004R	6WL265038R
	3000								6WL270003R	6WL270037R	6WL270004R	6WL270038R
H8	2500	184	184	184	184	42	160	19°	6WL265003R	6WL265037R	6WL265004R	6WL265038R
	3000								6WL270003R	6WL270037R	6WL270004R	6WL270038R
S9	3000	192	192	192	192	49	180	18°	6WM270003R	6WM270037R	6WM270004R	6WM270038R

Size	Torque Nm	B (mm)				F mm	G mm	$\alpha$ °	Spare parts codes for LR24 with improved re-engagement			
		S 1 3/8" Z6	S 1 3/8" Z21	S 1 3/4" Z6	S 1 3/4" Z20				1 3/8" Z6	1 3/8" Z21	1 3/4" Z6	1 3/4" Z20
S6	2500	176	176	176	176	32	160	24°	6WGE65003R	6WGE65037R	6WGE65004R	6WGE65038R
H7	2300	184	184	184	184	29	160	28°			6WHE63901R (SX)	
	2600								6WHE66003R	6WHE66037R	6WHE66004R	6WHE66038R
	2900								6WHE69003R	6WHE69037R	6WHE69004R	6WHE69038R
S8	2500	184	184	184	184	42	160	19°	6WLE65003R	6WLE65037R	6WLE65004R	6WLE65038R
	3000								6WLE70003R	6WLE70037R	6WLE70004R	6WLE70038R
H8	2500	184	184	184	184	42	160	19°	6WLE65003R	6WLE65037R	6WLE65004R	6WLE65038R
	3000								6WLE70003R	6WLE70037R	6WLE70004R	6WLE70038R
S9	3000	192	192	192	192	49	180	18°	6WME70003R	6WME70037R	6WME70004R	6WME70038R

The codes in columns with heading **(SX)** are for counter-clockwise rotation. All other codes are for clockwise rotation.

For primary drivelines, always install any torque limiter or overrunning clutch on the implement side. All rotating parts must be guarded.

## LR24



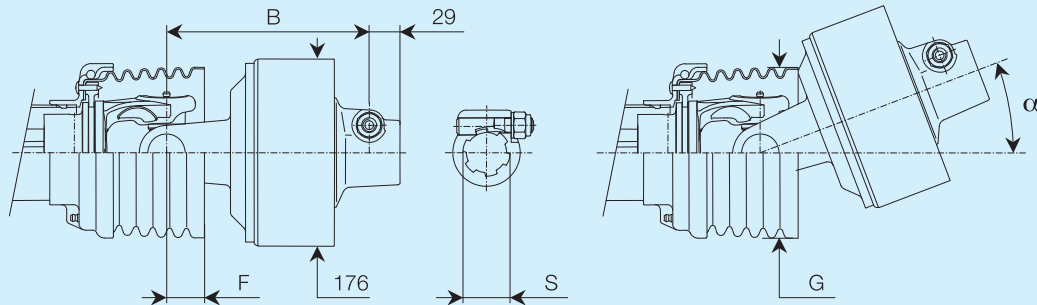
Ref.	Size	Spare parts codes for use at 540 min <sup>-1</sup>	Codes with improved re-engagement	Description	Technical data
1	S6	4310G2152R	4310GE151R	Outer housing	
	H7	431062152R	4310HE151R		
	S8 - H8	4310L2152R	4310LE151R		
	S9	431082152R	4310ME151R		
2		240000205R02	240000205R02	Bushing	
3		421166502R	421166505R	Spring kit*	2500 Nm
		421166601R	421166605R		2600 Nm
		421166902R	421166905R		2900 Nm
		421167001R	421167005R		3000 Nm
4		258000100R05	258000100R05	Sleeve	
5		250000108R05	250000101R05	Cam	
6		408000047R02	408000047R02	Taper pin	1 3/8" Z6 - Z21
		408000052R02	408000052R02		1 3/4" Z6 - Z20
7		515160301R	515160305R	Hub with taper pin and bushings	1 3/8" Z6
		515163701R	515163705R		1 3/8" Z21
		515160401R	515160405R		1 3/4" Z6
		515163801R	515163805R		1 3/4" Z20
8		240000201R02	240000201R02	Bushing	
9		355006080R02	355006080R02	Sealing ring	80 x 100 x 10 mm
10		358000006R02	358000006R02	O-ring	139 x 2.6 mm
11		240000202R02	240000202R02	Locking plate	
12		338000138R20	338000138R20	Snap ring	138 x 4 DIN 472/1

\* Other kits are available for use at 540 min<sup>-1</sup>: 1700 Nm - 1900 Nm - 2000 Nm - 2100 Nm - 2300 Nm.  
The codes should be requested from the commercial office.



For primary drivelines, always install any torque limiter or overrunning clutch on the implement side.  
All rotating parts must be guarded.

## LR35



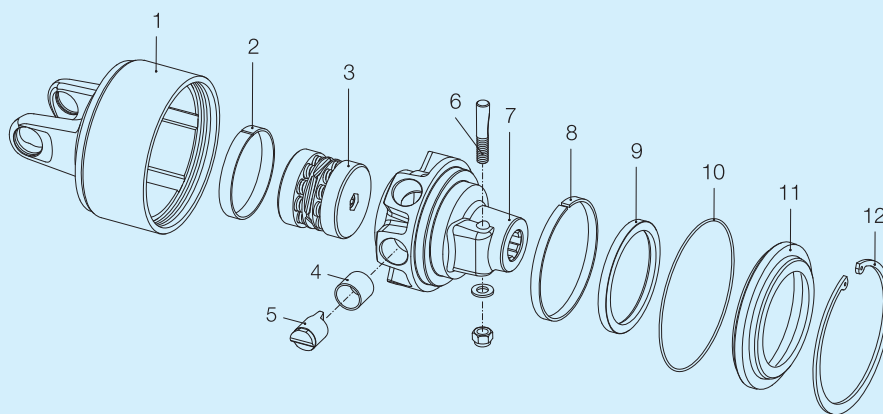
Size	Torque Nm	B (mm)				F mm	G mm	$\alpha$ °	Spare parts codes for use at 540 min <sup>-1</sup>			
		S 1 3/8" Z6	S 1 3/8" Z21	S 1 3/4" Z6	S 1 3/4" Z20				1 3/8" Z6	1 3/8" Z21	1 3/4" Z6	1 3/4" Z20
S8	3500	190	190	190	190	42	160	17°	6WL481003R	6WL481037R	6WL481004R	6WL481038R
											6WL481902R (SX)	
H8	3500	190	190	190	190	42	160	17°	6WL481003R	6WL481037R	6WL481004R	6WL481038R
											6WL481902R (SX)	
S9	3500	192	192	192	192	49	180	18°	6WM481003R	6WM481037R	6WM481004R	6WM481038R
									6WM488003R	6WM488037R	6WM488004R	6WM488038R
SH	3500	199	199	199	199	50	201	16°	6WN481003R	6WN481037R	6WN481004R	6WN481038R
	4100								6WN488003R	6WN488037R	6WN488004R	6WN488038R
	4500								6WN480003R	6WN480037R	6WN480004R	6WN480038R
S0	4100	217	217	217	217	46	201	28°	6WS488003R	6WS488037R	6WS488004R	6WS488038R
									6WS480003R	6WS480037R	6WS480004R	6WS480038R

The codes in columns with heading **(SX)** are for counter-clockwise rotation. All other codes are for clockwise rotation.

Size	Torque Nm	B (mm)				F mm	G mm	$\alpha$ °	Spare parts codes for LR35 with improved re-engagement			
		S 1 3/8" Z6	S 1 3/8" Z21	S 1 3/4" Z6	S 1 3/4" Z20				1 3/8" Z6	1 3/8" Z21	1 3/4" Z6	1 3/4" Z20
S8	3500	190	190	190	190	42	160	17°	6WLF81003R	6WLF81037R	6WLF81004R	6WLF81038R
H8	3500	190	190	190	190	42	160	17°	6WLF81003R	6WLF81037R	6WLF81004R	6WLF81038R
	4100								6WLF88003R	6WLF88037R	6WLF88004R	6WLF88038R
S9	3500	192	192	192	192	49	180	18°	6WMF81003R	6WMF81037R	6WMF81004R	6WMF81038R
	4100								6WMF88003R	6WMF88037R	6WMF88004R	6WMF88038R
SH	3500	199	199	199	199	50	201	16°	6WNF81003R	6WNF81037R	6WNF81004R	6WNF81038R
	4100								6WNF88003R	6WNF88037R	6WNF88004R	6WNF88038R
	4500								6WNF80003R	6WNF80037R	6WNF80004R	6WNF80038R
S0	4100	217	217	217	217	46	201	28°	6WSF88003R	6WSF88037R	6WSF88004R	6WSF88038R
									6WSF80003R	6WSF80037R	6WSF80004R	6WSF80038R

For primary drivelines, always install any torque limiter or overrunning clutch on the implement side. All rotating parts must be guarded.

## LR35



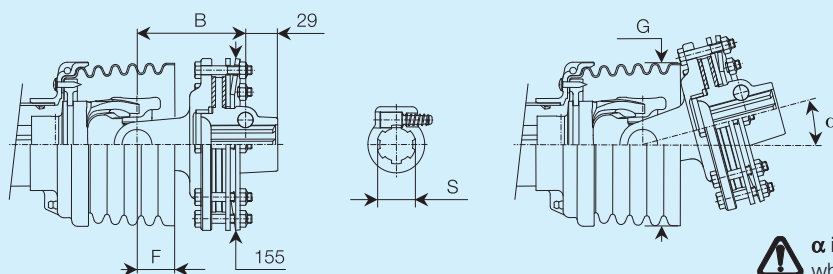
Ref.	Size	Spare parts codes for use at 540 min <sup>-1</sup>	Codes with improved re-engagement	Description	Technical data
1	S8 - H8	4310L4152R	4310LF151R	Outer housing + yoke	
	S9	431084151R	4310MF151R		
	SH	4310N4152R	4310NF151R		
	S0	4310S4151R	4310SF151R		
2		240000711R02	240000711R02	Bushing	
3		421188101R	421188105R	Spring kit	3500 Nm
		421188801R	421188805R		4100 Nm
		421188001R	421188005R		4500 Nm
4		258000100R05	258000100R05	Sleeve	
5		250000101R05	250000101R05	Cam	
6		408000047R02	408000047R02	Taper pin	1 3/8" Z6 - Z21
		408000052R02	408000046R02		1 3/4" Z6 - Z20
7		515180301R	515180305R	Hub with taper pin and bushings	1 3/8" Z6
		515183701R	515183705R		1 3/8" Z21
		515180401R	515180405R		1 3/4" Z6
		515183801R	515183805R		1 3/4" Z20
8		240000712R02	240000712R02	Bushing	
9		355000105R02	355000105R02	Sealing ring	105 x 125 x 10 mm
10		358000007R02	358000007R02	O-ring	64.7 x 2.6 mm
11		240000710R02	240000710R02	Locking plate	
12		338000162R20	338000162R20	Snap ring	162 x 4 DIN 472/1



For primary drivelines, always install any torque limiter or overrunning clutch on the implement side.  
All rotating parts must be guarded.

## FV22

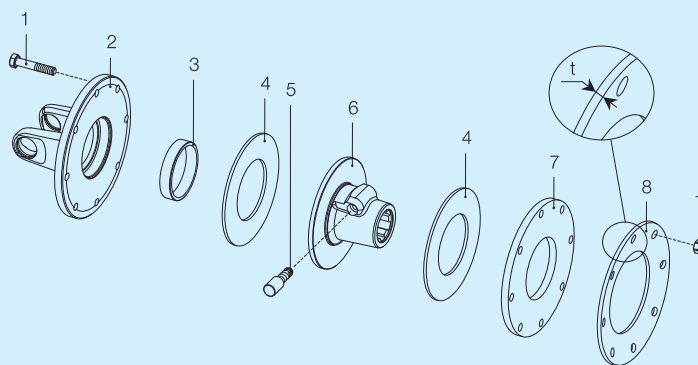
Adjustable setting



$\alpha$  is the joint angle at which the clutch will contact the shield.

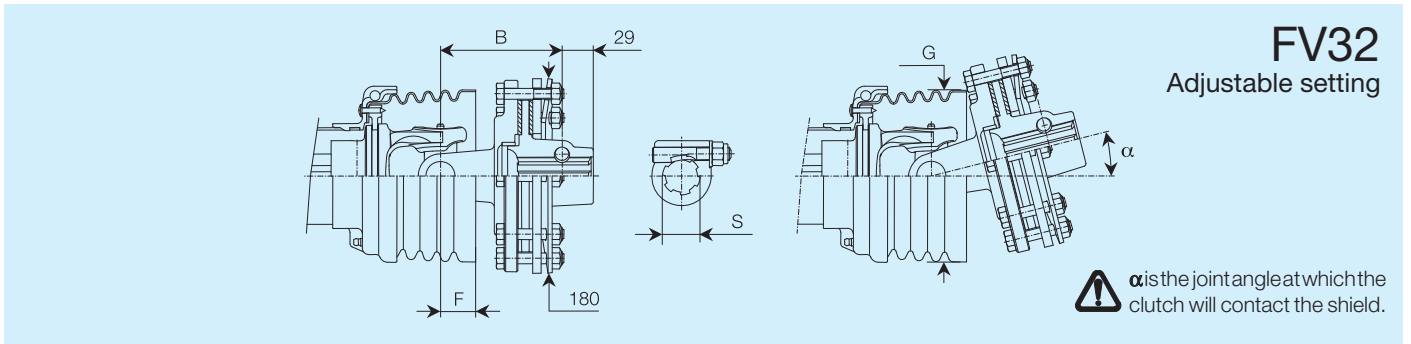
Size	Torque Nm	B (mm)				F mm	G mm	$\alpha$ °	Spare parts code			
		S 1 3/8" Z6	S 1 3/8" Z21	S 1 3/4" Z6	S 1 3/4" Z20				1 3/8" Z6	1 3/8" Z21	1 3/4" Z6	1 3/4" Z20
S1	*400	92	92	---	---	23	129	22°	661B24103R	661B24137R	---	---
	500								661B28103R	661B28137R	---	---
S2	500	100	100	---	---	42	146	6°	661C28103R	661C28137R	---	---
	*600								661C32103R	661C32137R	---	---
	800								661C39103R	661C39137R	---	---

\* Maximum recommended settings for 1000 min<sup>-1</sup> velocity



Ref.	Size	Spare parts code	Description	Technical data
1		432000003R08	Bolt	M8 x 50 mm
2	S1	2530B8503R	Flange yoke	
	S2	2530C8503R		
3		258005320R02	Bushing	
4		247006151R08	Friction lining	D = 124 ; d = 67 mm
5		403000001R10	Push-pin kit	1 3/8" Z6 - Z21
6		513850307R	Hub with push-pin	1 3/8" Z6
		513853707R		1 3/8" Z21
7		2481A0001R02	Pressure plate	Thickness = 4 mm
8		367005850R	Belleville spring	t = 3.75 mm

For primary drivelines, always install any torque limiter or overrunning clutch on the implement side. All rotating parts must be guarded.



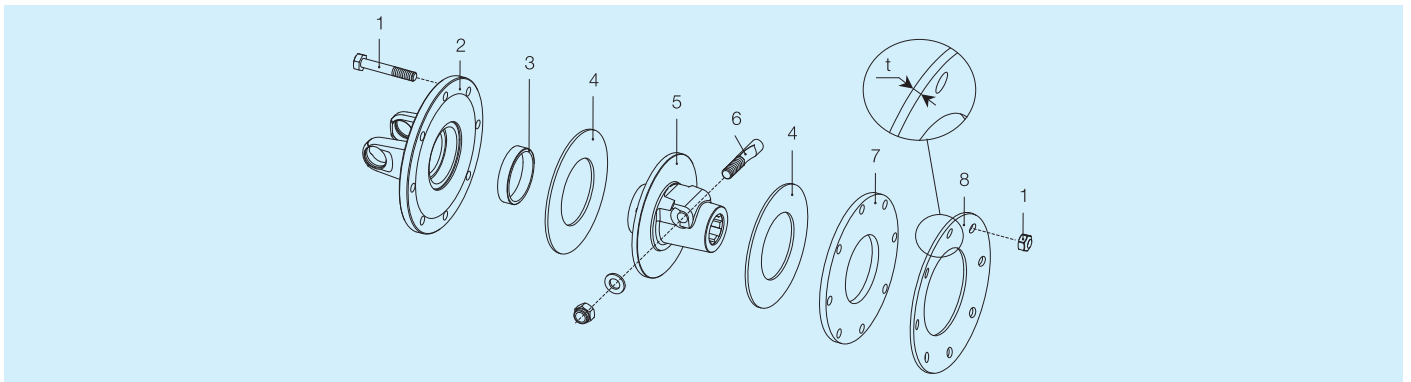
## FV32

Adjustable setting

$\alpha$  is the joint angle at which the clutch will contact the shield.

Size	Torque Nm	B (mm)				F mm	G mm	$\alpha$ °	Spare parts code			
		S 1 3/8" Z6	S 1 3/8" Z21	S 1 3/4" Z6	S 1 3/4" Z20				1 3/8" Z6	1 3/8" Z21	1 3/4" Z6	1 3/4" Z20
S4	*900	113	113	---	---	37	146	19°	661E41203R	661E41237R	---	---
	1000								661E44203R	661E44237R	---	---
	1100								661E46203R	661E46237R	---	---
S5	900	117	117	---	---	33	146	21°	661G41203R	661G41237R	---	---
	1000								661G44203R	661G44237R	---	---
	*1100								661G46203R	661G46237R	---	---
S6	900	117	117	---	---	33	160	24°	661G41203R	661G41237R	---	---
	1000								661G44203R	661G44237R	---	---
	*1100								661G46203R	661G46237R	---	---

\* Maximum recommended settings for 1000 min<sup>-1</sup> velocity

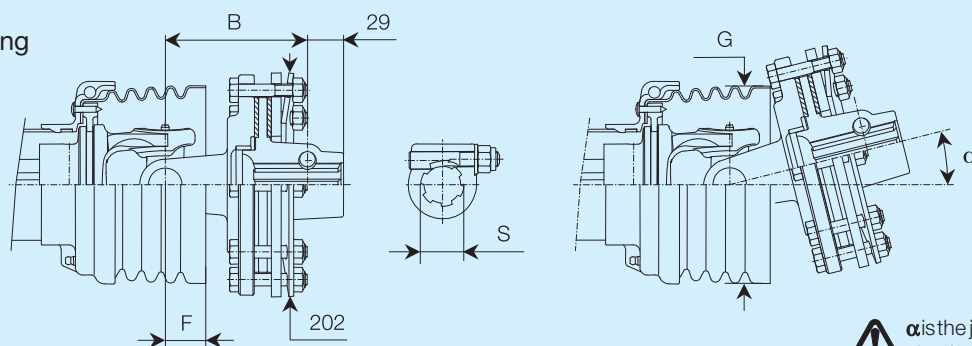


Ref.	Size	Spare parts code	Description	Technical data
1		432000054R08	Bolt	M10 x 55 mm
2	S4	253048602R	Flange yoke	
	S5 - S6	253058901R		
3		258005320R02	Bushing	
4		247006251R08	Friction linings	D = 141 ; d = 77 mm
5		515860305R	Hub with taper pin	1 3/8" Z6
		515863705R		1 3/8" Z21
6		408000047R02	Taper pin	1 3/8" Z6 - Z21
7		248860007R02	Pressure plate	Thickness = 8 mm
8		367008860R	Belleville spring	t = 3.75 mm

For primary drivelines, always install any torque limiter or overrunning clutch on the implement side.  
All rotating parts must be guarded.

## FV42

Adjustable setting

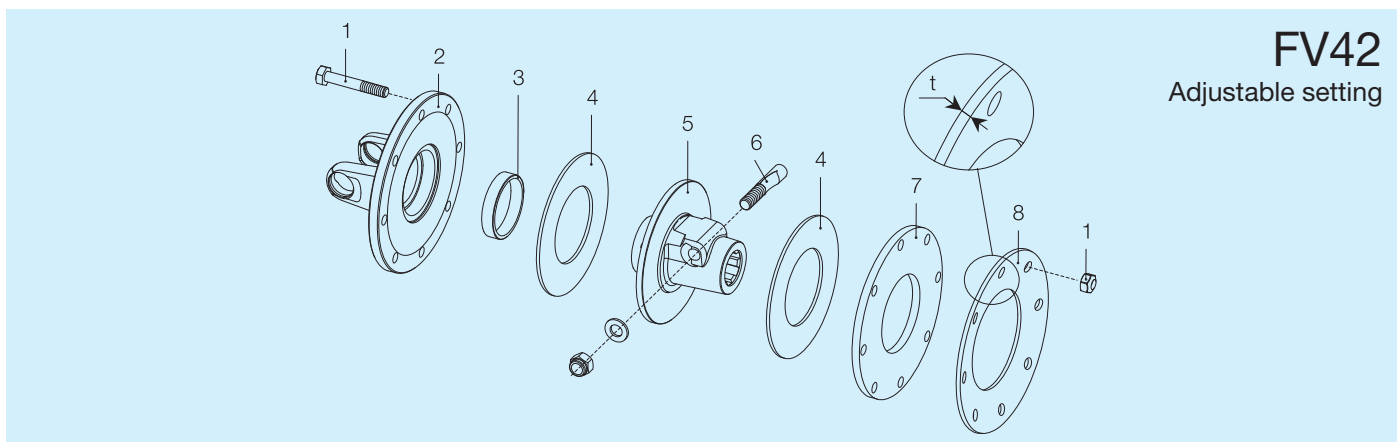


$\alpha$  is the joint angle at which the clutch will contact the shield.

Size	Torque Nm	B (mm)				F mm	G mm	$\alpha$ °	Spare parts code			
		S 1 3/8" Z6	S 1 3/8" Z21	S 1 3/4" Z6	S 1 3/4" Z20				1 3/8" Z6	1 3/8" Z21	1 3/4" Z6	1 3/4" Z20
S4	*1200	113	113	118	118	37	146	19°	661E48403R	661E48437R	661E48404R	661E48438R
	1350								661E51403R	661E51437R	661E51404R	661E51438R
S5	*1200	117	117	122	122	33	146	21°	661G48403R	661G48437R	661G48404R	661G48438R
	1350								661G51403R	661G51437R	661G51404R	661G51438R
	1450								661G53403R	661G53437R	661G53404R	661G53438R
	1600								661G56403R	661G56437R	661G56404R	661G56438R
S6	*1200	117	117	122	122	32	160	24°	661G48403R	661G48437R	661G48404R	661G48438R
	1350								661G51403R	661G51437R	661G51404R	661G51438R
	1450								661G53403R	661G53437R	661G53404R	661G53438R
	1600								661G56403R	661G56437R	661G56404R	661G56438R
H7	1200	125	125	130	130	29	160	26°	661H48403R	661H48437R	661H48404R	661H48438R
	1350								661H51403R	661H51437R	661H51404R	661H51438R
	*1450								661H53403R	661H53437R	661H53404R	661H53438R
	1600								661H56403R	661H56437R	661H56404R	661H56438R
	1800								661H58403R	661H58437R	661H58404R	661H58438R
S8	1350	131	131	136	136	42	160	17°	661L51403R	661L51437R	661L51404R	661L51438R
	1450								661L53403R	661L53437R	661L53404R	661L53438R
	1600								661L56403R	661L56437R	661L56404R	661L56438R
	*1800								661L58403R	661L58437R	661L58404R	661L58438R
H8	1350	131	131	136	136	42	160	17°	661L51403R	661L51437R	661L51404R	661L51438R
	1450								661L53403R	661L53437R	661L53404R	661L53438R
	1600								661L56403R	661L56437R	661L56404R	661L56438R
	*1800								661L58403R	661L58437R	661L58404R	661L58438R

\* Maximum recommended settings for 1000 min<sup>-1</sup> velocity

For primary drivelines, always install any torque limiter or overrunning clutch on the implement side. All rotating parts must be guarded.



**FV42**  
Adjustable setting

Ref.	Size	Spare parts code	Description	Technical data
1		432000008R08	Bolt	M10 x 60 mm
2	S4	2530D8701R	Flange yoke	
	S5 - S6	253058701R		
	H7	253069001R		
	S8 - H8	253078702R		
3		258005320R02	Bushing	
4		247006351R08	Friction linings	D = 162 ; d = 85 mm
5		515870305R	Hub with taper pin	1 3/8" Z6
		515873705R		1 3/8" Z21
		515870405R		1 3/4" Z6
		515873805R		1 3/4" Z20
6		408000047R02	Taper pin	1 3/8" Z6 - Z21
		408000046R02		1 3/4" Z6 - Z20
7		248870007R	Pressure plate	Thickness = 8 mm
8		367009870R	Belleville spring	t = 4.25 mm

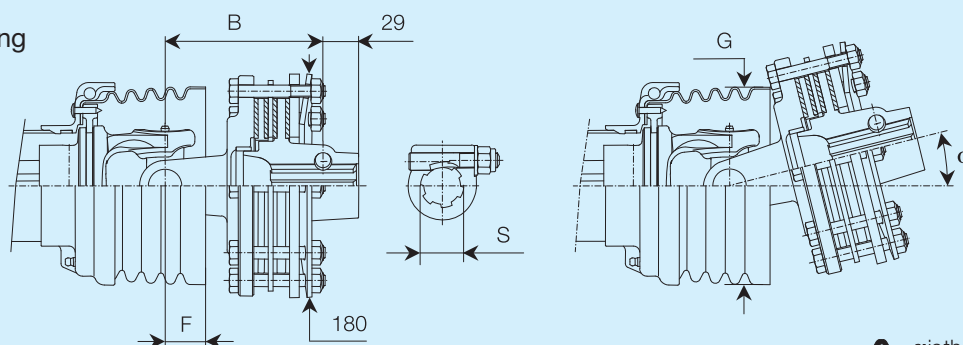


For primary drivelines, always install any torque limiter or overrunning clutch on the implement side.  
All rotating parts must be guarded.



## FV34

Adjustable setting

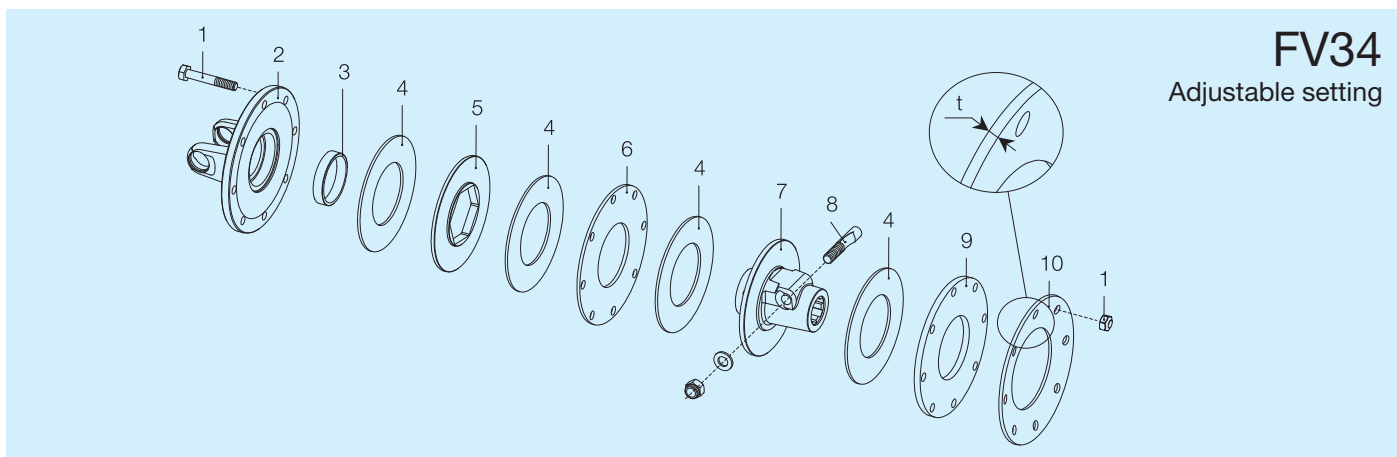


$\alpha$  is the joint angle at which the clutch will contact the shield.

Size	Torque Nm	B (mm)				F mm	G mm	$\alpha$ °	Spare parts code			
		S 1 3/8" Z6	S 1 3/8" Z21	S 1 3/4" Z6	S 1 3/4" Z20				1 3/8" Z6	1 3/8" Z21	1 3/4" Z6	1 3/4" Z20
S4	*1200	129	129	134	134	37	146	19°	661E48303R	661E48337R	661E48304R	661E48338R
	1350								661E51303R	661E51337R	661E51304R	661E51338R
S5	*1200	133	133	138	138	33	146	21°	661G48303R	661G48337R	661G48304R	661G48338R
	1350								661G51303R	661G51337R	661G51304R	661G51338R
	1450								661G53303R	661G53337R	661G53304R	661G53338R
	1600								661G56303R	661G56337R	661G56304R	661G56338R
S6	*1200	133	133	138	138	32	160	24°	661G48303R	661G48337R	661G48304R	661G48338R
	1350								661G51303R	661G51337R	661G51304R	661G51338R
	1450								661G53303R	661G53337R	661G53304R	661G53338R
	1600								661G56303R	661G56337R	661G56304R	661G56338R
H7	1200	140	140	145	145	29	160	26°	661H48303R	661H48337R	661H48304R	661H48338R
	1350								661H51303R	661H51337R	661H51304R	661H51338R
	*1450								661H53303R	661H53337R	661H53304R	661H53338R
	1600								661H56303R	661H56337R	661H56304R	661H56338R
	1800								661H58303R	661H58337R	661H58304R	661H58338R
S8	1350	146	146	151	151	42	160	18°	661L51303R	661L51337R	661L51304R	661L51338R
	1450								661L53303R	661L53337R	661L53304R	661L53338R
	1600								661L56303R	661L56337R	661L56304R	661L56338R
	*1800								661L58303R	661L58337R	661L58304R	661L58338R
	2000								661L60303R	661L60337R	661L60304R	661L60338R
H8	1350	146	146	151	151	42	160	18°	661L51303R	661L51337R	661L51304R	661L51338R
	1450								661L53303R	661L53337R	661L53304R	661L53338R
	1600								661L56303R	661L56337R	661L56304R	661L56338R
	*1800								661L58303R	661L58337R	661L58304R	661L58338R
	2000								661L60303R	661L60337R	661L60304R	661L60338R
S9	*1800	148	148	153	153	49	180	13°	661M58303R	661M58337R	661M58304R	661M58338R
	2000								661M60303R	661M60337R	661M60304R	661M60338R

\* Maximum recommended settings for 1000 min<sup>-1</sup> velocity

For primary drivelines, always install any torque limiter or overrunning clutch on the implement side. All rotating parts must be guarded.



**FV34**  
Adjustable setting

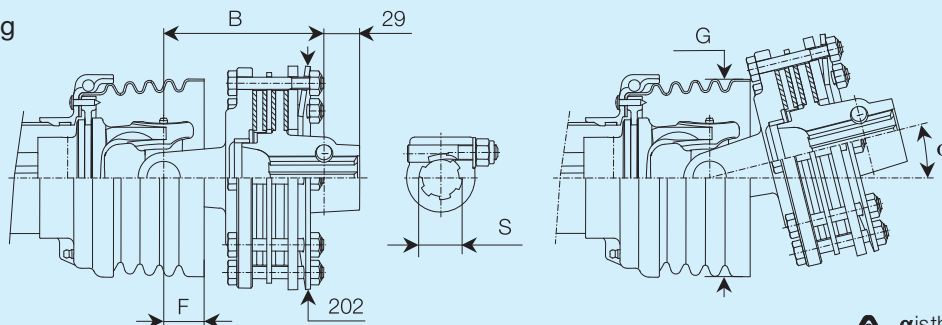
Ref.	Size	Spare parts code	Description	Technical data
1		432000114R08	Bolt	M10 x 75 mm
2	S4	253048602R	Flange yoke	
	S5 - S6	253058901R		
	H7	253068903R		
	S8 - H8	253078601R		
	S9	253088903R		
3		258005320R02	Bushing	
4		247006251R08	Friction linings	D = 141 ; d = 77 mm
5		248727702R02	Driving plate	
6		248860001R02	Inner plate	Thickness = 4 mm
7		515890305R	Hub with taper pin	1 3/8" Z6
		515893705R		1 3/8" Z21
		515890405R		1 3/4" Z6
		515893805R		1 3/4" Z20
8		408000047R02	Taper pin	1 3/8" Z6 - Z21
		408000049R02		1 3/4" Z6 - Z20
9		248860007R02	Pressure plate	Thickness = 8 mm
10		367008860R	Belleville spring	t = 3.75 mm



For primary drivelines, always install any torque limiter or overrunning clutch on the implement side.  
All rotating parts must be guarded.

## FV44

Adjustable setting

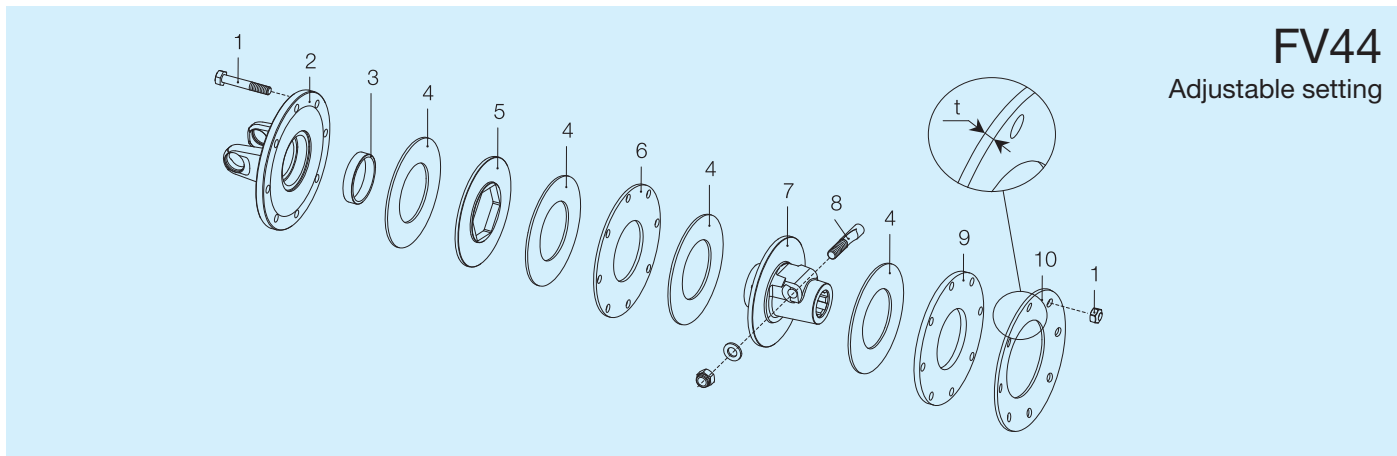


$\alpha$  is the joint angle at which the clutch will contact the shield.

Size	Torque Nm	B (mm)				F mm	G mm	$\alpha$ °	Spare parts code			
		S 1 3/8" Z6	S 1 3/8" Z21	S 1 3/4" Z6	S 1 3/4" Z20				1 3/8" Z6	1 3/8" Z21	1 3/4" Z6	1 3/4" Z20
<b>S8</b>	* 1800	147	147	152	152	42	160	17°	661L58503R	661L58537R	661L58504R	661L58538R
	2000								661L60503R	661L60537R	661L60504R	661L60538R
	2200								661L62503R	661L62537R	661L62504R	661L62538R
	2400								661L64503R	661L64537R	661L64504R	661L64538R
<b>H8</b>	*1800	147	147	152	152	42	160	17°	661L58503R	661L58537R	661L58504R	661L58538R
	2000								661L60503R	661L60537R	661L60504R	661L60538R
	2200								661L62503R	661L62537R	661L62504R	661L62538R
	2400								661L64503R	661L64537R	661L64504R	661L64538R
	2600								661L66503R	661L66537R	661L66504R	661L66538R
<b>S9</b>	1800	149	149	154	154	49	180	18°	661M58503R	661M58537R	661M58504R	661M58538R
	2000								661M60503R	661M60537R	661M60504R	661M60538R
	*2200								661M62503R	661M62537R	661M62504R	661M62538R
	2400								661M64503R	661M64537R	661M64504R	661M64538R
	2600								661M66503R	661M66537R	661M66504R	661M66538R
<b>SH</b>	2200	150	150	155	155	50	201	12°	661N62503R	661N62537R	661N62504R	661N62538R
	*2400								661N64503R	661N64537R	661N64504R	661N64538R
	2600								661N66503R	661N66537R	661N66504R	661N66538R
	2800								661N68503R	661N68537R	661N68504R	661N68538R
<b>S0</b>	2200	163	163	168	168	46	201	21°	661S62503R	661S62537R	661S62504R	661S62538R
	2400								661S64503R	661S64537R	661S64504R	661S64538R
	*2600								661S66503R	661S66537R	661S66504R	661S66538R
	2800								661S68503R	661S68537R	661S68504R	661S68538R
	3000								661S70503R	661S70537R	661S70504R	661S70538R

\* Maximum recommended settings for 1000 min<sup>-1</sup> velocity

For primary drivelines, always install any torque limiter or overrunning clutch on the implement side. All rotating parts must be guarded.



**FV44**  
Adjustable setting

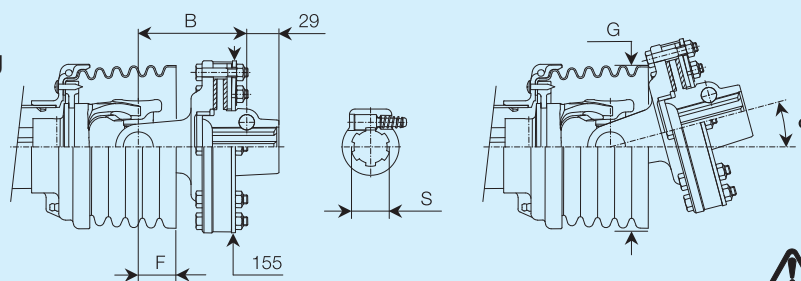
Ref.	Size	Spare parts code	Description	Technical data
1		432000114R08	Bolt	M10 x 75 mm
2	S8 - H8	253078702R	Flange yoke	
	S9	253089001R		
	SH	2530N9001R		
	S0	2530S1F01R		
3		258005320R02	Bushing	
4		247006351R08	Friction lining	D = 162 ; d = 85 mm
5		248737702R02	Driving plate	
6		248870011R02	Inner plate	Thickness = 4 mm
7		515900305R	Hub with taper pin	1 3/8" Z6
		515903705R		1 3/8" Z21
		515900405R		1 3/4" Z6
		515903805R		1 3/4" Z20
8		408000047R02	Taper pin	1 3/8" Z6 - Z21
		408000046R02		1 3/4" Z6 - Z20
9		248870007R	Pressure plate	Thickness = 8 mm
10		367009870R	Belleville spring	t = 4.25 mm



For primary drivelines, always install any torque limiter or overrunning clutch on the implement side.  
All rotating parts must be guarded.

## FT22

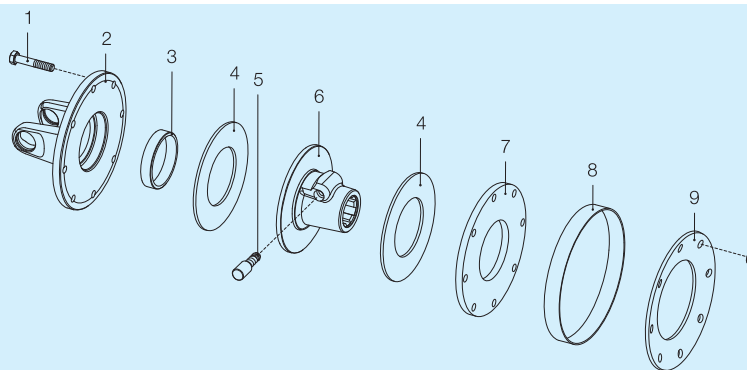
Non-adjustable setting



$\alpha$  is the joint angle at which the clutch will contact the shield.

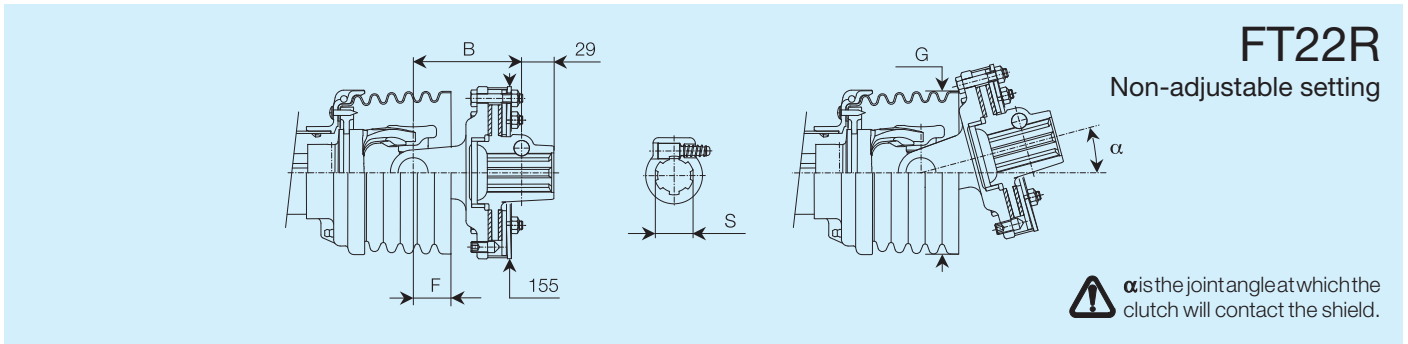
Size	Torque Nm	B (mm)				F mm	G mm	$\alpha$ °	Spare parts code			
		S 1 3/8" Z6	S 1 3/8" Z21	S 1 3/4" Z6	S 1 3/4" Z20				1 3/8" Z6	1 3/8" Z21	1 3/4" Z6	1 3/4" Z20
S1	* 400	92	92	---	---	23	129	22°	663B24103R	663B24137R	---	---
	500								663B28103R	663B28137R	---	---
S2	500	100	100	---	---	42	146	6°	663C28103R	663C28137R	---	---
	* 600								663C32103R	663C32137R	---	---
	800								663C39103R	663C39137R	---	---

\* Maximum recommended settings for 1000 min<sup>-1</sup> velocity



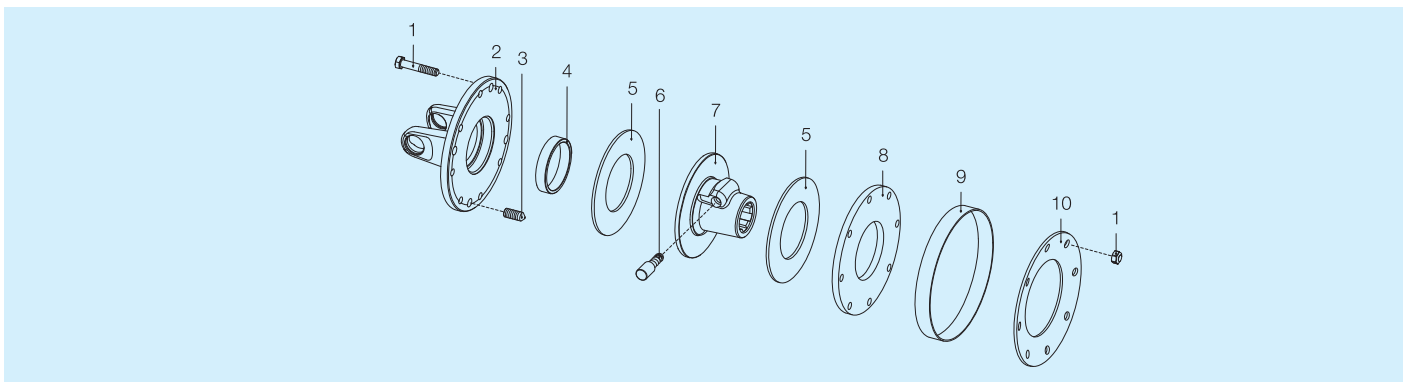
Ref.	Size	Spare parts code	Description	Technical data
1		432000047R08	Bolt	M8 x 45 mm
2	S1	2530B8503R	Flange yoke	
	S2	2530C8503R		
3		258005320R02	Bushing	
4		247006151R08	Friction lining	D = 124 ; d = 67 mm
5		403000001R10	Push-pin kit	1 3/8" Z6 - Z21
6		513850307R	Hub with push-pin	1 3/8" Z6
		513853707R		1 3/8" Z21
7		2481A0002R02	Pressure plate	Thickness = 4 mm
8		240001059R02	Adjustment band	
9		367FT220A	Belleville spring	400 Nm
		367FT220C		500 Nm
		367FT220D		600 Nm
		367FT220E		800 Nm

For primary drivelines, always install any torque limiter or overrunning clutch on the implement side.  
All rotating parts must be guarded.



Size	Torque Nm	B (mm)				F mm	G mm	$\alpha$ °	Spare parts code			
		S 1 3/8" Z6	S 1 3/8" Z21	S 1 3/4" Z6	S 1 3/4" Z20				1 3/8" Z6	1 3/8" Z21	1 3/4" Z6	1 3/4" Z20
S1	* 400	92	92	---	---	23	129	22°	663B24A03R	663B24A37R	---	---
	500								663B28A03R	663B28A37R	---	---
S2	500	100	100	---	---	42	146	6°	663C28A03R	663C28A37R	---	---
	* 600								663C32A03R	663C32A37R	---	---
	800								663C39A03R	663C39A37R	---	---

\* Maximum recommended settings for 1000 min<sup>-1</sup> velocity

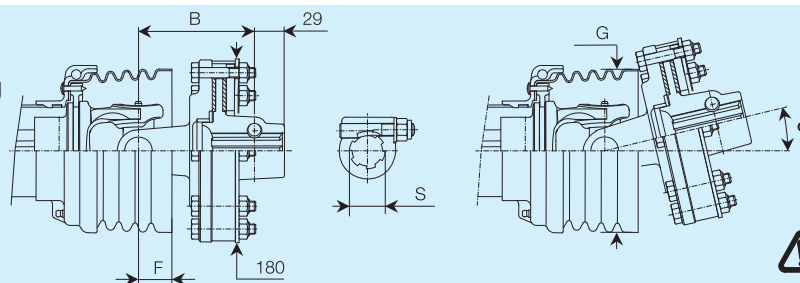


Ref.	Size	Spare parts code	Description	Technical data
1		432000047R08	Bolt	M8 x 45 mm
2	S1	2530B8504R	Flange yoke	
	S2	2530C8504R		
3		310001300R04	Special socket head set screw	M10 x 25 mm
4		258005320R02	Bushing	
5		247006151R08	Friction lining	D = 124 ; d = 67 mm
6		403000001R10	Push-pin kit	1 3/8" Z6 - Z21
7		513850307R	Hub with push-pin	1 3/8" Z6
		513853707R		1 3/8" Z21
8		2481A0002R02	Pressure plate	Thickness = 4 mm
9		240001059R02	Adjustment band	
10		367FT220A	Belleville spring	400 Nm
		367FT220C		500 Nm
		367FT220D		600 Nm
		367FT220E		800 Nm

For primary drivelines, always install any torque limiter or overrunning clutch on the implement side. All rotating parts must be guarded.

## FT32

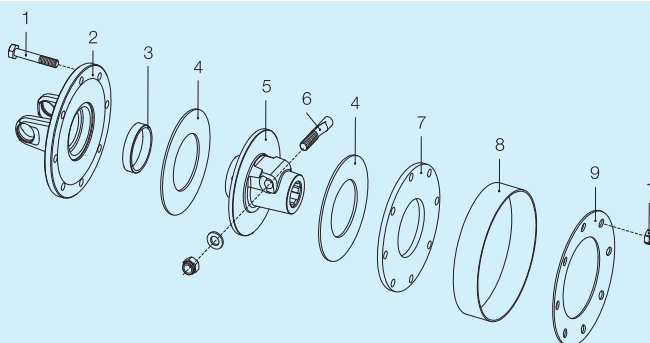
Non-adjustable setting



$\alpha$  is the joint angle at which the clutch will contact the shield.

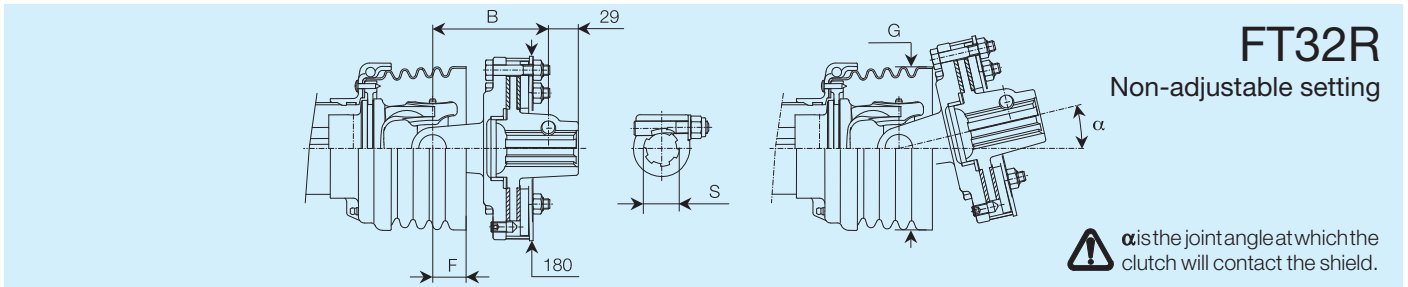
Size	Torque Nm	B (mm)				F mm	G mm	$\alpha$ °	Spare parts code			
		S 1 3/8" Z6	S 1 3/8" Z21	S 1 3/4" Z6	S 1 3/4" Z20				1 3/8" Z6	1 3/8" Z21	1 3/4" Z6	1 3/4" Z20
S4	*900	113	113	---	---	37	146	19°	663E41203R	663E41237R	---	---
	1000								663E44203R	663E44237R	---	---
	1100								663E46203R	663E46237R	---	---
S5	900	117	117	---	---	33	146	21°	663G41203R	663G41237R	---	---
	1000								663G44203R	663G44237R	---	---
	*1100								663G46203R	663G46237R	---	---
S6	900	117	117	---	---	32	160	24°	663G41203R	663G41237R	---	---
	1000								663G44203R	663G44237R	---	---
	*1100								663G46203R	663G46237R	---	---

\* Maximum recommended settings for 1000 min<sup>-1</sup> velocity



Ref.	Size	Spare parts code	Description	Technical data
1		432000054R08	Bolt	M10 x 55 mm
2	S4	253048602R	Flange yoke	
	S5 - S6	253058901R		
3		258005320R02	Bushing	
4		247006251R08	Friction lining	D = 141 ; d = 77 mm
5		515860305R	Hub with taper pin	1 3/8" Z6
		515863705R		1 3/8" Z21
6		408000047R02	Taper pin	1 3/8" Z6 - Z21
7		248860005R02	Pressure plate	Thickness = 8 mm
8		240000213R02	Adjustment band	
9		367FT320A	Belleville spring	900 Nm
		367FT320C		1000 Nm
		367FT320D		1100 Nm

For primary drivelines, always install any torque limiter or overrunning clutch on the implement side.  
All rotating parts must be guarded.



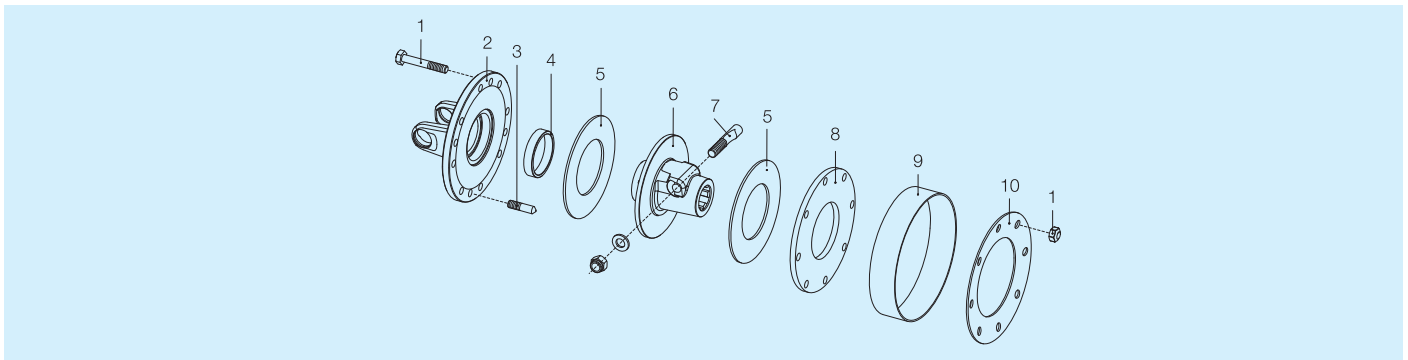
## FT32R

Non-adjustable setting

$\alpha$  is the joint angle at which the clutch will contact the shield.

Size	Torque Nm	B (mm)				F mm	G mm	$\alpha$ °	Spare parts code			
		S 1 3/8" Z6	S 1 3/8" Z21	S 1 3/4" Z6	S 1 3/4" Z20				1 3/8" Z6	1 3/8" Z21	1 3/4" Z6	1 3/4" Z20
S4	*900	113	113	---	---	37	146	19°	663E41C03R	663E41C37R	---	---
	1000								663E44C03R	663E44C37R	---	---
	1100								663E46C03R	663E46C37R	---	---
S5	900	117	117	---	---	33	146	21°	663G41C03R	663G41C37R	---	---
	1000								663G44C03R	663G44C37R	---	---
	*1100								663G46C03R	663G46C37R	---	---
S6	900	117	117	---	---	32	160	24°	663G41C03R	663G41C37R	---	---
	1000								663G44C03R	663G44C37R	---	---
	*1100								663G46C03R	663G46C37R	---	---

\* Maximum recommended settings for 1000 min<sup>-1</sup> velocity



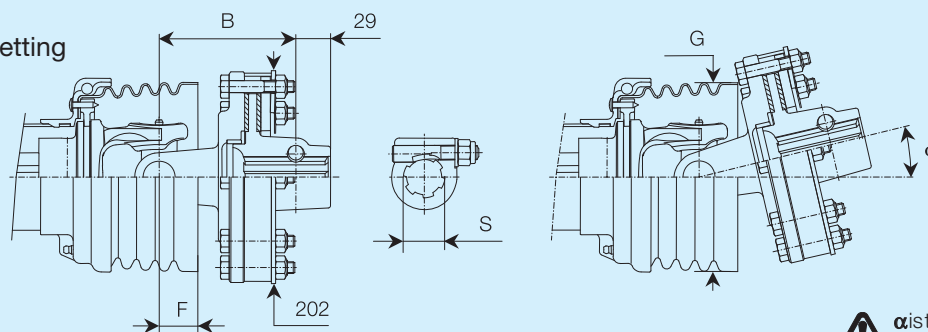
Ref.	Size	Spare parts code	Description	Technical data
1		432000054R08	Bolt	M10 x 55 mm
2	S4	2530E8605R	Flange yoke	
	S5 - S6	2530G8605R		
3		310001300R04	Special socket head set screw	M10 x 25 mm
4		258005320R02	Bushing	
5		247006251R08	Friction lining	D = 141 ; d = 77 mm
6		515860305R	Hub with taper pin	1 3/8" Z6
		515863705R		1 3/8" Z21
7		408000047R02	Taper pin	1 3/8" Z6 - Z21
8		248860005R02	Pressure plate	Thickness = 8 mm
9		240000213R02	Adjustment band	
10		367FT320A	Belleville spring	900 Nm
		367FT320C		1000 Nm
		367FT320D		1100 Nm

For primary drivelines, always install any torque limiter or overrunning clutch on the implement side. All rotating parts must be guarded.



## FT42

Non-adjustable setting

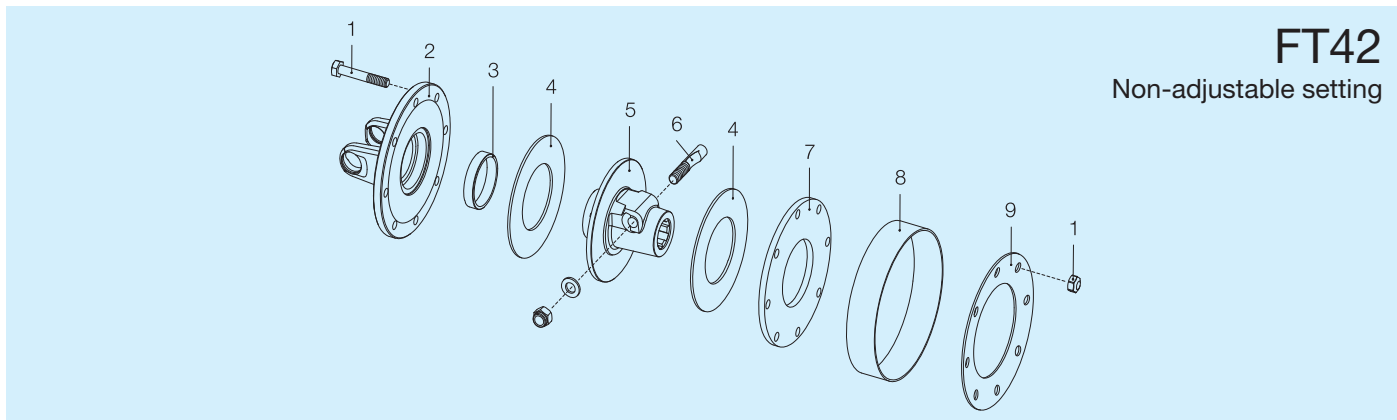


$\alpha$  is the joint angle at which the clutch will contact the shield.

Size	Torque Nm	B (mm)				F mm	G mm	$\alpha$ °	Spare parts code			
		S 1 3/8" Z6	S 1 3/8" Z21	S 1 3/4" Z6	S 1 3/4" Z20				1 3/8" Z6	1 3/8" Z21	1 3/4" Z6	1 3/4" Z20
S5	1200	117	117	122	122	33	146	21°	663G48403R	663G48437R	663G48404R	663G48438R
	*1200	117	117	122	122	32	160	24°	663G48403R	663G48437R	663G48404R	663G48438R
H7	1450								663G53403R	663G53437R	663G53404R	663G53438R
	1200	125	125	130	130	29	160	26°	663H48403R	663H48437R	663H48404R	663H48438R
	*1450								663H53403R	663H53437R	663H53404R	663H53438R
S8	1800								663H58403R	663H58437R	663H58404R	663H58438R
	*1450	131	131	136	136	42	160	17°	663L53403R	663L53437R	663L53404R	663L53438R
	1800								663L58403R	663L58437R	663L58404R	663L58438R
H8	*1450	131	131	136	136	42	160	17°	663L53403R	663L53437R	663L53404R	663L53438R
	1800								663L58403R	663L58437R	663L58404R	663L58438R

\* Maximum recommended settings for 1000 min<sup>-1</sup> velocity

For primary drivelines, always install any torque limiter or overrunning clutch on the implement side. All rotating parts must be guarded.



**FT42**  
Non-adjustable setting

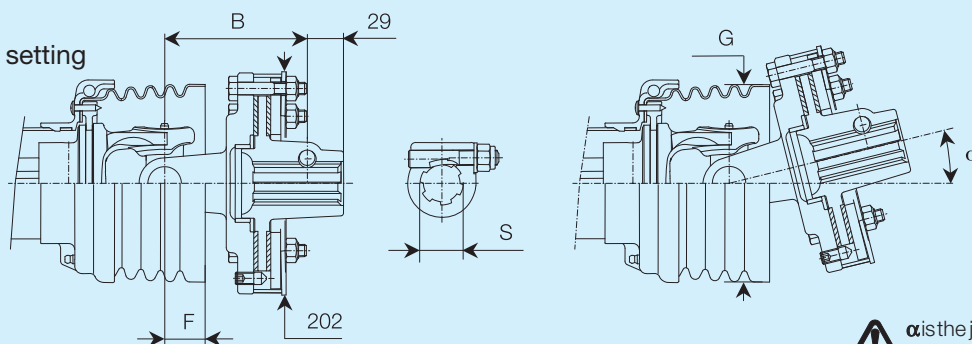
Ref.	Size	Spare parts code	Description	Technical data
1		432000054R08	Bolt	M10 x 55 mm
2	S5 - S6	253058701R	Flange yoke	
	H7	253069001R		
	S8 - H8	253078702R		
3		258005320R02	Bushing	
4		247006351R08	Friction lining	D = 162 ; d = 85 mm
5		515870305R	Hub with taper pin	1 3/8" Z6
		515873705R		1 3/8" Z21
		515870405R		1 3/4" Z6
		515873805R		1 3/4" Z20
6		408000047R02	Taper pin	1 3/8" Z6 - Z21
		408000046R02		1 3/4" Z6 - Z20
7		248870005R	Pressure plate	Thickness = 8 mm
8		240000214R02	Adjustment band	
9		367FT420A	Belleville spring	1200 Nm
		367FT420C		1450 Nm
		367FT420D		1800 Nm



For primary drivelines, always install any torque limiter or overrunning clutch on the implement side.  
All rotating parts must be guarded.

## FT42R

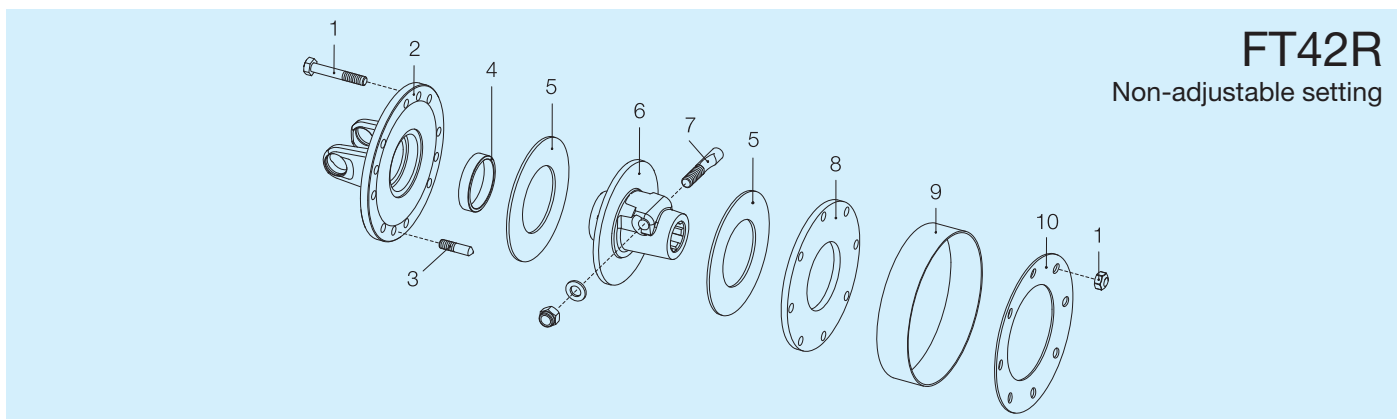
Non-adjustable setting



Size	Torque Nm	B (mm)				F mm	G mm	$\alpha$ °	Spare parts code			
		S 1 3/8" Z6	S 1 3/8" Z21	S 1 3/4" Z6	S 1 3/4" Z20				1 3/8" Z6	1 3/8" Z21	1 3/4" Z6	1 3/4" Z20
S5	1200	117	117	122	122	33	146	21°	663G48F03R	663G48F37R	663G48F04R	663G48F38R
	*1200	117	117	122	122	32	160	24°	663G48F03R	663G48F37R	663G48F04R	663G48F38R
H7	1450								663G53F03R	663G53F37R	663G53F04R	663G53F38R
	1200	125	125	130	130	29	160	26°	663H48F03R	663H48F37R	663H48F04R	663H48F38R
	*1450								663H53F03R	663H53F37R	663H53F04R	663H53F38R
S8	1800								663H58F03R	663H58F37R	663H58F04R	663H58F38R
	*1450	131	131	136	136	42	160	17°	663L53F03R	663L53F37R	663L53F04R	663L53F38R
	1800								663L58F03R	663L58F37R	663L58F04R	663L58F38R
H8	*1450	131	131	136	136	42	160	17°	663L53F03R	663L53F37R	663L53F04R	663L53F38R
	1800								663L58F03R	663L58F37R	663L58F04R	663L58F38R

\* Maximum recommended settings for 1000 min<sup>-1</sup> velocity

For primary drivelines, always install any torque limiter or overrunning clutch on the implement side. All rotating parts must be guarded.



**FT42R**  
Non-adjustable setting

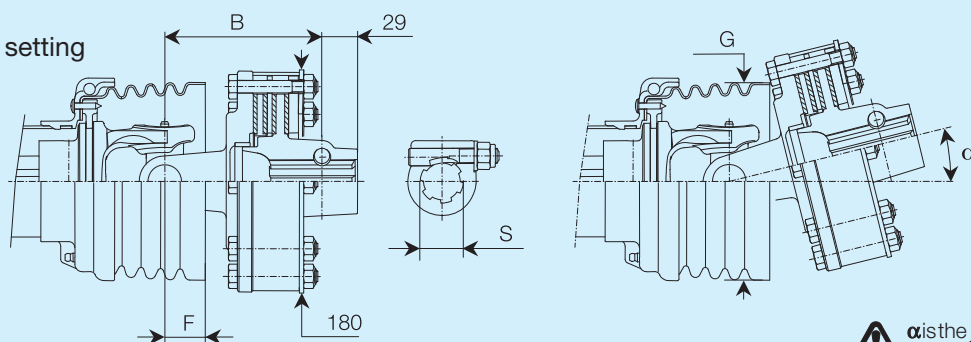
Ref.	Size	Spare parts code	Description	Technical data
1		432000054R08	Bolt	M10 x 55 mm
2	S5 - S6	2530G8705R	Flange yoke	
	H7	2530H8705R		
	S8 - H8	2530L8705R		
3		310001300R04	Special socket head set screw	M10 x 25 mm
4		258005320R02	Bushing	
5		247006351R08	Friction lining	D = 162 ; d = 85 mm
6		515870305R	Hub with taper pin	1 3/8" Z6
		515873705R		1 3/8" Z21
		515870405R		1 3/4" Z6
		515873805R		1 3/4" Z20
7		408000047R02	Taper pin	1 3/8" Z6 - Z21
		408000046R02		1 3/4" Z6 - Z20
8		248870005R	Pressure plate	Thickness = 8 mm
9		240000214R02	Adjustment band	
10		367FT420A	Belleville spring	1200 Nm
		367FT420C		1450 Nm
		367FT420D		1800 Nm



For primary drivelines, always install any torque limiter or overrunning clutch on the implement side.  
All rotating parts must be guarded.

## FT34

Non-adjustable setting

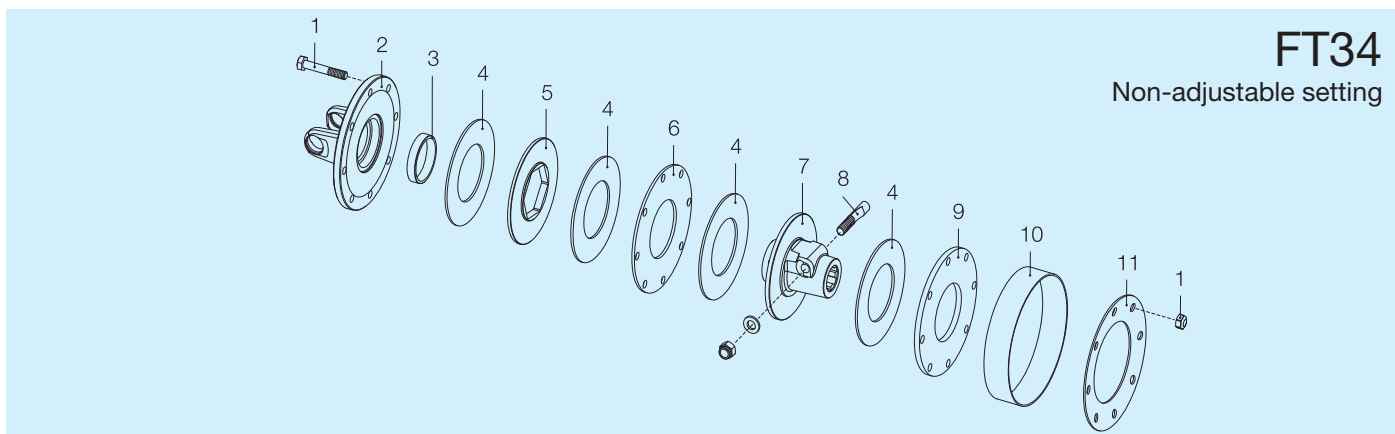


$\alpha$  is the joint angle at which the clutch will contact the shield.

Size	Torque Nm	B (mm)				F mm	G mm	$\alpha$ °	Spare parts code			
		S 1 3/8" Z6	S 1 3/8" Z21	S 1 3/4" Z6	S 1 3/4" Z20				1 3/8" Z6	1 3/8" Z21	1 3/4" Z6	1 3/4" Z20
S6	*1200	133	133	138	138	32	160	24°	663G48303R	663G48337R	663G48304R	663G48338R
	1450								663G53303R	663G53337R	663G53304R	663G53338R
H7	1200	140	140	145	145	29	160	28°	663H48303R	663H48337R	663H48304R	663H48338R
	*1450								663H53303R	663H53337R	663H53304R	663H53338R
	1800								663H58303R	663H58337R	663H58304R	663H58338R
S8	1450	146	146	151	151	42	160	18°	663L53303R	663L53337R	663L53304R	663L53338R
	*1800								663L58303R	663L58337R	663L58304R	663L58338R
H8	1450	146	146	151	151	42	160	18°	663L53303R	663L53337R	663L53304R	663L53338R
	*1800								663L58303R	663L58337R	663L58304R	663L58338R
S9	*1800	148	148	153	153	49	180	13°	663M58303R	663M58337R	663M58304R	663M58338R

\* Maximum recommended settings for 1000 min<sup>-1</sup> velocity

For primary drivelines, always install any torque limiter or overrunning clutch on the implement side. All rotating parts must be guarded.



## FT34

Non-adjustable setting

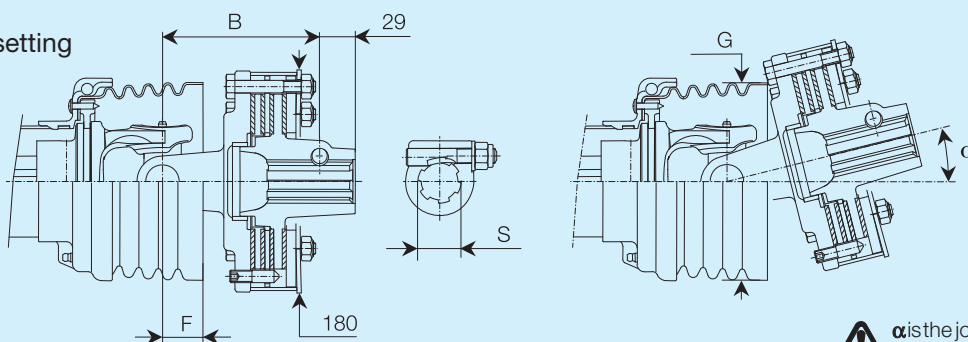
Ref.	Size	Spare parts code	Description	Technical data
1		432000045R08	Bolt	M10 x 65 mm
2	S6	253058901R	Flange yoke	
	H7	253068903R		
	S8 - H8	253078601R		
	S9	253088903R		
3		258005320R02	Bushing	
4		247006251R08	Friction lining	D = 141 ; d = 77 mm
5		248727702R02	Driving plate	
6		248860001R02	Inner plate	Thickness = 4 mm
7		515890305R	Hub with taper pin	1 3/8" Z6
		515893705R		1 3/8" Z21
		515890405R		1 3/4" Z6
		515893805R		1 3/4" Z20
8		408000047R02	Taper pin	1 3/8" Z6 - Z21
		408000049R02		1 3/4" Z6 - Z20
9		248860005R02	Pressure plate	Thickness = 8 mm
10		240000218R02	Adjustment band	
11		367FT340A	Belleville spring	1200 Nm
		367FT340C		1450 Nm
		367FT340D		1800 Nm



For primary drivelines, always install any torque limiter or overrunning clutch on the implement side.  
All rotating parts must be guarded.

## FT34R

Non-adjustable setting

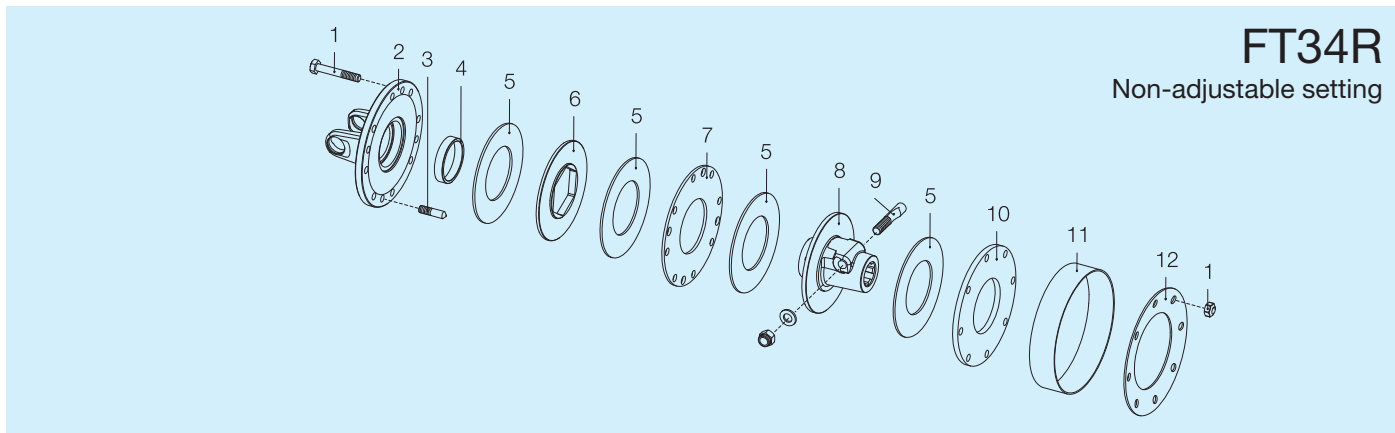


$\alpha$  is the joint angle at which the clutch will contact the shield.

Size	Torque Nm	B (mm)				F mm	G mm	$\alpha$ °	Spare parts code			
		S 1 3/8" Z6	S 1 3/8" Z21	S 1 3/4" Z6	S 1 3/4" Z20				1 3/8" Z6	1 3/8" Z21	1 3/4" Z6	1 3/4" Z20
S6	*1200	133	133	138	138	32	160	24°	663G48E03R	663G48E37R	663G48E04R	663G48E38R
	1450								663G53E03R	663G53E37R	663G53E04R	663G53E38R
H7	1200	140	140	145	145	29	160	28°	663H48E03R	663H48E37R	663H48E04R	663H48E38R
	*1450								663H53E03R	663H53E37R	663H53E04R	663H53E38R
	1800								663H58E03R	663H58E37R	663H58E04R	663H58E38R
S8	1450	146	146	151	151	42	160	18°	663L53E03R	663L53E37R	663L53E04R	663L53E38R
	*1800								663L58E03R	663L58E37R	663L58E04R	663L58E38R
H8	1450	146	146	151	151	42	160	18°	663L53E03R	663L53E37R	663L53E04R	663L53E38R
	*1800								663L58E03R	663L58E37R	663L58E04R	663L58E38R
S9	*1800	148	148	153	153	49	180	13°	663M58E03R	663M58E37R	663M58E04R	663M58E38R

\* Maximum recommended settings for 1000 min<sup>-1</sup> velocity

For primary drivelines, always install any torque limiter or overrunning clutch on the implement side. All rotating parts must be guarded.



## FT34R

Non-adjustable setting

Ref.	Size	Spare parts code	Description	Technical data
1		432000045R08	Bolt	M10 x 65 mm
2	S6	2530G8605R	Flange yoke	
	H7	2530H8605R		
	S8 - H8	2530L8605R		
	S9	2530M8605R		
3		310001301R04	Special socket head set screw	M10 x 40 mm
4		258005320R02	Bushing	
5		247006251R08	Friction lining	D = 141 ; d = 77 mm
6		248727702R02	Driving plate	
7		248860006R02	Inner plate	Thickness = 4 mm
8		515890305R	Hub with taper pin	1 3/8" Z6
		515893705R		1 3/8" Z21
		515890405R		1 3/4" Z6
		515893805R		1 3/4" Z20
9		408000047R02	Taper pin	1 3/8" Z6 - Z21
		408000049R02		1 3/4" Z6 - Z20
10		248860005R02	Pressure plate	Thickness = 8 mm
11		240000218R02	Adjustment band	
12		367FT340A	Belleville spring	1200 Nm
		367FT340C		1450 Nm
		367FT340D		1800 Nm

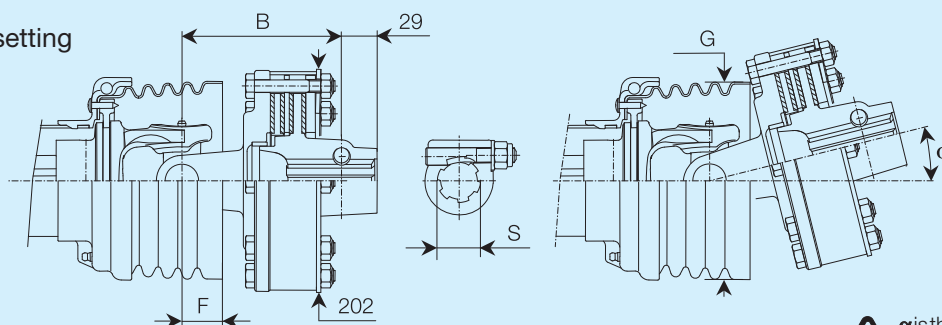


For primary drivelines, always install any torque limiter or overrunning clutch on the implement side.  
All rotating parts must be guarded.



## FT44

Non-adjustable setting

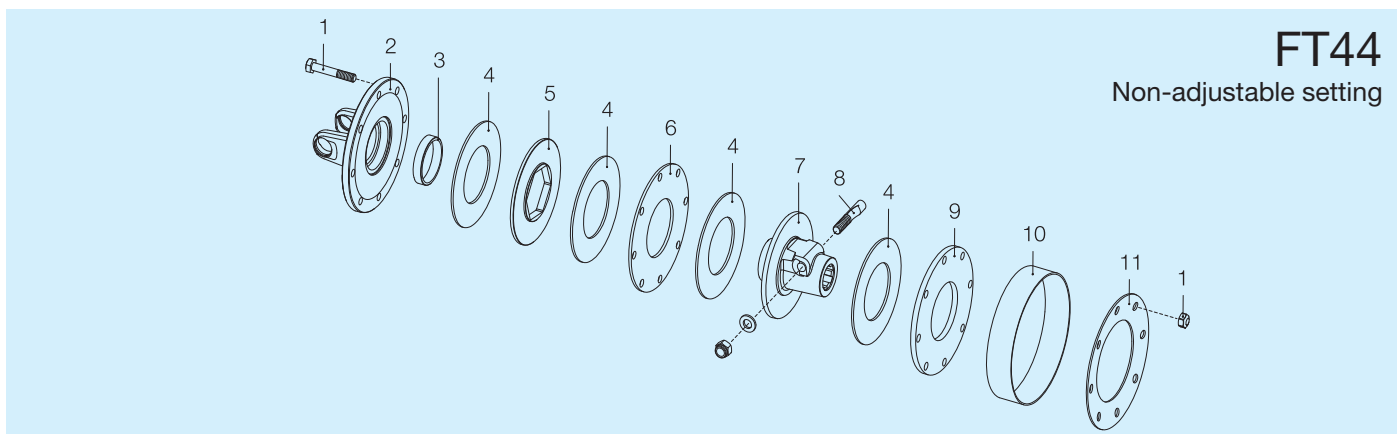


$\alpha$  is the joint angle at which the clutch will contact the shield.

Size	Torque Nm	B (mm)				F mm	G mm	$\alpha$ °	Spare parts code			
		S 1 3/8" Z6	S 1 3/8" Z21	S 1 3/4" Z6	S 1 3/4" Z20				1 3/8" Z6	1 3/8" Z21	1 3/4" Z6	1 3/4" Z20
S8	*1800	147	147	152	152	42	160	17°	663L58503R	663L58537R	663L58504R	663L58538R
	2200								663L62503R	663L62537R	663L62504R	663L62538R
H8	*1800	147	147	152	152	42	160	17°	663L58503R	663L58537R	663L58504R	663L58538R
	2200								663L62503R	663L62537R	663L62504R	663L62538R
	2400								663L64503R	663L64537R	663L64504R	663L64538R
	2600								663L66503R	663L66537R	663L66504R	663L66538R
S9	1800	149	149	154	154	49	180	18°	663M58503R	663M58537R	663M58504R	663M58538R
	*2200								663M62503R	663M62537R	663M62504R	663M62538R
	2400								663M64503R	663M64537R	663M64504R	663M64538R
	2600								663M66503R	663M66537R	663M66504R	663M66538R
SH	2200	150	150	155	155	50	201	12°	663N62503R	663N62537R	663N62504R	663N62538R
	*2400								663N64503R	663N64537R	663N64504R	663N64538R
	2600								663N66503R	663N66537R	663N66504R	663N66538R
S0	2200	163	163	168	168	46	201	21°	663S62503R	663S62537R	663S62504R	663S62538R
	2400								663S64503R	663S64537R	663S64504R	663S64538R
	*2600								663S66503R	663S66537R	663S66504R	663S66538R

\* Maximum recommended settings for 1000 min<sup>-1</sup> velocity

For primary drivelines, always install any torque limiter or overrunning clutch on the implement side. All rotating parts must be guarded.



## FT44

Non-adjustable setting

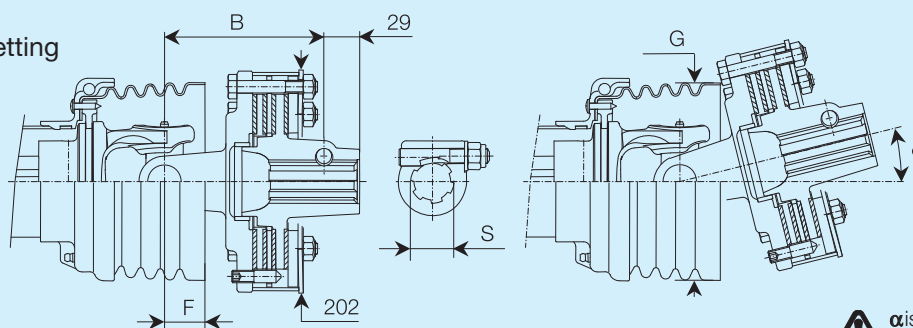
Ref.	Size	Spare parts code	Description	Technical data
1		432000100R08	Bolt	M10 x 55 mm
2	S8 - H8	253078702R	Flange yoke	
	S9	253089001R		
	SH	2530N9001R		
	S0	2530S1F01R		
3		258005320R02	Bushing	
4		247006351R08	Friction lining	D = 162 ; d = 85 mm
5		248737702R02	Driving plate	
6		248870011R02	Inner plate	Thickness = 4 mm
7		515900305R	Hub with taper pin	1 3/8" Z6
		515903705R		1 3/8" Z21
		515900405R		1 3/4" Z6
		515903805R		1 3/4" Z20
8		408000047R02	Taper pin	1 3/8" Z6 - Z21
		408000046R02		1 3/4" Z6 - 21
9		248870005R	Pressure plate	Thickness = 8 mm
10		240000219R02	Adjustment band	
11		367FT440A	Belleville spring	1800 Nm
		367FT440C		2200 Nm
		367FT440D		2400 Nm
		367FT440E		2600 Nm



For primary drivelines, always install any torque limiter or overrunning clutch on the implement side.  
All rotating parts must be guarded.

## FT44R

Non-adjustable setting

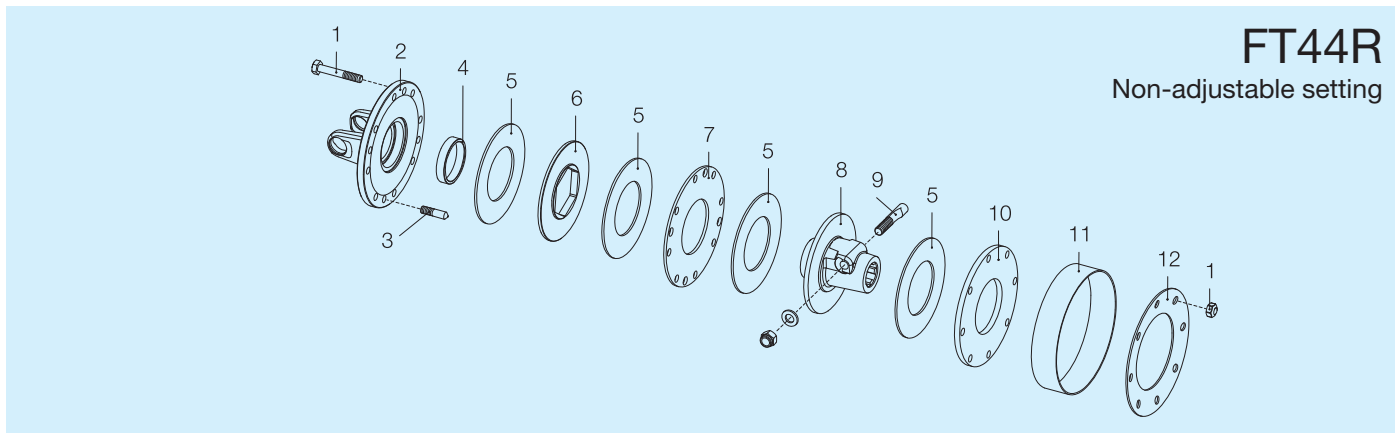


$\alpha$  is the joint angle at which the clutch will contact the shield.

Size	Torque Nm	B (mm)				F mm	G mm	$\alpha$ °	Spare parts code			
		S 1 3/8" Z6	S 1 3/8" Z21	S 1 3/4" Z6	S 1 3/4" Z20				1 3/8" Z6	1 3/8" Z21	1 3/4" Z6	1 3/4" Z20
S8	*1800	147	147	152	152	42	160	17°	663L58G03R	663L58G37R	663L58G04R	663L58G38R
	2200								663L62G03R	663L62G37R	663L62G04R	663L62G38R
H8	*1800	147	147	152	152	42	160	17°	663L58G03R	663L58G37R	663L58G04R	663L58G38R
	2200								663L62G03R	663L62G37R	663L62G04R	663L62G38R
	2400								663L64G03R	663L64G37R	663L64G04R	663L64G38R
	2600								663L66G03R	663L66G37R	663L66G04R	663L66G38R
S9	1800	149	149	154	154	49	180	18°	663M58G03R	663M58G37R	663M58G04R	663M58G38R
	*2200								663M62G03R	663M62G37R	663M62G04R	663M62G38R
	2400								663M64G03R	663M64G37R	663M64G04R	663M64G38R
	2600								663M66G03R	663M66G37R	663M66G04R	663M66G38R
SH	2200	150	150	155	155	50	201	12°	663N62G03R	663N62G37R	663N62G04R	663N62G38R
	*2400								663N64G03R	663N64G37R	663N64G04R	663N64G38R
	2600								663N66G03R	663N66G37R	663N66G04R	663N66G38R
S0	2200	163	163	168	168	46	201	21°	663S62G03R	663S62G37R	663S62G04R	663S62G38R
	2400								663S64G03R	663S64G37R	663S64G04R	663S64G38R
	*2600								663S66G03R	663S66G37R	663S66G04R	663S66G38R

\* Maximum recommended settings for 1000 min<sup>-1</sup> velocity

For primary drivelines, always install any torque limiter or overrunning clutch on the implement side.  
All rotating parts must be guarded.



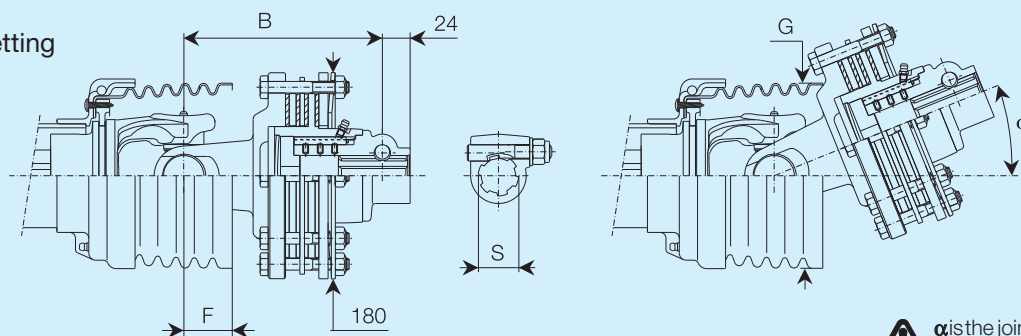
Ref.	Size	Spare parts code	Description	Technical data
1		432000100R08	Bolt	M10 x 70 mm
2	S8 - H8	2530L8705R	Flange yoke	
	S9	2530M8705R		
	SH	2530N8705R		
	S0	2530S8705R		
3		310001301R04	Special socket head set screw	M10 x 40 mm
4		258005320R02	Bushing	
5		247006351R08	Friction lining	D = 162 ; d = 85 mm
6		248737702R02	Driving plate	
7		248870013R02	Inner plate	Thickness = 4 mm
8		515900305R	Hub with taper pin	1 3/8" Z6
		515903705R		1 3/8" Z21
		515900405R		1 3/4" Z6
		515903805R		1 3/4" Z20
9		408000047R02	Taper pin	1 3/8" Z6 - Z21
		408000046R02		1 3/4" Z6 - Z20
10		248870005R	Pressure plate	Thickness = 8 mm
11		240000219R02	Adjustment band	
12		367FT440A	Belleville spring	1800 Nm
		367FT440C		2200 Nm
		367FT440D		2400 Nm
		367FT440E		2600 Nm



For primary drivelines, always install any torque limiter or overrunning clutch on the implement side.  
All rotating parts must be guarded.

## FNV34

Adjustable setting

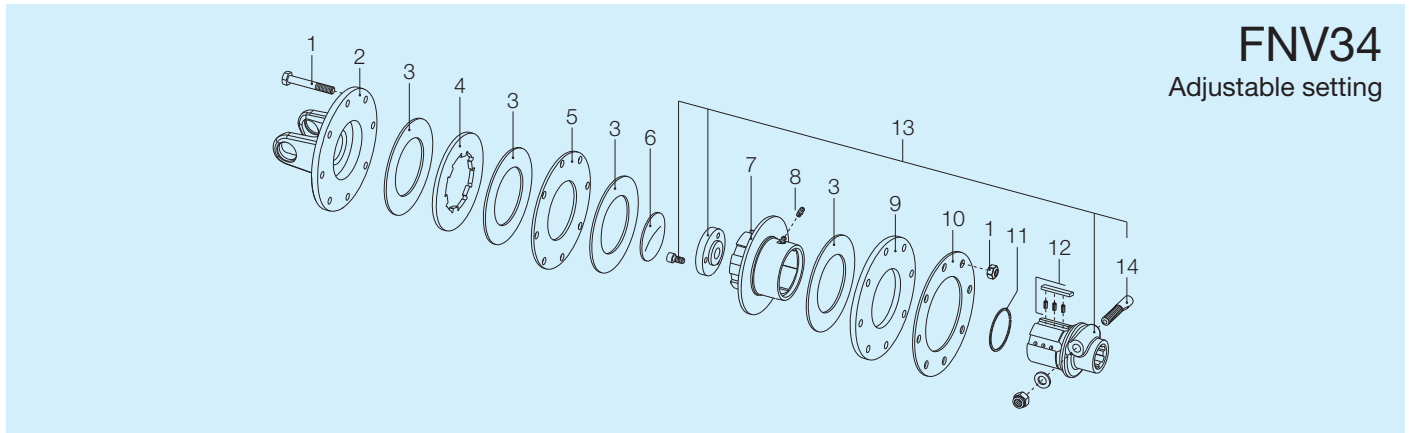


$\alpha$  is the joint angle at which the clutch will contact the shield.

Size	Torque Nm	B (mm)		F mm	G mm	$\alpha$ °	Spare parts code	
		S 1 3/8" Z6	S 1 3/8" Z21				1 3/4" Z6	1 3/4" Z20
S6	*1200	158	158	32	160	24°	665G48103R	665G48137R
	1350						665G51103R	665G51137R
	1450						665G53103R	665G53137R
	1600						665G56103R	665G56137R
H7	1200	166	166	29	160	28°	665H48103R	665H48137R
	1350						665H51103R	665H51137R
	*1450						665H53103R	665H53137R
	1600						665H56103R	665H56137R
	1800						665H58103R	665H58137R
S8	1350	172	172	42	160	18°	665L51103R	665L51137R
	1450						665L53103R	665L53137R
	1600						665L56103R	665L56137R
	*1800						665L58103R	665L58137R
	2000						665L60103R	665L60137R
H8	1350	172	172	42	160	18°	665L51103R	665L51137R
	1450						665L53103R	665L53137R
	1600						665L56103R	665L56137R
	*1800						665L58103R	665L58137R
	2000						665L60103R	665L60137R
S9	*1800	174	174	49	180	13°	665M58103R	665M58137R
	2000						665M60103R	665M60137R

\* Maximum recommended settings for 1000 min<sup>-1</sup> velocity

For primary drivelines, always install any torque limiter or overrunning clutch on the implement side.  
All rotating parts must be guarded.



**FNV34**  
Adjustable setting

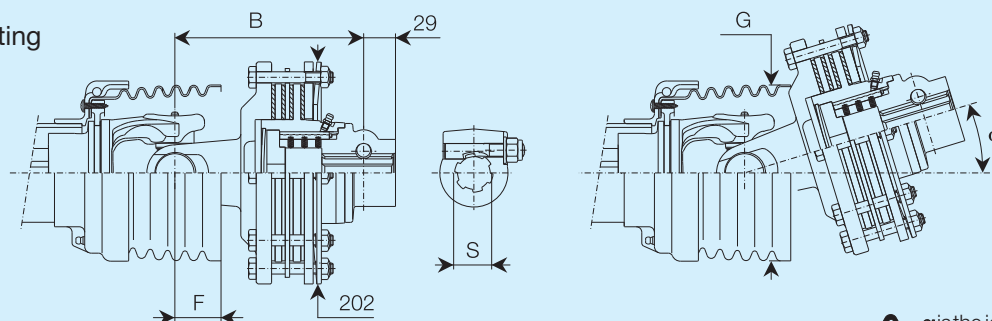
Ref.	Size	Spare parts code	Description	Technical data
1		432000114R08	Bolt	M 10 x 75 mm
2	S6	2530G1L01R	Flange yoke	
	H7	2530H1L01R		
	S8 - H8	2530L1L01R		
	S9	2530M1L01R		
3		247000054R08	Friction lining	D = 140 ; d = 85 mm
4		2481L0003R02	Driving plate	
5		2481L0001R02	Inner plate	Thickness = 4 mm
6		240000746R05	Locking plate	
7		4271L0101R	Overrunning clutch housing	
8		348017000R20	Grease fitting	
9		2481L0005R02	Pressure plate	Thickness = 8 mm
10		367008860R	Belleville spring	1200 Nm
11		339002060R20	Snap ring	
12		4211L0001R06	Pawl + springs kit	
13		5151L0351R	Hub with taper pin	1 3/8" Z6
		5151L3751R		1 3/8" Z21
14		408000047R02	Taper pin	1 3/8" Z6 - Z21



For primary drivelines, always install any torque limiter or overrunning clutch on the implement side.  
All rotating parts must be guarded.

## FNV44

Adjustable setting

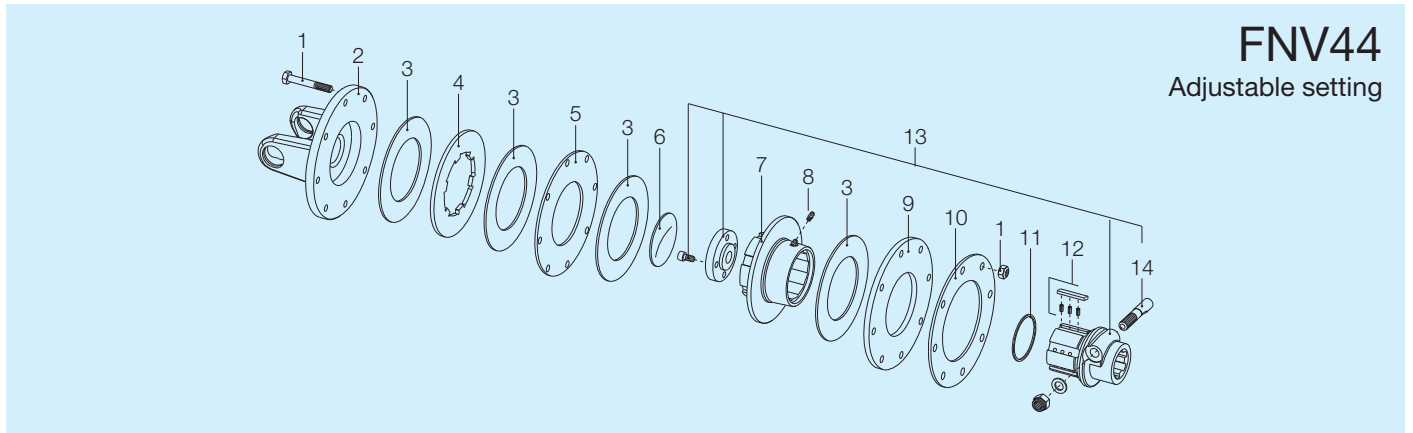


$\alpha$  is the joint angle at which the clutch will contact the shield.

Size	Torque Nm	B (mm)				F mm	G mm	$\alpha$ °	Spare parts code			
		S 1 3/8" Z6	S 1 3/8" Z21	S 1 3/4" Z6	S 1 3/4" Z20				1 3/8" Z6	1 3/8" Z21	1 3/4" Z6	1 3/4" Z20
<b>S8</b>	*1800	175	175	175	175	42	160	17°	665L58203R	665L58237R	665L58204R	665L58238R
	2000								665L60203R	665L60237R	665L60204R	665L60238R
	2200								665L62203R	665L62237R	665L62204R	665L62238R
	2400								665L64203R	665L64237R	665L64204R	665L64238R
<b>H8</b>	*1800	175	175	175	175	42	160	17°	665L58203R	665L58237R	665L58204R	665L58238R
	2000								665L60203R	665L60237R	665L60204R	665L60238R
	2200								665L62203R	665L62237R	665L62204R	665L62238R
	2400								665L64203R	665L64237R	665L64204R	665L64238R
	2600								665L66203R	665L66237R	665L66204R	665L66238R
<b>S9</b>	1800	177	177	177	177	49	180	18°	665M58203R	665M58237R	665M58204R	665M58238R
	2000								665M60203R	665M60237R	665M60204R	665M60238R
	*2200								665M62203R	665M62237R	665M62204R	665M62238R
	2400								665M64203R	665M64237R	665M64204R	665M64238R
	2600								665M66203R	665M66237R	665M66204R	665M66238R
<b>SH</b>	2200	178	178	178	178	50	201	12°	665N62203R	665N62237R	665N62204R	665N62238R
	*2400								665N64203R	665N64237R	665N64204R	665N64238R
	2600								665N66203R	665N66237R	665N66204R	665N66238R
	2800								665N68203R	665N68237R	665N68204R	665N68238R
<b>S0</b>	2200	191	191	191	191	46	201	21°	665S62203R	665S62237R	665S62204R	665S62238R
	2400								665S64203R	665S64237R	665S64204R	665S64238R
	*2600								665S66203R	665S66237R	665S66204R	665S66238R
	2800								665S68203R	665S68237R	665S68204R	665S68238R

\* Maximum recommended settings for 1000 min<sup>-1</sup> velocity

For primary drivelines, always install any torque limiter or overrunning clutch on the implement side.  
All rotating parts must be guarded.



**FNV44**  
Adjustable setting

Ref.	Size	Spare parts code	Description	Technical data
1		432000114R08	Bolt	M 10 x 75 mm
2	S8 - H8	2530L1M01R	Flange yoke	
	S9	2530M1M01R		
	SH	2530N1M01R		
	S0	2530S1M01R		
3		247000061R08	Friction lining	D = 160 ; d = 97 mm
4		2481M0001R02	Driving plate	
5		2481M0002R02	Inner plate	Thickness = 4 mm
6		240000748R05	Locking plate	
7		4271M0101R	Overrunning clutch housing	
8		348017000R20	Grease fitting	
9		2481H0004R02	Pressure plate	Thickness = 8 mm
10		367009870R	Belleville spring	
11		339002068R20	Snap ring	
12		4211L0001R06	Pawl + springs kit	
13		5151M0351R	Hub with taper pin	1 3/8" Z6
		5151M3751R		1 3/8" Z21
		5151M0451R		1 3/4" Z6
		5151M3851R		1 3/4" Z20
14		408000047R02	Taper pin	1 3/8" Z6 - Z21
		408000046R02		1 3/4" Z6 - Z20

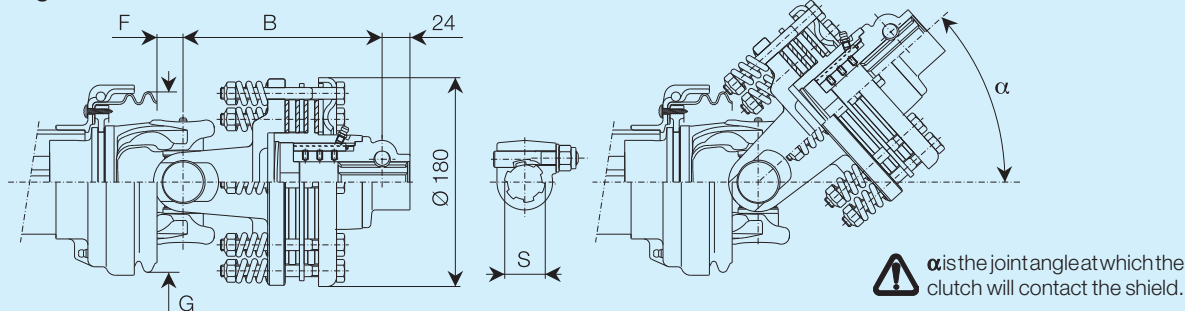


For primary drivelines, always install any torque limiter or overrunning clutch on the implement side.  
All rotating parts must be guarded.



## FFNV34

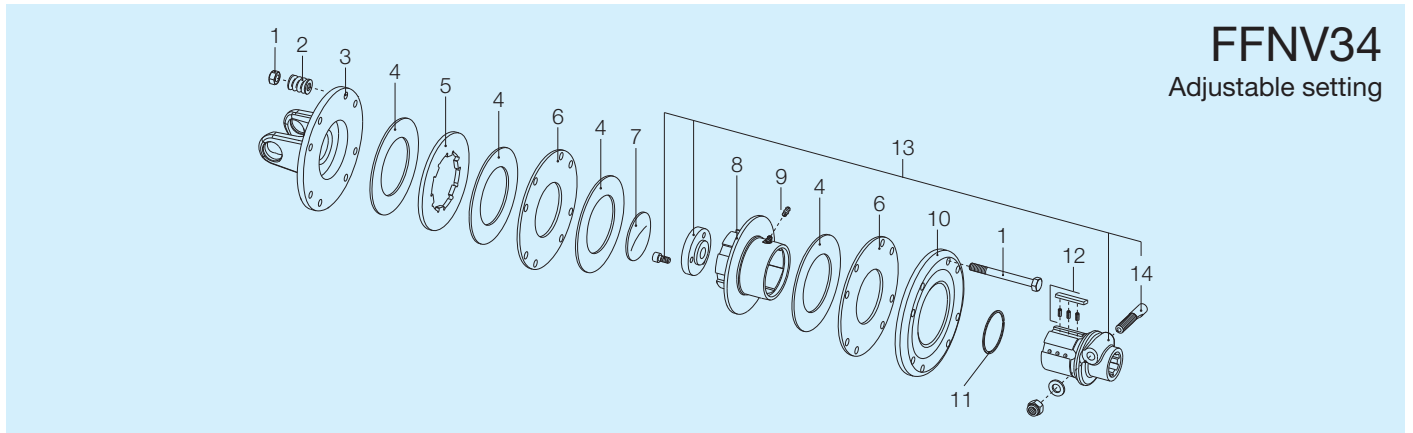
Adjustable setting



Size	Torque Nm	B (mm)		F mm	G mm	$\alpha$ °	Spare parts code	
		S 1 3/8" Z6	S 1 3/8" Z21				1 3/4" Z6	1 3/4" Z20
S6	*1200	158	158	19	156	30°	667G48103R	667G48137R
	1350						667G51103R	667G51137R
	1450						667G53103R	667G53137R
	1600						667G56103R	667G56137R
H7	1200	166	166	23	156	38°	667H48103R	667H48137R
	1350						667H51103R	667H51137R
	*1450						667H53103R	667H53137R
	1600						667H56103R	667H56137R
	1800						667H58103R	667H58137R
S8	1350	172	172	22	156	42°	667L51103R	667L51137R
	1450						667L53103R	667L53137R
	1600						667L56103R	667L56137R
	*1800						667L58103R	667L58137R
	2000						667L60103R	667L60137R
H8	1350	172	172	22	156	42°	667L51103R	667L51137R
	1450						667L53103R	667L53137R
	1600						667L56103R	667L56137R
	*1800						667L58103R	667L58137R
	2000						667L60103R	667L60137R
S9	*1800	174	174	7	178	29°	667M58103R	667M58137R
	2000						667M60103R	667M60137R

\* Maximum recommended settings for 1000 min<sup>-1</sup> velocity

For primary drivelines, always install any torque limiter or overrunning clutch on the implement side. All rotating parts must be guarded.



**FFNV34**  
Adjustable setting

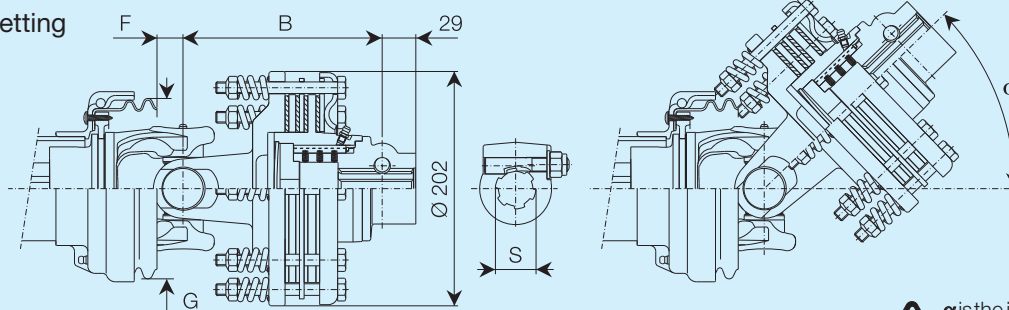
Ref.	Size	Spare parts code	Description	Technical data
1		432000007R08	Bolt	M10 x 100 mm
2		351022370R08	Coil spring	f = 6 mm
3	S6	2530G1L05R	Flange yoke	
	H7	2530H1L05R		
	S8-H8	2530L1L05R		
	S9	2530M1L05R		
4		247000054R08	Friction lining	D = 140 ; d = 85 mm
5		2481L0003R02	Driving plate	
6		2481L0007R02	Inner plate	Thickness = 4 mm
7		240000746R05	Locking plate	
8		4271L0101R	Overrunning clutch housing	
9		348017000R20	Grease fitting	
10		248220007R02	Pressure plate	
11		339002060R20	Snap ring	
12		4211L0001R06	Pawl + springs kit	
13		5151L0351R	Hub with taper pin	1 3/8" Z6
		5151L3751R		1 3/8" Z21
14		408000047R02	Taper pin	1 3/8" Z6 - Z21



For primary drivelines, always install any torque limiter or overrunning clutch on the implement side.  
All rotating parts must be guarded.

## FFNV44

Adjustable setting

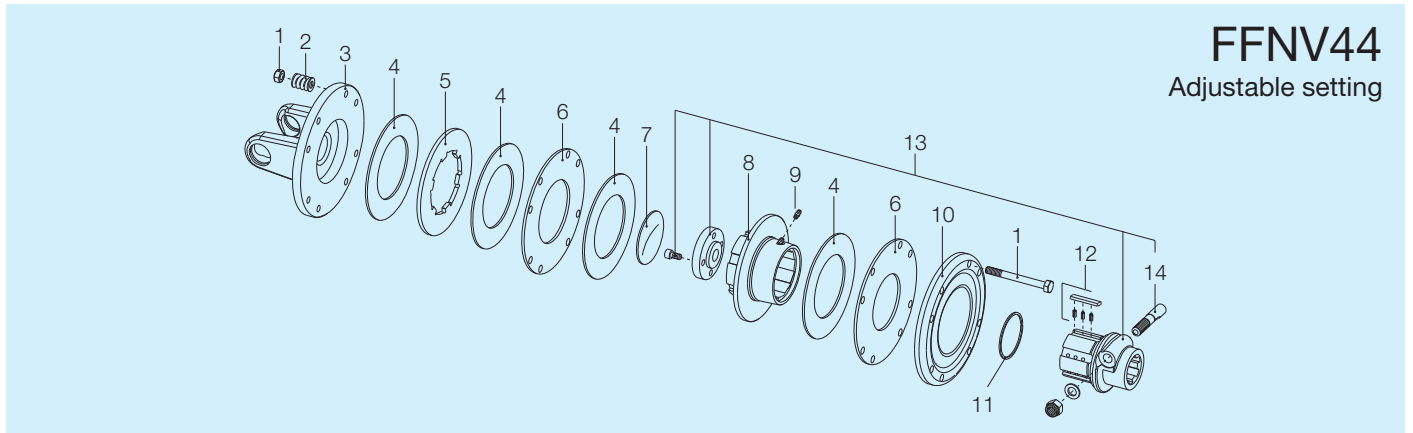


α is the joint angle at which the clutch will contact the shield.

Size	Torque Nm	B (mm)				F mm	G mm	α °	Spare parts code			
		S 1 3/8" Z6	S 1 3/8" Z21	S 1 3/4" Z6	S 1 3/4" Z20				1 3/8" Z6	1 3/8" Z21	1 3/4" Z6	1 3/4" Z20
<b>S8</b>	*1800	175	175	175	175	22	156	44°	667L58203R	667L58237R	667L58204R	667L58238R
	2000								667L60203R	667L60237R	667L60204R	667L60238R
	2200								667L62203R	667L62237R	667L62204R	667L62238R
	2400								667L64203R	667L64237R	667L64204R	667L64238R
<b>H8</b>	*1800	175	175	175	175	22	156	44°	667L58203R	667L58237R	667L58204R	667L58238R
	2000								667L60203R	667L60237R	667L60204R	667L60238R
	2200								667L62203R	667L62237R	667L62204R	667L62238R
	2400								667L64203R	667L64237R	667L64204R	667L64238R
	2600								667L66203R	667L66237R	667L66204R	667L66238R
<b>S9</b>	1800	177	177	177	177	7	178	27°	667M58203R	667M58237R	667M58204R	667M58238R
	2000								667M60203R	667M60237R	667M60204R	667M60238R
	*2200								667M62203R	667M62237R	667M62204R	667M62238R
	2400								667M64203R	667M64237R	667M64204R	667M64238R
	2600								667M66203R	667M66237R	667M66204R	667M66238R
<b>SH</b>	2200	178	178	178	178	6	199	23°	667N62203R	667N62237R	667N62204R	667N62238R
	*2400								667N64203R	667N64237R	667N64204R	667N64238R
	2600								667N66203R	667N66237R	667N66204R	667N66238R
	2800								667N68203R	667N68237R	667N68204R	667N68238R
<b>S0</b>	2200	191	191	191	191	10	199	32°	667S62203R	667S62237R	667S62204R	667S62238R
	2400								667S64203R	667S64237R	667S64204R	667S64238R
	*2600								667S66203R	667S66237R	667S66204R	667S66238R
	2800								667S68203R	667S68237R	667S68204R	667S68238R

\* Maximum recommended settings for 1000 min<sup>-1</sup> velocity

For primary drivelines, always install any torque limiter or overrunning clutch on the implement side.  
All rotating parts must be guarded.



## FFNV44

Adjustable setting

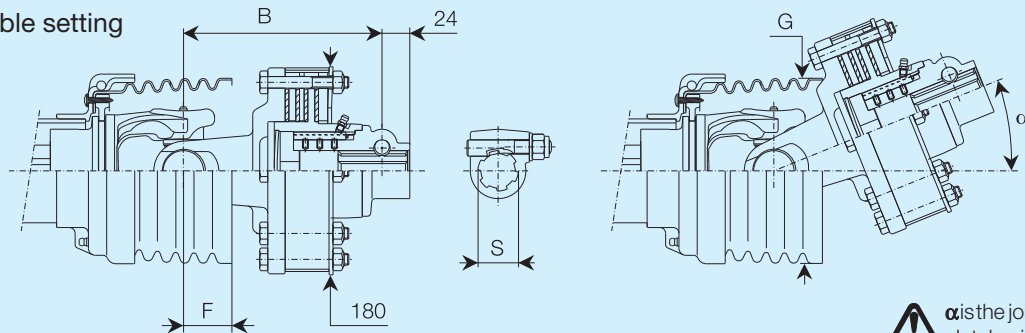
Ref.	Size	Spare parts code	Description	Technical data
1		432000122R08	Bolt	M10 x 105 mm
2		351013370R08	Coil spring	f = 7 mm
3	S8 - H8	2530L1M05R	Flange yoke	
	S9	2530M1M05R		
	SH	2530N1M05R		
	S0	2530S1M05R		
4		247000061R08	Friction lining	D = 160 ; d = 97 mm
5		2481M0001R02	Driving plate	
6		2481M0007R02	Inner plate	Thickness = 4 mm
7		240000748R05	Locking plate	
8		4271M0101R	Overrunning clutch housing	
9		348017000R20	Grease fitting	
10		248230006R02	Pressure plate	
11		339002068R20	Snap ring	
12		4211L0001R06	Pawl + springs kit	
13		5151M0351R	Hub with taper pin	1 3/8" Z6
		5151M3751R		1 3/8" Z21
		5151M0451R		1 3/4" Z6
		5151M3851R		1 3/4" Z20
14		408000047R02	Taper pin	1 3/8" Z6 - Z21
		408000046R02		1 3/4" Z6 - Z20



For primary drivelines, always install any torque limiter or overrunning clutch on the implement side.  
All rotating parts must be guarded.

## FNT34

Non-adjustable setting

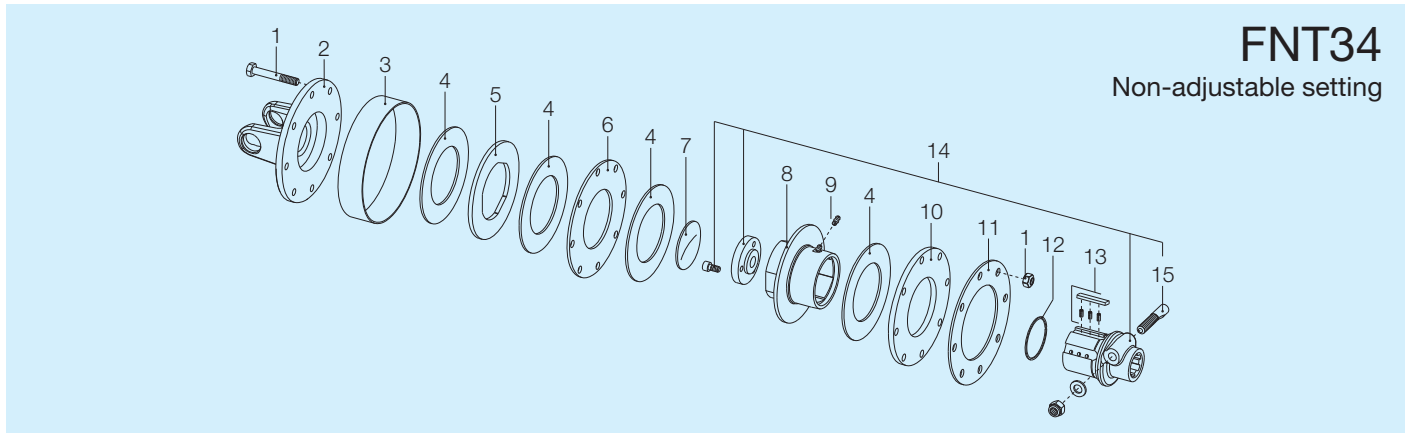


$\alpha$  is the joint angle at which the clutch will contact the shield.

Size	Torque Nm	B (mm)				F mm	G mm	$\alpha$ °	Spare parts code			
		S 1 3/8" Z6	S 1 3/8" Z21	S 1 3/4" Z6	S 1 3/4" Z20				1 3/8" Z6	1 3/8" Z21	1 3/4" Z6	1 3/4" Z20
S6	*1200	158	158	---	---	32	160	24°	658G48103R	658G48137R	---	---
	1450								658G53103R	658G53137R	---	---
H7	1200	166	166	---	---	29	160	28°	658H48103R	658H48137R	---	---
	*1450								658H53103R	658H53137R	---	---
	1800								658H58103R	658H58137R	---	---
S8	1450	172	172	---	---	42	160	18°	658L53103R	658L53137R	---	---
	*1800								658L58103R	658L58137R	---	---
H8	1450	172	172	---	---	42	160	18°	658L53103R	658L53137R	---	---
	*1800								658L58103R	658L58137R	---	---
S9	*1800	174	174	---	---	49	180	13°	658M58103R	658M58137R	---	---

\* Maximum recommended settings for 1000 min<sup>-1</sup> velocity

For primary drivelines, always install any torque limiter or overrunning clutch on the implement side. All rotating parts must be guarded.



## FNT34

Non-adjustable setting

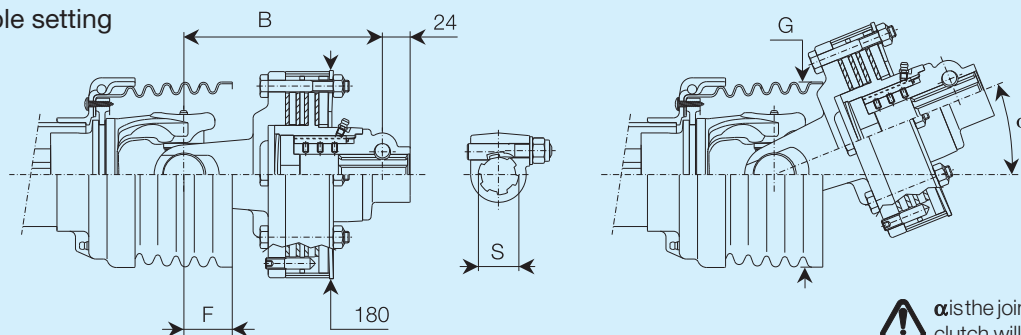
Ref.	Size	Spare parts code	Description	Technical data
1		432000045R08	Bolt	M10 x 65 mm
2	S6	2530G1L01R	Flange yoke	
	H7	2530H1L01R		
	S8	2530L1L01R		
	S9	2530M1L01R		
3		240000218R02	Adjustment band	
4		247000054R08	Friction lining	D = 140 ; d = 85 mm
5		2481L0003R02	Driving plate	
6		2481L0001R02	Inner plate	Thickness = 4 mm
7		240000746R05	Locking plate	
8		4271L0101R	Overrunning clutch housing	
9		348017000R20	Grease fitting	
10		2481L0002R02	Pressure plate	Thickness = 8 mm
11		367FT340A	Belleville spring	1200 Nm
		367FT340C		1450 Nm
		367FT340D		1800 Nm
12		339002060R20	Snap ring	
13		4211L0001R06	Pawl + springs kit	
14		5151L0351R	Hub with taper pin	1 3/8" Z6
		5151L3751R		1 3/8" Z21
15		408000047R02	Taper pin	1 3/8" Z6 - Z21



For primary drivelines, always install any torque limiter or overrunning clutch on the implement side.  
All rotating parts must be guarded.

## FNT34R

Non-adjustable setting

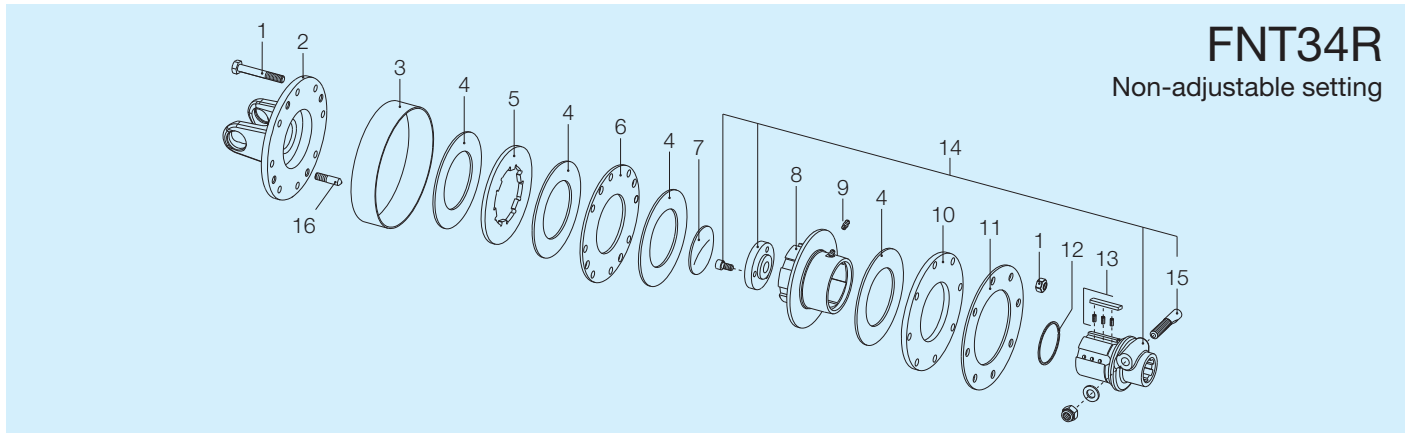


$\alpha$  is the joint angle at which the clutch will contact the shield.

Size	Torque Nm	B (mm)				F mm	G mm	$\alpha$ °	Spare parts code			
		S 1 3/8" Z6	S 1 3/8" Z21	S 1 3/4" Z6	S 1 3/4" Z20				1 3/8" Z6	1 3/8" Z21	1 3/4" Z6	1 3/4" Z20
S6	*1200	158	158	---	---	32	160	24°	658G48203R	658G48237R	---	---
	1450								658G53203R	658G53237R	---	---
H7	1200	166	166	---	---	29	160	28°	658H48203R	658H48237R	---	---
	*1450								658H53203R	658H53237R	---	---
	1800								658H58203R	658H58237R	---	---
S8	1450	172	172	---	---	42	160	18°	658L53203R	658L53237R	---	---
	*1800								658L58203R	658L58237R	---	---
H8	1450	172	172	---	---	42	160	18°	658L53203R	658L53237R	---	---
	*1800								658L58203R	658L58237R	---	---
S9	*1800	174	174	---	---	49	180	13°	658M58203R	658M58237R	---	---

\* Maximum recommended settings for 1000 min<sup>-1</sup> velocity

For primary drivelines, always install any torque limiter or overrunning clutch on the implement side. All rotating parts must be guarded.



## FNT34R

Non-adjustable setting

Ref.	Size	Spare parts code	Description	Technical data
1		432000045R08	Bolt	M10 x 70 mm
2	S6	2530G1L02R	Flange yoke	
	H7	2530H1L02R		
	S8 - H8	2530L1L02R		
	S9	2530M1L02R		
3		240000218R02	Adjustment band	
4		247000054R08	Friction lining	D = 140 ; d = 85 mm
5		2481L0003R02	Driving plate	
6		2481L0004R02	Inner plate	Thickness = 4 mm
7		240000746R05	Locking plate	
8		4271L0101R	Overrunning clutch housing	
9		348017000R20	Grease fitting	
10		2481L0002R02	Pressure plate	Thickness = 8 mm
11		367FT340A	Belleville spring	1200 Nm
		367FT340C		1450 Nm
		367FT340D		1800 Nm
12		339002060R20	Snap ring	
13		4211L0001R06	Pawl + springs kit	
14		5151L0351R	Hub with taper pin	1 3/8" Z6
		5151L3751R		1 3/8" Z21
15		408000047R02	Taper pin	1 3/8" Z6 - Z21
16		310001301R04	Special socket head set screw	M 10 x 40 mm

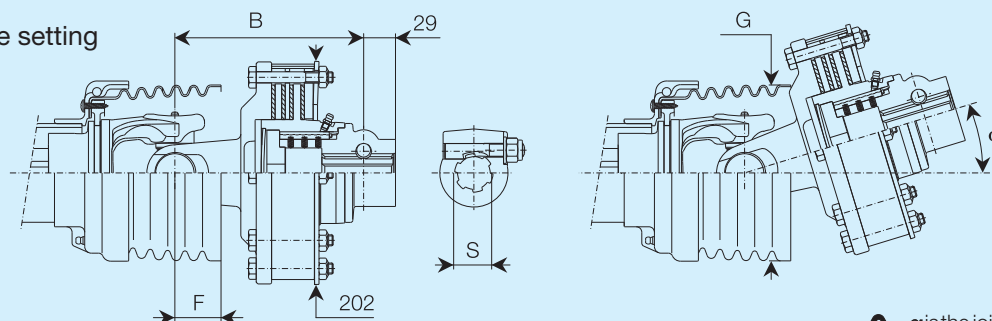


For primary drivelines, always install any torque limiter or overrunning clutch on the implement side.  
All rotating parts must be guarded.



## FNT44

Non-adjustable setting

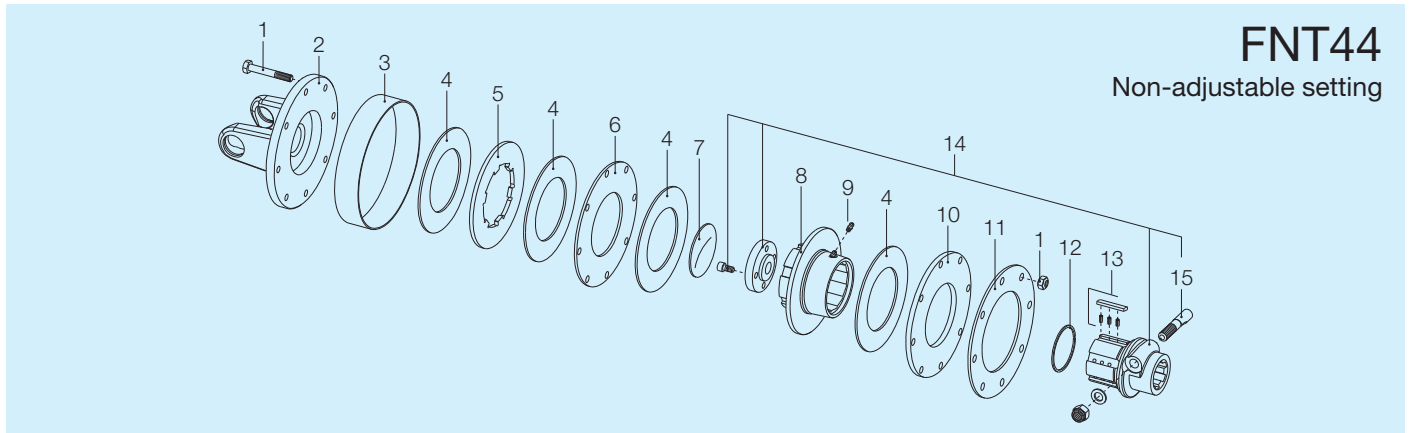


$\alpha$  is the joint angle at which the clutch will contact the shield.

Size	Torque Nm	B (mm)				F mm	G mm	$\alpha$ °	Spare parts code			
		S 1 3/8" Z6	S 1 3/8" Z21	S 1 3/4" Z6	S 1 3/4" Z20				1 3/8" Z6	1 3/8" Z21	1 3/4" Z6	1 3/4" Z20
S8	*1800	175	175	175	175	42	160	17°	658L58303R	658L58337R	658L58304R	658L58338R
	2200								658L62303R	658L62337R	658L62304R	658L62338R
H8	1800	175	175	175	175	42	160	17°	658L58303R	658L58337R	658L58304R	658L58338R
	*2200								658L62303R	658L62337R	658L62304R	658L62338R
	2400								658L64303R	658L64337R	658L64304R	658L64338R
	2600								658L66303R	658L66337R	658L66304R	658L66338R
S9	*1800	177	177	177	177	49	180	18°	658M58303R	658M58337R	658M58304R	658M58338R
	2200								658M62303R	658M62337R	658M62304R	658M62338R
	2400								658M64303R	658M64337R	658M64304R	658M64338R
	2600								658M66303R	658M66337R	658M66304R	658M66338R
SH	2200	178	178	178	178	50	201	12°	658N62303R	658N62337R	658N62304R	658N62338R
	*2400								658N64303R	658N64337R	658N64304R	658N64338R
	2600								658N66303R	658N66337R	658N66304R	658N66338R
S0	2200	191	191	191	191	46	201	21°	658S62303R	658S62337R	658S62304R	658S62338R
	2400								658S64303R	658S64337R	658S64304R	658S64338R
	*2600								658S66303R	658S66337R	658S66304R	658S66338R

\* Maximum recommended settings for 1000 min<sup>-1</sup> velocity

For primary drivelines, always install any torque limiter or overrunning clutch on the implement side. All rotating parts must be guarded.



## FNT44

Non-adjustable setting

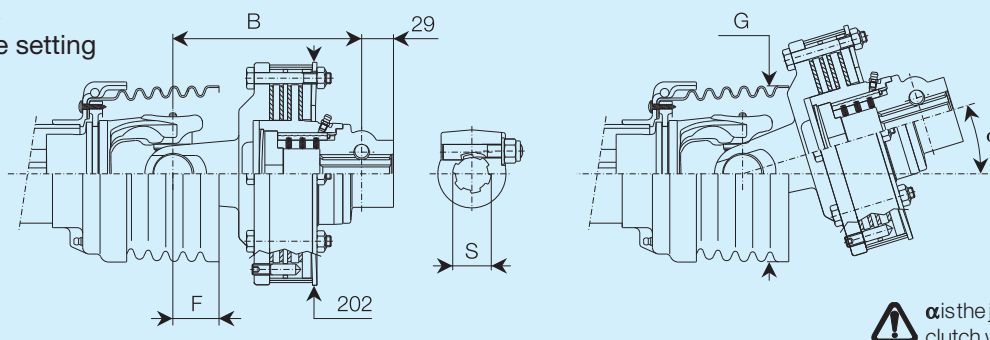
Ref.	Size	Spare parts code	Description	Technical data
1		432000100R08	Bolt	M 10 x 70 mm
2	S8 - H8	2530L1M01R	Flange yoke	
	S9	2530M1M01R		
	SH	2530N1M01R		
	SO	2530S1M01R		
3		240000219R02	Adjustment band	
4		247000061R08	Friction lining	D = 160 ; d = 97 mm
5		2481M0001R02	Driving plate	
6		2481M0002R02	Inner plate	Thickness = 4 mm
7		240000748R05	Locking plate	
8		4271M0101R	Overrunning clutch plug	
9		348017000R20	Grease fitting	
10		2481H0003R02	Pressure plate	Thickness = 8 mm
11		367FT440A	Belleville spring	1800 Nm
		367FT440C		2200 Nm
		367FT440D		2400 Nm
		367FT440E		2600 Nm
12		339002068R20	Snap ring	
13		4211L0001R06	Pawl + springs kit	
14		5151M0351R	Hub with taper pin	1 3/8" Z6
		5151M3751R		1 3/8" Z21
		5151M0451R		1 3/4" Z6
		5151M3851R		1 3/4" Z20
15		408000047R02	Taper pin	1 3/8" Z6 - Z21
		408000046R02		1 3/4" Z6 - Z20



For primary drivelines, always install any torque limiter or overrunning clutch on the implement side.  
All rotating parts must be guarded.

## FNT44R

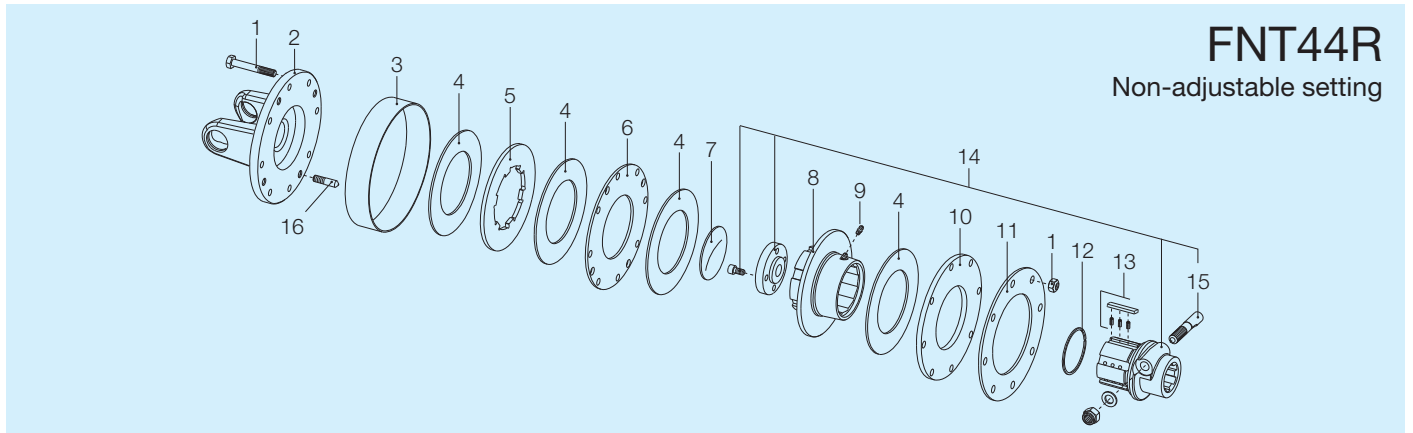
Non-adjustable setting



Size	Torque Nm	B (mm)				F mm	G mm	$\alpha$ °	Spare parts code			
		S 1 3/8" Z6	S 1 3/8" Z21	S 1 3/4" Z6	S 1 3/4" Z20				1 3/8" Z6	1 3/8" Z21	1 3/4" Z6	1 3/4" Z20
S8	*1800	175	175	175	175	42	160	17°	658L58403R	658L58437R	658L58404R	658L58438R
	2200								658L62403R	658L62437R	658L62404R	658L62438R
H8	1800	175	175	175	175	42	160	17°	658L58403R	658L58437R	658L58404R	658L58438R
	*2200								658L62403R	658L62437R	658L62404R	658L62438R
	2400								658L64403R	658L64437R	658L64404R	658L64438R
	2600								658L66403R	658L66437R	658L66404R	658L66438R
S9	1800	177	177	177	177	49	180	18°	658M58403R	658M58437R	658M58404R	658M58438R
	*2200								658M62403R	658M62437R	658M62404R	658M62438R
	2400								658M64403R	658M64437R	658M64404R	658M64438R
	2600								658M66403R	658M66437R	658M66404R	658M66438R
SH	2200	178	178	178	178	50	201	12°	658N62403R	658N62437R	658N62404R	658N62438R
	*2400								658N64403R	658N64437R	658N64404R	658N64438R
	2600								658N66403R	658N66437R	658N66404R	658N66438R
S0	2200	191	191	191	191	46	201	21°	658S62403R	658S62437R	658S62404R	658S62438R
	2400								658S64403R	658S64437R	658S64404R	658S64438R
	*2600								658S66403R	658S66437R	658S66404R	658S66438R

\* Maximum recommended settings for 1000 min<sup>-1</sup> velocity

For primary drivelines, always install any torque limiter or overrunning clutch on the implement side. All rotating parts must be guarded.



## FNT44R

Non-adjustable setting

Ref.	Size	Spare parts code	Description	Technical data
1		432000100R08	Bolt	M 10 x 70 mm
2	S8 - H8	2530L1M02R	Flange yoke	
	S9	2530M1M02R		
	SH	2530N1M02R		
	S0	2530S1M02R		
3		240000219R02	Adjustment band	
4		247000061R08	Friction lining	D = 160 ; d = 97 mm
5		2481M0001R02	Driving plate	
6		2481M0003R02	Inner plate	Thickness = 4 mm
7		240000748R05	Locking plate	
8		4271M0101R	Overrunning clutch housing	
9		348017000R20	Grease fitting	
10		2481H0003R02	Pressure plate	Thickness = 8 mm
11		367FT440A	Belleville spring	1800 Nm
		367FT440C		2200 Nm
		367FT440D		2400 Nm
		367FT440E		2600 Nm
12		339002068R20	Snap ring	
13		4211L0001R06	Pawl + springs kit	
14		5151M0351R	Hub with taper pin	1 3/8" Z6
		5151M3751R		1 3/8" Z21
		5151M0451R		1 3/4" Z6
		5151M3851R		1 3/4" Z20
15		408000047R02	Taper pin	1 3/8" Z6 - Z21
		408000046R02		1 3/4" Z6 - Z20
16		310001301R04	Special socket head set screw	M 10 x 40 mm



For primary drivelines, always install any torque limiter or overrunning clutch on the implement side.  
All rotating parts must be guarded.

## Complete shield kits for spare parts

Complete shield kits for spare parts are sized to fit the drivelines on which they will be used.

The code for the shield kit length is the same code used for the driveline length.

Shield tubes can be cut to fit a specific driveline length, but the shield tubes should maintain sufficient overlap for all operating and transport conditions.

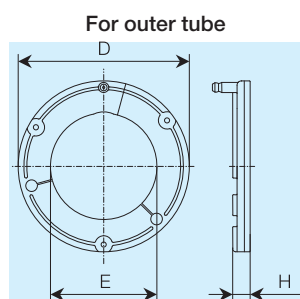
Safety labels and operator's manuals are included according to the standards and regulations of the country of destination. Shield kits are supplied with chains or with the Single Chain System, except for North America, where shield restraints are optional.

The standard connection of restraint chains to the shield is by means of an "S" hook for sizes S1 to S5. For larger sizes, the connection is made by the Spring Link device. Chains with Spring Link are available for smaller sizes as an option, by adding the letter "Z" to the end of the complete shield kit code.

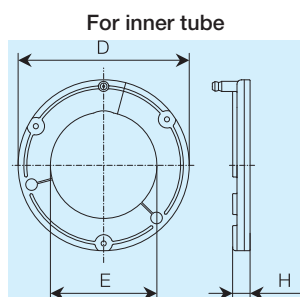
SFT drivelines and shields are tested to meet EN1152, EN ISO 5674, EN 12965 standards, and are CE certified. Complete shield kits are sold as spare parts and therefore, according to the Machinery Directive, do not require a CE mark. However, the mark can be applied on request.

Standards EN 12965 and ANSI/ASABE S604 require a 50 mm overlap of the driveline shield with the implement input connection shield.

## Bearing ring for standard safety shields



	D	E	H	Spare parts Code
	mm	mm	mm	
S1	100	59	12	2550A0001R02
S2	118	73	12	2550C0001R02
S4	118	73	12	2550C0001R02
S5	118	73	12	2550C0001R02
S6	132	89	12	2550G0001R02
H7	132	89	12	2550G0001R02
S8	132	89	12	2550G0001R02
H8	132	89	12	2550G0001R02
S9	144	99	12	2550L0001R02
SH	146	103	24	2550M0001R02
S0	146	103	24	2550M0001R02

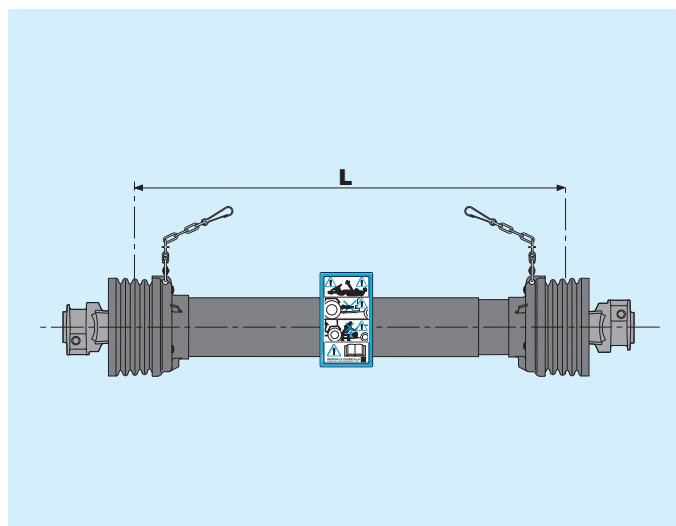


	D	E	H	Spare parts Code
	mm	mm	mm	
S1	100	56	12	2550A0002R02
S2	118	70	12	2550C0002R02
S4	118	70	12	2550C0002R02
S5	118	70	12	2550C0002R02
S6	132	86	12	2550G0002R02
H7	132	86	12	2550G0002R02
S8	132	86	12	2550G0002R02
H8	132	86	12	2550G0002R02
S9	144	96	12	2550L0002R02
SH	146	100	24	2550M0002R02
S0	146	100	24	2550M0002R02

## Single cardan joint Standard safety shields

Code	121
Length L (mm)	1210
S1	5CS1121FXSS
S2	5CS2121FXSS
S4	5CS4121FXSS
S5	5CS5121FXSS
S6	5CS6121FXSS
H7	5CH7121FXSS
S8	5CS8121FXSS
H8	5CH8121FXSS
S9	5CS9121FXSS
SH	5CSH121FXSS
S0	5CS0121FXSS

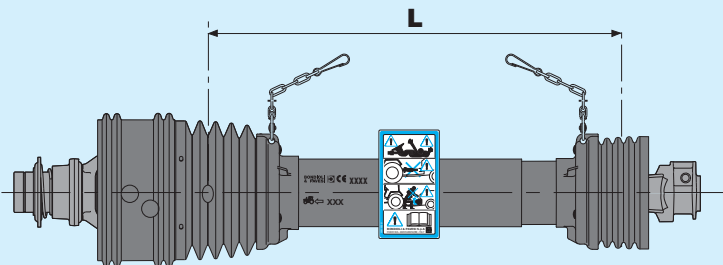
For North America, replace the "FX" in the codes above with "U2".  
For Japan, replace the "FX" in the codes above with "JP".



## 80° Constant velocity joint Standard safety shields

Code	086	121
Length L (mm)	860	1210
S1	---	---
S2	5CS2086FXWS	5CS2121FXWS
S4	5CS4086FXWS	5CS4121FXWS
S5	---	---
S6	5CS6086FXWS	5CS6121FXWS
H7	5CH7086FXWS	5CH7121FXWS
S8	5CS8086FXWS	5CS8121FXWS
H8	5CH8086FXWS	5CH8121FXWS
S9	5CS9086FXWS	5CS9121FXWS
SH	5CSH086FXWS	5CSH121FXWS
S0	---	---

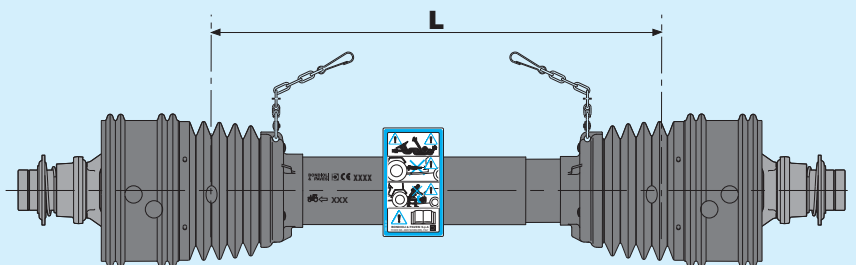
For North America, replace the "FX" in the codes above with "U2". For Japan, replace the "FX" in the codes above with "JP".



## 80° Double constant velocity joint Standard safety shields

Code	086	121
Length L (mm)	860	1210
S1	---	---
S2	5CS2086FXWW	5CS2121FXWW
S4	5CS4086FXWW	5CS4121FXWW
S5	---	---
S6	5CS6086FXWW	5CS6121FXWW
H7	5CH7086FXWW	5CH7121FXWW
S8	5CS8086FXWW	5CS8121FXWW
H8	5CH8086FXWW	5CH8121FXWW
S9	5CS9086FXWW	5CS9121FXWW
SH	5CSH086FXWW	5CSH121FXWW
S0	---	---

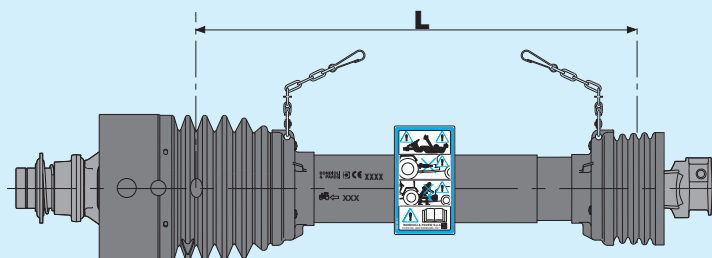
For North America, replace the "FX" in the codes above with "U2". For Japan, replace the "FX" in the codes above with "JP".



## 50° Constant velocity joint

Code	086	121
Length L (mm)	860	1210
S1	---	---
S2	---	---
S4	5CS4086FXKS	5CS4121FXKS
S5	---	---
S6	5CS6086FXKS	5CS6121FXKS
H7	5CH7086FXKS	5CH7121FXKS
S8	5CS8086FXKS	5CS8121FXKS
H8	5CH8086FXKS	5CH8121FXKS
S9	5CS9086FXKS	5CS9121FXKS
SH	5CSH086FXKS	5CSH121FXKS
S0	---	---

For North America, replace the "FX" in the codes above with "U2". For Japan, replace the "FX" in the codes above with "JP".

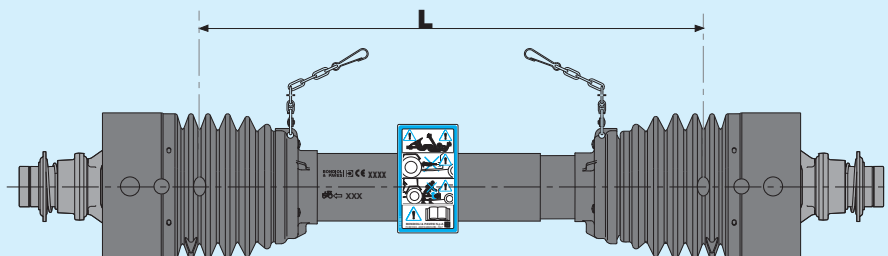




## 50° Double constant velocity joint Standard safety shields

Code	086	121
Length L (mm)	860	1210
S1	---	---
S2	---	---
S4	5CS4086FXKK	5CS4121FXKK
S5	---	---
S6	5CS6086FXKK	5CS6121FXKK
H7	5CH7086FXKK	5CH7121FXKK
S8	5CS8086FXKK	5CS8121FXKK
H8	5CH8086FXKK	5CH8121FXKK
S9	5CS9086FXKK	5CS9121FXKK
SH	5CSH086FXKK	5CSH121FXKK
S0	---	---

For North America, replace the "FX" in the codes above with "U2". For Japan, replace the "FX" in the codes above with "JP".



The size of the IIC shields should be sufficient to allow the cone to pass over the driveline's outer cone. Diameter  $D_1$  must therefore be larger than the diameter of the outer cone, or any type of torque limiter or clutch installed on the driveline.

The table below shows appropriate IIC shield diameter codes (i.e. the diameter  $D$  in centimeters) for various driveline attachments.

IIC shields and driveline shields should allow minimal access to revolving parts, while leaving the driveline easy to install and free to articulate.

Driveline Attachment	S1	S2	S4	S5	S6	H7	S8	H8	S9	SH	S0
Yokes for single cardan joints	17	19	19	19	21	21	21	21	23	25	25
Yokes for 50° CV joints	---	---	23	---	25	---	25	25	---	---	---
RA - RL	17	19	19	19	21	21	21	21	23	25	25
SA - LN - LC - LT	17	19	19	19	21	---	---	---	---	---	---
LB	19	19	19	21	21	21	21	21	23	25	---
LR23 - LR24	---	---	19	19	21	21	21	21	23	---	---
LR35	---	---	---	---	---	---	23	23	23	25	25
FV22 - FFV22 - FT22	21	21	---	---	---	---	---	---	---	---	---
FV32 - FFV32 - FT32	---	---	23	23	23	---	---	---	---	---	---
FT34 - FFV34 - FT34	---	---	23	23	23	23	23	23	23	---	---
FV42 - FFV42 - FT42	---	---	25	25	25	25	25	25	---	---	---
FV44 - FFV44 - FT44	---	---	---	---	---	---	25	25	25	25	25
FNV34 - FFNV34 - FNT34	---	---	---	---	23	23	23	23	23	---	---
FNV44 - FFNV44 - FNT44	---	---	---	---	25	25	25	25	25	25	25

The IIC shield length  $L$  is measured from the face of the metal plate to the end of the plastic shield.

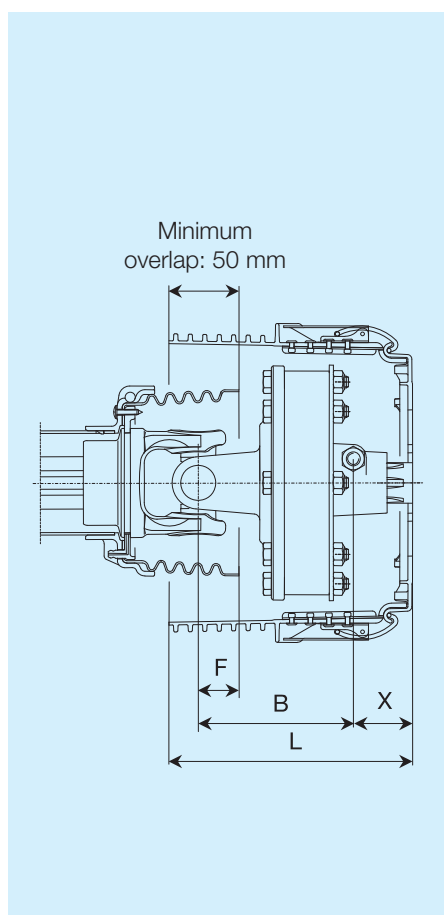
Standard shield lengths are shown in the table below and must be chosen to provide sufficient overlap with the driveline shield, while leaving the necessary space for shaft installation and movement.

IIC shield length  $L$  can be calculated by the formula  $L = X + B + 50 - F$ , where  $X$  is the length of the implement shaft, and 50 mm is the shield overlap required by standards EN12965 and ANSI/ASABE S604.

Length  $B$  is measured from the annular groove of the splined shaft to the center of the cross. These dimensions are listed within this catalog for each yoke, torque limiter, or clutch (see section for relevant size driveline).

Length  $F$  is measured from the protrusion of the shield to the cross center. This dimension is also listed in the tables related to driveline sizes.

The table below shows the length codes for each IIC shield. Always choose the next longer standard length above the calculated length to maintain a 50 mm overlap with the driveline shield.



$$L = X + B + 50 - F$$

Length code	L (mm)				
	D=170 mm	D=190 mm	D=210 mm	D=230 mm	D=250 mm
05	122	122	122	122	122
10	135	135	135	135	135
15	147	147	147	147	147
20	160	160	160	160	160
25	172	172	172	172	172
30	185	185	185	185	185
35	197	197	197	197	197
40	210	210	210	210	210
45	222	222	222	222	222
50	---	235	235	235	235
55	---	247	247	247	247
60	---	---	260	260	260
65	---	---	---	272	272
70	---	---	---	285	285
75	---	---	---	---	300

IIC shields should be chosen depending on their intended application, the yoke, torque limiter, or clutch to be covered, their dimensions, and on normal driveline movements during implement operations and maneuvers.

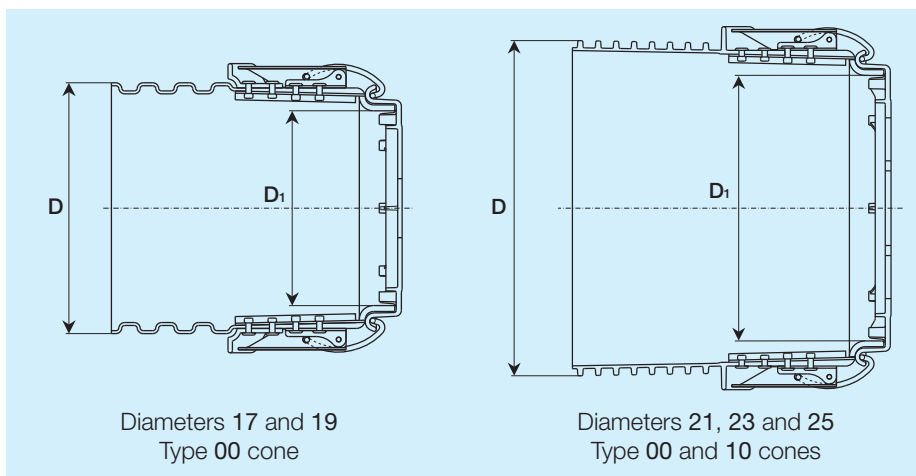
IIC shields, as well as driveline shields, should allow minimal access to revolving parts, but allow unhindered driveline movements.

Standard ISO 5673-1 defines a minimum 150 mm access.

SFT IIC shields are available with two types of shield cones, 00 and 10, which differ in shape, material and diameters.

Type 00 cones come in five different diameters and can be applied to end yokes, overrunning clutches, torsionally resilient joints, ratchet torque limiters, shear bolt torque limiters, and automatic torque limiters.

Type 10 cones come in three diameters and are made of heat-resistant plastic. They are recommended especially for protecting friction torque limiters, which are often used in heavy-duty applications and can reach high working temperatures.



Diameter code	Type 00		Type 10	
	D mm	D <sub>1</sub> mm	D mm	D <sub>1</sub> mm
17	170	132	---	---
19	190	152	---	---
21	214	165	214	165
23	235	185	235	185
25	259	207	259	207

## Codes for SFT IIC shields

- 1 2 3  
3 9 5 SFT IIC shield
- 4 5  
    IIC shield type  
 00: for yokes, ratchet torque limiters, shear bolt limiters, automatic limiters  
 10: heat-resistant plastic, recommended for friction torque limiters
- 6 7  
    IIC shield diameter  
 17, 19, 21, 23, 25 for type 00 cones  
 21, 23, 25 for type 10 cones
- 8 9  
    IIC Shield length  
 05, 10, 15, 20, 25, 30, 35, 40, 45, 50, 55, 60, 65, 70,75
- 10 11  
C E

Example: 395 00 23 30 CE  
 is the code for ordering a SFT IIC Shield with 00 cone, diameter D = 230 mm (code 23), length L = 185 mm (code 30), with an instruction sheet valid for all countries of destination.

Bondioli & Pavesi offers a wide range of shields for PTO's, specifically designed for drivelines and fully compliant with international standards.

Due to the broad range of implements and applications, the specifications contained herein should be used as a general guide to the selection of an implement input connection shield.

The implement manufacturer is responsible for selecting suitable IIC shielding according to the application, the size and the articulation range of the driveline, the standards applicable for the country of destination.

Thorough testing of the IIC shield by the implement manufacturer under actual field conditions is necessary and strongly recommended by Bondioli & Pavesi.

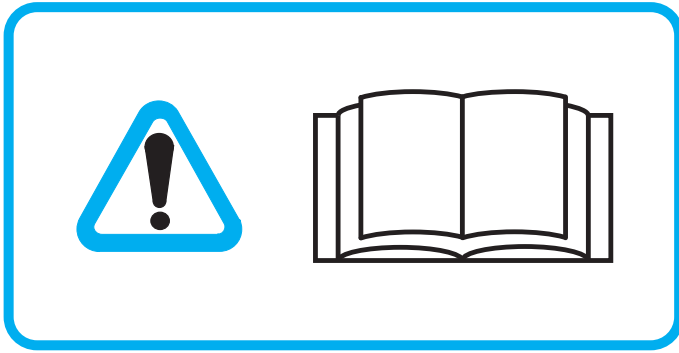
All rotating parts must be guarded. The shields on the tractor and on the implement machine must form an integrated guarding system with the driveline guard.

**Global**



**BONDIOLI  
& PAVESI**





The safety of the end user depends upon proper use and maintenance of the implement, tractor, and driveline, plus all related safety shielding. Information regarding correct driveline usage is included on the safety label and in the use and maintenance manual included with Bondioli & Pavesi drivelines. Safety labels and user's manuals in alternative languages are available to meet local requirements. If drivelines are to be used on ma-

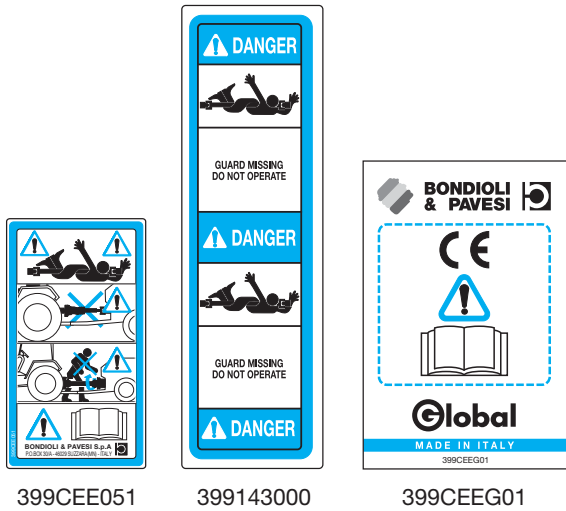
chines bound for export, contact Bondioli & Pavesi for labels and manuals. The manufacturer or purchaser must inform Bondioli & Pavesi when alternative labels or manuals are required. Read the driveline manual, and the operator's manual for the implement, before using the machine.

**YOUR SAFETY DEPENDS UPON THIS INFORMATION.**

## PRIMARY DRIVELINES FOR EEC-EFTA COUNTRIES

The primary driveline (the one that connects the tractor to the machine) sold in ECC and EFTA countries have the CE mark, safety label

code 399CEE051 and 399143000, user manual code 399CEEG01 and safety chains.

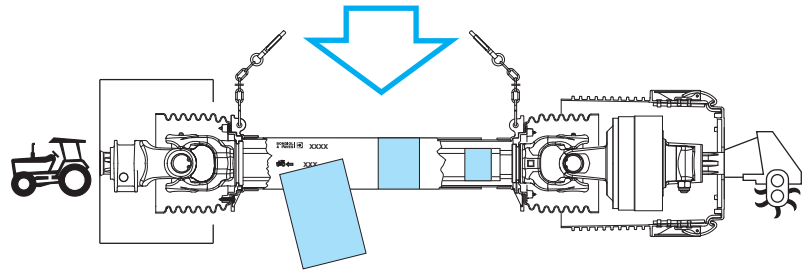


399CEE051

399143000

399CEEG01

OUTER LABEL  
399CEE051  
INNER LABEL  
399143000  
INSTRUCTION BOOKLET  
399CEEG01



## DRIVELINES FOR NORTH AMERICA (USA, Canada and Mexico)

Drivelines sold in North America (USA, Canada and Mexico) are equipped with safety labels code

399141000 and 399143000 and have the user's manual code 399USAG01.

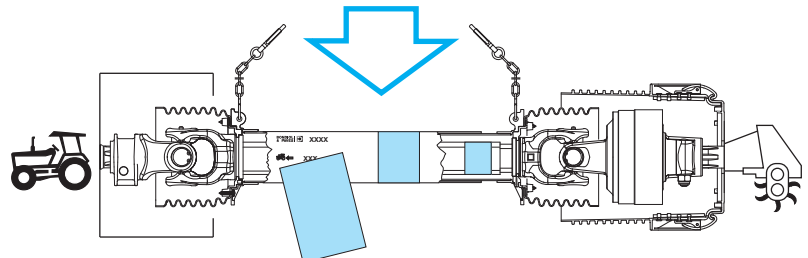


399141000

399143000

399USAG01

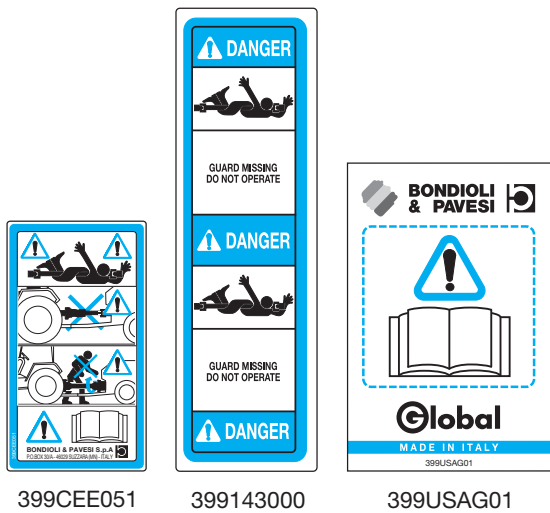
OUTER LABEL  
399141000  
INNER LABEL  
399143000  
INSTRUCTION BOOKLET  
399USAG01



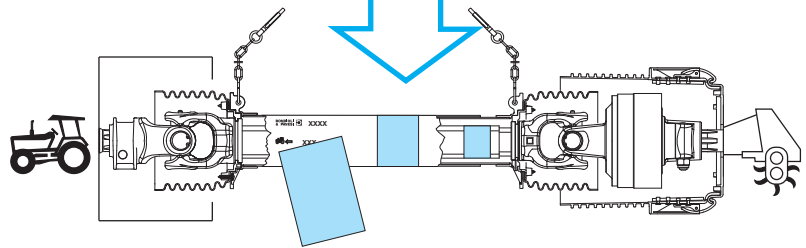
**NON-PRIMARY DRIVELINES FOR EEC/EFTA COUNTRIES AND DRIVELINES FOR NON-EEC/EFTA COUNTRIES**

Drivelines internal to the machine or sold to non-EEC/EFTA countries do not require the CE mark. They are equipped with safety labels

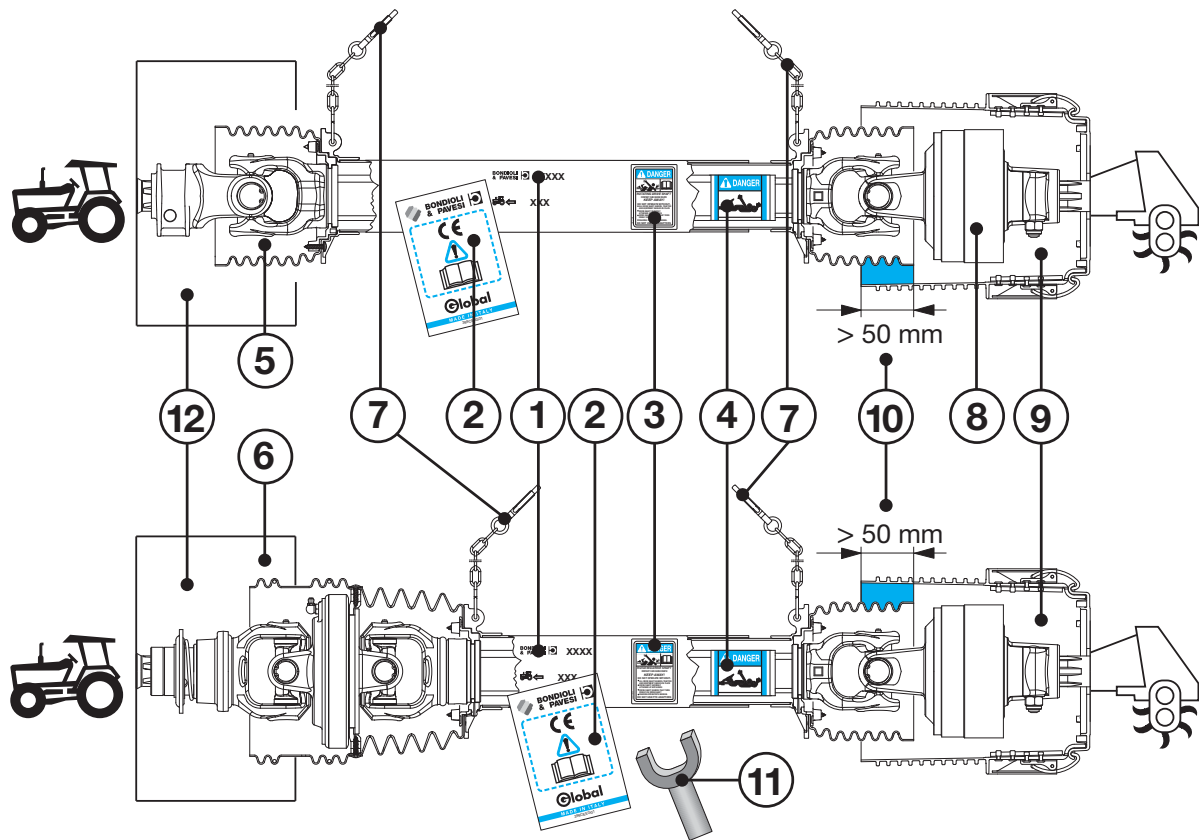
code 399CEE051 and 399143000, and have the users manual code 399USAG01.



OUTER LABEL  
399CEE051  
INNER LABEL  
399143000  
INSTRUCTION BOOKLET  
399USAG01

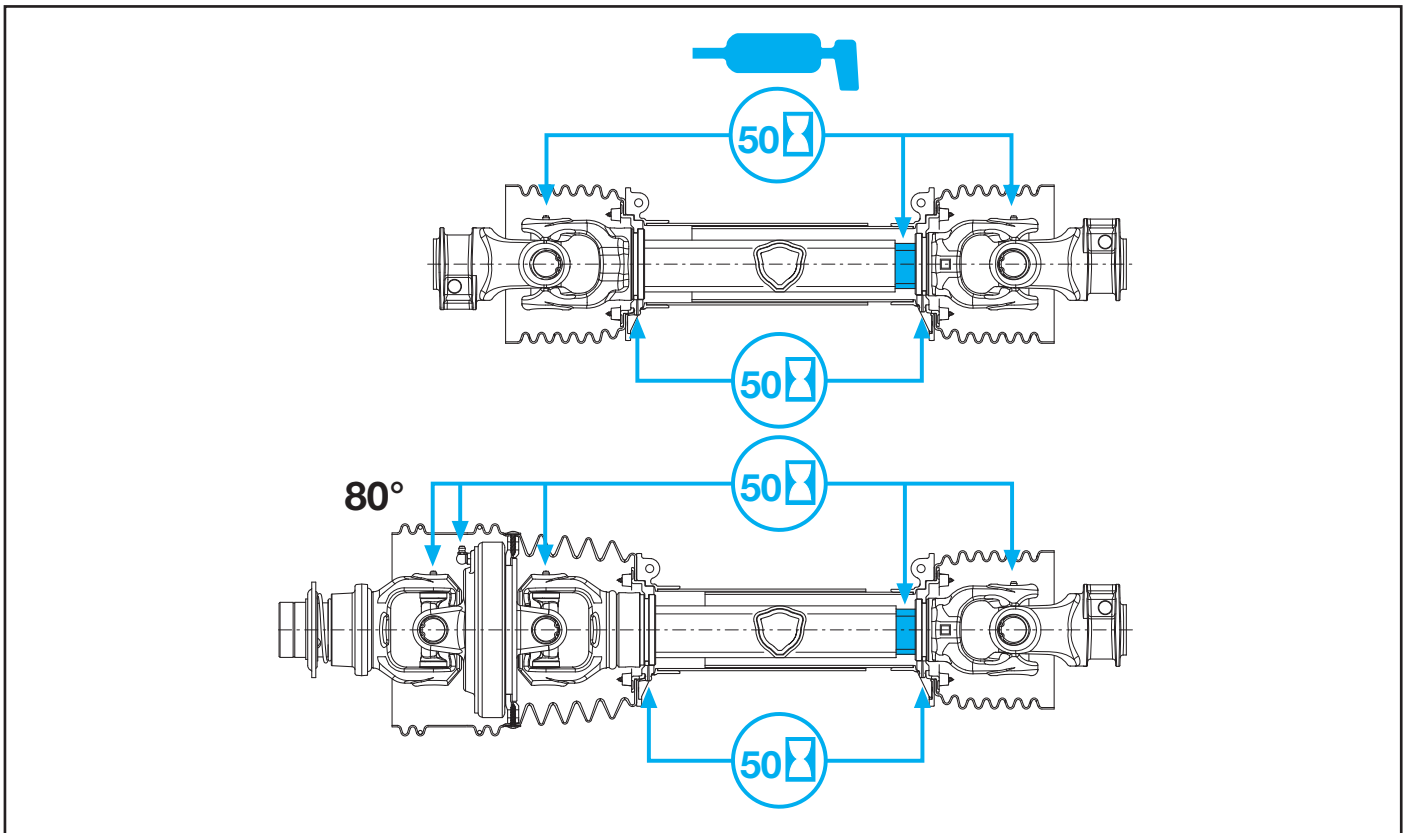


**CE - SAFETY FEATURES**



- |  |  |  |
|--|--|--|
| <p><b>1</b> Driveline identification, CE mark</p> <p><b>2</b> Operating instructions, CE-Declaration of Conformity</p> <p><b>3</b> Safety label on shield tube</p> <p><b>4</b> Safety label on telescoping members</p> | <p><b>5</b> Cone length at least to the end of the inboard joint</p> <p><b>6</b> Cone length at least to the end of the outer joint</p> <p><b>7</b> Safety chains</p> <p><b>8</b> Torque limiters or overrunning clutch on the implement side only</p> | <p><b>9</b> The implement must provide PIC shielding</p> <p><b>10</b> Minimum overlap in straight position</p> <p><b>11</b> Support for the PTO drive shaft when the machine is uncoupled</p> <p><b>12</b> Tractor master shield</p> |
|--|--|--|

**AFTER ANY MAINTENANCE OR REPAIR, ALWAYS REPLACE ALL GUARDS AND SHIELDS!**



Overrunning clutches RA1    Overrunning clutches RA2

Ratchet torque limiters SA    Ratchet torque limiters LN

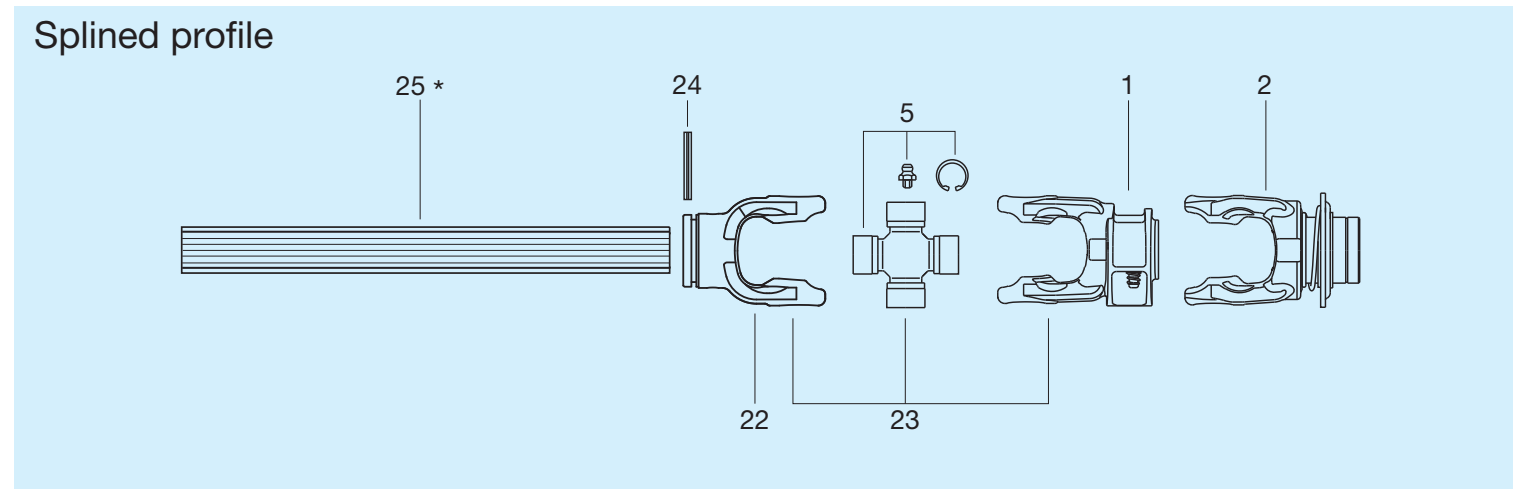
Shear bolt torque limiters LB

**SEASONAL LUBRICATION**

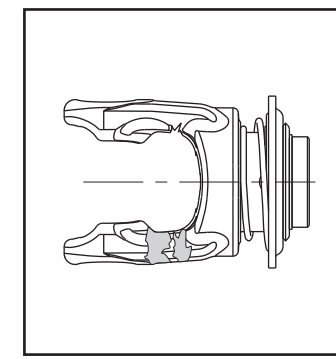
Combination friction torque limiter and overrunning clutch

FNT    FNV    FFNV

1	2	3	22
 1 3/8" Z6	 1 3/8" Z6	 1 3/8" Z6	 INNER YOKE FOR SPLINED BAR
5070B0355	5720B0355	---	---
5070C0355	5720C0355	---	---
5070E0355	5720E0355	5090E0360	---
5070E0355	5720E0355	5090E0360	Ø 46 204043251
5070G0355	5720G0355	5090G0360	Ø 53 204053361
5070H0355	5720H0355	5090H0360	Ø 59 204063361
5070L0355	5720L0355	5090L0360	Ø 59 204173451



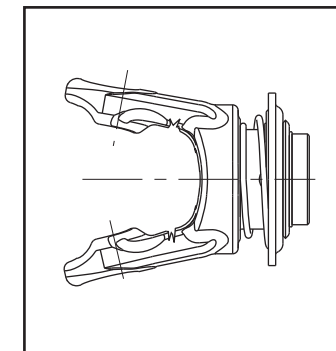
Guards removed for illustration purposes only. Make sure all driveline, tractor, and equipment shields are in place before operation.



**WEAR OF YOKE EARS**

EXCESSIVE WORKING ANGLE

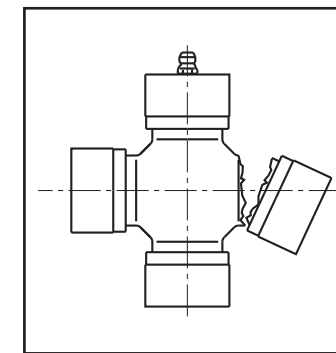
- Reduce working angle.
- Disengage PTO when joint angle exceeds 45°.



**DEFORMATION OF YOKE EARS**

EXCESSIVE TORQUE PEAK OR SHOCK LOAD

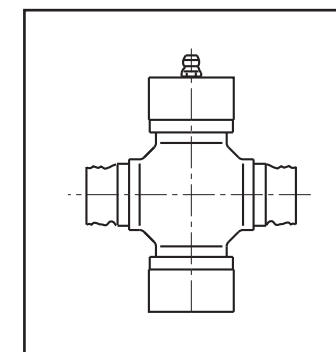
- Avoid overloading and engaging drive under load.
- Check function of torque limiter.



**CROSS ARMS BROKEN**

EXCESSIVE TORQUE PEAK OR SHOCK LOAD

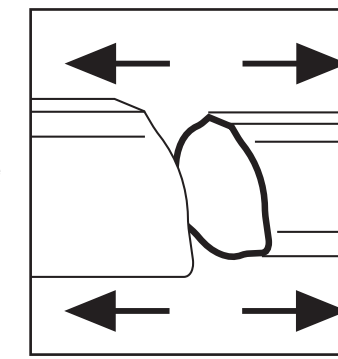
- Avoid overloading and engaging drive under load.
- Check function of torque limiter.



**ACCELERATED WEAR OF CROSS ARMS**

EXCESSIVE LOAD

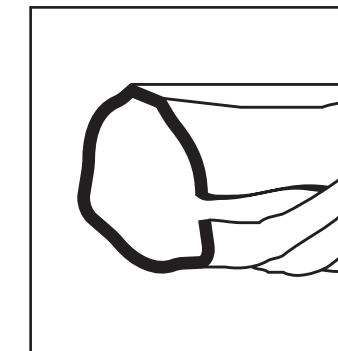
- Do not exceed the speed or power limits indicated in the instruction manual.
- INSUFFICIENT LUBRICATION
- Follow instructions in chapter "Lubrication and maintenance".



**SEPARATION OF TELESCOPING TUBES**

EXCESSIVE EXTENSION OF DRIVELINE

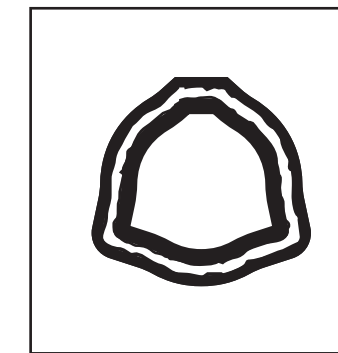
- Avoid excessive extension of driveline.
- For stationary machinery: position the tractor so that the telescoping tubes overlap as illustrated in chapter "Working conditions".
- Check extension of drawbar hitch according to the instruction manual.



**DEFORMATION OF TELESCOPING TUBES**

EXCESSIVE TORQUE PEAK OR SHOCK LOAD

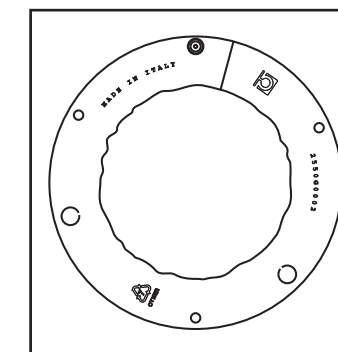
- Avoid overloading and engaging drive under load.
- Check functioning of torque limiter.
- Check that driveline does not come into contact with tractor or implement components during movement.



**ACCELERATED WEAR OF TELESCOPING TUBES**

INSUFFICIENT LUBRICATION

- Follow instructions in chapter "Lubrication Intervals."
- INSUFFICIENT TUBE OVERLAP
- Follow instruction in chapter "Safety and working conditions."



**ACCELERATED WEAR OF SHIELD BEARING**

INSUFFICIENT LUBRICATION

- Follow instructions in chapter "Lubrication intervals."



Size	540 min <sup>-1</sup> Power Rating		1000 min <sup>-1</sup> Power Rating		SINGLE & DOUBLE JOINTS	SINGLE & DOUBLE JOINTS	
	kW	CV	kW	CV			
G1	12	16	18	25	A=22,0 H=54,0	---	63,5
					4120B0012R50	---	
G2	15	21	23	31	A=23,8 H=61,3	A=22,0 H=76,0	70
					4120C0012R30	4120C0051R25	
G3	26	35	40	55	A=27,0 H=74,6	---	84
					4120E0012R25	---	
G4	26	35	40	55	A=27,0 H=74,6	A=22,0 H=86,0	84
					4120E0012R25	4120E0051R40	
G5	35	47	54	74	A=30,2 H=79,4	A=27,0 H=100,0	91
					4120G0012R40	4120G0051R24	
G7	47	64	74	100	A=30,2 H=91,4	A=27,0 H=100,0	103
					4120H0012R30	4120G0051R24	
G8	61	83	96	130	A=35,0 H=93,5	A=30,2 H=106,0	106
					4120L0012R24	4120L0051R20	

1	2	3	6	7	8
1 3/8" Z6	1 3/8" Z6	1 3/8" Z6	OUTER TUBE YOKE	JOINT FOR OUTER TUBE	ROLL PIN FOR OUTER TUBE
5070B0355	5720B0355	---	∅ 40	7G1GC049007	341036000R10
			204016851		
5070C0355	5720C0355	---	∅ 47	7G2GC049007	341048000R10
			204026851		
5070E0355	5720E0355	5090E0360	∅ 53	7G4GC049007	341038000R10
			204046851		
5070E0355	5720E0355	5090E0360	∅ 53	7G4GC049007	341038000R10
			204046851		
5070G0355	5720G0355	5090G0360	∅ 62	7G5GC049007	341053000R10
			204056860		
5070H0355	5720H0355	5090H0360	∅ 68	7G7GC049007	341042000R10
			204066851		
5070L0355	5720L0355	5090L0360	∅ 68	7G8GC049007	341042000R10
			204176851		

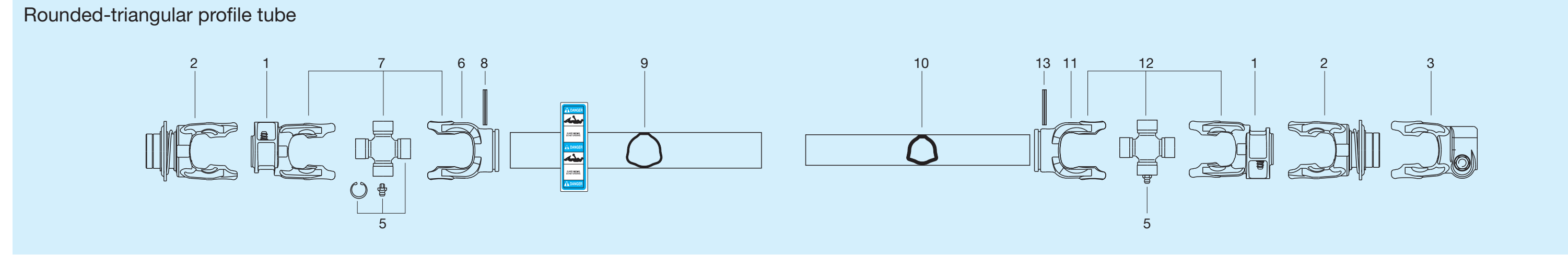
9	10	11	12	13
TUBO ESTERNO	TUBO INTERNO	FORCELLA PER TUBO INTERNO	JOINT FOR INNER TUBE	SPINA PER TUBO INTERNO
A=2,6 - B=32,5	A=4 - B=26,5	∅ 34	7G1GC050007	341037000R10
125033000R06	125023000R06	204016852		
A=3,2 - B=36	A=4 - B=29	∅ 40	7G2GC050007	341036000R10
125053000R06	125043000R06	204026852		
A=3,4 - B=43,5	A=3,2 - B=36	∅ 46	7G4GC050007	341048000R10
125083000R06	125053000R06	204046852		
A=3,4 - B=43,5	A=4 - B=36	∅ 46	7G4GC050007	341048000R10
125083000R06	125073000R06	204046852		
A=3 - B=51,5	A=3,8 - B=45	∅ 53	7G5GC050007	341002000R10
125103000R06	125973000R06	204056861		
A=4 - B=54	A=4,2 - B=45	∅ 59	7G7GC050007	341043000R10
125123000R06	125093000R06	204066852		
A=4 - B=54	A=5,5 - B=45	∅ 59	7G8GC050007	341043000R10
125123000R06	125113000R06	204176852		

PACKAGE QUANTITIES: THE NUMBER FOLLOWING THE LETTER "R" IN THE CODE INDICATES THE NUMBER OF PIECES IN EACH PACK. FOR EXAMPLE, 341036000R10 INDICATES THAT EACH PACKAGE CONTAINS 10 ROLL PINS.

The codes for the tubes reference the 3 meter lengths packaged in multiples of 6 pieces.

**WARNING!**

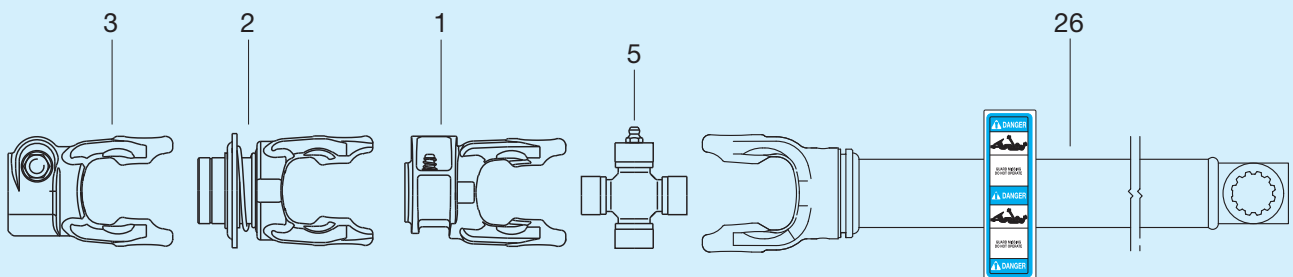
**MACHINERY DIRECTIVE 2006/42/CEE**  
With reference to the above mentioned directives dated January 1, 1995, in the CEE and EFTA member states, primary drivelines placed on the market and put into service must meet the essential safety requirements and will bear the brand and declaration of conformity.



Guards removed for illustration purposes only. Make sure all driveline, tractor, and equipment shields are in place before operation.

<p style="text-align: center;"><b>23</b></p>  <p style="text-align: center;">JOINT FOR SPLINED BAR</p>	<p style="text-align: center;"><b>24</b></p>  <p style="text-align: center;">ROLL PIN FOR SPLINED BAR</p>	<p style="text-align: center;"><b>25*</b></p>  <p style="text-align: center;">SPLINED BAR</p>	<p style="text-align: center;"><b>26*</b></p>  <p style="text-align: center;">YOKE &amp; SPLINED SLEEVE ASSEMBLY</p>
---	---	---	---
---	---	---	---
---	---	---	---
7G4GC059007	345013000R10	Ø 30 - Z 10	Ø 46
		24917...	569B4...
7G5GC059007	345012000R10	Ø 35 - Z 12	Ø 53
		24911...	569B5...
7G7GC059007	345001000R10	Ø 35 - Z 12	Ø 59
		24911...	569B6...
7G8GC059007	345001000R10	Ø 40 - Z 14	Ø 59
		24921...	569B7...

\* Complete the code with the length expressed in millimeters.



1		2				3		
1 3/8" Z21	D8x32x38	1 3/8" Z21	D8x32x38	1 3/4" Z6	1 3/4" Z20	1 3/8" Z21	1 3/4" Z6	1 3/4" Z20
5070B3755	5070B2151	5720B3776	---	---	---	---	---	---
5070C3755	5070C2151	5720C3776	---	---	---	---	---	---
5070E3755	5070E2151	5720E3755	5720E2151	---	---	5090E3760	---	---
5070E3755	5070E2151	5720E3755	5720E2151	---	---	5090E3760	---	---
5070G3755	5070G2151	5720G3755	5720G2151	5720G0455	5720G3855	5090G3760	5090G0460	5090G3860
5070H3755	5070H2151	5720H3755	5720H2151	5720H0455	5720H3855	5090H3760	5090H0460	5090H3860
5070L3755	5070L2151	5720L3755	5720L2151	5720L0455	5720L3855	5090L3760	5090L0460	5090L3860

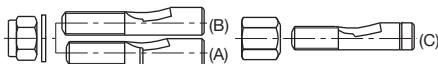
## Quick disconnect (QD) pins



Taper pin yokes should only be mounted on the implement end of primary driveshafts.

	G1	G2	G3-G4	G5	G7	G8
1 3/8" Z6	403000021R10	403000021R10	403000001R10	403000001R10	403000001R10	403000032R10
1 3/8" Z21	403000021R10	403000021R10	403000001R10	403000001R10	403000001R10	403000032R10
D8x32x38	403000021R10	403000021R10	403000001R10	403000001R10	403000001R10	403000032R10
1 3/4" Z6	---	---	---	---	---	---
1 3/4" Z20	---	---	---	---	---	---

## Tapered pin kits



Use pin that fits completely into hub. Discard other pins and nut.  
Use tapered nut ONLY with pin (C) and yoke with counter-sunk hole.

	G1	G2	G3-G4	G5	G7	G8
1 3/8" Z6	---	---	408000075R	408000075R	408000075R	408000075R
1 3/8" Z21	---	---	408000075R	408000075R	408000075R	408000075R
1 3/4" Z6	---	---	---	408000076R	408000076R	408000076R
1 3/4" Z20	---	---	---	408000076R	408000076R	408000076R

Ball collar repair kits



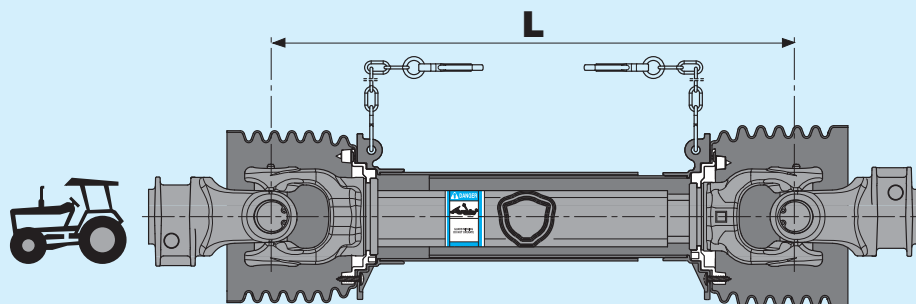
	<b>G1</b>	<b>G2</b>	<b>G3-G4</b>	<b>G5</b>	<b>G7</b>	<b>G8</b>
<b>1 3/8" Z6</b>	435000320R	435000320R	435000321R	435000321R	435000321R	435000322R
<b>1 3/8" Z21</b>	435000300R	435000300R	435000321R	435000321R	435000321R	435000322R
<b>D8x32x38</b>	---	---	---	435002115R	435002115R	435002116R
<b>1 3/4" Z6</b>	---	---	---	435000418R	435000418R	435000419R
<b>1 3/4" Z20</b>	---	---	---	435000418R	435000418R	435000419R

With rounded-triangular profile tubes.

051	061	071	086	101	121
510	610	710	860	1010	1210
7G1N051CE007007	7G1N061CE007007	7G1N071CE007007	7G1N086CE007007	7G1N101CE007007	7G1N121CE007007
7G2N051CE007007	7G2N061CE007007	7G2N071CE007007	7G2N086CE007007	7G2N101CE007007	7G2N121CE007007
7G3N051CE007007	7G3N061CE007007	7G3N071CE007007	7G3N086CE007007	7G3N101CE007007	7G3N121CE007007
7G4N051CE007007	7G4N061CE007007	7G4N071CE007007	7G4N086CE007007	7G4N101CE007007	7G4N121CE007007
7G5N051CE007007	7G5N061CE007007	7G5N071CE007007	7G5N086CE007007	7G5N101CE007007	7G5N121CE007007
7G7N051CE007007	7G7N061CE007007	7G7N071CE007007	7G7N086CE007007	7G7N101CE007007	7G7N121CE007007
7G8N051CE007007	7G8N061CE007007	7G8N071CE007007	7G8N086CE007007	7G8N101CE007007	7G8N121CE007007

Codes above are equipped with CE mark (includes CE labels, instructions, and declaration of conformity). For other countries, the "CE" may be replaced by "U2" (for North America), "JP" (for Japan), or "FX", which will have labels and instructions according to pages 2 and 3.

Rounded-triangular profile tubes

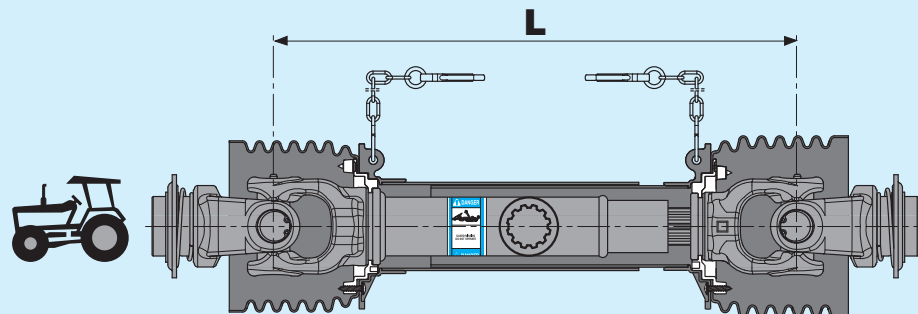


With splined profiles

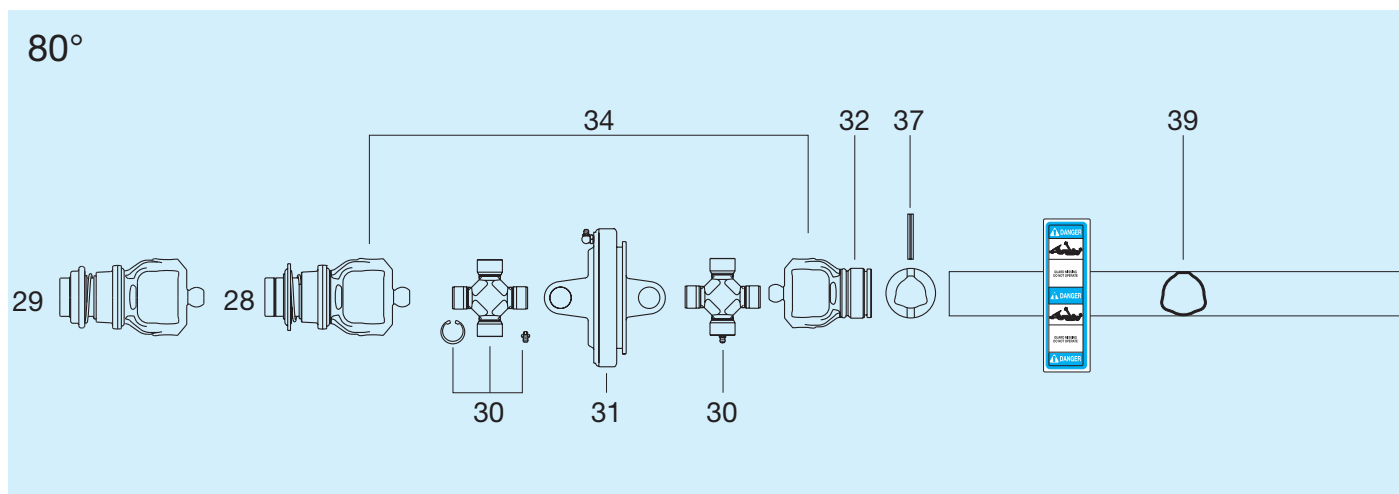
041	051	061	071
410	510	610	710
---	---	---	---
---	---	---	---
---	---	---	---
7G4S041CE007007	7G4S051CE007007	7G4S061CE007007	7G4S071CE007007
7G5S041CE007007	7G5S051CE007007	7G5S061CE007007	7G5S071CE007007
7G7S041CE007007	7G7S051CE007007	7G7S061CE007007	7G7S071CE007007
7G8S041CE007007	7G8S051CE007007	7G8S061CE007007	7G8S071CE007007

Codes above are equipped with CE mark (includes CE labels, instructions, and declaration of conformity). For other countries, the "CE" may be replaced by "U2" (for North America), "JP" (for Japan), or "FX", which will have labels and instructions according to pages 2 and 3.


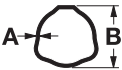

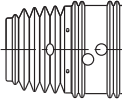

Splined profiles



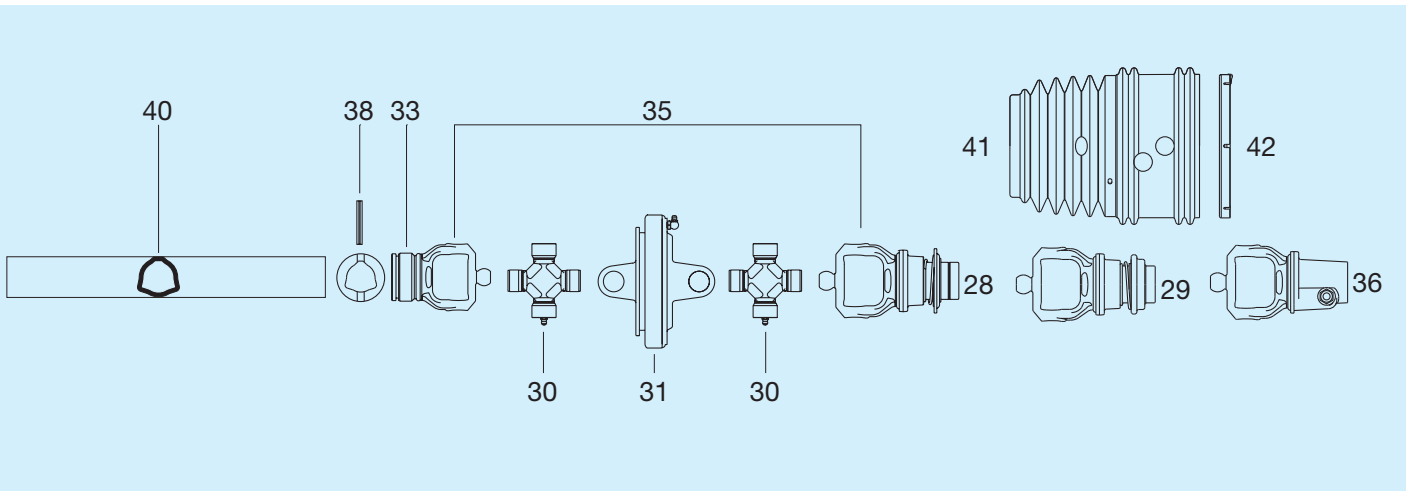
28	29	31	32	33	34	35	37
1 3/8" Z6	1 3/8" Z6	CV BODY	CV OUTER TUBE YOKE	CV INNER TUBE YOKE	JOINT FOR OUTER TUBE	JOINT FOR INNER TUBE	ROLL PIN FOR OUTER TUBE
---	---	---	---	---	---	---	---
B 87	---	5110C0053	B 102	B 102	7G2GWW49WR7	7G2GWW50WR7	341048000R10
5730C0377	---		2150C6864	2150C6865			
---	---	---	---	---	---	---	---
B 103	B 103	5110E0052	B 99	B 99	7G4GWW49WR7	7G4GWW50WR7	341038000R10
5730E0384	5730E0391		2150E6885	2150E6887			
B 119	B 119	5110G0061	B 109	B 109	7G5GWW49WR7	7G5GWW50WR7	341053000R10
5730G0384	5730G0391		2150G6891	2150G6892			
B 119	B 119	5110G0061	B 109	B 109	7G7GWW49WR7	7G7GWW50WR7	341042000R10
5730G0384	5730G0391		2150G6893	2150G6894			
B 126	B 126	5110L0063	B 124	B 124	7G8GWW49WS7	7G8GWW50WR7	341042000R10
5730L0387	5730L0391		2150L6875	2150L6876			



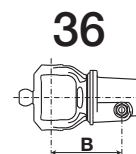
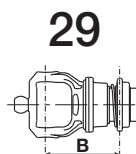
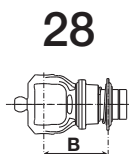
Guards removed for illustration purposes only. Make sure all driveline, tractor, and equipment shields are in place before operation.

<p><b>38</b></p>  <p>ROLL PIN FOR INNER TUBE</p>	<p><b>39</b></p>  <p>OUTER DRIVE TUBE - RILSAN</p>	<p><b>40</b></p>  <p>INNER DRIVE TUBE - RILSAN</p>	<p><b>41</b></p>  <p>SHIELD CONE</p>	<p><b>42</b></p>  <p>CV SHIELD CONE BEARING RING</p>
---	---	---	---	---
341036000R10	A=2,9 - B=36 125183000R06	A=4,3 - B=29,6 245043000R06	219021401	2550E0005R02
---	---	---	---	---
341048000R10	A= 3,1 B= 43,5 125163000R06	C= 4,3 D= 36,6 245103000R06	219041401	2550E0005R02
341053000R10	A= 2,7 B= 51,5 125203000R06	C= 4,1 D= 45,6 245113000R06	219051401	2550G0024R02
341053000R10	A= 3,7 B= 54 125173000R06	C= 4,5 D= 45,6 245163000R06	219051401	2550G0024R02
341053000R10	A= 3,7 B= 54 125173000R06	C= 5,8 D= 45,6 245183000R06	219081401	2550L0023R02

The codes for the tubes reference the 3 meter lengths packaged in multiples of 6 pieces.







1 3/8" Z21	D8x32x38	1 3/4" Z6	1 3/4" Z20	1 3/8" Z21	1 3/4" Z6	1 3/4" Z20	1 3/8" Z6	1 3/8" Z21	1 3/4" Z6	1 3/4" Z20
---	---	---	---	---	---	---	---	---	---	---
B 87	B 89	---	---	---	---	---	---	---	---	---
5730C3789	5730C2175	---	---	---	---	---	---	---	---	---
---	---	---	---	---	---	---	---	---	---	---
B 91	B 103	B 109	B 109	B 91	B 109	B 109	B 103	B 91	---	---
5730E3784	5730E2184	5730E0484	5730E3884	5730E3791	5730E0491	5730E3891	5110E0361	5110E3761	---	---
B 106	B 119	B 120	B 120	B 106	B 120	B 120	B 119	B 106	B 120	B 120
5730G3784	5730G2184	5730G0484	5730G3884	5730G3791	5730G0491	5730G3891	5110G0361	5110G3761	5110G0461	5110G3861
B 106	B 119	B 120	B 120	B 106	B 120	B 120	B 119	B 106	B 120	B 120
5730G3784	5730G2184	5730G0484	5730G3884	5730G3791	5730G0491	5730G3891	5110G0361	5110G3761	5110G0461	5110G3861
B 114	B 126	B 127	B 127	B 114	B 127	B 127	B 126	B 114	B 127	B 127
5730L3784	5730L2184	5730L0484	5730L3887	5730L3791	5730L0491	5730L3891	5110L0361	5110L3761	5110L0461	5110L3861

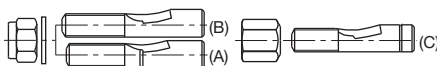
## Ball collar repair kits



Taper pin yokes should only be mounted on the implement end of primary driveshafts.

	G1	G2	G3	G4	G5-G7	G8
1 3/8" Z6	---	435000323R	---	435000323R	435000323R	435000323R
1 3/8" Z21	---	435000323R	---	435000323R	435000323R	435000323R
D8x32x38	---	435002115R	---	435002115R	435002117R	435002117R
1 3/4" Z6	---	---	---	435000420R	435000420R	435000420R
1 3/4" Z20	---	---	---	435000420R	435000420R	435000420R

## Tapered pin kits



Use pin that fits completely into hub. Discard other pins and nut.  
Use tapered nut ONLY with pin (C) and yoke with counter-sunk hole.

	G1	G2	G3	G4	G5 -G7	G8
1 3/8" Z6	---	---	---	408000075R	408000075R	408000075R
1 3/8" Z21	---	---	---	408000075R	408000075R	408000075R
1 3/4" Z6	---	---	---	---	408000076R	408000076R
1 3/4" Z20	---	---	---	---	408000076R	408000076R

Automatic ball collar  
repair / retrofit kits

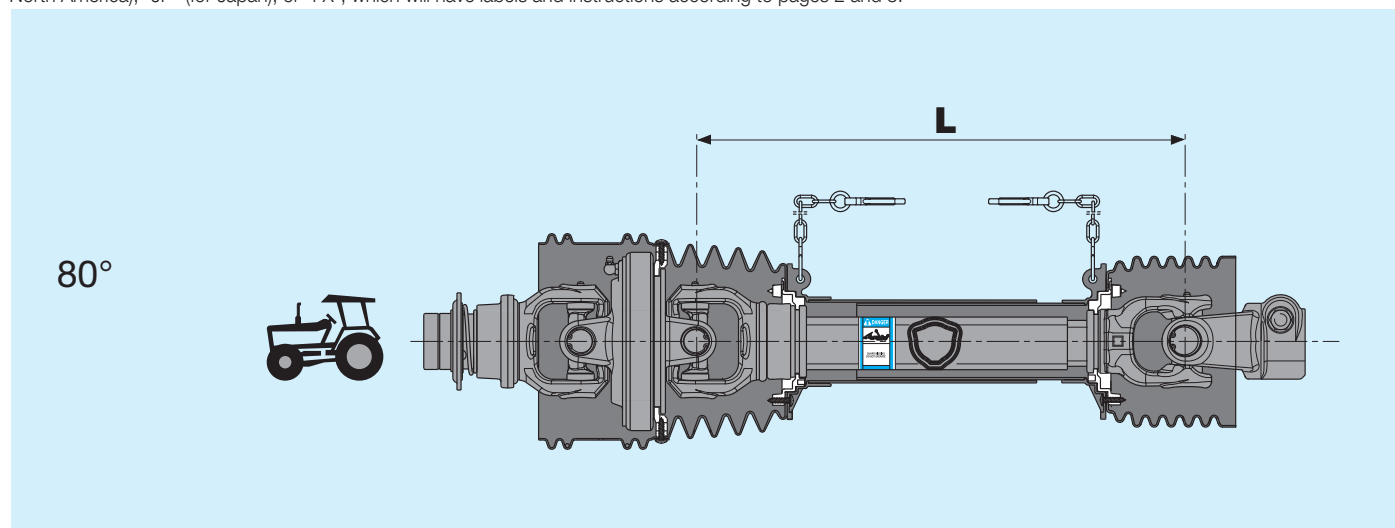


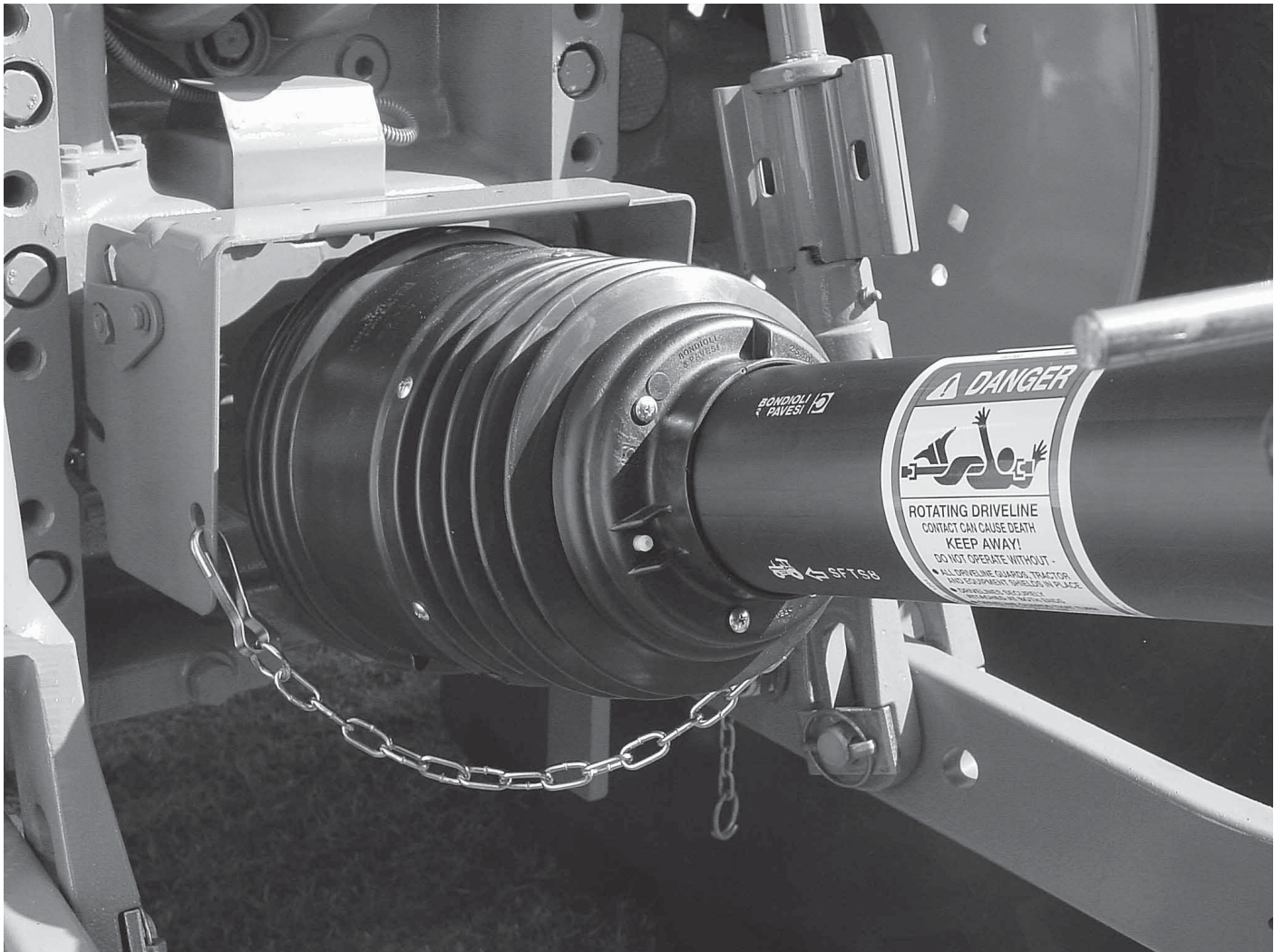
	<b>G1</b>	<b>G2</b>	<b>G3</b>	<b>G4</b>	<b>G5-G7</b>	<b>G8</b>
1 3/8" Z6	---	---	---	435000311R	435000311R	435000311R
1 3/8" Z21	---	---	---	435000311R	435000311R	435000311R
1 3/4" Z6	---	---	---	435000411R	435000411R	435000411R
1 3/4" Z20	---	---	---	435000411R	435000411R	435000411R

## Complete driveshafts

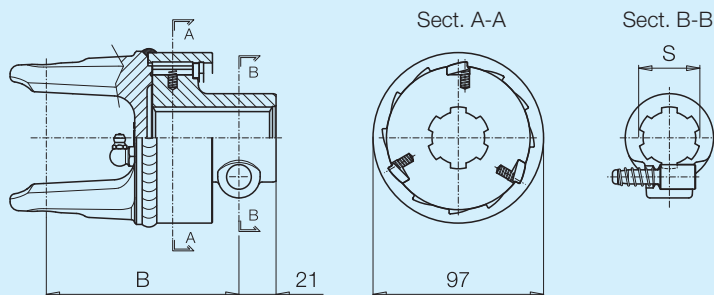
071	081	086	101	121
710	810	860	1010	1210
---	---	---	---	---
7G2R071CEWR7007	7G2R081CEWR7007	7G2R086CEWR7007	7G2R101CEWR7007	7G2R121CEWR7007
---	---	---	---	---
7G4R071CEWR7007	7G4R081CEWR7007	7G4R086CEWR7007	7G4R101CEWR7007	7G4R121CEWR7007
---	---	---	7G5R101CEWR7007	---
7G7R071CEWR7007	7G7R081CEWR7007	7G7R086CEWR7007	7G7R101CEWR7007	7G7R121CEWR7007
7G8R071CEWS7007	7G8R081CEWS7007	7G8R086CEWS7007	7G8R101CEWS7007	7G8R121CEWS7007

Codes above are equipped with CE mark (includes CE labels, instructions, and declaration of conformity). For other countries, the "CE" may be replaced by "U2" (for North America), "JP" (for Japan), or "FX", which will have labels and instructions according to pages 2 and 3.





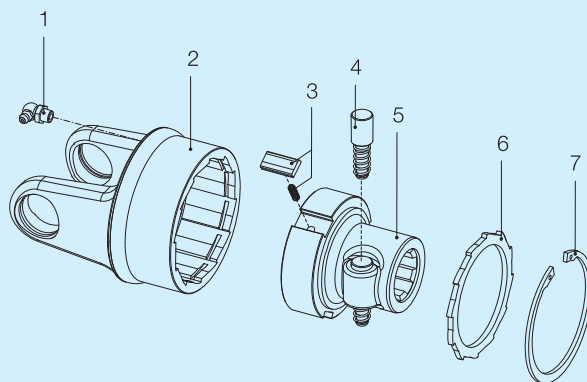
## RA1



Maximum torque  
2400 Nm

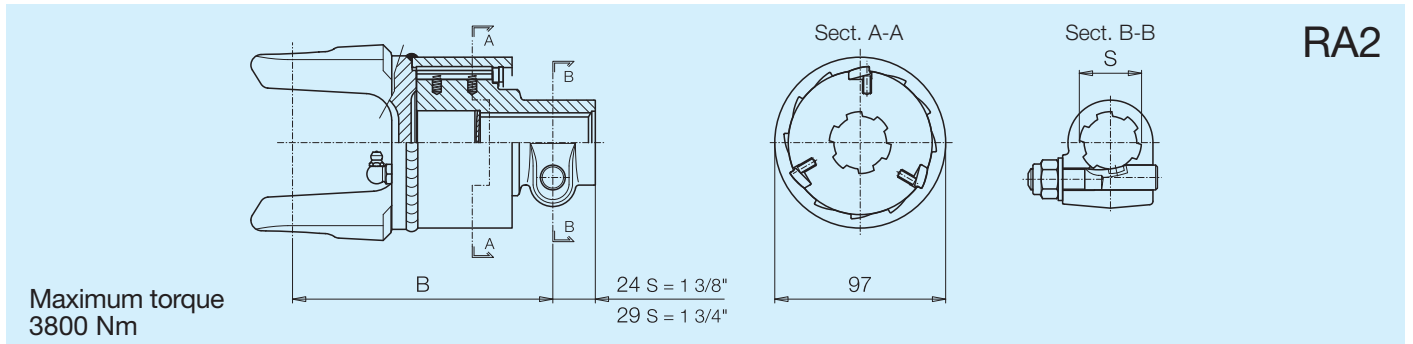
Size	B (mm)				Spare parts code				
	S 1 3/8" Z6	S 1 3/8" Z21	S 1 3/4" Z6	S 1 3/4" Z20	1 3/8" Z6	1 3/8" Z6 (SX)	1 3/8" Z21	1 3/4" Z6	1 3/4" Z20
G1	94	94	---	---	601101701R	602101701R	601101702R	---	---
G2	100	100	---	---	601102701R	602102701R	601102702R	---	---
G3-G4	109	109	---	---	601104701R	602104701R	601104702R	---	---
G5	112	112	---	---	601105704R	602105701R	601105702R	---	---

The codes in columns with heading **(SX)** are for counter-clockwise rotation. All other codes are for clockwise rotation.



Ref.	Size	Spare parts code	Description	Technical data
1		348014000R20	Grease fitting	
2	G1	418011201R	Outer housing + yoke	
	G2	418021201R		
	G3-G4	418041203R		
	G5	418051201R		
3		4210C0001R03	Pawl + spring kit	
4		403000001R10	Push-pin kit	
5		5130C0301R	Hub with push-pin	1 3/8" Z6
		5130C3701R		1 3/8" Z21
6		246000132R02	Locking plate	
7		338005000R20	Snap ring	82 x 2.5 DIN 472/1

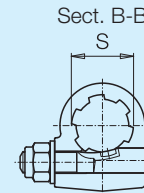
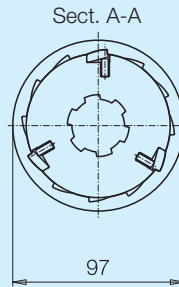
For primary drivelines, always install any torque limiter or overrunning clutch on the implement side.  
All rotating parts must be guarded.



RA2

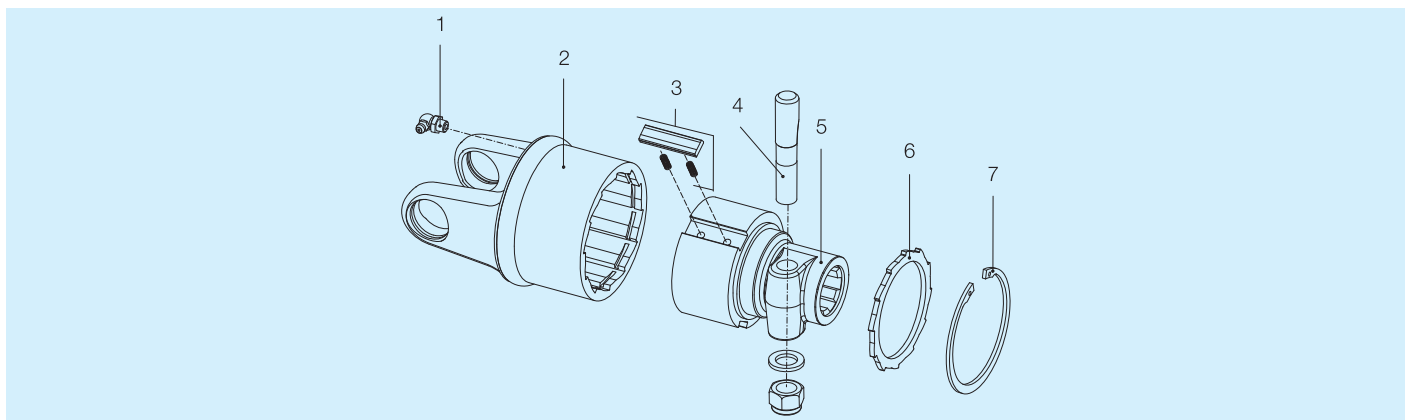
Maximum torque  
3800 Nm

24 S = 1 3/8"  
29 S = 1 3/4"



Size	B (mm)				Spare parts code				
	S 1 3/8" Z6	S 1 3/8" Z21	S 1 3/4" Z6	S 1 3/4" Z20	1 3/8" Z6	1 3/8" Z6 (SX)	1 3/8" Z21	1 3/4" Z6	1 3/4" Z20
G5	140	140	142	142	601205601R	602205601R	601205602R	601205603R	601205604R
G7	147	147	149	149	601206601R	602206601R	601206602R	601206603R	601206604R
G8	160	160	162	162	601217601R	---	601217602R	601217603R	601217604R

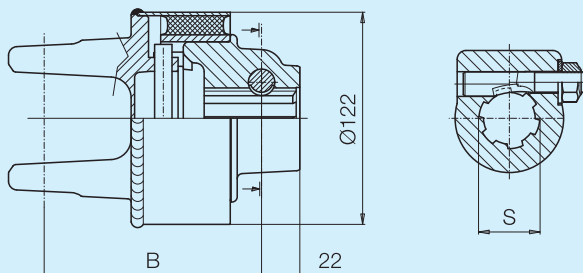
The codes in columns with heading **(SX)** are for counter-clockwise rotation. All other codes are for clockwise rotation.



Ref.	Size	Spare parts code	Description	Technical data
1		348014000R20	Grease fitting	
2	G5	418052203R	Outer housing + yoke	
	G7	418062203R		
	G8	418172203R		
3		4210E0001R03	Pawl + spring kit	
4		408000047R02	Taper pin	1 3/8" Z6 - Z21
		408000046R02		1 3/4" Z6 - Z20
5		5150E0301R	Hub with taper pin	1 3/8" Z6
		5150E3701R		1 3/8" Z21
		5150E0401R		1 3/4" Z6
		5150E3801R		1 3/4" Z20
6		246000132R02	Locking plate	1 3/8" Z6 - Z21
		246000134R02	Split locking plate	1 3/4" Z6 - Z20
7		338005000R20	Snap ring	82 x 2.5 DIN 472/1

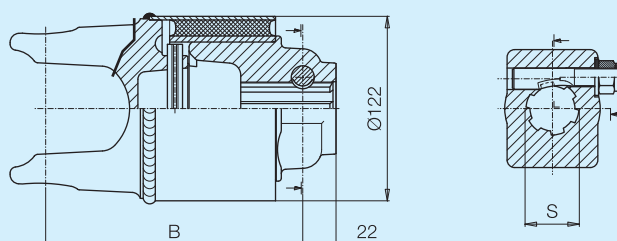
For primary drivelines, always install any torque limiter or overrunning clutch on the implement side.  
All rotating parts must be guarded.

## GE4



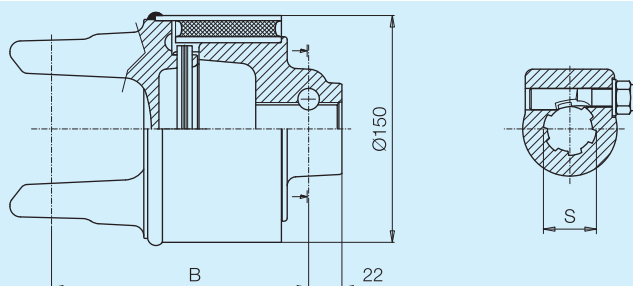
Size Maximum torque	B (mm)				Spare parts code			
	S	S	S	S	1 3/8" Z6	1 3/8" Z21	1 3/4" Z6	1 3/4" Z20
1700 Nm	1 3/8" Z6	1 3/8" Z21	1 3/4" Z6	1 3/4" Z20	1 3/8" Z6	1 3/8" Z21	1 3/4" Z6	1 3/4" Z20
G4	123	123	---	---	608E46501R	608E46502R	---	---
G5	134	134	---	---	608G46501R	608G46502R	---	---

## GE6



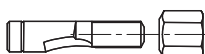
Size Maximum torque	B (mm)				Spare parts code			
	S	S	S	S	1 3/8" Z6	1 3/8" Z21	1 3/4" Z6	1 3/4" Z20
1700 Nm	1 3/8" Z6	1 3/8" Z21	1 3/4" Z6	1 3/4" Z20	1 3/8" Z6	1 3/8" Z21	1 3/4" Z6	1 3/4" Z20
G7	170	170	170	170	608H65501R	608H65502R	608H65503R	608H65504R
3000 Nm	170	170	170	170	608H66501R	608H66502R	608H66503R	608H66504R

## GE8

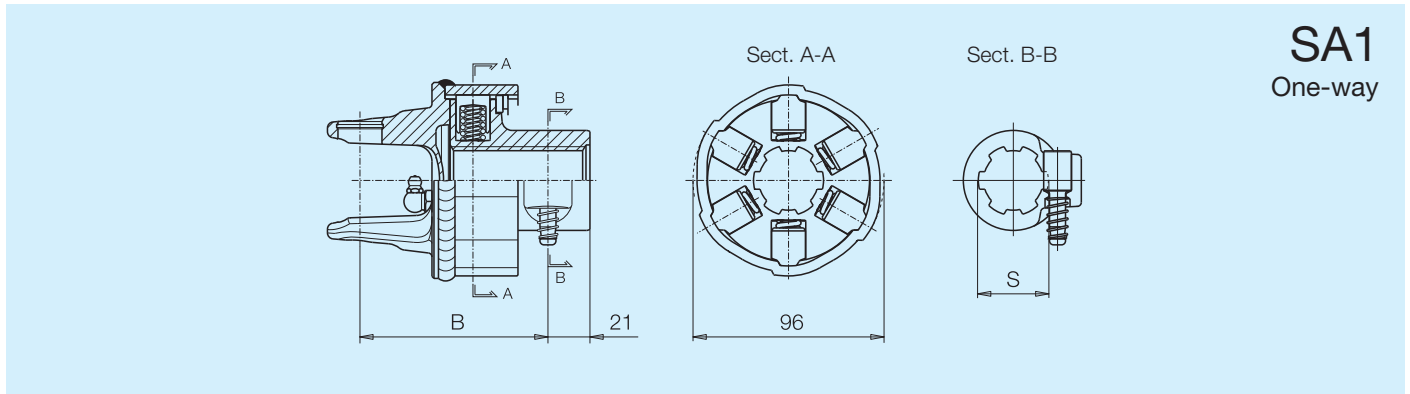


Size Maximum torque	B (mm)				Spare parts code			
	S	S	S	S	1 3/8" Z6	1 3/8" Z21	1 3/4" Z6	1 3/4" Z20
5000 Nm	1 3/8" Z6	1 3/8" Z21	1 3/4" Z6	1 3/4" Z20	1 3/8" Z6	1 3/8" Z21	1 3/4" Z6	1 3/4" Z20
G8	169	169	169	169	608L86501R	608L86502R	608L86503R	608L86504R

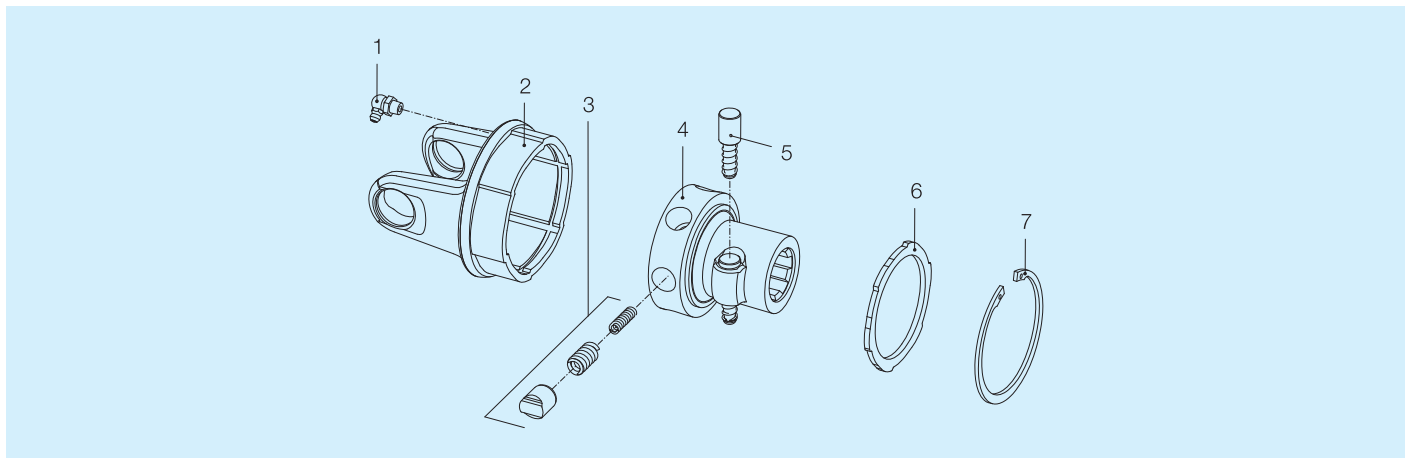
## Taper pin




1 3/8" Z6	1 3/8" Z21	1 3/4" Z6	1 3/4" Z20
408000047R02	408000047R02	408000046R02	408000046R02



Size	Torque Nm	B (mm)				Spare parts code			
		S 1 3/8" Z6	S 1 3/8" Z21	S 1 3/4" Z6	S 1 3/4" Z20	1 3/8" Z6	1 3/8" Z21	1 3/4" Z6	1 3/4" Z20
G1	400	94	---	---	---	610124001R	---	---	---

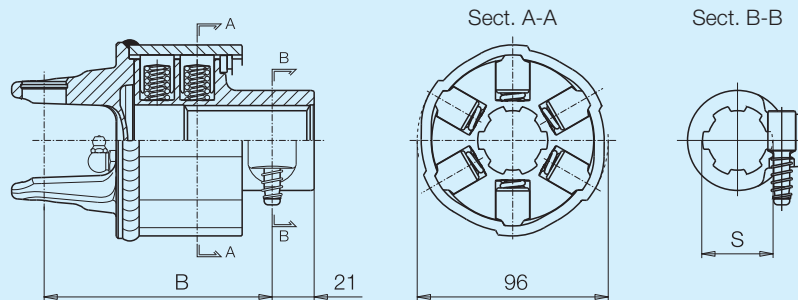


Ref.	Size	Spare parts code	Description	Technical data
1		348014000R20	Grease fitting	
2	G1	422011020R	Outer housing + yoke	
3		421340001R06	Ratchet + spring kit	
4		513340302R	Hub with push-pin	1 3/8" Z6
5		403000001R10	Push-pin kit	
6		240000033R02	Locking plate	
7		338005000R20	Snap ring	82 x 2.5 DIN 472/1

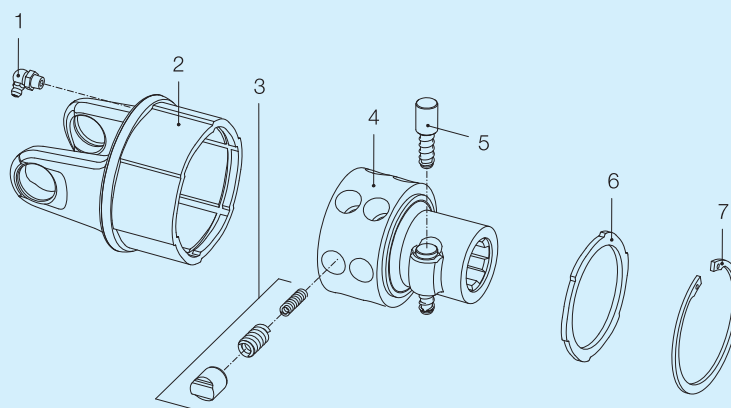
 For primary drivelines, always install any torque limiter or overrunning clutch on the implement side. All rotating parts must be guarded. Ratchet torque limiters should be used only on drivelines operating at speeds less than 700 min<sup>-1</sup>.



## SA2 One-way

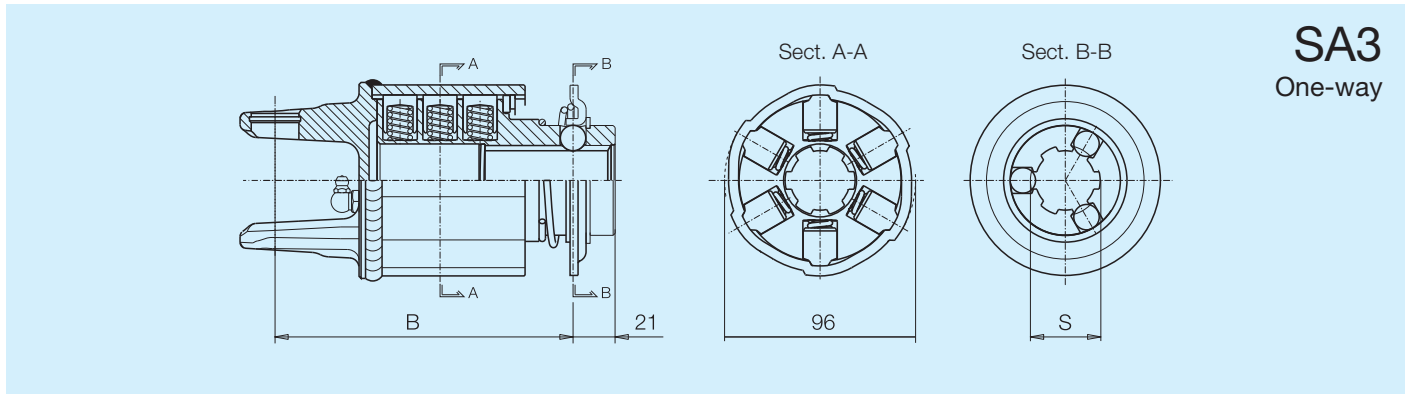


Size	Torque Nm	B (mm)				Spare parts code			
		S 1 3/8" Z6	S 1 3/8" Z21	S 1 3/4" Z6	S 1 3/4" Z20	1 3/8" Z6	1 3/8" Z21	1 3/4" Z6	1 3/4" Z20
G1	650	114	---	---	---	610234001R	---	---	---
G2	650	120	---	---	---	611234005R	---	---	---
	800					611239001R	---	---	---

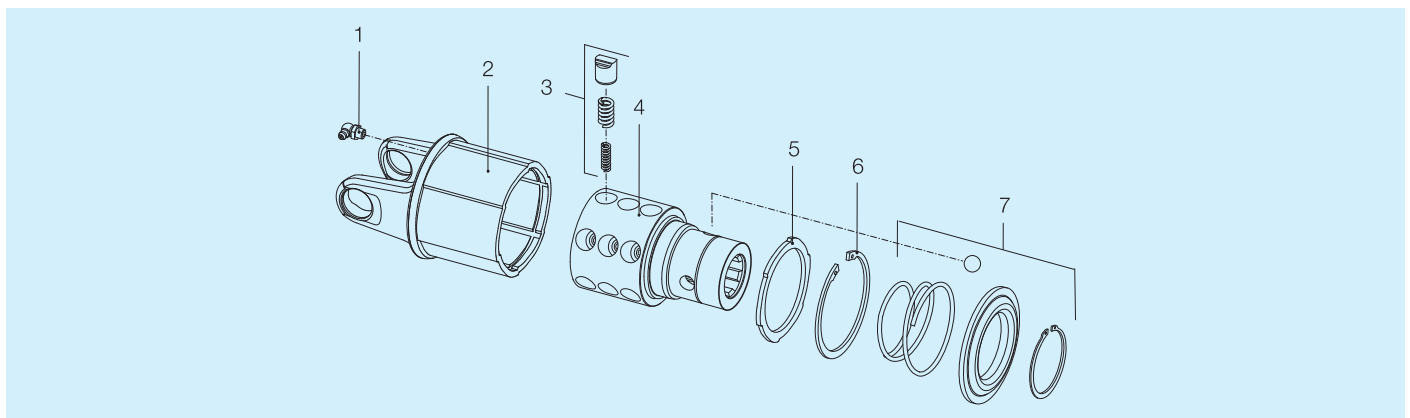


Ref.	Size	Spare parts code	Description	Technical data
1		348014000R20	Grease fitting	
2	G1	422012020R	Outer housing + yoke	
	G2	422022020R		
3		421340001R06	Ratchet + spring kit	
4		513350302R	Hub with push-pin	1 3/8" Z6
5		403000001R10	Push-pin kit	
6		240000033R02	Locking plate	
7		338005000R20	Snap ring	82 x 2.5 DIN 472/1

For primary drivelines, always install any torque limiter or overrunning clutch on the implement side. All rotating parts must be guarded. Ratchet torque limiters should be used only on drivelines operating at speeds less than 700 min<sup>-1</sup>.



Size	Torque Nm	B (mm)				Spare parts code			
		S 1 3/8" Z6	S 1 3/8" Z21	S 1 3/4" Z6	S 1 3/4" Z20	1 3/8" Z6	1 3/8" Z21	1 3/4" Z6	1 3/4" Z20
G2	900	149	---	---	---	611341501R	---	---	---
G3-G4	1000	158	---	---	---	613344501R	---	---	---
	1200					613348501R	---	---	---
G5	1200	161	---	---	---	614348501R	---	---	---

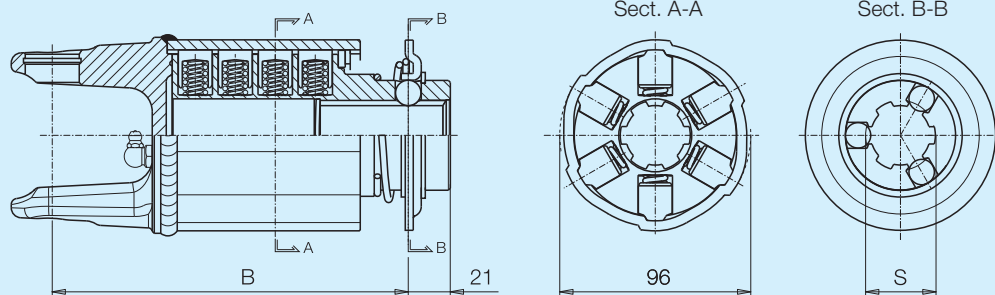


Ref.	Size	Spare parts code	Description	Technical data
1		348014000R20	Grease fitting	
2	G2	422023020R	Outer housing + yoke	
	G3-G4	422043020R		
	G5	422053020R		
3		421340001R06	Ratchet + spring kit	
4		2270Q0303R	Hub	1 3/8" Z6
5		240000033R02	Locking plate	
6		338005000R20	Snap ring	82 x 2.5 DIN 472/1
7		435000321R	Ball collar kit	

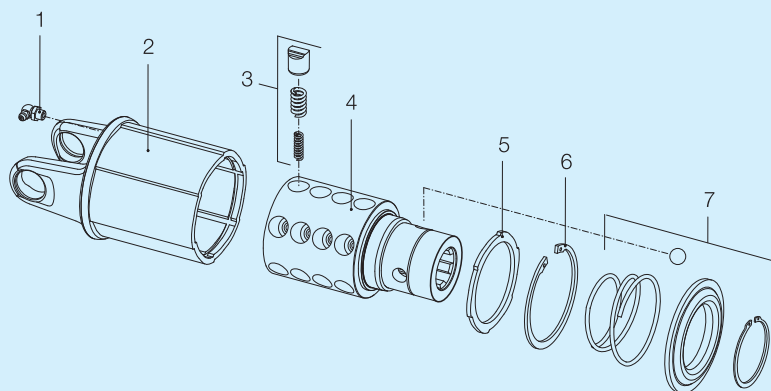
For primary drivelines, always install any torque limiter or overrunning clutch on the implement side. All rotating parts must be guarded. Ratchet torque limiters should be used only on drivelines operating at speeds less than 700 min<sup>-1</sup>.

## SA4

One-way

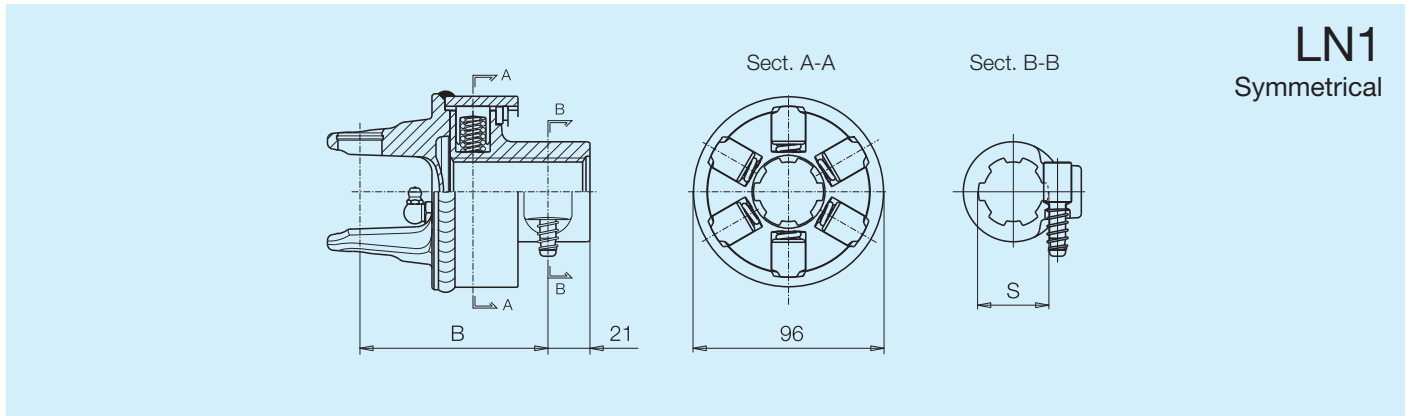


Size	Torque Nm	B (mm)				Spare parts code			
		S 1 3/8" Z6	S 1 3/8" Z21	S 1 3/4" Z6	S 1 3/4" Z20	1 3/8" Z6	1 3/8" Z21	1 3/4" Z6	1 3/4" Z20
G3-G4	1400	178	---	---	---	613452501R	---	---	---
	1600					613456501R	---	---	---
G5	1400	181	---	---	---	614452501R	---	---	---
	1600					614456501R	---	---	---
G7	1400	188	---	---	---	615452501R	---	---	---
	1600					615456501R	---	---	---

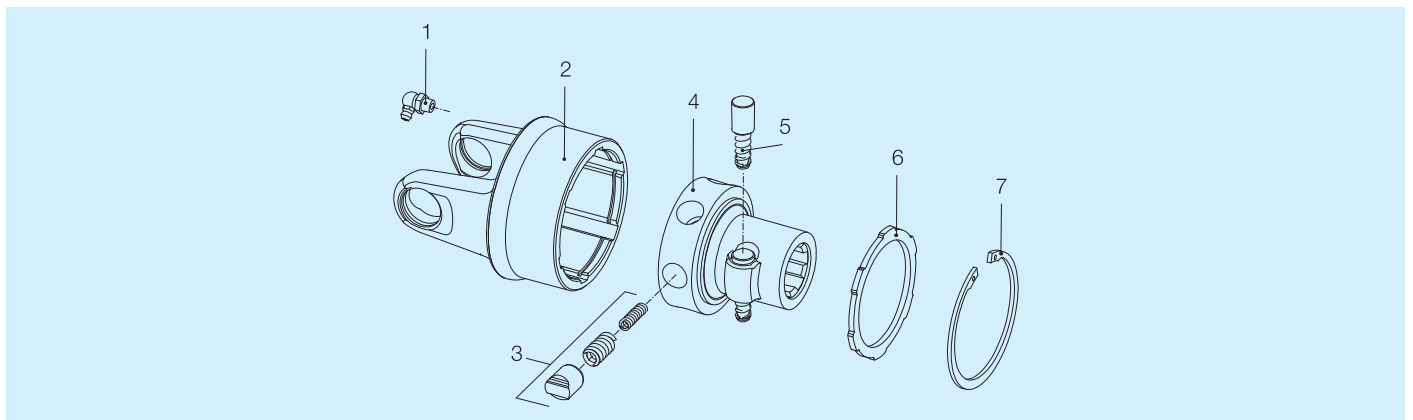


Ref.	Size	Spare parts code	Description	Technical data
1		348014000R20	Grease fitting	
2	G3-G4	422044020R	Outer housing + yoke	
	G5	422054020R		
	G7	422064020R		
3		421340001R06	Ratchet + spring kit	
4		2270R0302R	Hub	1 3/8" Z6
5		240000033R02	Locking plate	
6		338005000R20	Snap ring	82 x 2.5 DIN 472/1
7		435000321R	Ball collar kit	

For primary drivelines, always install any torque limiter or overrunning clutch on the implement side. All rotating parts must be guarded. Ratchet torque limiters should be used only on drivelines operating at speeds less than 700 min<sup>-1</sup>.



Size	Torque Nm	B (mm)				Spare parts code			
		S 1 3/8" Z6	S 1 3/8" Z21	S 1 3/4" Z6	S 1 3/4" Z20	1 3/8" Z6	1 3/8" Z21	1 3/4" Z6	1 3/4" Z20
G1	300	94	---	---	---	60A1B1903R	---	---	---

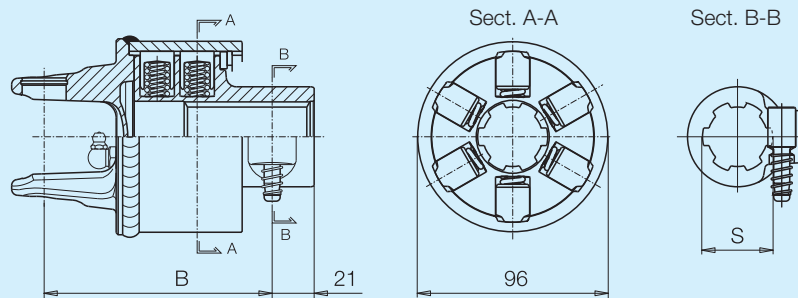


Ref.	Size	Spare parts code	Description	Technical data
1		348014000R20	Grease fitting	
2	G1	422B0S301R	Outer housing + yoke	
3		421340007R06	Ratchet + spring kit	
4		513340302R	Hub with push-pin	1 3/8" Z6
5		403000001R10	Push-pin kit	
6		240000294R02	Locking plate	
7		338005000R20	Snap ring	82 x 2.5 DIN 472/1

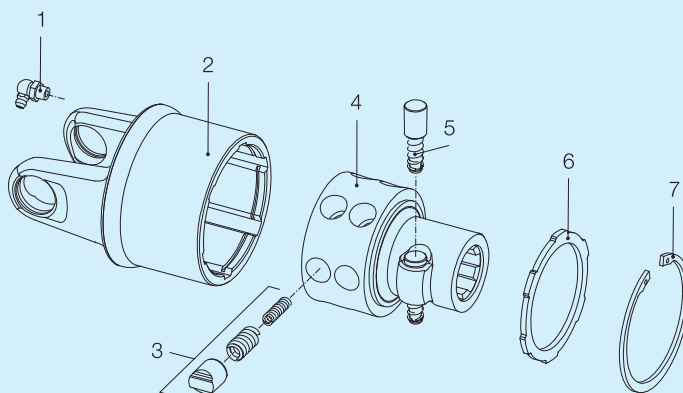
For primary drivelines, always install any torque limiter or overrunning clutch on the implement side. All rotating parts must be guarded. Ratchet torque limiters should be used only on drivelines operating at speeds less than 700 min<sup>-1</sup>.

## LN2

Symmetrical

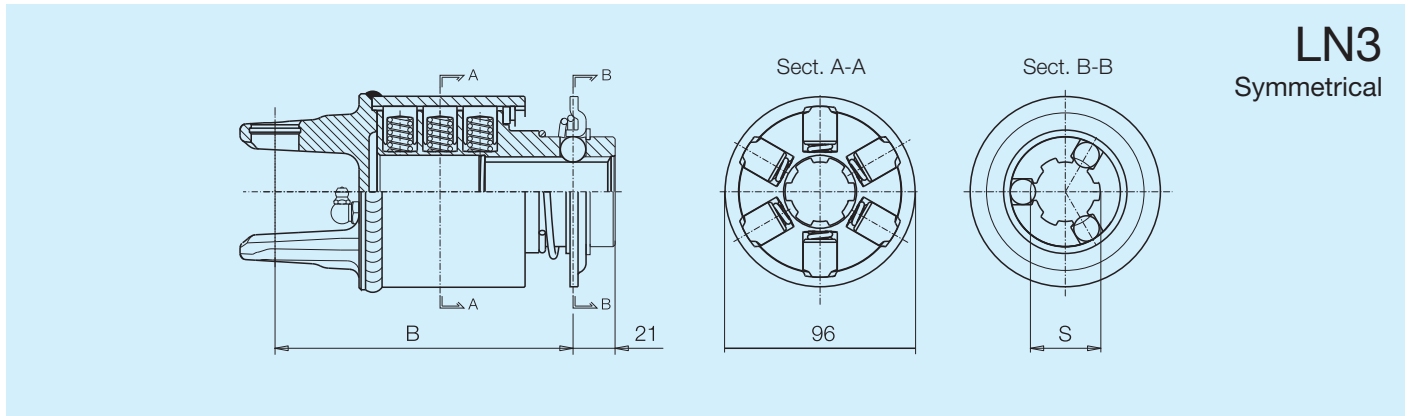


Size	Torque Nm	B (mm)				Spare parts code			
		S 1 3/8" Z6	S 1 3/8" Z21	S 1 3/4" Z6	S 1 3/4" Z20	1 3/8" Z6	1 3/8" Z21	1 3/4" Z6	1 3/4" Z20
G1	460	114	---	---	---	60A2B2603R	---	---	---
	600					60A2B3203R	---	---	---
G2	600	120	---	---	---	60A2C3203R	---	---	---

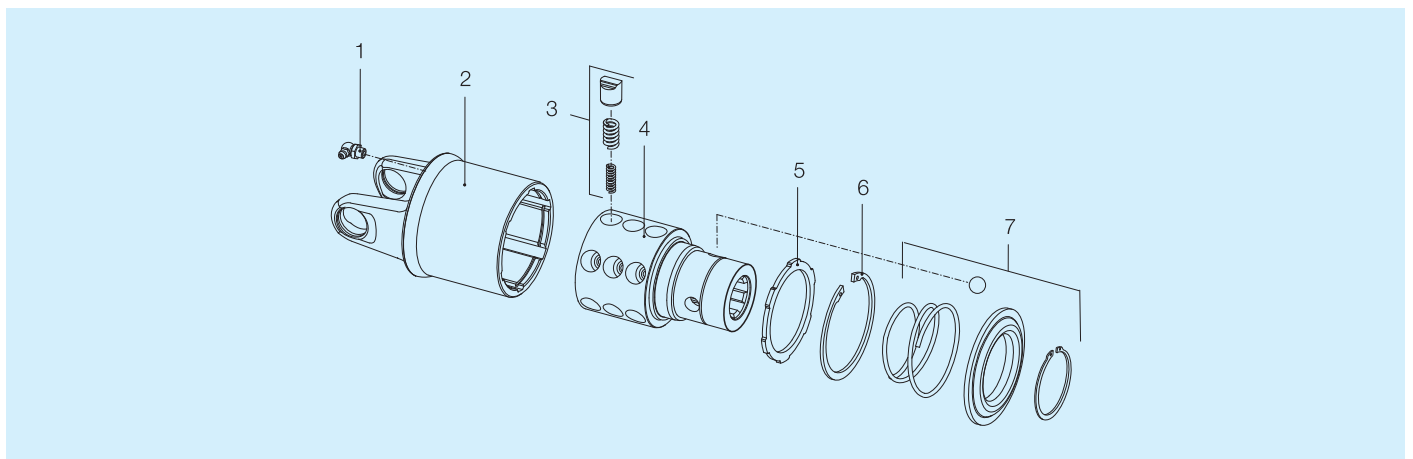


Ref.	Size	Spare parts code	Description	Technical data
1		348014000R20	Grease fitting	
2	G1	422B0T301R	Outer housing + yoke	
	G2	422C0T301R		
3		421340007R06	Ratchet + spring kit	
4		513350302R	Hub with push-pin	1 3/8" Z6
5		403000001R10	Push-pin kit	
6		240000294R02	Locking plate	
7		338005000R20	Snap ring	82 x 2.5 DIN 472/1

For primary drivelines, always install any torque limiter or overrunning clutch on the implement side. All rotating parts must be guarded. Ratchet torque limiters should be used only on drivelines operating at speeds less than 700 min<sup>-1</sup>.



Size	Torque Nm	B (mm)				Spare parts code			
		S 1 3/8" Z6	S 1 3/8" Z21	S 1 3/4" Z6	S 1 3/4" Z20	1 3/8" Z6	1 3/8" Z21	1 3/4" Z6	1 3/4" Z20
G2	800	149	---	---	---	60B3C3903R	---	---	---
	900					60B3C4103R	---	---	---

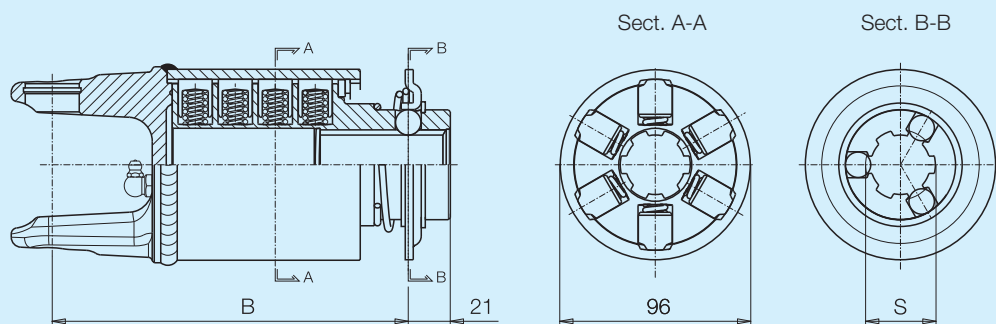


Ref.	Size	Spare parts code	Description	Technical data
1		348014000R20	Grease fitting	
2	G2	422C0U301R	Outer housing + yoke	
3		421340007R06	Ratchet + spring kit	
4		2270Q0303R	Hub	1 3/8" Z6
5		240000294R02	Locking plate	
6		338005000R20	Snap ring	82 x 2.5 DIN 472/1
7		435000321R	Ball collar kit	

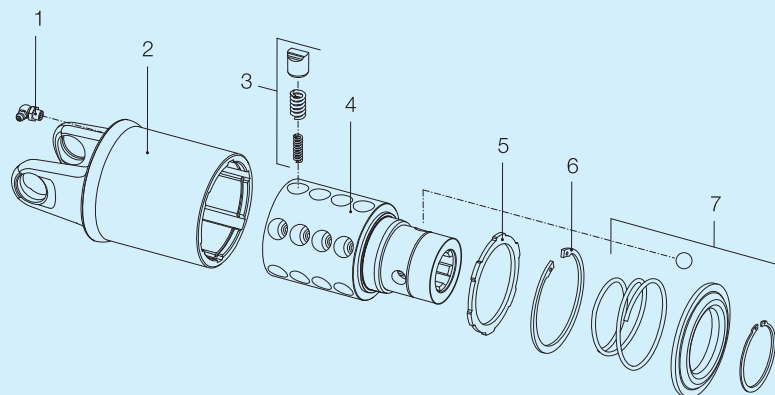
For primary drivelines, always install any torque limiter or overrunning clutch on the implement side. All rotating parts must be guarded. Ratchet torque limiters should be used only on drivelines operating at speeds less than 700 min<sup>-1</sup>.

## LN4

Symmetrical



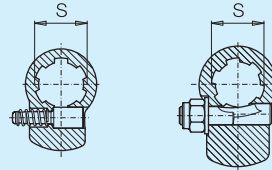
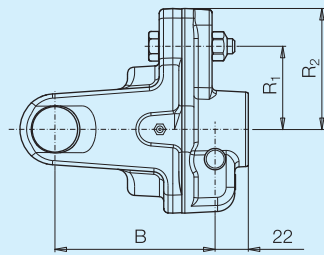
Size	Torque Nm	B (mm)				Spare parts code			
		S 1 3/8" Z6	S 1 3/8" Z21	S 1 3/4" Z6	S 1 3/4" Z20	1 3/8" Z6	1 3/8" Z21	1 3/4" Z6	1 3/4" Z20
G3-G4	1000	178	---	---	---	60B4E4403R	---	---	---
	1200					60B4E4803R	---	---	---
G5	1200	181	---	---	---	60B4G4803R	---	---	---



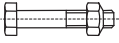
Ref.	Size	Spare parts code	Description	Technical data
1		348014000R20	Grease fitting	
2	G3-G4	422E0V301R	Outer housing + yoke	
	G5	422G0V301R		
3		421340007R06	Ratchet + spring kit	
4		2270R0302R	Hub	1 3/8" Z6
5		240000294R02	Locking plate	
6		338005000R20	Snap ring	82 x 2.5 DIN 472/1
7		435000321R	Ball collar kit	

For primary drivelines, always install any torque limiter or overrunning clutch on the implement side. All rotating parts must be guarded. Ratchet torque limiters should be used only on drivelines operating at speeds less than 700 min<sup>-1</sup>.

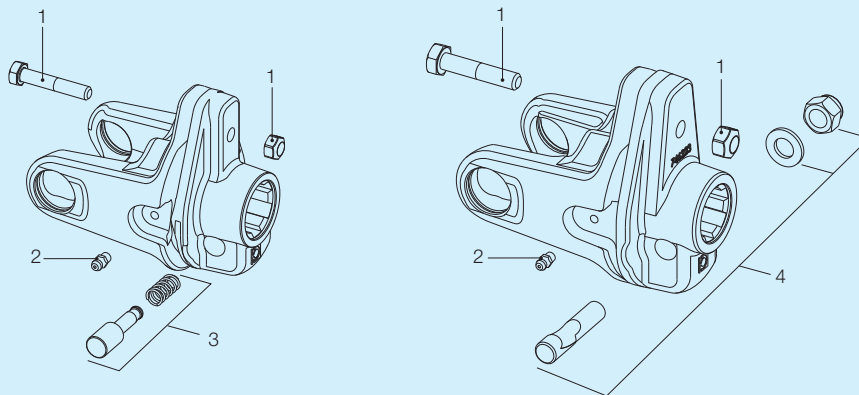
LB




Push-pin for sizes G1, G2, G3, G4    Taper pin for sizes G5, G7, G8

Size	Torque Nm	B mm	R <sub>1</sub> mm	R <sub>2</sub> mm	Spare parts code				
					1 3/8" Z6	1 3/8" Z21	1 3/4" Z6	1 3/4" Z20	
G1	650	80	37	68	6060B0304R	6060B3703R	---	---	432000002R05
	700		40		6060B0302R	6060B3702R	---	---	432000002R05
G2	950	87	55	68	6060C0302R	6060C3702R	---	---	432000002R05
	1050		60		6060C0308R	6060C3704R	---	---	432000002R05
G3	1400	93	45	68	6060E0303R	6060E3704R	---	---	432000047R05
	1700		55		6060E0302R	6060E3702R	---	---	432000047R05
G4	1400	93	45	68	6060E0303R	6060E3704R	---	---	432000047R05
	1700		55		6060E0302R	6060E3702R	---	---	432000047R05
	2000		43		6060E0309R	6060E3711R	---	---	432000053R05
G5	2100	106	67	80	6060G0319R	6060G3710R	6060G0408R	6060G3803R	432000047R05
	2400		50		6060G0304R	6060G3704R	6060G0404R	6060G3804R	432000053R05
G7	2400	112	50	80	6060H0306R	6060H3707R	6060H0404R	6060H3807R	432000053R05
	2700		55		6060H0302R	6060H3702R	6060H0402R	6060H3802R	432000053R05
G8	2700	115	55	80	6060L0303R	6060L3703R	6060L0404R	6060L3807R	432000053R05
	3200		66		6060L0305R	6060L3704R	6060L0407R	6060L3808R	432000053R05

The torque setting, assigned according to type and size of telescoping members, must never exceed the maximum torque of the driveline Mmax.

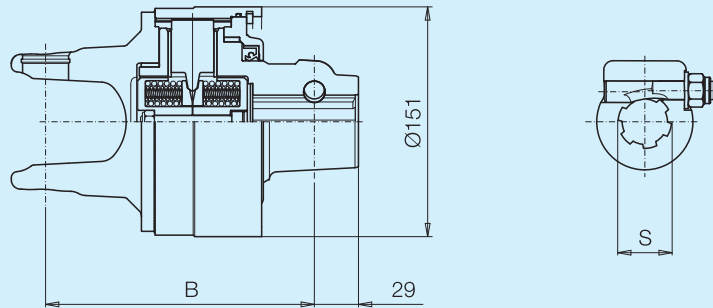


Ref.	Size	Spare parts code	Description	Technical data
1		432000002R05	Bolt	M6x40 Cl. 8.8
		432000047R05		M8x45 Cl. 8.8
		432000053R05		M10x50 Cl. 8.8
2		348017000R20	Grease fitting	
3		403000001R10	Push-pin kit	1 3/8" Z6 - Z21
4		408000048R02	Taper pin	1 3/8" Z6 - Z21
		408000052R02		1 3/4" Z6 - Z20

 For primary drivelines, always install any torque limiter or overrunning clutch on the implement side. All rotating parts must be guarded.



## LR23



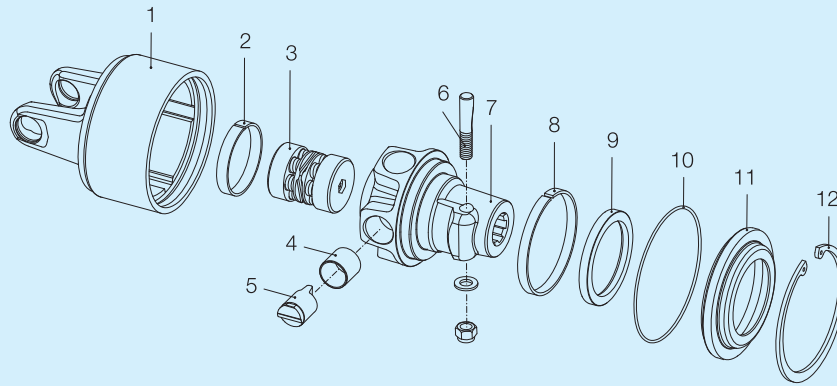
Size	Torque Nm	B (mm)				Spare parts codes for use at 540 min <sup>-1</sup>			
		S 1 3/8" Z6	S 1 3/8" Z21	S 1 3/4" Z6	S 1 3/4" Z20	1 3/8" Z6	1 3/8" Z21	1 3/4" Z6	1 3/4" Z20
G4	1200	172	172	172	172	6WE148003R	6WE148037R	6WE148004R	6WE148038R
	1500					6WE154003R	6WE154037R	6WE154004R	6WE154038R
	1700					6WE157003R	6WE157037R	6WE157004R	6WE157038R
	1900					6WE159003R	6WE159037R	6WE159004R	6WE159038R
						6WE159902R (SX)	---	---	---
G5	1500	177	177	177	177	6WG154003R	6WG154037R	6WG154004R	6WG154038R
	1700					6WG157003R	6WG157037R	6WG157004R	6WG157038R
	1900					6WG159003R	6WG159037R	6WG159004R	6WG159038R
	2100					6WG161003R	6WG161037R	6WG161004R	6WG161038R
						6WH161003R	6WH161037R	6WH161004R	6WH161038R
G7	2100	184	184	184	184	6WH161003R	6WH161037R	6WH161004R	6WH161038R

The codes in columns with heading (SX) are for counter-clockwise rotation. All other codes are for clockwise rotation.

Size	Torque Nm	B (mm)				Spare parts codes for LR23 with improved re-engagement			
		S 1 3/8" Z6	S 1 3/8" Z21	S 1 3/4" Z6	S 1 3/4" Z20	1 3/8" Z6	1 3/8" Z21	1 3/4" Z6	1 3/4" Z20
G4	1200	172	172	172	172	6WEA48003R	6WEA48037R	6WEA48004R	6WEA48038R
	1500					6WEA54003R	6WEA54037R	6WEA54004R	6WEA54038R
	1700					6WEA57003R	6WEA57037R	6WEA57004R	6WEA57038R
G5	1500	177	177	177	177	6WGA54003R	6WGA54037R	6WGA54004R	6WGA54038R
	1700					6WGA57003R	6WGA57037R	6WGA57004R	6WGA57038R
	1900					6WGA59003R	6WGA59037R	6WGA59004R	6WGA59038R
	2100					6WGA61003R	6WGA61037R	6WGA61004R	6WGA61038R
						6WHA61003R	6WHA61037R	6WHA61004R	6WHA61038R
G7	2100	184	184	184	184	6WHA61003R	6WHA61037R	6WHA61004R	6WHA61038R


For primary drivelines, always install any torque limiter or overrunning clutch on the implement side. All rotating parts must be guarded.

LR23

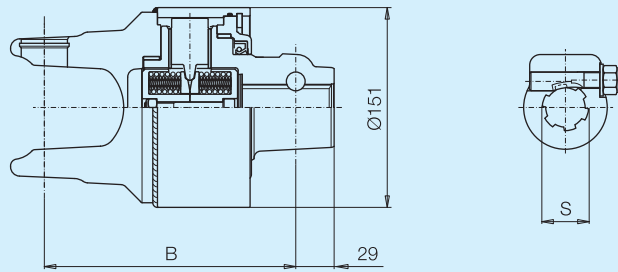


Ref.	Size	Spare parts codes for use at 540 min <sup>-1</sup>	Codes with improved re-engagement	Description	Technical data
1	G4	4310E1151R	4310E1152R	Outer housing + yoke	
	G5	4310G1151R	4310G1158R		
	G7	431061151R	4310H1151R		
2		240000205R02	240000205R02	Bushing	
3		421154801R	421154801R	Spring pack*	1200 Nm
		421155401R	421155401R		1500 Nm
		421155701R	421155701R		1700 Nm
		421155901R	421155901R		1900 Nm
		421156101R	421156101R		2100 Nm
4		258000100R05	258000100R05	Sleeve	
5		250000101R05	250000101R05	Cam	
6		408000047R02	408000047R02	Taper pin	1 3/8" Z6 - Z21
		408000052R02	408000052R02		1 3/4" Z6 - Z20
7		515150301R	515150301R	Hub with taper pin and bushing	1 3/8" Z6
		515153701R	515153701R		1 3/8" Z21
		515150401R	515150401R		1 3/4" Z6
		515153801R	515153801R		1 3/4" Z20
8		240000201R02	240000201R02	Bushing	
9		355006080R02	355006080R02	Sealing ring	80 x 100 x 10 mm
10		358000006R02	358000006R02	O-ring	139 x 2.6 mm
11		240000202R02	240000202R02	Locking plate	
12		338000138R20	338000138R20	Snap ring	138 x 4 DIN 472/1

\* Other kits are available: 1400 Nm - 1800 Nm - 2000 Nm - 2200 Nm.  
The codes should be requested from the commercial office.

 For primary drivelines, always install any torque limiter or overrunning clutch on the implement side.  
All rotating parts must be guarded.

## LR24



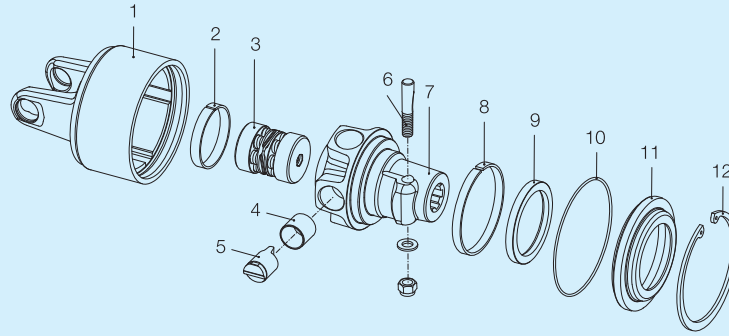
Size	Torque Nm	B (mm)				Spare parts codes for use at 540 min <sup>-1</sup>			
		S 1 3/8" Z6	S 1 3/8" Z21	S 1 3/4" Z6	S 1 3/4" Z20	1 3/8" Z6	1 3/8" Z21	1 3/4" Z6	1 3/4" Z20
G7	2600	184	184	184	184	6WH266003R	6WH266037R	6WH266004R	6WH266038R
	3000								
G8	2500	184	184	184	184	6WL265003R	6WL265037R	6WL265004R	6WL265038R
	3000					6WL270003R	6WL270037R	6WL270004R	6WL270038R

Size	Torque Nm	B (mm)				Spare parts codes for LR24 with improved re-engagement			
		S 1 3/8" Z6	S 1 3/8" Z21	S 1 3/4" Z6	S 1 3/4" Z20	1 3/8" Z6	1 3/8" Z21	1 3/4" Z6	1 3/4" Z20
G7	2300	184	184	184	184			6WHE63901R (SX)	
	2600					6WHE66003R	6WHE66037R	6WHE66004R	6WHE66038R
G8	2500	184	184	184	184	6WLE65003R	6WLE65037R	6WLE65004R	6WLE65038R
	3000								6WLE65904R (SX)
						6WLE70003R	6WLE70037R	6WLE70004R	6WLE70038R

The codes in columns with heading **(SX)** are for counter-clockwise rotation. All other codes are for clockwise rotation.


For primary drivelines, always install any torque limiter or overrunning clutch on the implement side. All rotating parts must be guarded.

LR24



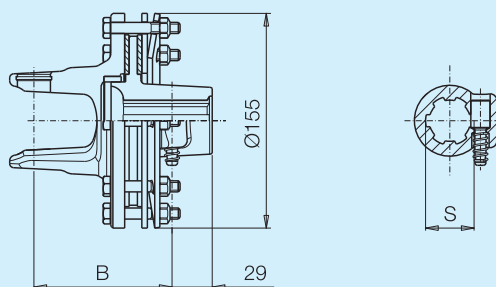
Ref.	Size	Spare parts codes for use at 540 min <sup>-1</sup>	Codes with improved re-engagement	Description	Technical data
	G7	431062152R	4310HE151R	Outer housing	
	G8	4310L2152R	4310LE151R		
2		240000205R02	240000205R02	Bushing	
3		421166502R	421166505R	Spring kit*	2500 Nm
		421166601R	421166605R		2600 Nm
		421167001R	421167005R		3000 Nm
4		258000100R05	258000100R05	Sleeve	
5		250000108R05	250000101R05	Cam	
6		408000047R02	408000047R02	Taper pin	1 3/8" Z6 - Z21
		408000052R02	408000052R02		1 3/4" Z6 - Z20
7		515160301R	515160305R	Hub with taper pin and bushings	1 3/8" Z6
		515163701R	515163705R		1 3/8" Z21
		515160401R	515160405R		1 3/4" Z6
		515163801R	515163805R		1 3/4" Z20
8		240000201R02	240000201R02	Bushing	
9		355006080R02	355006080R02	Sealing ring	80 x 100 x 10 mm
10		358000006R02	358000006R02	O-ring	139 x 2.6 mm
11		240000202R02	240000202R02	Locking plate	
12		338000138R20	338000138R20	Snap ring	138 x 4 DIN 472/1

\*Other kits are available for use at 540 min<sup>-1</sup>: 1700 Nm - 1900 Nm - 2000 Nm - 2100 Nm - 2300 Nm.  
The codes should be requested from the commercial office.

 For primary drivelines, always install any torque limiter or overrunning clutch on the implement side.  
All rotating parts must be guarded.

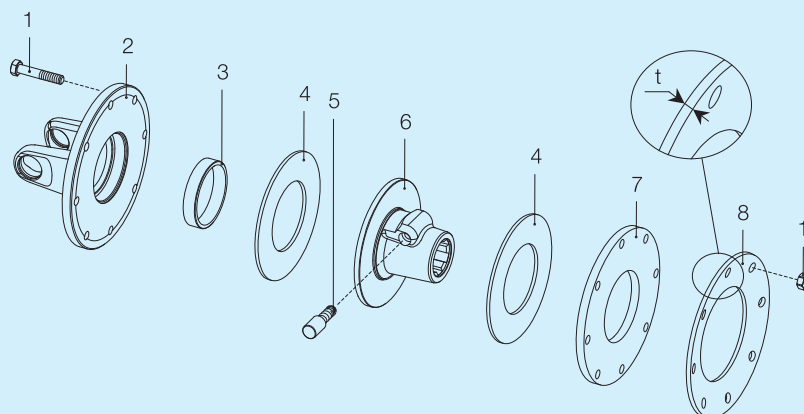
## FV22

Adjustable setting



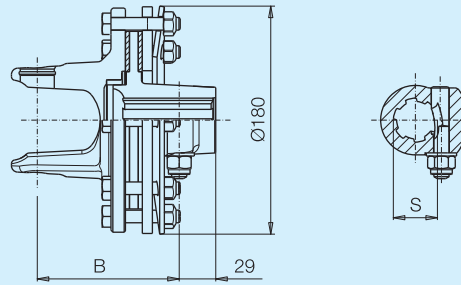
Size	Torque Nm	B (mm)				Spare parts code			
		S 1 3/8" Z6	S 1 3/8" Z21	S 1 3/4" Z6	S 1 3/4" Z20	1 3/8" Z6	1 3/8" Z21	1 3/4" Z6	1 3/4" Z20
G1	*400	92	92	---	---	661B24103R	661B24137R	---	---
	500					661B28103R	661B28137R	---	---
G2	*500	100	100	---	---	661C28103R	661C28137R	---	---
	600					661C32103R	661C32137R	---	---
G3	*600	101	101	---	---	661E32103R	661E32137R	---	---
	800					661E39103R	661E39137R	---	---
G4	800	101	101	---	---	661E39103R	661E39137R	---	---

\* Maximum recommended settings for 1000 min<sup>-1</sup> velocity.



Ref.	Size	Spare parts code	Description	Technical data
1		432000003R08	Bolt	M8 x 50 mm
2	G1	2530B8503R	Flange yoke	
	G2	2530C8503R		
	G3-G4	2530E8503R		
3		258005320R02	Bushing	
4		247006151R08	Friction lining	D = 124 ; d = 67 mm
5		403000001R10	Push-pin kit	1 3/8" Z6 - Z21
6		513850307R	Hub with push-pin	1 3/8" Z6
		513853707R		1 3/8" Z21
7		2481A0001R02	Pressure plate	Thickness = 4 mm
8		367005850R	Belleville spring	t = 3.75 mm

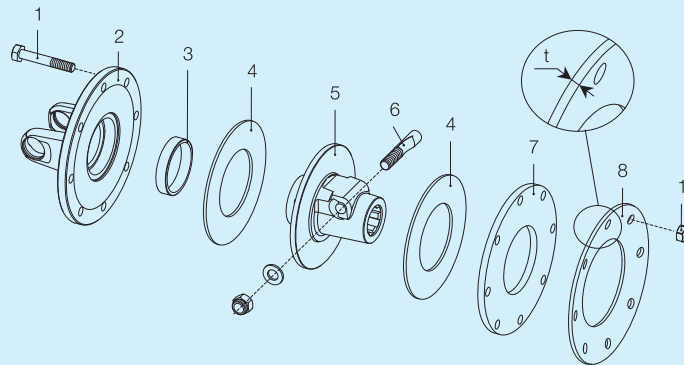
For primary drivelines, always install any torque limiter or overrunning clutch on the implement side.  
All rotating parts must be guarded.



**FV32**  
Adjustable setting

Size	Torque Nm	B (mm)				Spare parts code			
		S 1 3/8" Z6	S 1 3/8" Z21	S 1 3/4" Z6	S 1 3/4" Z20	1 3/8" Z6	1 3/8" Z21	1 3/4" Z6	1 3/4" Z20
G4	*900	113	113	---	---	661E41203R	661E41237R	---	---
	1000					661E44203R	661E44237R	---	---
G5	900	117	117	---	---	661G41203R	661G41237R	---	---
	1000					661G44203R	661G44237R	---	---
	*1100					661G46203R	661G46237R	---	---
G7	900	124	124	---	---	661H41203R	661H41237R	---	---
	1000					661H44203R	661H44237R	---	---
	*1100					661H46203R	661H46237R	---	---

\* Maximum recommended settings for 1000 min<sup>-1</sup> velocity.

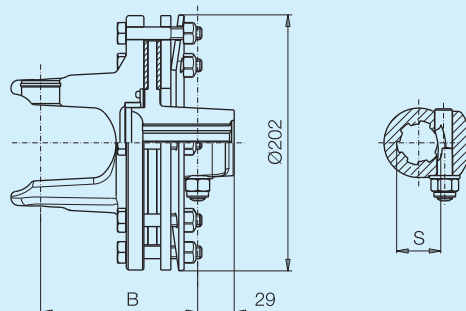


Ref.	Size	Spare parts code	Description	Technical data
1		432000054R08	Bolt	M10 x 55 mm
2	G4	253048602R	Flange yoke	
	G5	253058901R		
	G6	253068903R		
3		258005320R02	Bushing	
4		247006251R08	Friction lining	D = 141 ; d = 77 mm
5		515860305R	Hub with push pin	1 3/8" Z6
		515863705R		1 3/8" Z21
6		408000047R02	Taper pin	1 3/8" Z6 - Z21
7		248860007R02	Pressure plate	Thickness = 8 mm
8		367008860R	Belleville spring	t = 3.75 mm

For primary drivelines, always install any torque limiter or overrunning clutch on the implement side. All rotating parts must be guarded.

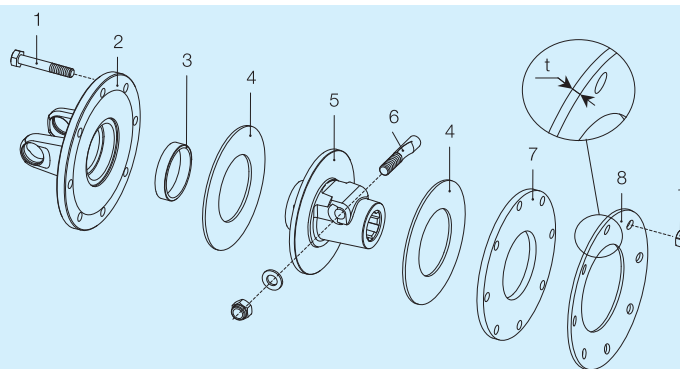
## FV42

Adjustable setting



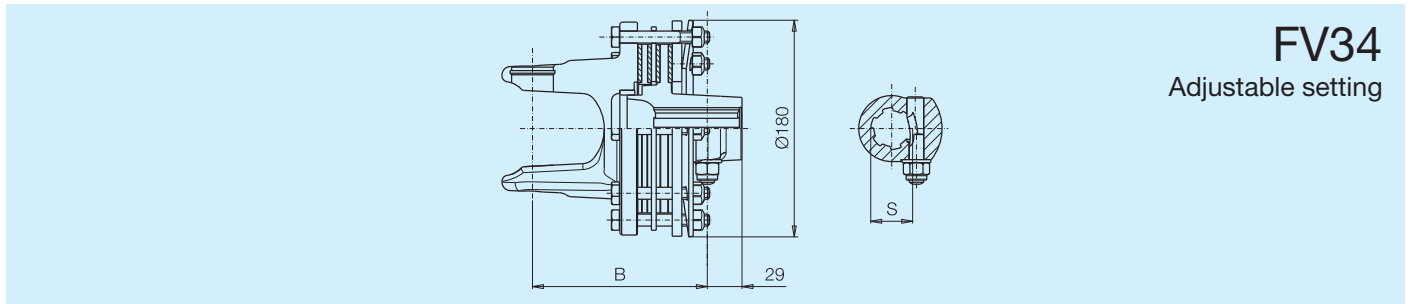
Size	Torque Nm	B (mm)				Spare parts code			
		S 1 3/8" Z6	S 1 3/8" Z21	S 1 3/4" Z6	S 1 3/4" Z20	1 3/8" Z6	1 3/8" Z21	1 3/4" Z6	1 3/4" Z20
G5	1200	117	117	122	122	661G48403R	661G48437R	661G48404R	661G48438R
G7	*1200	125	125	130	130	661H48403R	661H48437R	661H48404R	661H48438R
	1350					661H51403R	661H51437R	661H51404R	661H51438R
	1450					661H53403R	661H53437R	661H53404R	661H53438R
G8	1350	131	131	136	136	661L51403R	661L51437R	661L51404R	661L51438R
	*1450					661L53403R	661L53437R	661L53404R	661L53438R
	1600					661L56403R	661L56437R	661L56404R	661L56438R
	1800					661L58403R	661L58437R	661L58404R	661L58438R

\* Maximum recommended settings for 1000 min<sup>-1</sup> velocity.



Ref.	Size	Spare parts code	Description	Technical data
1		432000008R08	Bolt	M10 x 60 mm
2	G5	253058701R	Flange yoke	
	G7	253069001R		
	G8	253078702R		
3		258005320R02	Bushing	
4		247006351R08	Friction lining	D = 162 ; d = 85 mm
5		515870305R	Hub with push pin	1 3/8" Z6
		515873705R		1 3/8" Z21
		515870405R		1 3/4" Z6
		515873805R		1 3/4" Z20
6		408000047R02	Taper pin	1 3/8" Z6 - Z21
		408000046R02		1 3/4" Z6 - Z20
7		248870007R	Pressure plate	Thickness = 8 mm
8		367009870R	Belleville spring	t = 4.25 mm

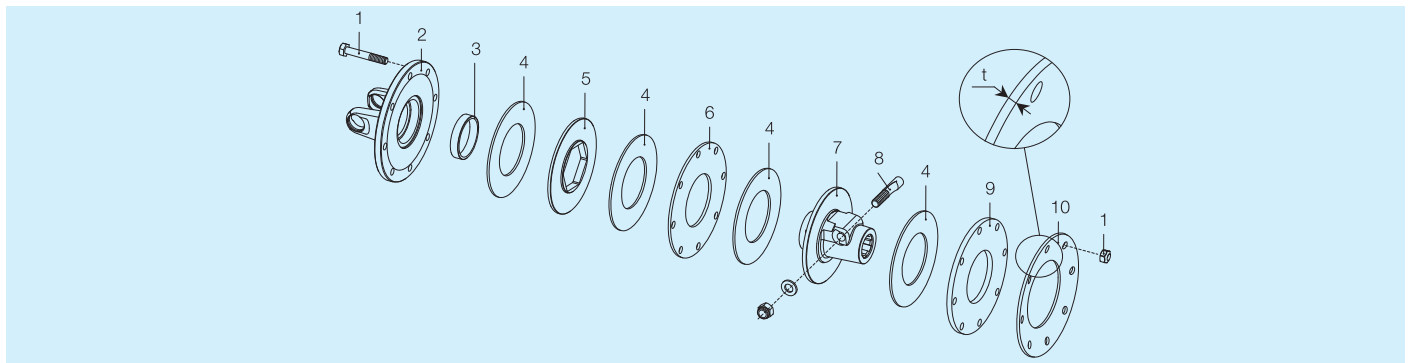
For primary drivelines, always install any torque limiter or overrunning clutch on the implement side.  
All rotating parts must be guarded.



**FV34**  
Adjustable setting

Size	Torque Nm	B (mm)				Spare parts code			
		S 1 3/8" Z6	S 1 3/8" Z21	S 1 3/4" Z6	S 1 3/4" Z20	1 3/8" Z6	1 3/8" Z21	1 3/4" Z6	1 3/4" Z20
G5	1200	133	133	138	138	661G48303R	661G48337R	661G48304R	661G48338R
	*1200	140	140	145	145	661H48303R	661H48337R	661H48304R	661H48338R
1350	661H51303R					661H51337R	661H51304R	661H51338R	
1450	661H53303R					661H53337R	661H53304R	661H53338R	
G8	1350	146	146	151	151	661L51303R	661L51337R	661L51304R	661L51338R
	*1450					661L53303R	661L53337R	661L53304R	661L53338R
	1600					661L56303R	661L56337R	661L56304R	661L56338R
	1800					661L58303R	661L58337R	661L58304R	661L58338R

\* Maximum recommended settings for 1000 min<sup>-1</sup> velocity.



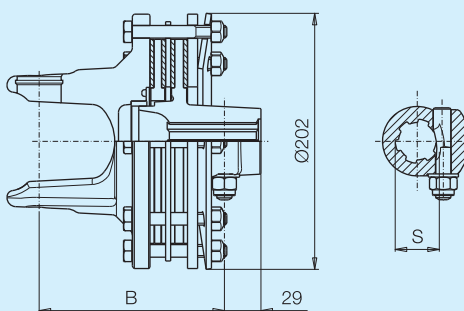
Ref.	Size	Spare parts code	Description	Technical data
1		432000114R08	Bolt	M10 x 75 mm
2	G5	253058901R	Flange yoke	
	G7	253068903R		
	G8	253078601R		
3		258005320R02	Bushing	
4		247006251R08	Friction lining	D = 141 ; d = 77 mm
5		248727702R02	Driving plate	
6		248860001R02	Inner plate	Thickness = 4 mm
7		515890305R	Hub with push pin	1 3/8" Z6
		515893705R		1 3/8" Z21
		515890405R		1 3/4" Z6
		515893805R		1 3/4" Z20
8		408000047R02	Taper pin	1 3/8" Z6 - Z21
		408000049R02		1 3/4" Z6 - Z20
9		248860007R02	Pressure plate	Thickness = 8 mm
10		367008860R	Belleville spring	t = 3.75 mm

For primary drivelines, always install any torque limiter or overrunning clutch on the implement side. All rotating parts must be guarded.



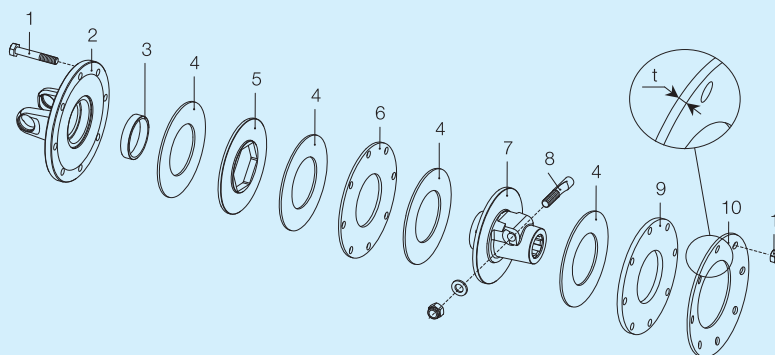
## FV44

Adjustable setting



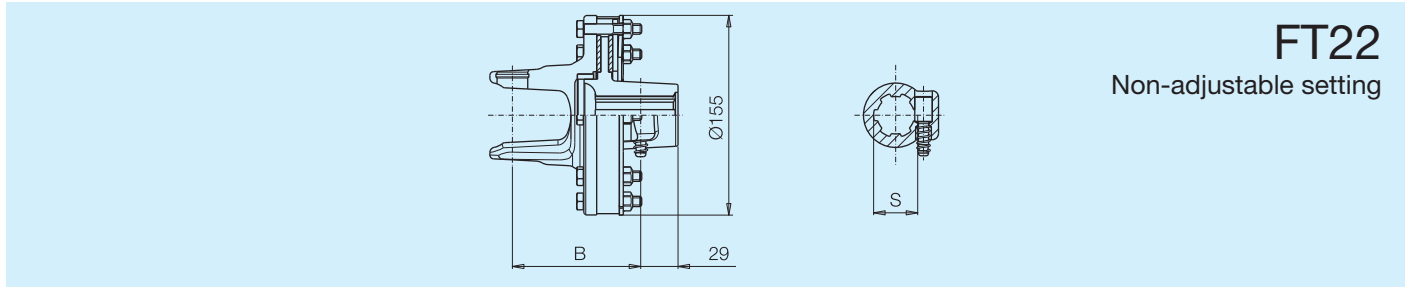
Size	Torque Nm	B (mm)				Spare parts code			
		S 1 3/8" Z6	S 1 3/8" Z21	S 1 3/4" Z6	S 1 3/4" Z20	1 3/8" Z6	1 3/8" Z21	1 3/4" Z6	1 3/4" Z20
G8	1800	147	147	152	152	661L58503R	661L58537R	661L58504R	661L58538R

\* Maximum recommended settings for 1000 min<sup>-1</sup> velocity.



Ref.	Size	Spare parts code	Description	Technical data
1		432000114R08	Bolt	M10 x 75 mm
2	G8	253078702R	Flange yoke	
3		258005320R02	Bushing	
4		247006351R08	Friction lining	D = 162 ; d = 85 mm
5		248737702R02	Driving plate	
6		248870011R02	Inner plate	Thickness = 4 mm
7		515900305R	Hub with push pin	1 3/8" Z6
		515903705R		1 3/8" Z21
		515900405R		1 3/4" Z6
		515903805R		1 3/4" Z20
8		408000047R02	Taper pin	1 3/8" Z6 - Z21
		408000046R02		1 3/4" Z6 - Z20
9		248870007R	Pressure plate	Thickness = 8 mm
10		367009870R	Belleville spring	t = 4.25 mm

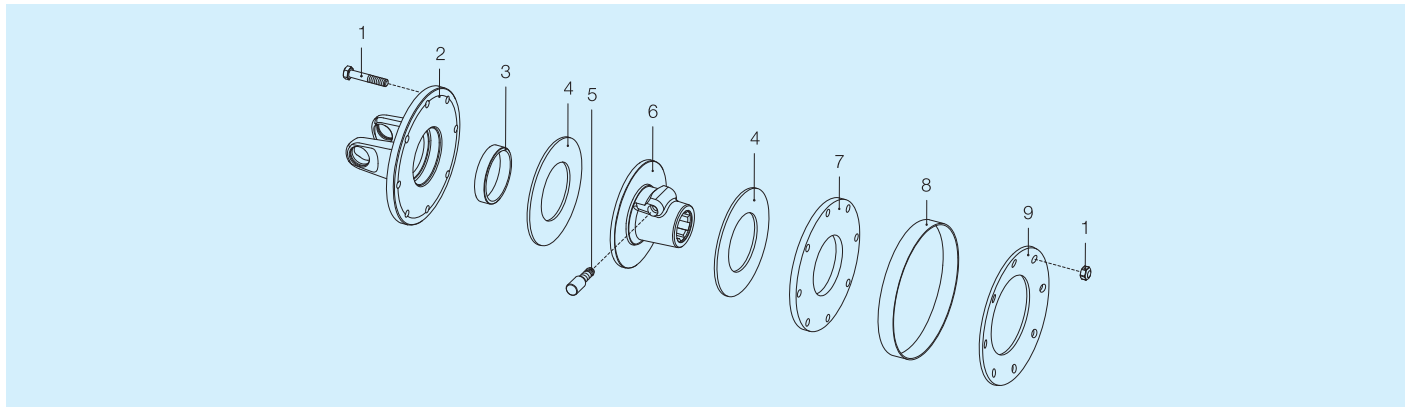
For primary drivelines, always install any torque limiter or overrunning clutch on the implement side.  
All rotating parts must be guarded.



**FT22**  
Non-adjustable setting

Size	Torque Nm	B (mm)				Spare parts code			
		S 1 3/8" Z6	S 1 3/8" Z21	S 1 3/4" Z6	S 1 3/4" Z20	1 3/8" Z6	1 3/8" Z21	1 3/4" Z6	1 3/4" Z20
G1	*400	92	92	---	---	663B24103R	663B24137R	---	---
	500					663B28103R	663B28137R	---	---
G2	*500	100	100	---	---	663C28103R	663C28137R	---	---
	600					663C32103R	663C32137R	---	---
G3	*600	101	101	---	---	663E32103R	663E32137R	---	---
	800					663E39103R	663E39137R	---	---
G4	800	101	101	---	---	663E39103R	663E39137R	---	---

\* Maximum recommended settings for 1000 min<sup>-1</sup> velocity.

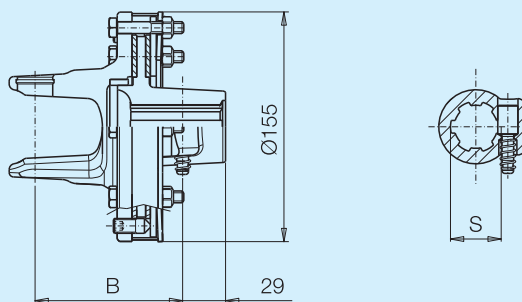


Ref.	Size	Spare parts code	Description	Technical data
1		432000047R08	Bolt	M8 x 75 mm
2	G1	2530B8503R	Flange yoke	
	G2	2530C8503R		
	G3-G4	2530E8503R		
3		258005320R02	Bushing	
4		247006151R08	Friction lining	D = 124 ; d = 67 mm
5		403000001R10	Push-pin kit	1 3/8" Z6 - Z21
6		513850307R	Hub with push-pin	1 3/8" Z6
		513853707R		1 3/8" Z21
7		2481A0002R02	Pressure plate	Thickness = 4 mm
8		240001059R02	Adjustment band	
9		367FT220A	Belleville spring	400 Nm
		367FT220C		500 Nm
		367FT220D		600 Nm
		367FT220E		800 Nm

For primary drivelines, always install any torque limiter or overrunning clutch on the implement side. All rotating parts must be guarded.

## FT22R

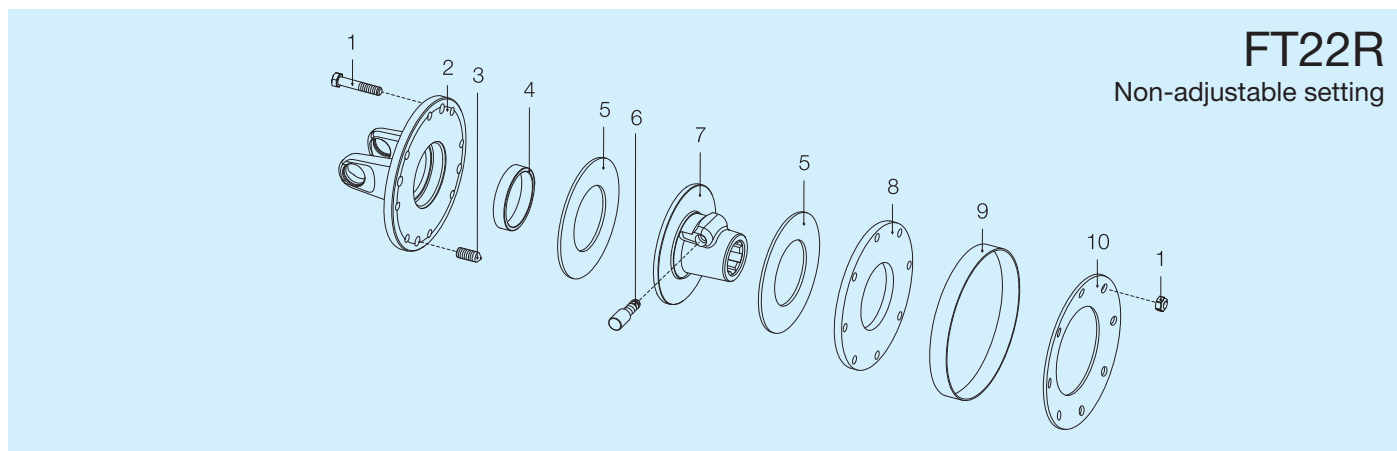
Non-adjustable setting



Size	Torque Nm	B (mm)				Spare parts code			
		S 1 3/8" Z6	S 1 3/8" Z21	S 1 3/4" Z6	S 1 3/4" Z20	1 3/8" Z6	1 3/8" Z21	1 3/4" Z6	1 3/4" Z20
G1	*400	92	92	---	---	663B24A03R	663B24A37R	---	---
	500					663B28A03R	663B28A37R	---	---
G2	*500	100	100	---	---	663C28A03R	663C28A37R	---	---
	600					663C32A03R	663C32A37R	---	---
G3	*600	101	101	---	---	663E32A03R	663E32A37R	---	---
	800					663E39A03R	663E39A37R	---	---
G4	800	101	101	---	---	663E39A03R	663E39A37R	---	---

\* Maximum recommended settings for 1000 min<sup>-1</sup> velocity.

For primary drivelines, always install any torque limiter or overrunning clutch on the implement side.  
All rotating parts must be guarded.



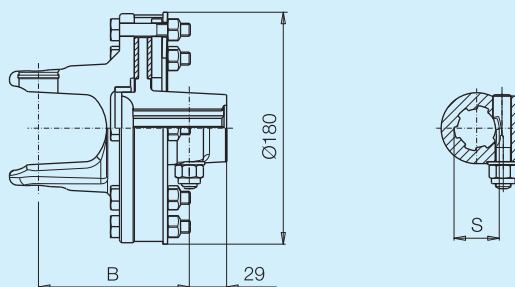
**FT22R**

Non-adjustable setting

Ref.	Size	Spare parts code	Description	Technical data
1		432000047R08	Bolt	M8 x 45 mm
2	G1	2530B8504R	Flange yoke	
	G2	2530C8504R		
	G3-G4	2530E8504R		
3		310001300R04	Special socket head set screw	M10 x 25 mm
4		258005320R02	Bushing	
5		247006151R08	Friction lining	D = 124 ; d = 67 mm
6		403000001R10	Push-pin kit	1 3/8" Z6 - Z21
7		513850307R	Hub with push-pin	1 3/8" Z6
		513853707R		1 3/8" Z21
8		2481A0002R02	Pressure plate	Thickness = 4 mm
9		240001059R02	Adjustment band	
10		367FT220A	Belleville spring	400 Nm
		367FT220C		500 Nm
		367FT220D		600 Nm
		367FT220E		800 Nm

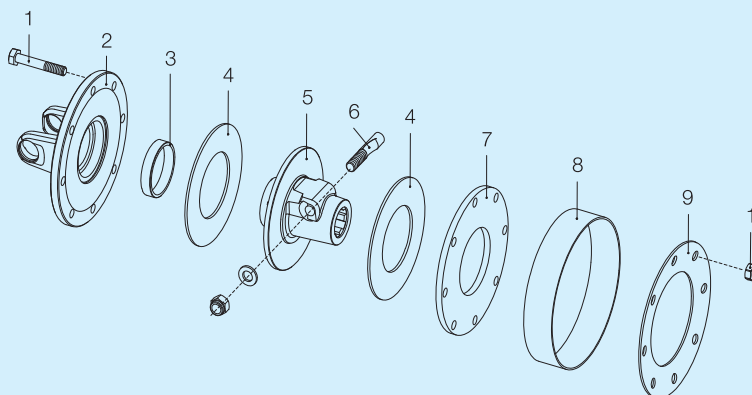
## FT32

Non-adjustable setting



Size	Torque Nm	B (mm)				Spare parts code			
		S 1 3/8" Z6	S 1 3/8" Z21	S 1 3/4" Z6	S 1 3/4" Z20	1 3/8" Z6	1 3/8" Z21	1 3/4" Z6	1 3/4" Z20
G4	*900	113	113	---	---	663E41203R	663E41237R	---	---
	1000					663E44203R	663E44237R	---	---
G5	900	117	117	---	---	663G41203R	663G41237R	---	---
	1000					663G44203R	663G44237R	---	---
	*1100					663G46203R	663G46237R	---	---

\* Maximum recommended settings for 1000 min<sup>-1</sup> velocity.

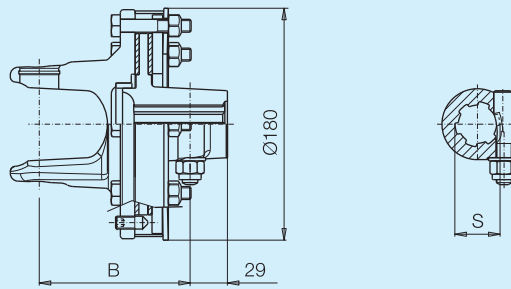


Ref.	Size	Spare parts code	Description	Technical data
1		432000054R08	Bolt	M10 x 85 mm
2	G4	253048602R	Flange yoke	
	G5	253058901R		
3		258005320R02	Bushing	
4		247006251R08	Friction lining	D = 141 ; d = 77 mm
5		515860305R	Hub with taper pin	1 3/8" Z6
		515863705R		1 3/8" Z21
6		408000047R02	Taper pin	1 3/8" Z6 - Z21
7		248860005R02	Pressure plate	Thickness = 8 mm
8		240000213R02	Adjustment band	
9		367FT320A	Belleville spring	900 Nm
		367FT320C		1000 Nm
		367FT320D		1100 Nm

For primary drivelines, always install any torque limiter or overrunning clutch on the implement side.  
All rotating parts must be guarded.

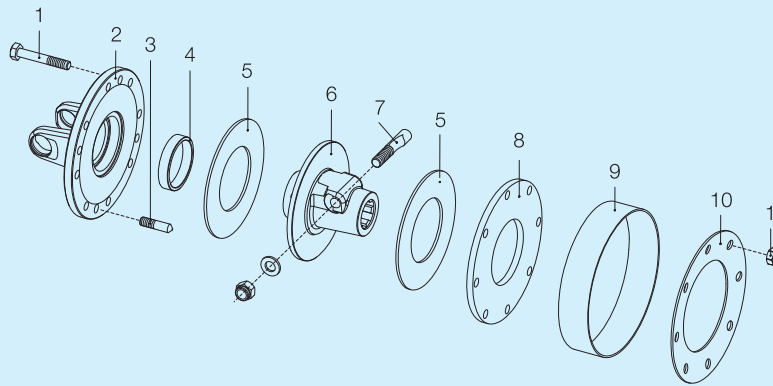
**FT32R**

Non-adjustable setting



Size	Torque Nm	B (mm)				Spare parts code			
		S 1 3/8" Z6	S 1 3/8" Z21	S 1 3/4" Z6	S 1 3/4" Z20	1 3/8" Z6	1 3/8" Z21	1 3/4" Z6	1 3/4" Z20
G4	*900	113	113	---	---	663E41C03R	663E41C37R	---	---
	1000					663E44C03R	663E44C37R	---	---
G5	900	117	117	---	---	663G41C03R	663G41C37R	---	---
	1000					663G44C03R	663G44C37R	---	---
	*1100					663G46C03R	663G46C37R	---	---

\* Maximum recommended settings for 1000 min<sup>-1</sup> velocity.

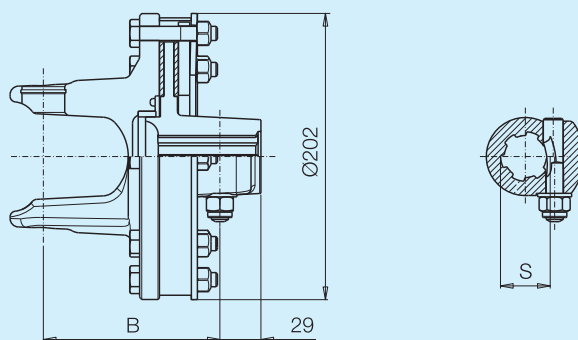


Ref.	Size	Spare parts code	Description	Technical data
1		432000054R08	Bolt	M10 x 55 mm
2	G4	2530E8605R	Flange yoke	
	G5	2530G8605R		
3		310001300R04	Special socket head set screw	M10 x 25 mm
4		258005320R02	Bushing	
5		247006251R08	Friction lining	D = 141 ; d = 77 mm
6		515860305R	Hub with taper pin	1 3/8" Z6
		515863705R		1 3/8" Z21
7		408000047R02	Taper pin	1 3/8" Z6 - Z21
8		248860005R02	Pressure plate	Thickness = 8 mm
9		240000213R02	Adjustment band	
	10	367FT320A	Belleville spring	900 Nm
		367FT320C		1000 Nm
367FT320D			1100 Nm	

For primary drivelines, always install any torque limiter or overrunning clutch on the implement side. All rotating parts must be guarded.

## FT42

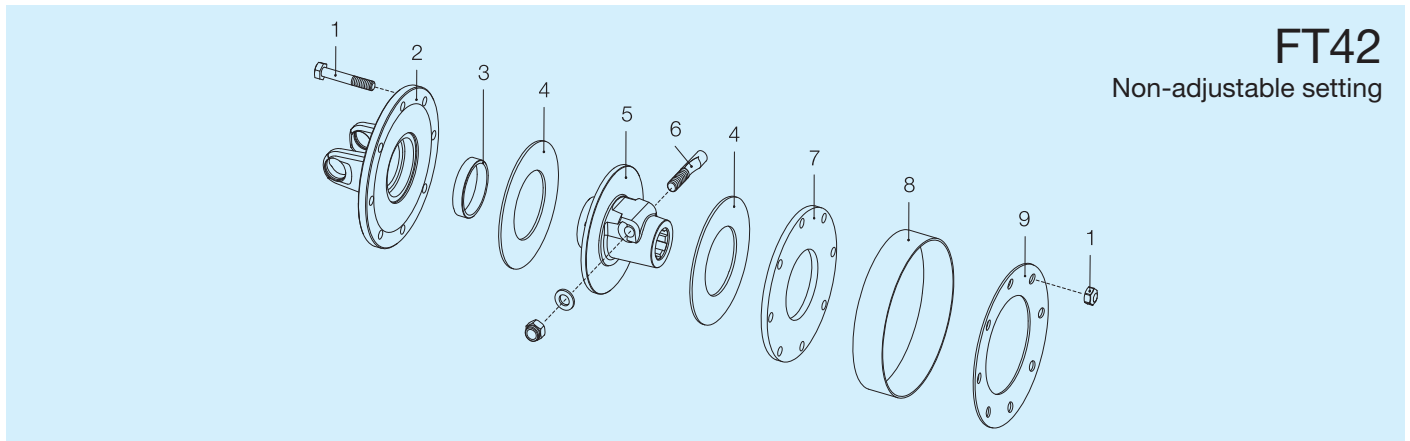
Non-adjustable setting



Size	Torque Nm	B (mm)				Spare parts code			
		S 1 3/8" Z6	S 1 3/8" Z21	S 1 3/4" Z6	S 1 3/4" Z20	1 3/8" Z6	1 3/8" Z21	1 3/4" Z6	1 3/4" Z20
G5	1200	117	117	122	122	663G48403R	663G48437R	663G48404R	663G48438R
	1450	125	125	130	130	663H48403R	663H48437R	663H48404R	663H48438R
G7	*1200	125	125	130	130	663H53403R	663H53437R	663H53404R	663H53438R
	1450					663L53403R	663L53437R	663L53404R	663L53438R
G8	*1450	131	131	136	136	663L58403R	663L58437R	663L58404R	663L58438R
	1800					663L58403R	663L58437R	663L58404R	663L58438R

\* Maximum recommended settings for 1000 min<sup>-1</sup> velocity.


For primary drivelines, always install any torque limiter or overrunning clutch on the implement side.  
All rotating parts must be guarded.



**FT42**

Non-adjustable setting

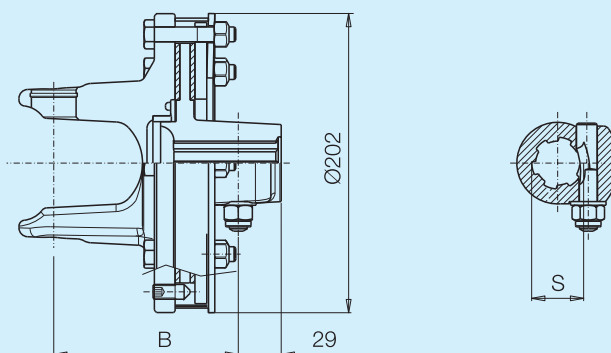
Ref.	Size	Spare parts code	Description	Technical data
1		432000054R08	Bolt	M10 x 55 mm
2	G5	253058701R	Flange yoke	
	G7	253069001R		
	G8	253078702R		
3		258005320R02	Bushing	
4		247006351R08	Friction lining	D = 162 ; d = 85 mm
5		515870305R	Hub with taper pin	1 3/8" Z6
		515873705R		1 3/8" Z21
		515870405R		1 3/4" Z6
		515873805R		1 3/4" Z20
6		408000047R02	Taper pin	1 3/8" Z6 - Z21
		408000046R02		1 3/4" Z6 - Z20
7		248870005R	Pressure plate	Thickness = 8 mm
8		240000214R02	Adjustment band	
9		367FT420A	Belleville spring	1200 Nm
		367FT420C		1450 Nm
		367FT420D		1800 Nm

 For primary drivelines, always install any torque limiter or overrunning clutch on the implement side. All rotating parts must be guarded.



## FT42R

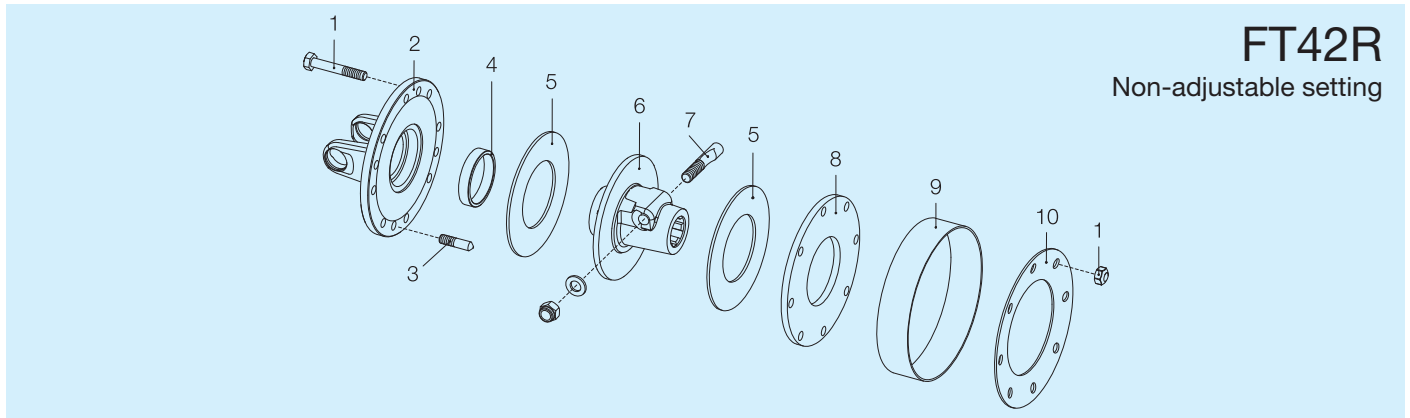
Non-adjustable setting



Size	Torque Nm	B (mm)				Spare parts code			
		S 1 3/8" Z6	S 1 3/8" Z21	S 1 3/4" Z6	S 1 3/4" Z20	1 3/8" Z6	1 3/8" Z21	1 3/4" Z6	1 3/4" Z20
G5	1200	117	117	122	122	663G48F03R	663G48F37R	663G48F04R	663G48F38R
	1450	125	125	130	130	663H48F03R	663H48F37R	663H48F04R	663H48F38R
G8	*1450	131	131	136	136	663L53F03R	663L53F37R	663L53F04R	663L53F38R
	1800					663L58F03R	663L58F37R	663L58F04R	663L58F38R

\* Maximum recommended settings for 1000 min<sup>-1</sup> velocity.


For primary drivelines, always install any torque limiter or overrunning clutch on the implement side.  
All rotating parts must be guarded.



**FT42R**

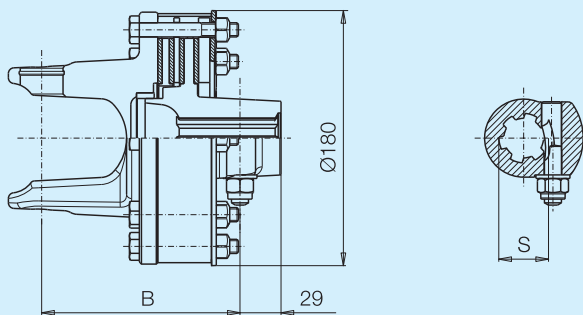
Non-adjustable setting

Ref.	Size	Spare parts code	Description	Technical data
1		432000054R08	Bolt	M10 x 55 mm
2	G5	2530G8705R	Flange yoke	
	G7	2530H8705R		
	G8	2530L8705R		
3		310001300R04	Special socket head set screw	M10 x 25 mm
4		258005320R02	Bushing	
5		247006351R08	Friction lining	D = 162 ; d = 85 mm
6		515870305R	Hub with taper pin	1 3/8" Z6
		515873705R		1 3/8" Z21
		515870405R		1 3/4" Z6
		515873805R		1 3/4" Z20
7		408000047R02	Taper pin	1 3/8" Z6 - Z21
		408000046R02		1 3/4" Z6 - Z20
8		248870005R	Pressure plate	Thickness = 8 mm
9		240000214R02	Adjustment band	
10		367FT420A	Belleville spring	1200 Nm
		367FT420C		1450 Nm
		367FT420D		1800 Nm

 For primary drivelines, always install any torque limiter or overrunning clutch on the implement side. All rotating parts must be guarded.

## FT34

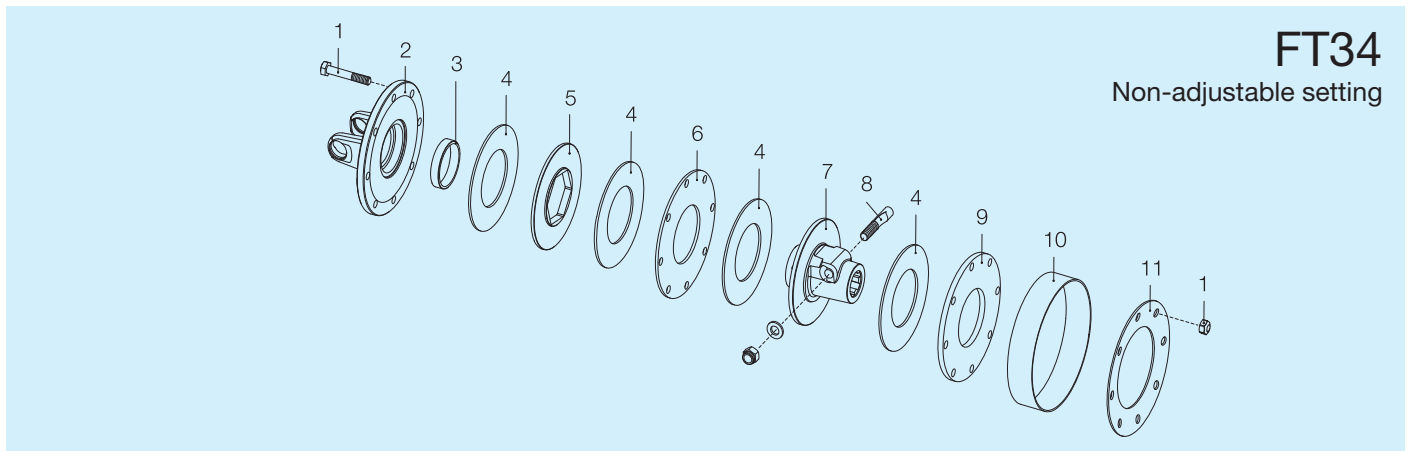
Non-adjustable setting



Size	Torque Nm	B (mm)				Spare parts code			
		S 1 3/8" Z6	S 1 3/8" Z21	S 1 3/4" Z6	S 1 3/4" Z20	1 3/8" Z6	1 3/8" Z21	1 3/4" Z6	1 3/4" Z20
<b>G5</b>	1200	133	133	138	138	663G48303R	663G48337R	663G48304R	663G48338R
<b>G7</b>	*1200	140	140	145	145	663H48303R	663H48337R	663H48304R	663H48338R
	1450					663H53303R	663H53337R	663H53304R	663H53338R
<b>G8</b>	*1450	146	146	151	151	663L53303R	663L53337R	663L53304R	663L53338R
	1800					663L58303R	663L58337R	663L58304R	663L58338R

\* Maximum recommended settings for 1000 min<sup>-1</sup> velocity.


For primary drivelines, always install any torque limiter or overrunning clutch on the implement side. All rotating parts must be guarded.



**FT34**

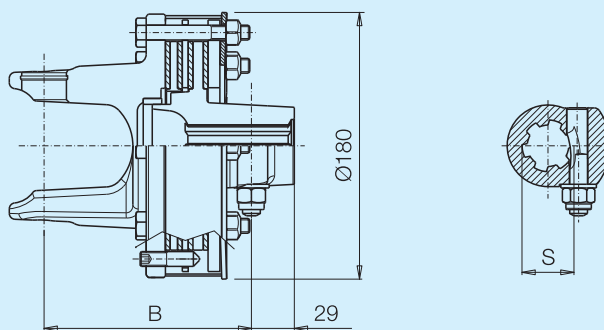
Non-adjustable setting

Ref.	Size	Spare parts code	Description	Technical data
1		432000045R08	Bolt	M10 x 65 mm
2	G5	253058901R	Flange yoke	
	G7	253068903R		
	G8	253078601R		
3		258005320R02	Bushing	
4		247006251R08	Friction lining	D = 141 ; d = 77 mm
5		248727702R02	Driving disc	
6		248860001R02	Inner disc	Thickness = 4 mm
7		515890305R	Hub with taper pin	1 3/8" Z6
		515893705R		1 3/8" Z21
		515890405R		1 3/4" Z6
		515893805R		1 3/4" Z20
8		408000047R02	Taper pin	1 3/8" Z6 - Z21
		408000049R02		1 3/4" Z6 - Z20
9		248860005R02	Pressure plate	Thickness = 8 mm
10		240000218R02	Adjustment band	
11		367FT340A	Belleville spring	1200 Nm
		367FT340C		1450 Nm
		367FT340D		1800 Nm

 For primary drivelines, always install any torque limiter or overrunning clutch on the implement side. All rotating parts must be guarded.

## FT34R

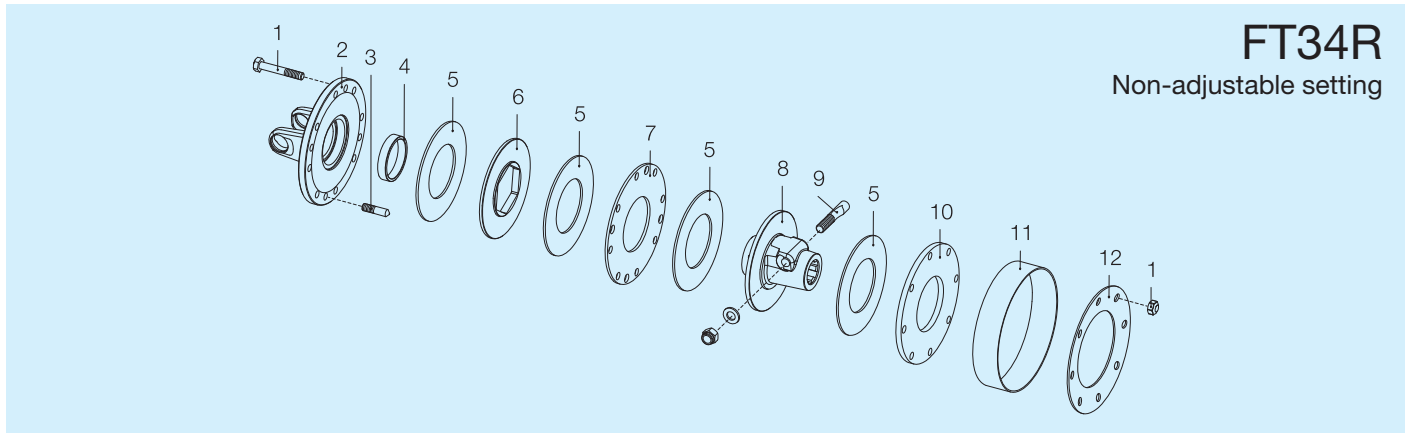
Non-adjustable setting



Size	Torque Nm	B (mm)				Spare parts code			
		S 1 3/8" Z6	S 1 3/8" Z21	S 1 3/4" Z6	S 1 3/4" Z20	1 3/8" Z6	1 3/8" Z21	1 3/4" Z6	1 3/4" Z20
G5	1200	133	133	138	138	663G48E03R	663G48E37R	663G48E04R	663G48E38R
	1450	140	140	145	145	663H48E03R	663H48E37R	663H48E04R	663H48E38R
G8	*1450	146	146	151	151	663L53E03R	663L53E37R	663L53E04R	663L53E38R
	1800					663L58E03R	663L58E37R	663L58E04R	663L58E38R

\* Maximum recommended settings for 1000 min<sup>-1</sup> velocity.


For primary drivelines, always install any torque limiter or overrunning clutch on the implement side. All rotating parts must be guarded.



**FT34R**

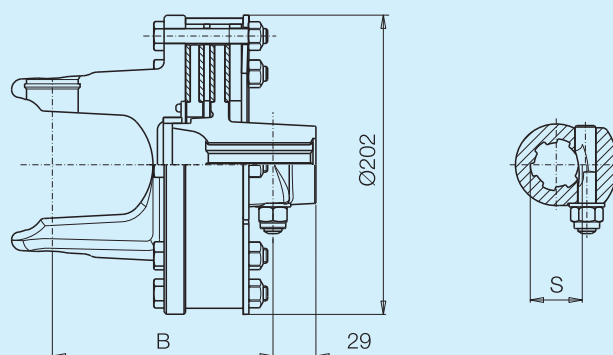
Non-adjustable setting

Ref.	Size	Spare parts code	Description	Technical data
1		432000045R08	Bolt	M10 x 65 mm
2	G5	2530G8605R	Flange yoke	
	G7	2530H8605R		
	G8	2530L8605R		
3		310001301R04	Special socket head set screw	M10 x 40 mm
4		258005320R02	Bushing	
5		247006251R08	Friction lining	D = 141 ; d = 77 mm
6		248727702R02	Driving disc	
7		248860006R02	Inner disc	Thickness = 4 mm
8		515890305R	Hub with taper pin	1 3/8" Z6
		515893705R		1 3/8" Z21
		515890405R		1 3/4" Z6
		515893805R		1 3/4" Z20
9		408000047R02	Taper pin	1 3/8" Z6 - Z21
		408000049R02		1 3/4" Z6 - Z20
10		248860005R02	Pressure plate	Thickness = 8 mm
11		240000218R02	Adjustment band	
12		367FT340A	Belleville spring	1200 Nm
		367FT340C		1450 Nm
		367FT340D		1800 Nm

 For primary drivelines, always install any torque limiter or overrunning clutch on the implement side. All rotating parts must be guarded.

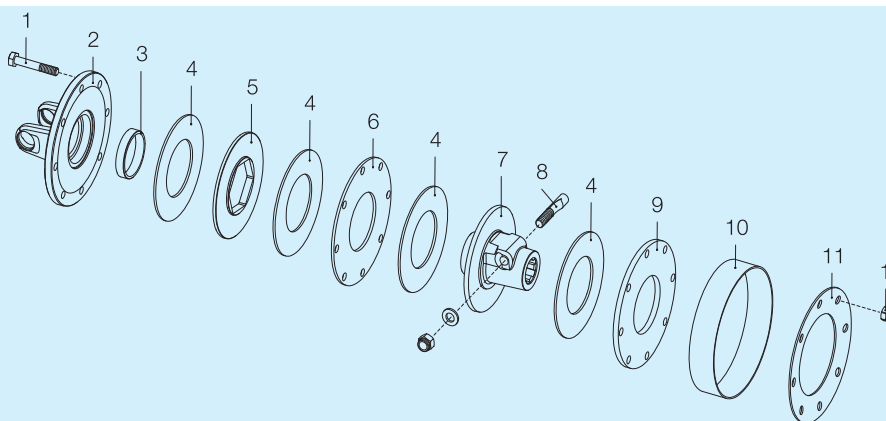
## FT44

Non-adjustable setting



Size	Torque Nm	B (mm)				Spare parts code			
		S 1 3/8" Z6	S 1 3/8" Z21	S 1 3/4" Z6	S 1 3/4" Z20	1 3/8" Z6	1 3/8" Z21	1 3/4" Z6	1 3/4" Z20
G8	1800	147	147	152	152	663L58503R	663L58537R	663L58504R	663L58538R

\* Maximum recommended settings for 1000 min<sup>-1</sup> velocity.

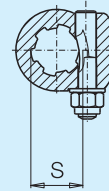
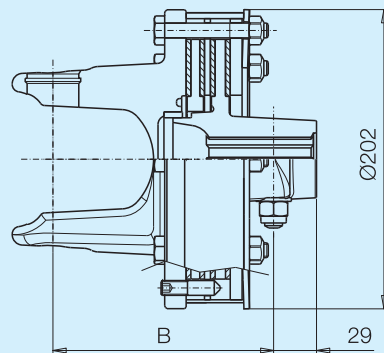


Ref.	Size	Spare parts code	Description	Technical data
1		432000100R08	Bolt	M10 x 55 mm
2	G8	253078702R	Flange yoke	
3		258005320R02	Bushing	
4		247006351R08	Friction lining	D = 162 ; d = 85 mm
5		248737702R02	Driving disc	
6		248870011R02	Inner disc	Thickness = 4 mm
7		515900305R	Hub with taper pin	1 3/8" Z6
		515903705R		1 3/8" Z21
		515900405R		1 3/4" Z6
		515903805R		1 3/4" Z20
8		408000047R02	Taper pin	1 3/8" Z6 - Z21
		408000046R02		1 3/4" Z6 - Z20
9		248870005R	Pressure plate	Thickness = 8 mm
10		240000219R02	Adjustment band	
11		367FT440A	Belleville spring	1800 Nm

For primary drivelines, always install any torque limiter or overrunning clutch on the implement side.  
All rotating parts must be guarded.

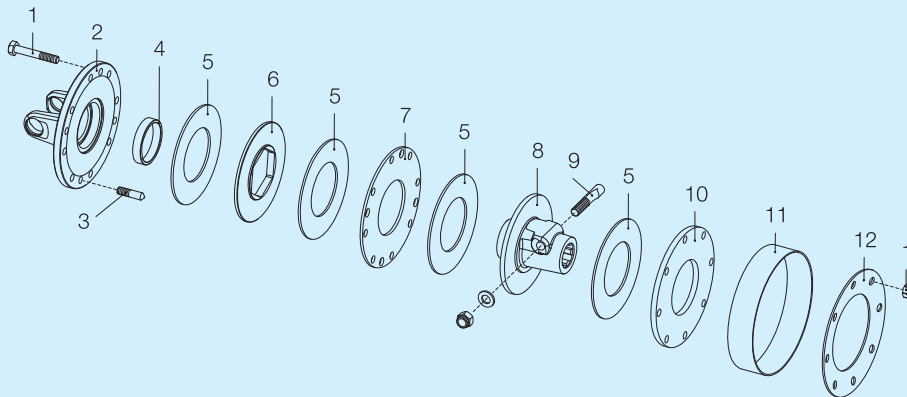
**FT44R**

Non-adjustable setting



Size	Torque Nm	B (mm)				Spare parts code			
		S 1 3/8" Z6	S 1 3/8" Z21	S 1 3/4" Z6	S 1 3/4" Z20	1 3/8" Z6	1 3/8" Z21	1 3/4" Z6	1 3/4" Z20
<b>G8</b>	1800	147	147	152	152	663L58G03R	663L58G37R	663L58G04R	663L58G38R

\* Maximum recommended settings for 1000 min<sup>-1</sup> velocity.



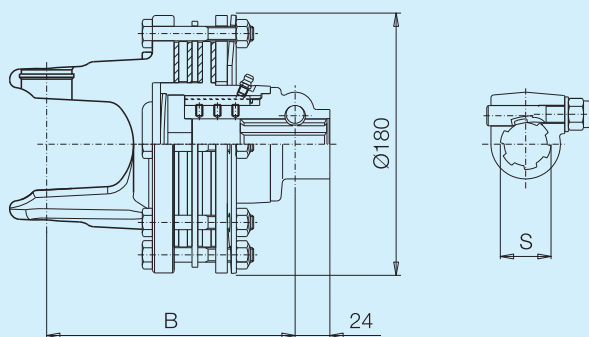
Ref.	Size	Spare parts code	Description	Technical data
1		432000100R08	Bolt	M10 x 70 mm
2	<b>G8</b>	2530L8705R	Flange yoke	
3		310001301R04	Special socket head set screw	M10 x 40 mm
4		258005320R02	Bushing	
5		247006351R08	Friction lining	D = 162 ; d = 85 mm
6		248737702R02	Driving plate	
7		248870013R02	Inner disc	Thickness = 4 mm
8		515900305R	Hub with taper pin	1 3/8" Z6
		515903705R		1 3/8" Z21
		515900405R		1 3/4" Z6
		515903805R		1 3/4" Z20
9		408000047R02	Taper pin	1 3/8" Z6 - Z21
		408000046R02		1 3/4" Z6 - Z20
10		248870005R	Pressure plate	Thickness = 8 mm
11		240000219R02	Adjustment band	
12		367FT440A	Belleville spring	1800 Nm

For primary drivelines, always install any torque limiter or overrunning clutch on the implement side. All rotating parts must be guarded.



## FNV34

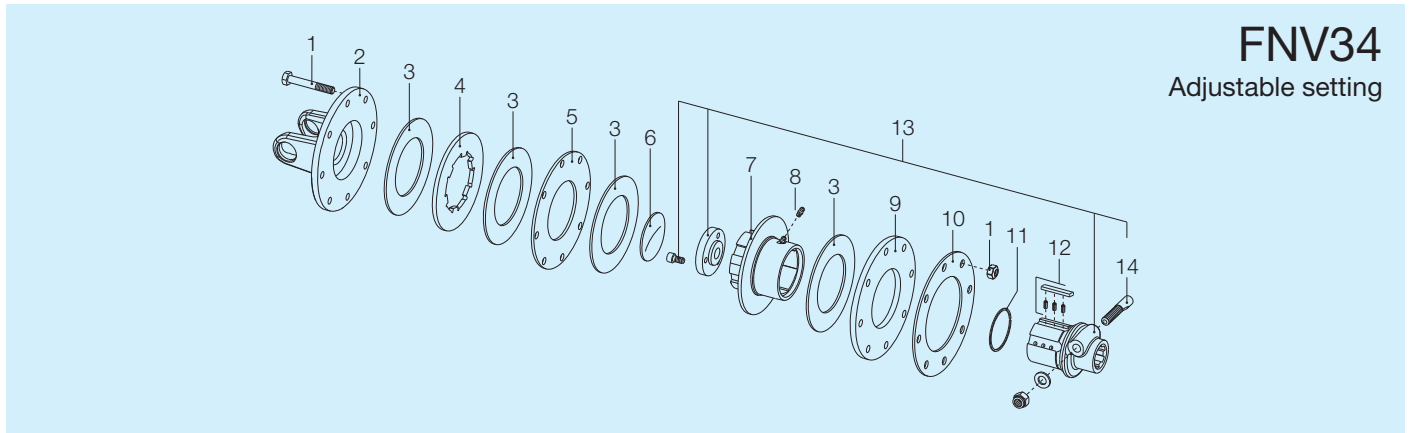
Adjustable setting



Size	Torque Nm	B (mm)				Spare parts code			
		S 1 3/8" Z6	S 1 3/8" Z21	S 1 3/4" Z6	S 1 3/4" Z20	1 3/8" Z6	1 3/8" Z21	1 3/4" Z6	1 3/4" Z20
<b>G5</b>	1200	158	158	---	---	665G48103R	665G48137R	---	---
<b>G7</b>	*1200	166	166	---	---	665H48103R	665H48137R	---	---
	1350					665H51103R	665H51137R	---	---
	1450					665H53103R	665H53137R	---	---
<b>G8</b>	1350	172	172	---	---	665L51103R	665L51137R	---	---
	*1450					665L53103R	665L53137R	---	---
	1600					665L56103R	665L56137R	---	---
	1800					665L58103R	665L58137R	---	---

\* Maximum recommended settings for 1000 min<sup>-1</sup> velocity.

For primary drivelines, always install any torque limiter or overrunning clutch on the implement side. All rotating parts must be guarded.



## FNV34

Adjustable setting

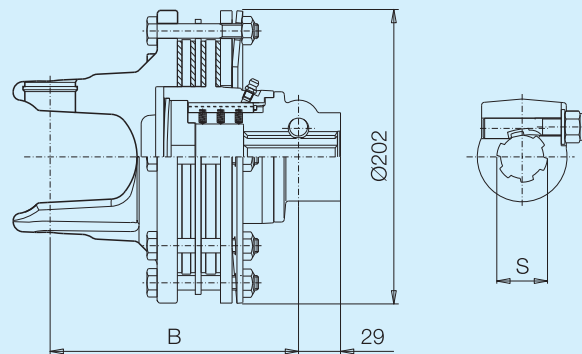
Ref.	Size	Spare parts code	Description	Technical data
1		432000114R08	Bolt	M 10 x 75 mm
2	G5	2530G1L01R	Flange yoke	
	G7	2530H1L01R		
	G8	2530L1L01R		
3		247000054R08	Friction lining	D = 140 ; d = 85 mm
4		2481L0003R02	Driving plate	
5		2481L0001R02	Inner plate	Thickness = 4 mm
6		240000746R05	Locking plate	
7		4271L0101R	Overrunning clutch housing	
8		348017000R20	Grease fitting	
9		2481L0005R02	Pressure plate	Thickness = 8 mm
10		367008860R	Belleville spring	
11		339002060R20	Snap ring	
12		4211L0001R06	Pawl + springs kit	
13		5151L0351R	Hub, plug and taper pin kit	1 3/8" Z6
		5151L3751R		1 3/8" Z21
14		408000047R02	Taper pin	1 3/8" Z6 - Z21



For primary drivelines, always install any torque limiter or overrunning clutch on the implement side.  
All rotating parts must be guarded.

## FNV44

Adjustable setting

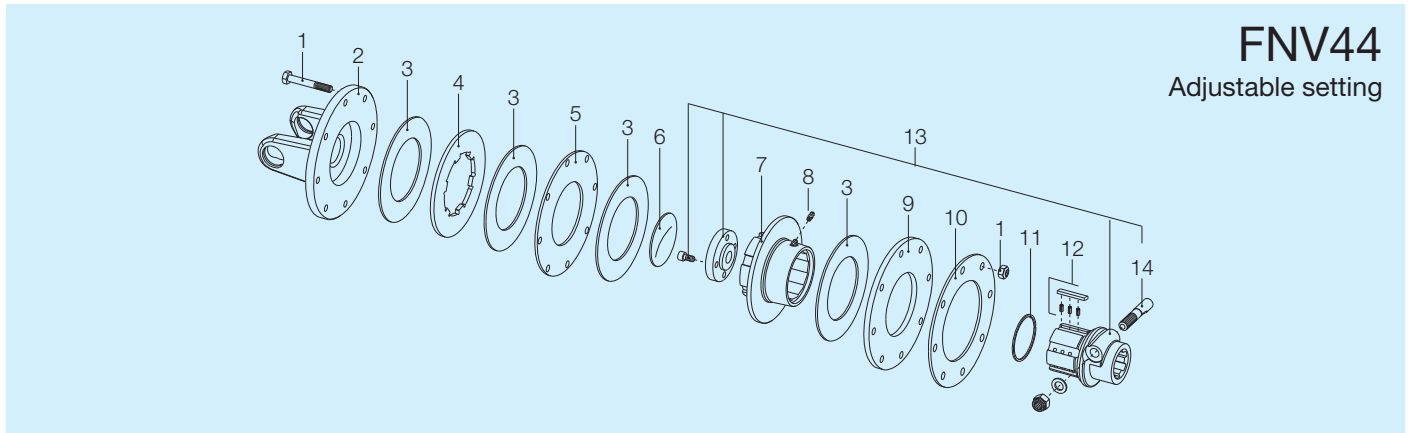


Size	Torque Nm	B (mm)				Spare parts code			
		S 1 3/8" Z6	S 1 3/8" Z21	S 1 3/4" Z6	S 1 3/4" Z20	1 3/8" Z6	1 3/8" Z21	1 3/4" Z6	1 3/4" Z20
<b>G8</b>	1800	175	175	175	175	665L58203R	665L58237R	665L58204R	665L58238R

\* Maximum recommended settings for 1000 min<sup>-1</sup> velocity.



For primary drivelines, always install any torque limiter or overrunning clutch on the implement side.  
All rotating parts must be guarded.



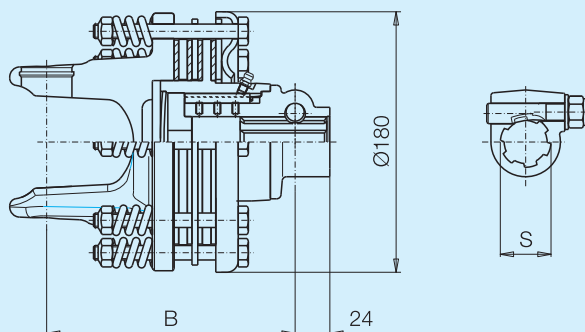
**FNV44**  
Adjustable setting

Ref.	Size	Spare parts code	Description	Technical data
1		432000114R08	Bolt	M 10 x 75 mm
2	G8	2530L1M01R	Flange yoke	
3		247000061R08	Friction lining	D = 160 ; d = 97 mm
4		2481M0001R02	Driving plate	
5		2481M0002R02	Inner plate	Thickness = 4 mm
6		240000748R05	Locking plate	
7		4271M0101R	Overrunning clutch housing	
8		348017000R20	Grease fitting	
9		2481H0004R02	Pressure plate	Thickness = 8 mm
10		367009870R	Belleville spring	
11		339002068R20	Snap ring	
12		4211L0001R06	Pawl + springs kit	
13		5151M0351R	Hub, plug and taper pin kit	1 3/8" Z6
		5151M3751R		1 3/8" Z21
		5151M0451R		1 3/4" Z6
		5151M3851R		1 3/4" Z20
14		408000047R02	Taper pin	1 3/8" Z6 - Z21
		408000046R02		1 3/4" Z6 - Z20

For primary drivelines, always install any torque limiter or overrunning clutch on the implement side.  
All rotating parts must be guarded.

## FFNV34

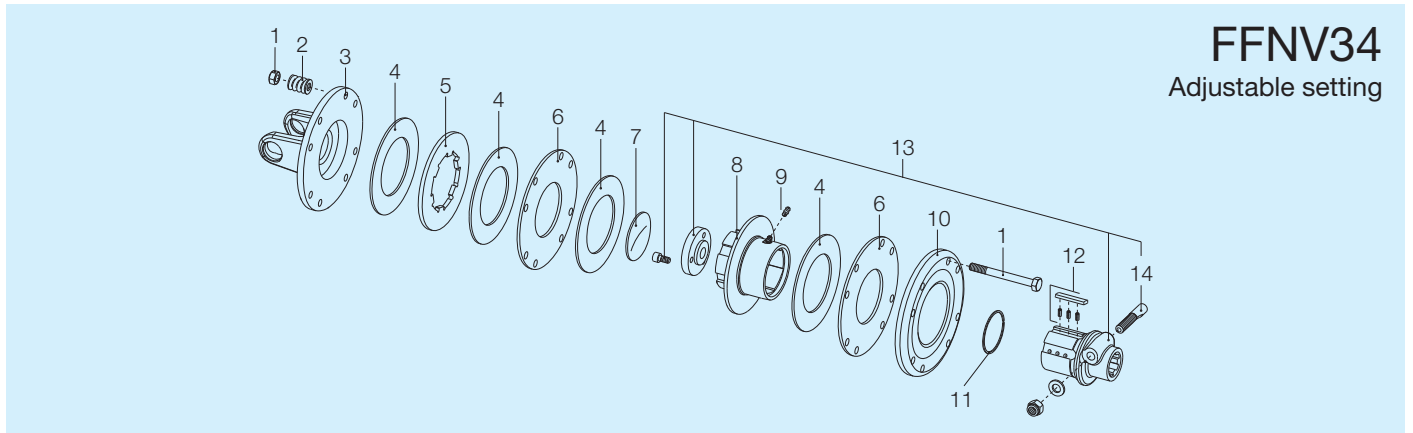
Adjustable setting



Size	Torque Nm	B (mm)				Spare parts code			
		S 1 3/8" Z6	S 1 3/8" Z21	S 1 3/4" Z6	S 1 3/4" Z20	1 3/8" Z6	1 3/8" Z21	1 3/4" Z6	1 3/4" Z20
<b>G5</b>	1200	158	158	---	---	667G48103R	667G48137R	---	---
<b>G7</b>	*1200	166	166	---	---	667H48103R	667H48137R	---	---
	1350					667H51103R	667H51137R	---	---
	1450					667H53103R	667H53137R	---	---
<b>G8</b>	1350	172	172	---	---	667L51103R	667L51137R	---	---
	*1450					667L53103R	667L53137R	---	---
	1600					667L56103R	667L56137R	---	---
	1800					667L58103R	667L58137R	---	---

\* Maximum recommended settings for 1000 min<sup>-1</sup> velocity.

For primary drivelines, always install any torque limiter or overrunning clutch on the implement side. All rotating parts must be guarded.



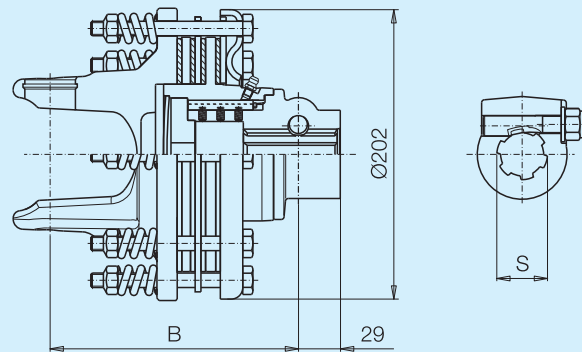
**FFNV34**  
Adjustable setting

Ref.	Size	Spare parts code	Description	Technical data
1		432000007R08	Bolt	M10 x 100 mm
2		351022370R08	Coil spring	f = 6 mm
3	G5	2530G1L05R	Flange yoke	
	G7	2530H1L05R		
	G8	2530L1L05R		
4		247000054R08	Friction lining	D = 140 ; d = 85 mm
5		2481L0003R02	Driving plate	
6		2481L0007R02	Inner plate	Thickness = 4 mm
7		240000746R05	Locking plate	
8		4271L0101R	Overrunning clutch housing	
9		348017000R20	Grease fitting	
10		248220007R02	Pressure plate	
11		339002060R20	Snap ring	
12		4211L0001R06	Pawl + springs kit	
13		5151L0351R	Hub, plug and taper pin kit	1 3/8" Z6
		5151L3751R		1 3/8" Z21
14		408000047R02	Taper pin	1 3/8" Z6 - Z21

For primary drivelines, always install any torque limiter or overrunning clutch on the implement side.  
All rotating parts must be guarded.

## FFNV44

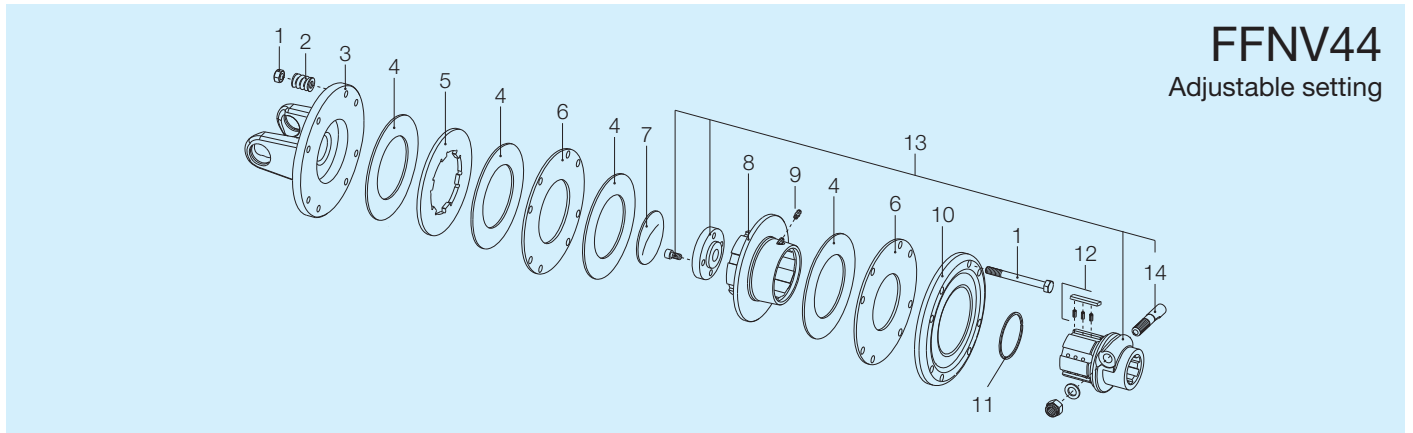
Adjustable setting



Size	Torque Nm	B (mm)				Spare parts code			
		S 1 3/8" Z6	S 1 3/8" Z21	S 1 3/4" Z6	S 1 3/4" Z20	1 3/8" Z6	1 3/8" Z21	1 3/4" Z6	1 3/4" Z20
G8	1800	175	175	175	175	667L58203R	667L58237R	667L58204R	667L58238R

\* Maximum recommended settings for 1000 min<sup>-1</sup> velocity.

For primary drivelines, always install any torque limiter or overrunning clutch on the implement side.  
All rotating parts must be guarded.



## FFNV44

Adjustable setting

Ref.	Size	Spare parts code	Description	Technical data
1		432000122R08	Bolt	M10 x 105 mm
2		351013370R08	Coil spring	f = 7 mm
3	G8	2530L1M05R	Flange yoke	
4		247000061R08	Friction lining	D = 160 ; d = 97 mm
5		2481M0001R02	Driving plate	
6		2481M0007R02	Inner plate	Thickness = 4 mm
7		240000748R05	Locking plate	
8		4271M0101R	Overrunning clutch housing	
9		348017000R20	Grease fitting	
10		248230006R02	Pressure plate	
11		339002068R20	Snap ring	
12		4211L0001R06	Pawl + springs kit	
13		5151M0351R	Hub, plug and taper pin kit	1 3/8" Z6
		5151M3751R		1 3/8" Z21
		5151M0451R		1 3/4" Z6
		5151M3851R		1 3/4" Z20
14		408000047R02	Taper pin	1 3/8" Z6 - Z21
		408000046R02		1 3/4" Z6 - Z20

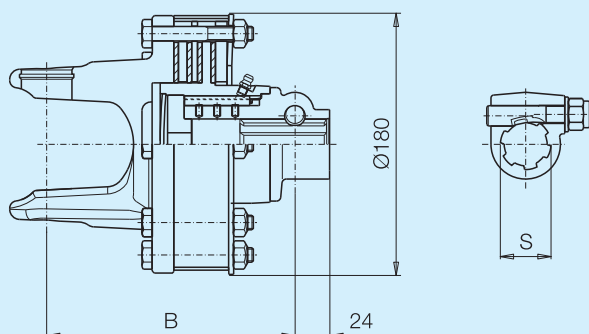


For primary drivelines, always install any torque limiter or overrunning clutch on the implement side.  
All rotating parts must be guarded.



## FNT34

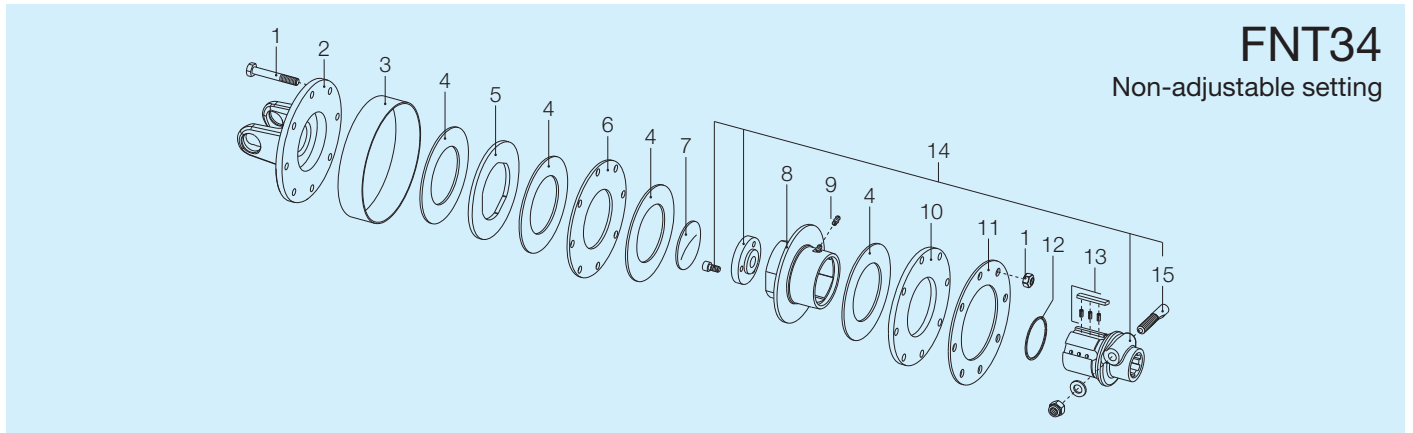
Non-adjustable setting



Size	Torque Nm	B (mm)				Spare parts code			
		S 1 3/8" Z6	S 1 3/8" Z21	S 1 3/4" Z6	S 1 3/4" Z20	1 3/8" Z6	1 3/8" Z21	1 3/4" Z6	1 3/4" Z20
G5	1200	158	158	---	---	658G48103R	658G48137R	---	---
G7	*1200	166	166	---	---	658H48103R	658H48137R	---	---
	1450					658H53103R	658H53137R	---	---
G8	*1450	172	172	---	---	658L53103R	658L53137R	---	---
	1800					658L58103R	658L58137R	---	---

\* Maximum recommended settings for 1000 min<sup>-1</sup> velocity.

For primary drivelines, always install any torque limiter or overrunning clutch on the implement side. All rotating parts must be guarded.



## FNT34

Non-adjustable setting

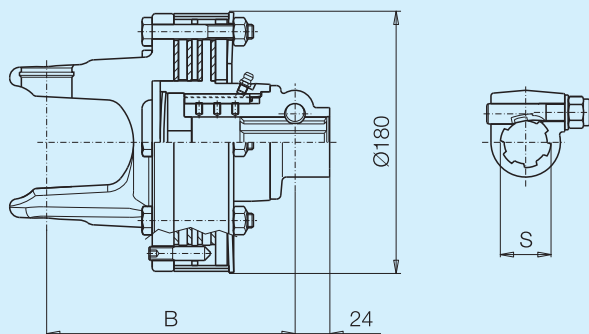
Ref.	Size	Spare parts code	Description	Technical data
1		432000100R08	Bolt	M10 x 65 mm
2	G5	2530G1L01R	Flange yoke	
	G7	2530H1L01R		
	G8	2530L1L01R		
3		240000218R02	Adjustment band	
4		247000054R08	Friction lining	D = 140 ; d = 85 mm
5		2481L0003R02	Driving plate	
6		2481L0001R02	Inner plate	Thickness = 4 mm
7		240000746R05	Locking plate	
8		4271L0101R	Overrunning clutch housing	
9		348017000R20	Grease fitting	
10		2481L0002R02	Pressure plate	Thickness = 8 mm
11		367FT340A	Belleville spring	1200 Nm
		367FT340C		1450 Nm
		367FT340D		1800 Nm
12		339002060R20	Snap ring	
13		4211L0001R06	Pawl + springs kit	
14		5151L0351R	Hub, plug and taper pin kit	1 3/8" Z6
		5151L3751R		1 3/8" Z21
15		408000047R02	Taper pin	1 3/8" Z6 - Z21



For primary drivelines, always install any torque limiter or overrunning clutch on the implement side.  
All rotating parts must be guarded.

## FNT34R

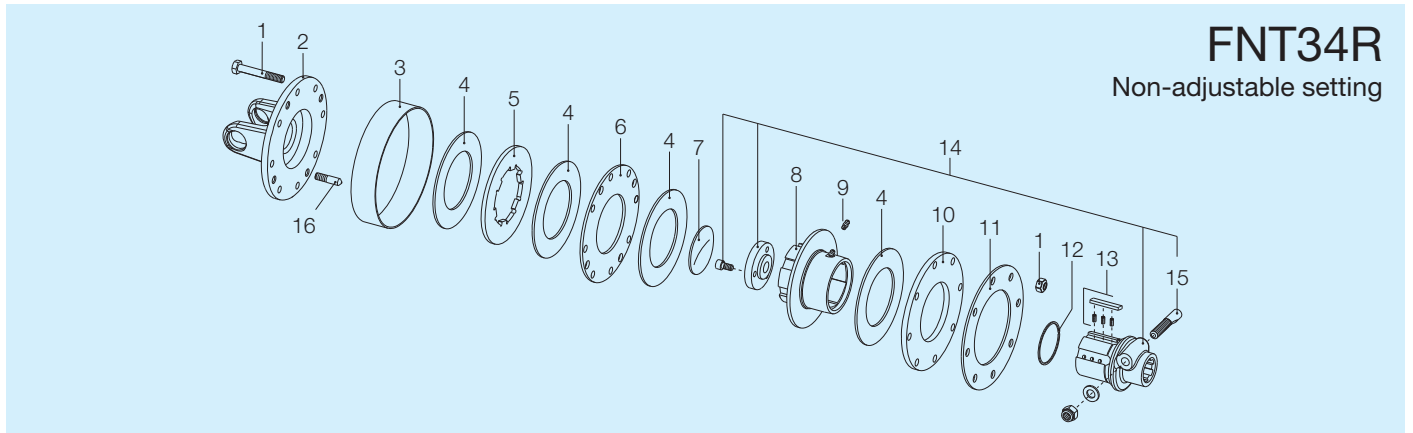
Non-adjustable setting



Size	Torque Nm	B (mm)				Spare parts code			
		S 1 3/8" Z6	S 1 3/8" Z21	S 1 3/4" Z6	S 1 3/4" Z20	1 3/8" Z6	1 3/8" Z21	1 3/4" Z6	1 3/4" Z20
G5	1200	158	158	---	---	658G48203R	658G48237R	---	---
G7	*1200	166	166	---	---	658H48203R	658H48237R	---	---
	1450					658H53203R	658H53237R	---	---
G8	*1450	172	172	---	---	658L53203R	658L53237R	---	---
	1800					658L58203R	658L58237R	---	---

\* Maximum recommended settings for 1000 min<sup>-1</sup> velocity.

For primary drivelines, always install any torque limiter or overrunning clutch on the implement side. All rotating parts must be guarded.



## FNT34R

Non-adjustable setting

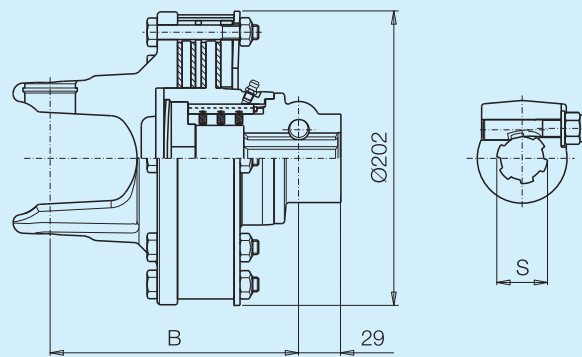
Ref.	Size	Spare parts code	Description	Technical data
1		432000100R08	Bolt	M10 x 70 mm
2	G5	2530G1L02R	Flange yoke	
	G7	2530H1L02R		
	G8	2530L1L02R		
3		240000218R02	Adjustment band	
4		247000054R08	Friction lining	D = 140 ; d = 85 mm
5		2481L0003R02	Driving plate	
6		2481L0004R02	Inner plate	Thickness = 4 mm
7		240000746R05	Locking plate	
8		4271L0101R	Overrunning clutch housing	
9		348017000R20	Grease fitting	
10		2481L0002R02	Pressure plate	Thickness = 8 mm
11		367FT340A	Belleville spring	1200 Nm
		367FT340C		1450 Nm
		367FT340D		1800 Nm
12		339002060R20	Snap ring	
13		4211L0001R06	Pawl + springs kit	
14		5151L0351R	Hub, plug and taper pin kit	1 3/8" Z6
		5151L3751R		1 3/8" Z21
15		408000047R02	Taper pin	1 3/8" Z6 - Z21
16		310001301R04	Special socket head set screw	M 10 x 40 mm



For primary drivelines, always install any torque limiter or overrunning clutch on the implement side.  
All rotating parts must be guarded.

## FNT44

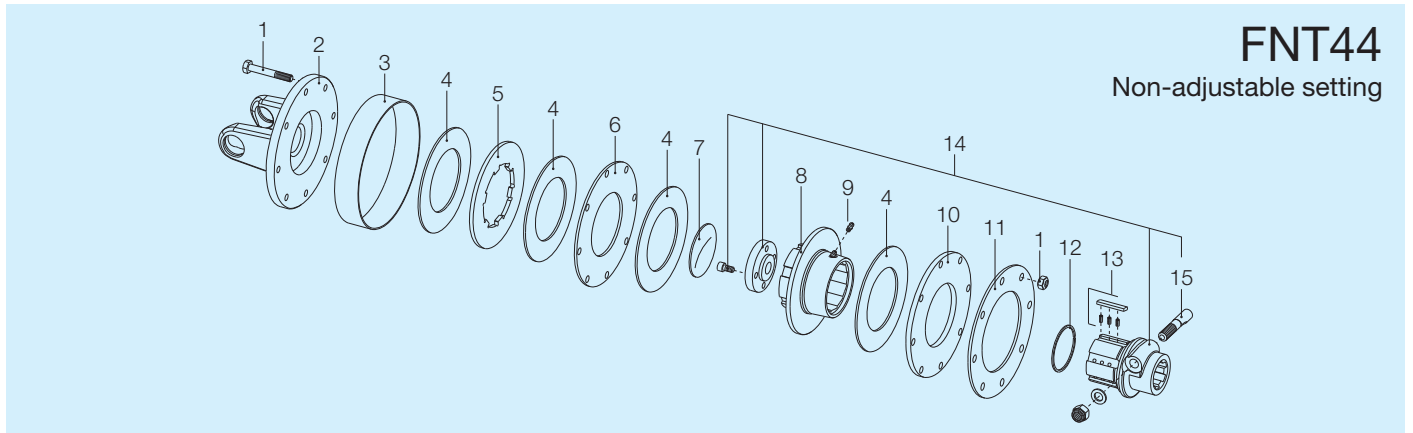
Non-adjustable setting



Size	Torque Nm	B (mm)				Spare parts code			
		S 1 3/8" Z6	S 1 3/8" Z21	S 1 3/4" Z6	S 1 3/4" Z20	1 3/8" Z6	1 3/8" Z21	1 3/4" Z6	1 3/4" Z20
G8	1800	175	175	175	175	658L58303R	658L58337R	658L58304R	658L58338R

\* Maximum recommended settings for 1000 min<sup>-1</sup> velocity.

For primary drivelines, always install any torque limiter or overrunning clutch on the implement side.  
All rotating parts must be guarded.



## FNT44

Non-adjustable setting

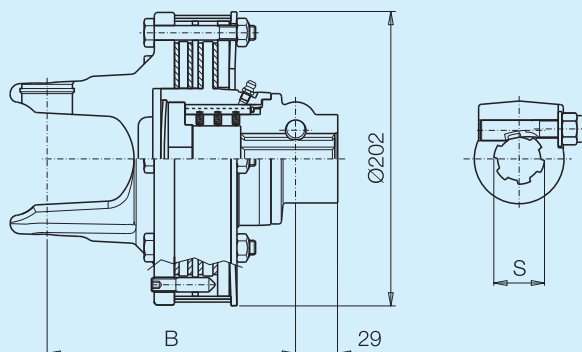
Ref.	Size	Spare parts code	Description	Technical data
1		432000100R08	Bolt	M 10 x 70 mm
2	G8	2530L1M01R	Flange yoke	
3		240000219R02	Adjustment band	
4		247000061R08	Friction lining	D = 160 ; d = 97 mm
5		2481M0001R02	Driving plate	
6		2481M0002R02	Inner plate	Thickness = 4 mm
7		240000748R05	Locking plate	
8		4271M0101R	Overrunning clutch plug	
9		348017000R20	Grease fitting	
10		2481H0003R02	Pressure plate	Thickness = 8 mm
11		367FT440A	Belleville spring	1800 Nm
12		339002068R20	Snap ring	
13		4211L0001R06	Pawl + springs kit	
14		5151M0351R	Hub, plug and taper pin kit	1 3/8" Z6
		5151M3751R		1 3/8" Z21
		5151M0451R		1 3/4" Z6
		5151M3851R		1 3/4" Z20
15		408000047R02	Taper pin	1 3/8" Z6 - Z21
		408000046R02		1 3/4" Z6 - Z20



For primary drivelines, always install any torque limiter or overrunning clutch on the implement side.  
All rotating parts must be guarded.

## FNT44R

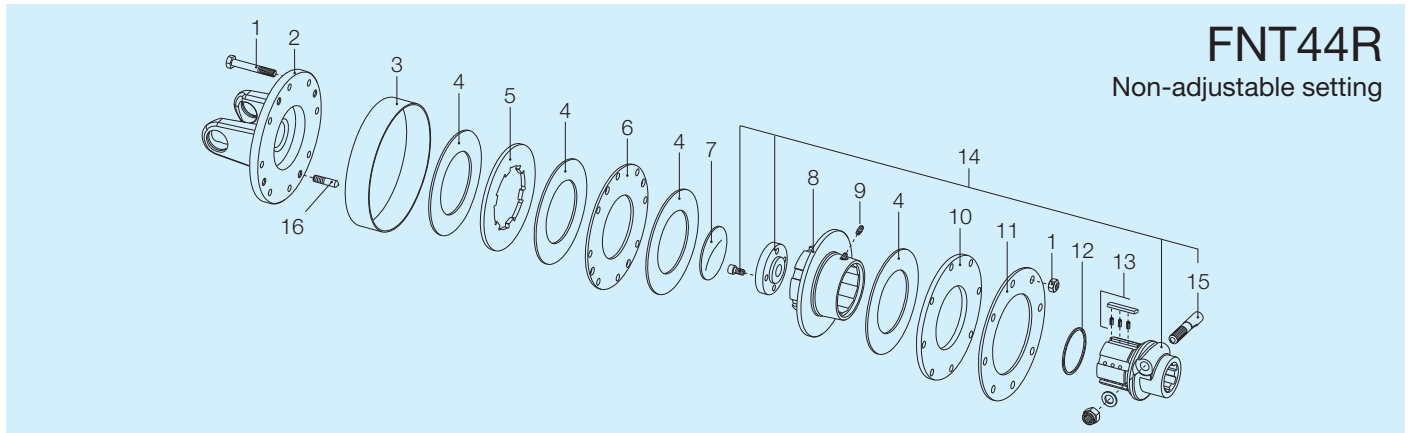
Non-adjustable setting



Size	Torque Nm	B (mm)				Spare parts code			
		S 1 3/8" Z6	S 1 3/8" Z21	S 1 3/4" Z6	S 1 3/4" Z20	1 3/8" Z6	1 3/8" Z21	1 3/4" Z6	1 3/4" Z20
G8	1800	175	175	175	175	658L58403R	658L58437R	658L58404R	658L58438R

\* Maximum recommended settings for 1000 min<sup>-1</sup> velocity.

For primary drivelines, always install any torque limiter or overrunning clutch on the implement side.  
All rotating parts must be guarded.



## FNT44R

Non-adjustable setting

Ref.	Size	Spare parts code	Description	Technical data
1		432000100R08	Bolt	M 10 x 70 mm
2	G8	2530L1M02R	Flange yoke	
3		240000219R02	Adjustment band	
4		247000061R08	Friction lining	D = 160 ; d = 97 mm
5		2481M0001R02	Driving plate	
6		2481M0003R02	Inner plate	Thickness = 4 mm
7		240000748R05	Locking plate	
8		4271M0101R	Overrunning clutch plug	
9		348017000R20	Grease fitting	
10		2481H0003R02	Pressure plate	Thickness = 8 mm
11		367FT440A	Belleville spring	1800 Nm
12		339002068R20	Snap ring	
13		4211L0001R06	Pawl + springs kit	
14		5151M0351R	Hub, plug and taper pin kit	1 3/8" Z6
		5151M3751R		1 3/8" Z21
		5151M0451R		1 3/4" Z6
		5151M3851R		1 3/4" Z20
15		408000047R02	Taper pin	1 3/8" Z6 - Z21
		408000046R02		1 3/4" Z6 - Z20
16		310001301R04	Special socket head set screw	M 10 x 40 mm



For primary drivelines, always install any torque limiter or overrunning clutch on the implement side.  
All rotating parts must be guarded.



## Complete shield kits for spare parts

Complete shield kits for spare parts are sized to fit the drivelines on which they will be used.

The code for the shield kit length is the same code used for the driveline length.

Shield tubes can be cut to fit a specific driveline length, but the shield tubes should maintain sufficient overlap for all operating and transport conditions.

Safety labels and operator's manuals are included according to the standards and regulations of the country of destination. Shield kits are supplied with chains or with the Single Chain System, except for North America, where shield restraints are optional.

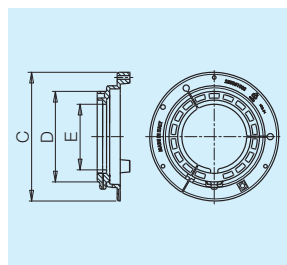
The standard connection of restraint chains to the shield is by means of an "S" hook for sizes S1 to S5. For larger sizes, the connection is made by the Spring Link device. Chains with Spring Link are available for smaller sizes as an option, by adding the letter "Z" to the end of the complete shield kit code.

Global drivelines and shields are tested to meet EN1152, EN ISO 5674, EN 12965 standards, and are CE certified. Complete shield kits are sold as spare parts and therefore, according to the Machinery Directive, do not require a CE mark. However, the mark can be applied on request.

Standards EN 12965 and ANSI/ASABE S604 require a 50 mm overlap of the driveline shield with the implement input connection shield.

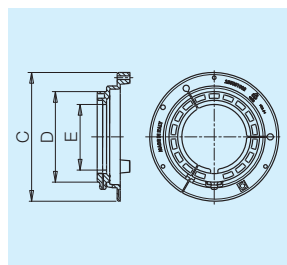
## Bearing ring for standard safety shields

For outer tube



	D mm	E mm	C mm	Spare parts Code
G1	66.0	40.4	103	255011002R02
G2	66.0	47.4	103	255021002R02
G3	72.5	53.4	109	255041002R02
G4	72.5	53.4	109	255041002R02
G5	87.2	62.4	124	255051002R02
G7	87.2	68.4	124	255071002R02
G8	87.2	68.4	124	255071002R02

For inner tube

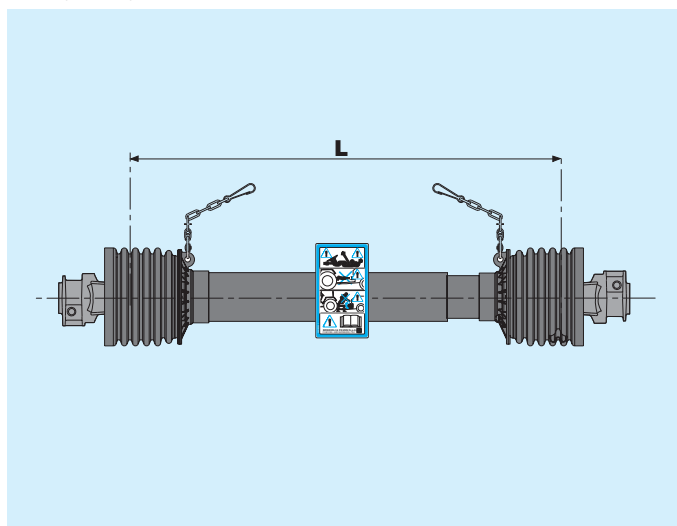


	D mm	E mm	C mm	Spare parts Code
G1	60.6	34.4	103	255011001R02
G2	60.6	40.4	103	255021001R02
G3	67.0	46.4	109	255041001R02
G4	67.0	46.4	109	255041001R02
G5	81.0	53.4	124	255051001R02
G7	81.0	59.4	124	255071001R02
G8	81.0	59.4	124	255071001R02

## Single cardan joint Standard safety shields

Code	086	121
Length L (mm)	860	1210
G1	5CG1086FXSS	5CG1121FXSS
G2	5CG2086FXSS	5CG2121FXSS
G3	5CG3086FXSS	5CG3121FXSS
G4	5CG4086FXSS	5CG4121FXSS
G5	5CG5086FXSS	5CG5121FXSS
G7	5CG7086FXSS	5CG7121FXSS
G8	5CG8086FXSS	5CG8121FXSS

For North America, replace the "FX" in the codes above with "U2".  
For Japan, replace the "FX" in the codes above with "JP".



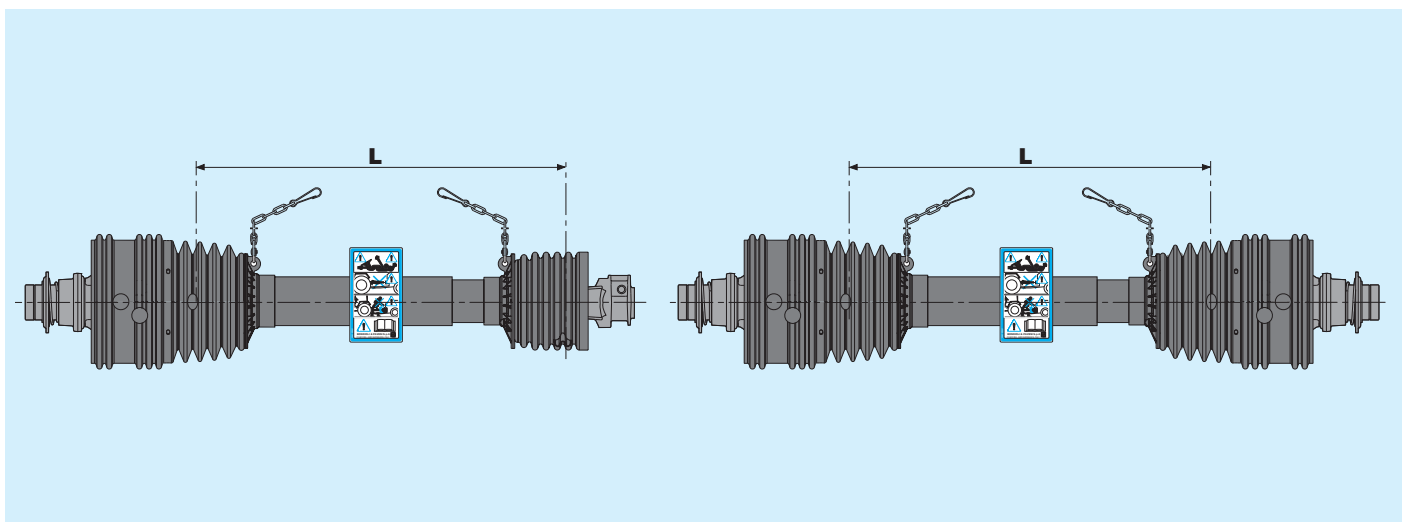
80° Constant velocity joint  
Standard safety shields

Code	086	121
Length L (mm)	860	1210
G1	---	---
G2	5CG2086FXWS	5CG2121FXWS
G3	---	---
G4	5CG4086FXWS	5CG4121FXWS
G5	5CG5086FXWS	5CG5121FXWS
G7	5CG7086FXWS	5CG7121FXWS
G8	5CG8086FXWS	5CG8121FXWS

80° Double constant velocity joint  
Standard safety shields

Code	086	121
Length L (mm)	860	1210
G1	---	---
G2	5CG2086FXWW	5CG2121FXWW
G3	---	---
G4	5CG4086FXWW	5CG4121FXWW
G5	5CG5086FXWW	5CG5121FXWW
G7	5CG7086FXWW	5CG7121FXWW
G8	5CG8086FXWW	5CG8121FXWW

For North America, replace the "FX" in the codes above with "U2". For Japan, replace the "FX" in the codes above with "JP".



The size of the IIC shields should be sufficient to allow the cone to pass over the driveline's outer cone. Diameter  $D_1$  must therefore be larger than the diameter of the outer cone, or any type of torque limiter or clutch installed on the driveline.

The table below shows appropriate IIC shield diameter codes (i.e. the diameter D in centimeters) for various driveline attachments.

IIC shields and driveline shields should allow minimal access to revolving parts, while leaving the driveline easy to install and free to articulate.

Driveline Attachment	G1	G2	G3	G4	G5	G7	G8
Yokes for single cardan joints	17	19	19	19	21	21	21
RA	17	19	19	19	21	21	21
SA - LN	17	19	19	19	21	--	--
LB	19	19	19	19	21	21	21
LR23 - LR24	--	--	--	19	21	21	21
FV22 - FFV22 - FT22	21	21	21	21	--	--	--
FV32 - FFV32 - FT32	--	--	--	23	23	23	--
FT34 - FFV34 - FT34	--	--	--	--	23	23	23
FV42 - FFV42 - FT42	--	--	--	--	25	25	25
FV44 - FFV44 - FT44	--	--	--	--	--	--	25
FNV34 - FFNV34 - FNT34	--	--	--	--	23	23	23
FNV44 - FFNV44 - FNT44	--	--	--	--	--	--	25

The IIC shield length L is measured from the face of the metal plate to the end of the plastic shield.

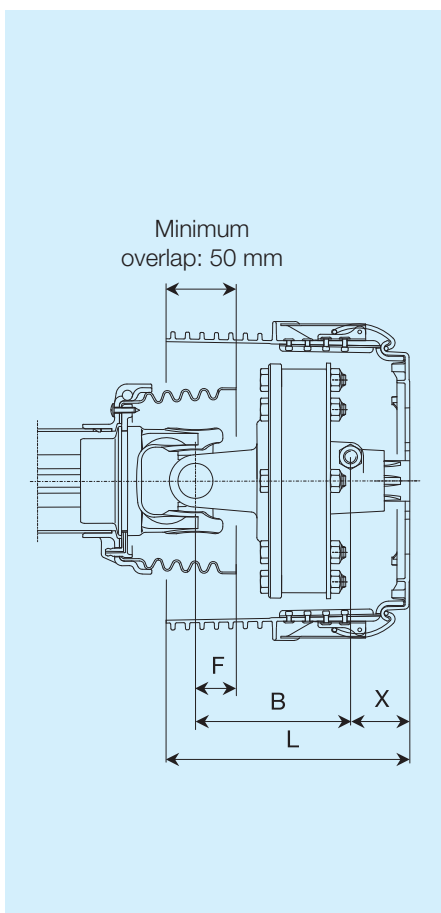
Standard shield lengths are shown in the table below and must be chosen to provide sufficient overlap with the driveline shield, while leaving the necessary space for shaft installation and movement.

IIC shield length L can be calculated by the formula  $L = X + B + 50 - F$ , where X is the length of the implement shaft, and 50 mm is the shield overlap required by standards EN 12965 and ANSI/ASABE S604.

Length B is measured from the annular groove of the splined shaft to the center of the cross. These dimensions are listed within this catalog for each yoke, torque limiter, or clutch (see section for relevant size driveline).

Length F is measured from the protrusion of the shield to the cross center. This dimension is also listed in the tables related to driveline sizes.

The table below shows the length codes for each IIC shield. Always choose the next longer standard length above the calculated length to maintain a 50 mm overlap with the driveline shield.



$$L = X + B + 50 - F$$

Length code	L (mm)				
	D=170 mm	D=190 mm	D=210 mm	D=230 mm	D=250 mm
05	122	122	122	122	122
10	135	135	135	135	135
15	147	147	147	147	147
20	160	160	160	160	160
25	172	172	172	172	172
30	185	185	185	185	185
35	197	197	197	197	197
40	210	210	210	210	210
45	222	222	222	222	222
50	---	235	235	235	235
55	---	247	247	247	247
60	---	---	260	260	260
65	---	---	---	272	272
70	---	---	---	285	285
75	---	---	---	---	300

IIC shields should be chosen depending on their intended application, the yoke, torque limiter, or clutch to be covered, their dimensions, and on normal driveline movements during implement operations and maneuvers.

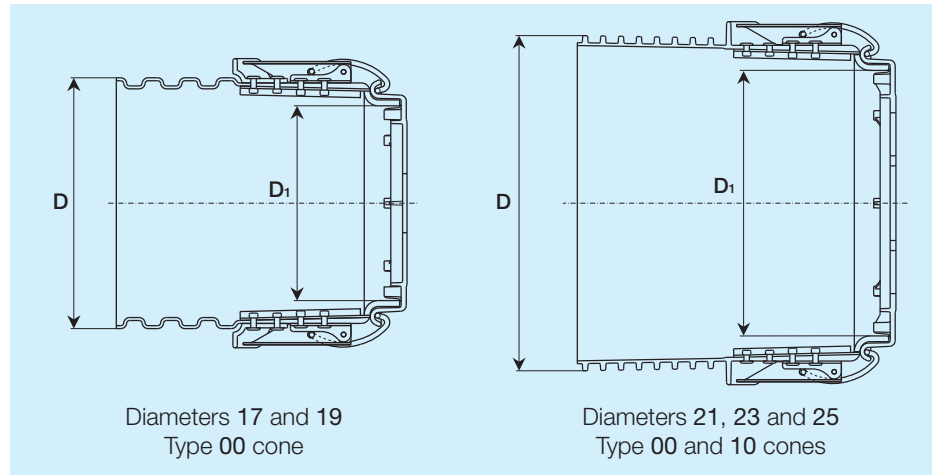
IIC shields, as well as driveline shields, should allow minimal access to revolving parts, but allow unhindered driveline movements.

Standard ISO 5673-1 defines a minimum 150 mm access.

SFT IIC shields are available with two types of shield cones, 00 and 10, which differ in shape, material and diameters.

Type 00 cones come in five different diameters and can be applied to end yokes, overrunning clutches, torsionally resilient joints, ratchet torque limiters, shear bolt torque limiters, and automatic torque limiters.

Type 10 cones come in three diameters and are made of heat-resistant plastic. They are recommended especially for protecting friction torque limiters, which are often used in heavy-duty applications and can reach high working temperatures.



Diameter code	Type 00		Type 10	
	D mm	D <sub>1</sub> mm	D mm	D <sub>1</sub> mm
17	170	132	---	---
19	190	152	---	---
21	214	165	214	165
23	235	185	235	185
25	259	207	259	207

## Codes for SFT IIC shields

- 1 2 3 **3 9 5** SFT IIC shield
- 4 5 IIC shield type  
  00: for yokes, ratchet torque limiters, shear bolt limiters, automatic limiters  
  10: heat-resistant plastic, recommended for friction torque limiters
- 6 7 IIC shield diameter  
  17, 19, 21, 23, 25 for type 00 cones  
  21, 23, 25 for type 10 cones
- 8 9 IIC Shield length  
  05, 10, 15, 20, 25, 30, 35, 40, 45, 50, 55, 60, 65, 70,75
- 10 11 **C E**

Example: 395 00 23 30 CE  
 is the code for ordering a SFT IIC Shield with 00 cone, diameter D = 230 mm (code 23), length L = 185 mm (code 30), with an instruction sheet valid for all countries of destination.

Bondioli & Pavesi offers a wide range of shields for PTO's, specifically designed for drivelines and fully compliant with international standards.

Due to the broad range of implements and applications, the specifications contained herein should be used as a general guide to the selection of an implement input connection shield.

The implement manufacturer is responsible for selecting suitable IIC shielding according to the application, the size and the articulation range of the driveline, the standards applicable for the country of destination.

Thorough testing of the IIC shield by the implement manufacturer under actual field conditions is necessary and strongly recommended by Bondioli & Pavesi.

All rotating parts must be guarded. The shields on the tractor and on the implement machine must form an integrated guarding system with the driveline guard.

The Machinery Directive (2006/42/CE) requires that the implement be equipped with an implement input connection shield fixed to the implement.

Standard EN1553 requires the implement input connection shield completely encircle the shaft, but allow for installation and articulation of the driveline. Standards EN 12965 and ANSI/ASABE S604 requires the IIC shield provide at least 50 mm of overlap with the integral driveline guard in the straight position.

The tractor master shield, the integral driveline guard, and the implement input connection shield constitute an interactive guarding system according to ANSI/ASABE S604 standard.

Bondioli & Pavesi recommends the use of proper shields and guards for drivelines, tractors, and implements. Damaged or missing components must be replaced with original spare parts, correctly installed,

before using the driveline.

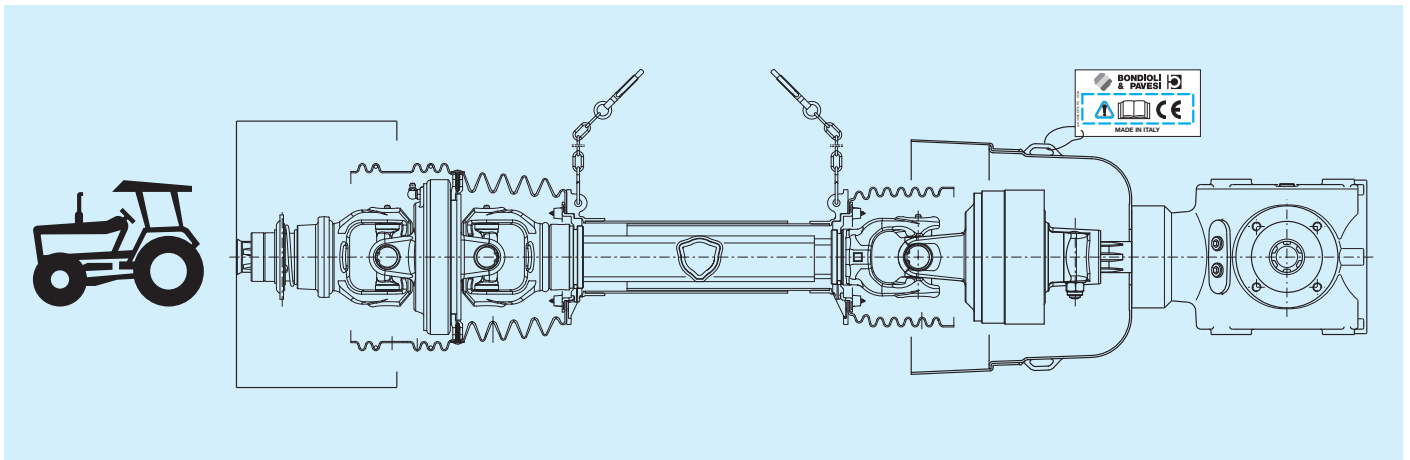
Damaged or missing components must be replaced with original spare parts, correctly installed, before using the driveline.

Bondioli & Pavesi recommends the manufacturers of implements apply labels that clearly state the need to keep safety shields in place and in proper working order.

Manufacturers are also recommended to include in their operating manuals a list of the shields and safety labels, as well as their position on the machine and their code numbers for ordering replacements.

In compliance with ASAE S493 standards, the implement manufacturer shall provide safety sign(s) and instructions stating that guards must be kept in place and the machine should not be operated with guards opened or removed.

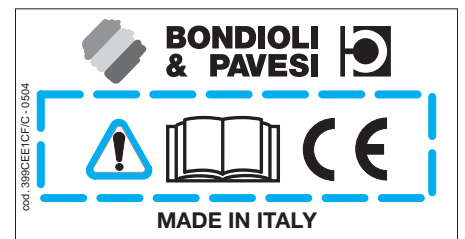
Standard EN 1553 requires a label be used to draw attention to possible risks when the guard is unlocked, opened, or removed.



The oval shape implement input connection shields can be supplied in heat-resistant plastic upon customer request. This material maintains its strength at elevated temperatures. Shields made of heat-resistant plastic can be used to guard devices operating at temperatures higher than normal, such as friction torque limiters working in heavy duty conditions. Basic information for safe and correct use of the driveline and

shielding are shown in the catalogues and on the instruction sheet included with the implement input connection shield.

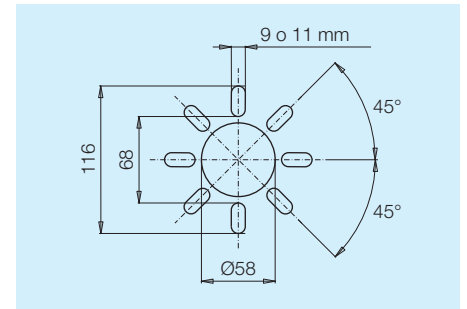
Add the suffix CE to the shield code to specify the instruction sheet for CEE-EFTA countries. Add the extra charge of 0,53 Euro, for CF implement input connection shields provided with instruction sheet including the Declaration of Conformity according to the CEE standards.



## Circular shape implement input connection shields

CF implement input connection shields with circular shape are available in three different sizes with or without fixing slots. The flat fixing surface has a diameter of 120 mm, the slots are 24 mm long and 9 or 11 mm wide. It's recommendable that the implement manufacturer provide for a solid and

sturdy mounting by screws and washers on the flat bottom surface. Flexible extensions, available in two different lengths, can be attached to the rigid body to increase the overlap with the driveline guard and allow joint articulation.



	<p>Rigid cone</p>	<p>Cone with medium band</p>	<p>Cone with long band</p>
<p>Code</p> <ul style="list-style-type: none"> <li>without slots</li> <li>with slots 9x24</li> <li>with slots 11x24</li> </ul>	<ul style="list-style-type: none"> <li>21901CE</li> <li>219000F09CE</li> <li>219000F11CE</li> </ul>	<ul style="list-style-type: none"> <li>41701CE</li> <li>517000F01CE</li> <li>517000F03CE</li> </ul>	<ul style="list-style-type: none"> <li>41711CE</li> <li>517000F02CE</li> <li>517000F04CE</li> </ul>
	<p>Rigid cone</p>	<p>Cone with medium band</p>	<p>Cone with long band</p>
<p>Code</p> <ul style="list-style-type: none"> <li>without slots</li> <li>with slots 9x24</li> <li>with slots 11x24</li> </ul>	<ul style="list-style-type: none"> <li>21902CE</li> <li>219000G09CE</li> <li>219000G11CE</li> </ul>	<ul style="list-style-type: none"> <li>41702CE</li> <li>517000G01CE</li> <li>517000G03CE</li> </ul>	<ul style="list-style-type: none"> <li>41712CE</li> <li>517000G02CE</li> <li>517000G04CE</li> </ul>
	<p>Rigid cone</p>	<p>Cone with medium band</p>	<p>Cone with long band</p>
<p>Code</p> <ul style="list-style-type: none"> <li>without slots</li> <li>with slots 9x24</li> <li>with slots 11x24</li> </ul>	<ul style="list-style-type: none"> <li>21903CE</li> <li>219000H09CE</li> <li>219000H11CE</li> </ul>	<ul style="list-style-type: none"> <li>41703CE</li> <li>517000H01CE</li> <li>517000H03CE</li> </ul>	<ul style="list-style-type: none"> <li>41713CE</li> <li>517000H02CE</li> <li>517000H04CE</li> </ul>

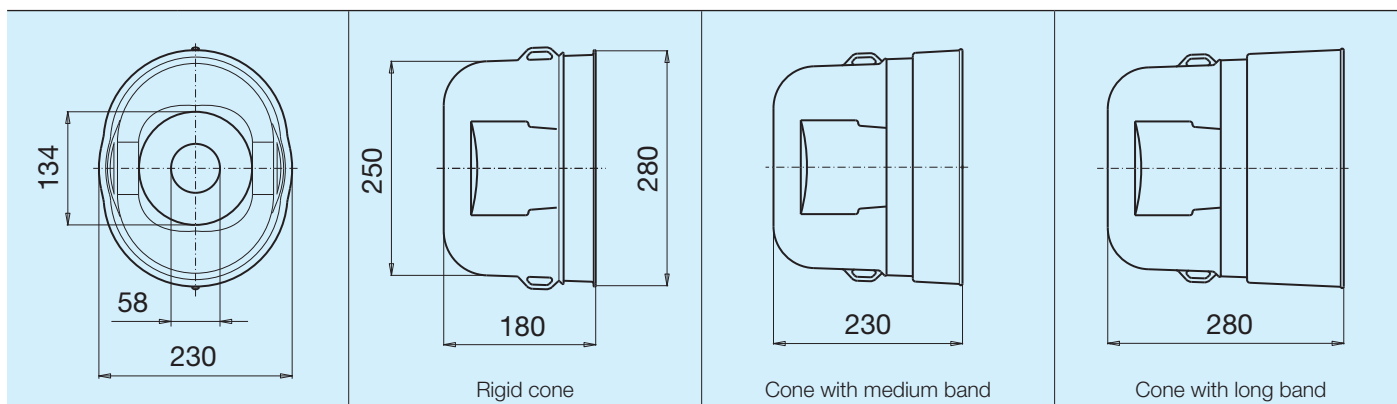
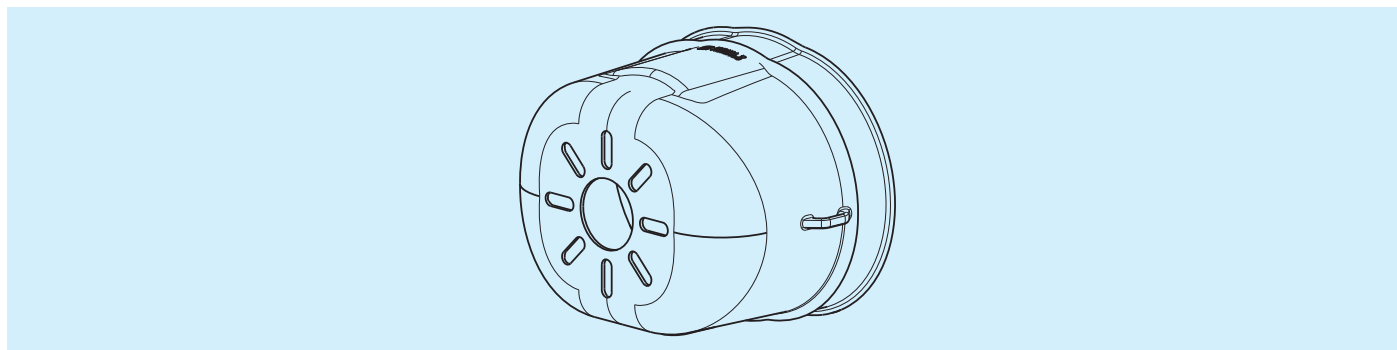
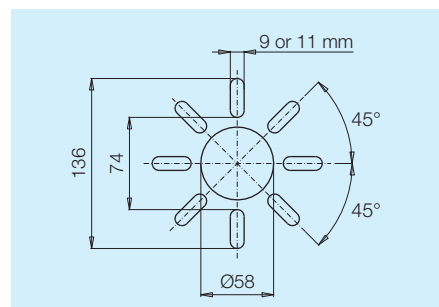
## Oval shape implement input connection shields

CF IIC shields with oval shape are available in only one size with or without fixing slots. The flat fixing surface has a diameter of 134 mm, the slots are 31 mm long and 9 or 11 mm wide.

It's recommendable that the implement manufacturer provide for a solid and sturdy mounting by screws and washers on the flat bottom surface.

Flexible extensions, available in two different lengths, can be attached to the rigid body to increase the overlap with the drive-line guard and allow joint articulation.

Oval shape IIC shields can be supplied with one or two windows that give access for the installation of the driveline or checking that is properly secured.



## Oval implement input connection shields without access windows

Code	without slots	21904CE	41704CE	41714CE
	with slots 9x31	219000A09CE	517000A01CE	517000A02CE
	with slots 11x31	219000A11CE	517000A03CE	517000A04CE

## Oval implement input connection shields with one access window

Code	without slots	2190401CE	4170401CE	4171401CE
	with slots 9x31	219000C19CE	517000C01CE	517000C02CE
	with slots 11x31	219000C21CE	517000C03CE	517000C04CE

## Oval implement input connection shields with two access windows

Code	without slots	2190402CE	4170402CE	4171402CE
	with slots 9x31	219000E19CE	517000E01CE	517000E02CE
	with slots 11x31	219000E21CE	517000E03CE	517000E04CE

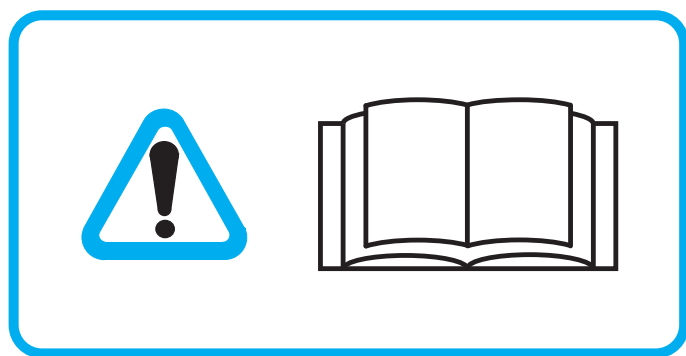
# 100



**BONDIOLI  
& PAVESI**







The safety of the end user depends upon proper use and maintenance of the implement, tractor, and driveline, plus all related safety shielding. Information regarding correct driveline usage is included on the safety label and in the use and maintenance manual included with Bondioli & Pavesi drivelines. Safety labels and user's manuals in alternative languages are available to meet local requirements. If drivelines are to be used on ma-

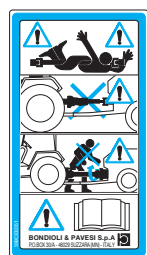
chines bound for export, contact Bondioli & Pavesi for labels and manuals. The manufacturer or purchaser must inform Bondioli & Pavesi when alternative labels or manuals are required. Read the driveline manual, and the operator's manual for the implement, before using the machine.

**YOUR SAFETY DEPENDS UPON THIS INFORMATION.**

## PRIMARY DRIVELINES FOR EEC-EFTA COUNTRIES

The primary driveline (the one that connects the tractor to the machine) sold in ECC and EFTA countries have the CE mark, safety label

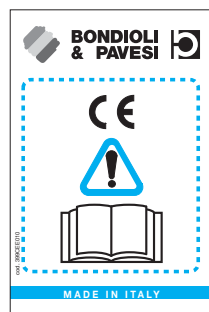
code 399CEE051 and 399143000, user manual code 399CEE010 and safety chains.



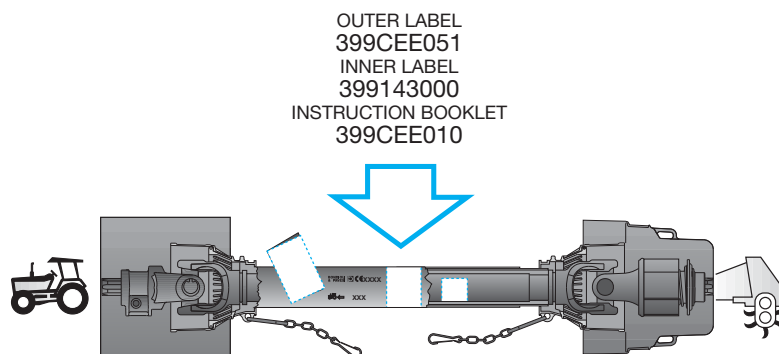
399CEE051



399143000



399CEE010



OUTER LABEL  
399CEE051  
INNER LABEL  
399143000  
INSTRUCTION BOOKLET  
399CEE010

## DRIVELINES FOR NORTH AMERICA (USA, Canada and Mexico)

Drivelines sold in North America (USA, Canada and Mexico) are equipped with safety labels code

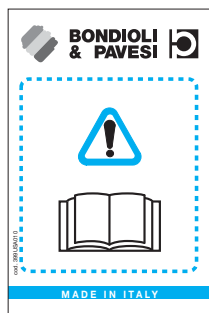
399141000 and 399143000 and have the user's manual code 399USA010.



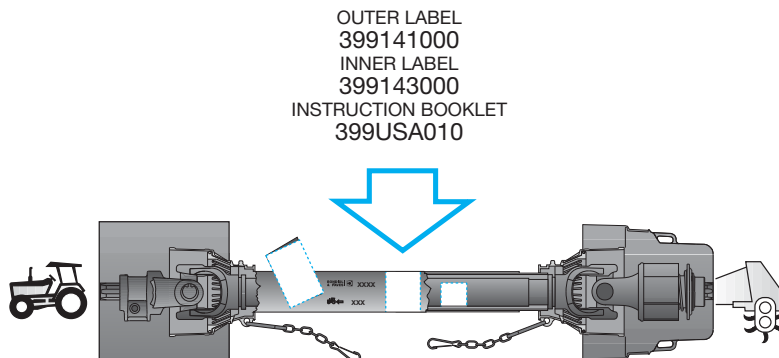
399141000



399143000



399USA010



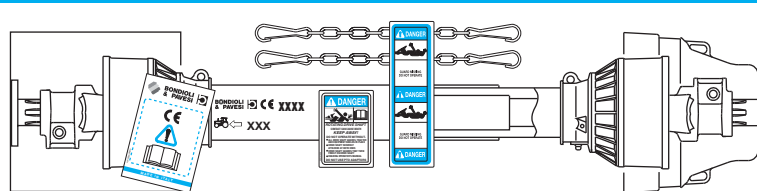
OUTER LABEL  
399141000  
INNER LABEL  
399143000  
INSTRUCTION BOOKLET  
399USA010

Size	540 min <sup>-1</sup> Power Rating		1000 min <sup>-1</sup> Power Rating		2 100-400 G-DG-GF For joints produced prior to 2005	2a 100-400 G-DG-GF For joints produced starting 2005	CV JOINTS 80°/50°	100-400 G-DG-GF
	kW	CV	kW	CV				
1	12	16	18	25	A=22 B=54,0	A=22 B=54	---	62,8
2	15	21	23	31	A=23,8 B=61,3	A=23,8 B=61,3	---	71,6
3	22	30	35	47	A=27 B=70	---	---	79,5
4	26	35	40	55	A=27 B=74,6	A=27 B=74,6	---	86
5	35	47	54	74	A=30,2 B=79,4	A=30,2 B=79,4	---	92,9
6	47	64	74	100	A=30,2 B=91,4	A=30,2 B=91,4	A=27 B=100	105,1
7	55	75	87	118	A=35 B=93,5	A=35 B=93,5	---	108,5
8	70	95	110	150	A=35 B=106	A=35 B=106	A=30,2 B=106	119,8
9	88	120	140	190	A=41 B=108	---	---	119
10	106	145	170	230	A=41 B=118	---	---	130,5


SIZE 3, 9, AND 10 ARE NOT AVAILABLE AS COMPLETE DRIVELINES - COMPONENT PARTS MAY BE AVAILABLE.

PACKAGE QUANTITIES: THE NUMBER FOLLOWING THE LETTER "R" IN THE CODE INDICATES THE NUMBER OF PIECES IN EACH PACK. FOR EXAMPLE, 341036000R10 INDICATES THAT EACH PACKAGE CONTAINS 10 ROLL PINS.

WARNING!

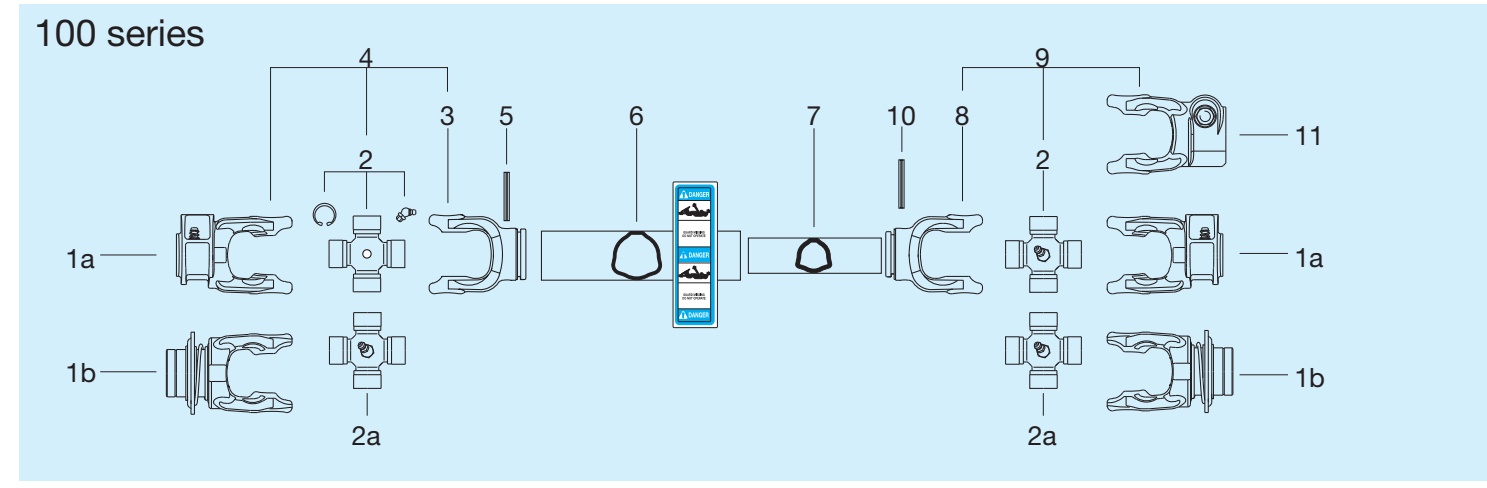


**MACHINERY DIRECTIVE 2006/42/CEE**  
With reference to the above mentioned directives dated January 1, 1995, in the CEE and EFTA member states, primary drivelines placed on the market and put into service must meet the essential safety requirements and will bear the brand and declaration of conformity.



1a	1b	3	4	5	6	7	8	9
1 3/8" Z6	1 3/8" Z6	OUTER TUBE YOKE	JOINT FOR OUTER TUBE	ROLL PIN FOR OUTER TUBE	OUTER DRIVE TUBE	INNER DRIVE TUBE	INNER TUBE YOKE	JOINT FOR INNER TUBE
5070B0355	5720B0355	Ø 40 204016851	71G1049007	341036000R10	A 2,6 - B 32,5 125033000R06	A 4 - B 26,5 125023000R06	Ø 34 204016852	71G1050007
5070C0355	5720C0355	Ø 47 204026851	71G2049007	341048000R10	A 3,2 - B 36 125053000R06	A 4 - B 29 125043000R06	Ø 40 204026852	71G2050007
572030351*	---	204036851	71G3049T07*	341038000R10	A 3,4 - B 43,5 125083000R06	A 3,2 - B 36 125053000R06	204036852	71G3050S07*
572030361*	---	---	---	---	125083000R06	125053000R06	---	---
5070E0355	5720E0355	Ø 53 204046851	71G4049007	341038000R10	A 3,4 - B 43,5 125083000R06	A 3,2 - B 36 125053000R06	Ø 46 204046852	71G4050007
5070E0355	5720E0355	Ø 53 204046851	71G4049007	341038000R10	A 3,4 - B 43,5 125083000R06	A 4 - B 36 125073000R06	Ø 46 204046852	71G4050007
5070G0355	5720G0355	Ø 62 204056860	71G5049007	341053000R10	A 3 - B 51,5 125103000R06	A 3,8 - B 45 125973000R06	Ø 53 204056861	71G5050007
5070H0355	5720H0355	Ø 68 204066851	71G6049007	341042000R10	A 4 - B 54 125123000R06	A 4,2 - B 45 125093000R06	Ø 59 204066852	71G6050007
5070L0355	5720L0355	Ø 68 204176851	71G7049007	341042000R10	A 4 - B 54 125123000R06	A 5,5 - B 45 125113000R06	Ø 59 204176852	71G7050007
5070M0355	5720M0351	Ø 80 204086860	71G8049007	341054000R10	A 4 - B 63 125223000R06	A 4 - B 54 125123000R06	Ø 68 204086861	71G8050007
572090351*	---	204196851	71G9049T07*	341054000R10	A 4 - B 63 125223000R06	A 5 - B 54 125133000R06	204196852	71G9050S07*
572090361*	---	---	---	---	125223000R06	125133000R06	---	---
572100351*	---	204106851	71G0049T07*	341044000R10	A 5,6 - B 66 125153000R06	A 6 - B 54 125143000R06	204106852	71G0050S07*
572100361*	---	---	---	---	125153000R06	125143000R06	---	---

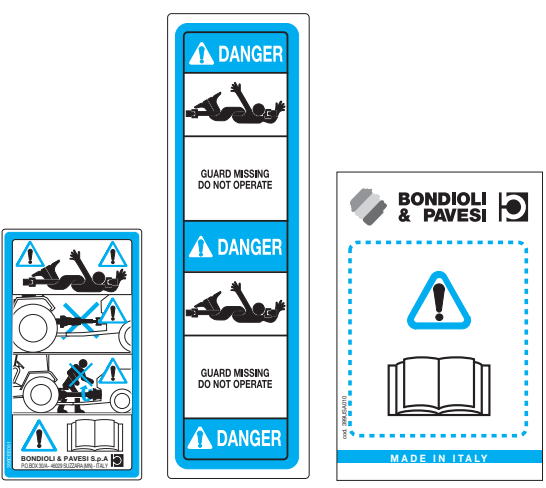
\* Yokes in size 3, 9, and 10 are only available with RS Twist Collar connection.  
The codes for the tubes reference the 3 meter lengths packaged in multiples of 6 pieces.



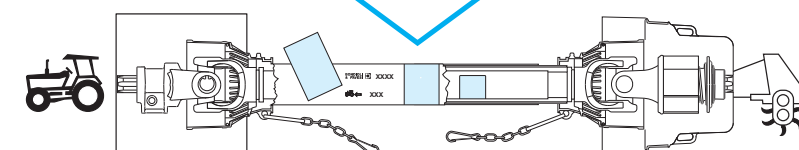
Guards removed for illustration purposes only. Make sure all driveline, tractor, and equipment shields are in place before operation.

**NON-PRIMARY DRIVELINES FOR EEC/EFTA COUNTRIES AND DRIVELINES FOR NON-EEC/EFTA COUNTRIES**

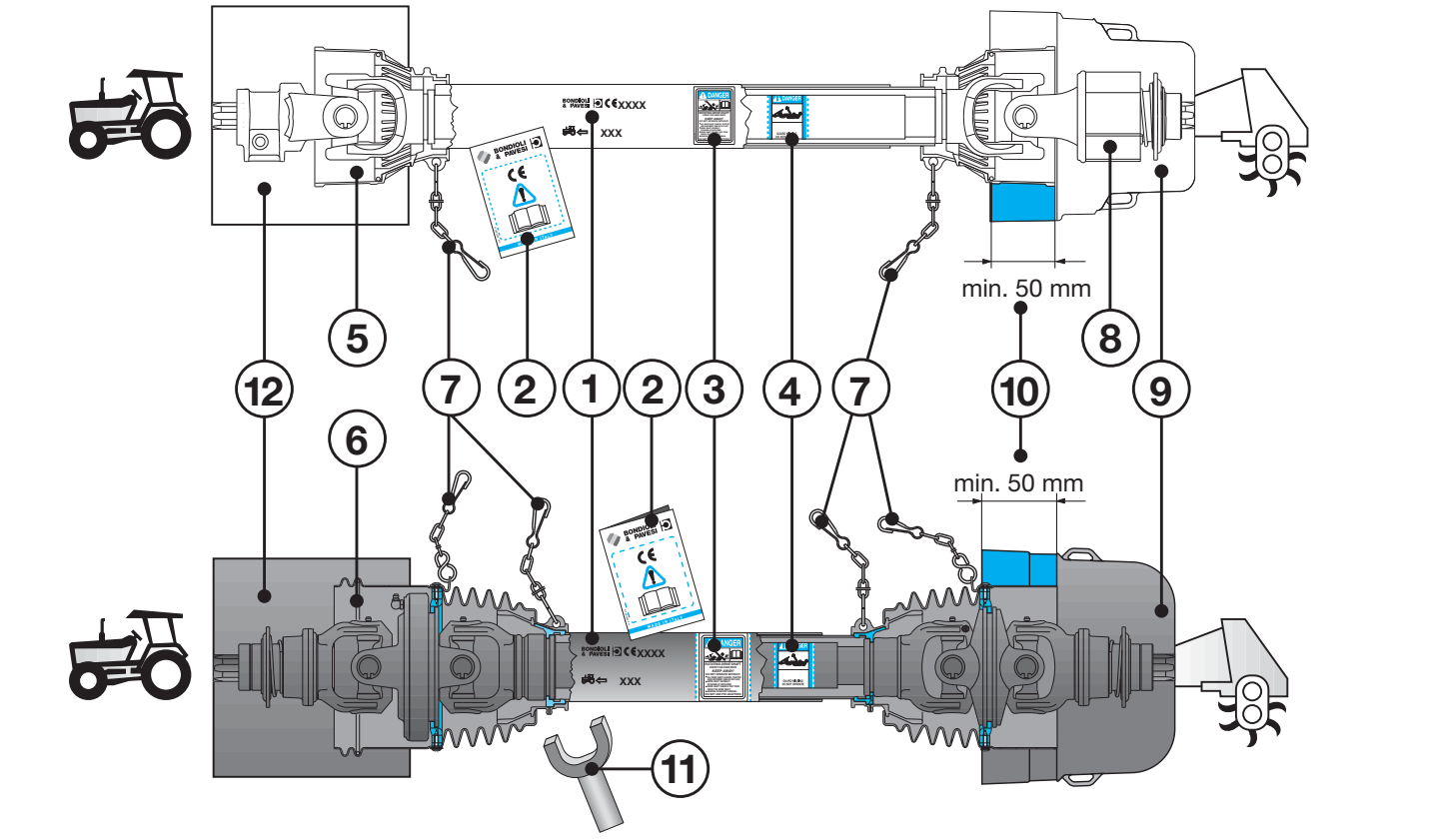
Drivelines internal to the machine or sold to non-EEC/EFTA countries do not require the CE mark. They are equipped with safety labels code 399CEE051 and 399143000, and have the users manual code 399USA010.



OUTER LABEL 399CEE051  
INNER LABEL 399143000  
INSTRUCTION BOOKLET 399USA010

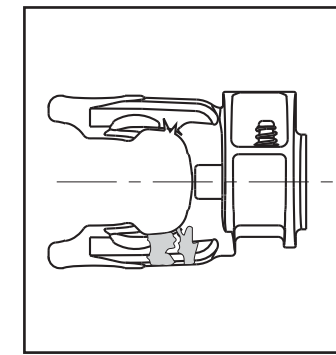
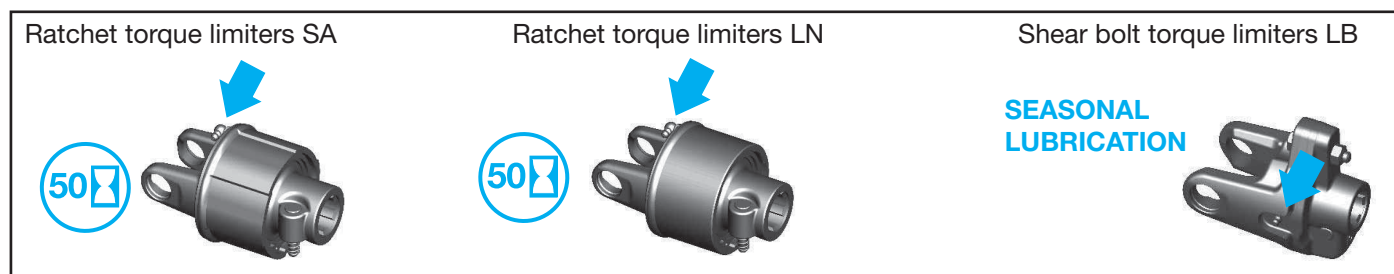
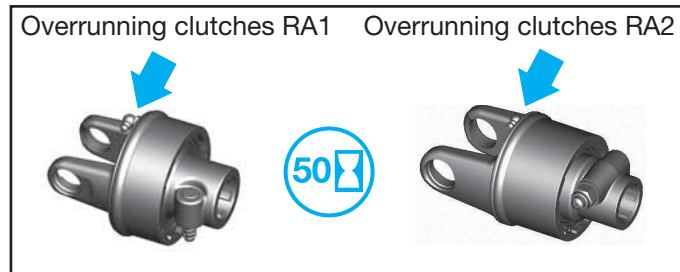
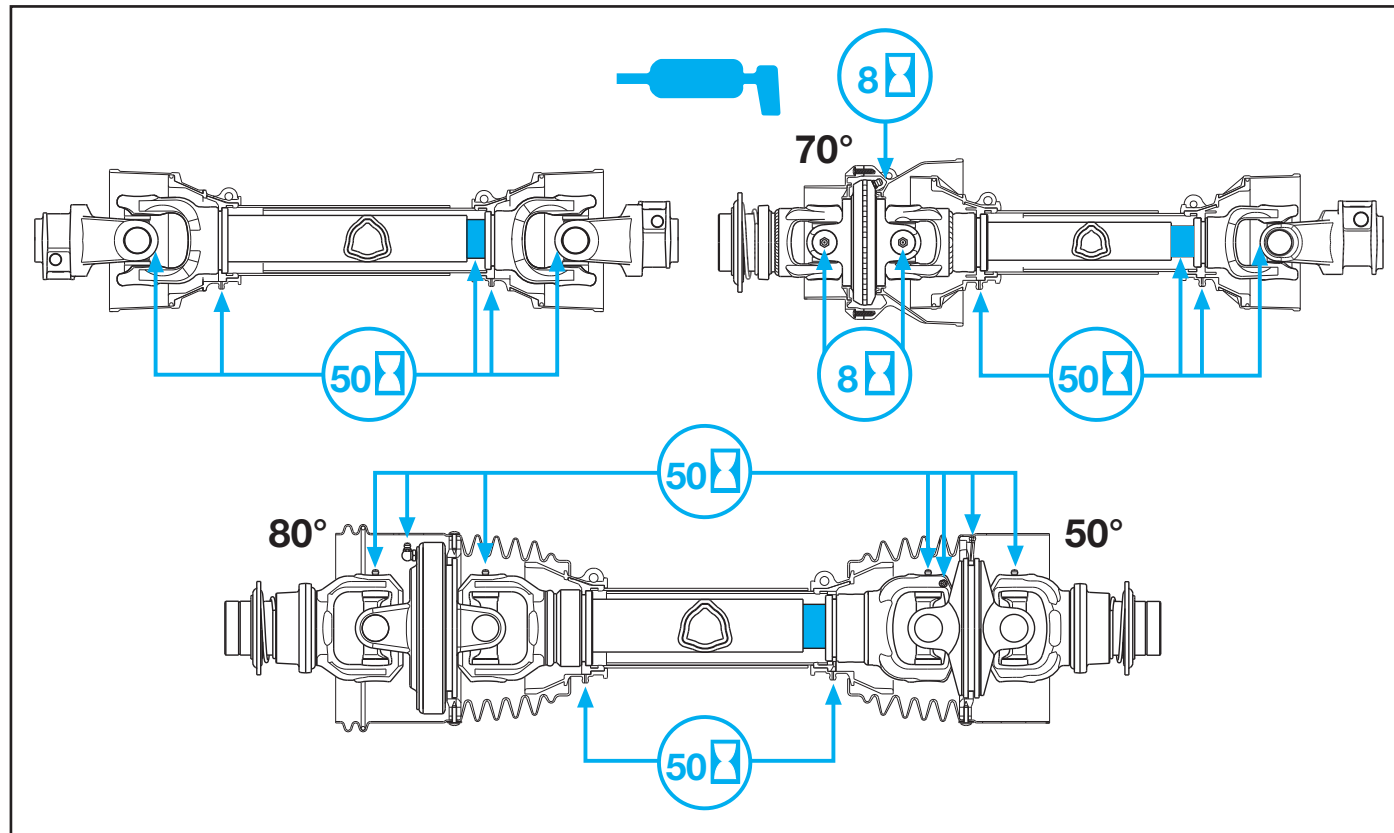


**CE - SAFETY FEATURES**



- 1 Driveline identification, CE mark
- 2 Operating instructions, CE-Declaration of Conformity
- 3 Safety label on shield tube
- 4 Safety label on telescoping members
- 5 Cone length at least to the end of the inboard joint
- 6 Cone length at least to the end of the outer joint
- 7 Safety chains
- 8 Torque limiters or overrunning clutch on the implement side only
- 9 The implement must provide PIC shielding
- 10 Minimum overlap in straight position
- 11 Support for the PTO drive shaft when the machine is uncoupled
- 12 Tractor master shield

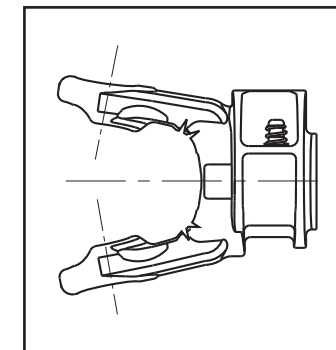
AFTER ANY MAINTENANCE OR REPAIR, ALWAYS REPLACE ALL GUARDS AND SHIELDS!



**WEAR OF YOKE EARS**

EXCESSIVE WORKING ANGLE

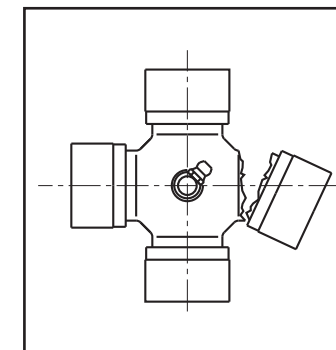
- Reduce working angle.
- Disengage PTO when joint angle exceeds 45°.



**DEFORMATION OF YOKE EARS**

EXCESSIVE TORQUE PEAK OR SHOCK LOAD

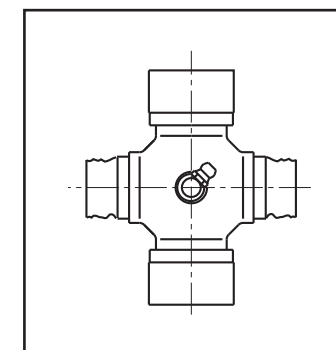
- Avoid overloading and engaging drive under load.
- Check function of torque limiter.



**CROSS ARMS BROKEN**

EXCESSIVE TORQUE PEAK OR SHOCK LOAD

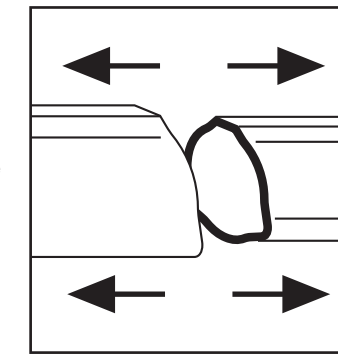
- Avoid overloading and engaging drive under load.
- Check function of torque limiter.



**ACCELERATED WEAR OF CROSS ARMS**

EXCESSIVE LOAD

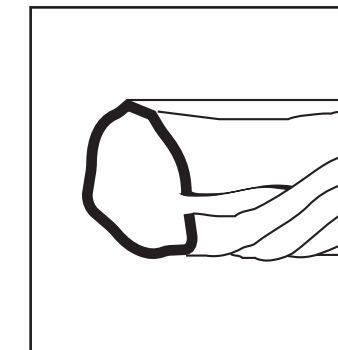
- Do not exceed the speed or power limits indicated in the instruction manual.
- INSUFFICIENT LUBRICATION
- Follow instructions in chapter "Lubrication and maintenance".



**SEPARATION OF TELESCOPING TUBES**

EXCESSIVE EXTENSION OF DRIVELINE

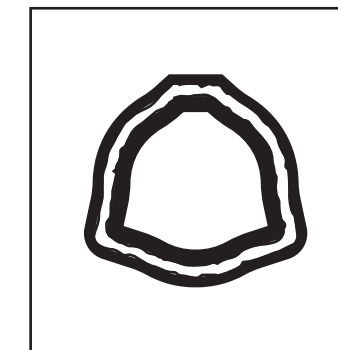
- Avoid excessive extension of driveline.
- For stationary machinery: position the tractor so that the telescoping tubes overlap as illustrated in chapter "Working conditions".
- Check extension of drawbar hitch according to the instruction manual.



**DEFORMATION OF TELESCOPING TUBES**

EXCESSIVE TORQUE PEAK OR SHOCK LOAD

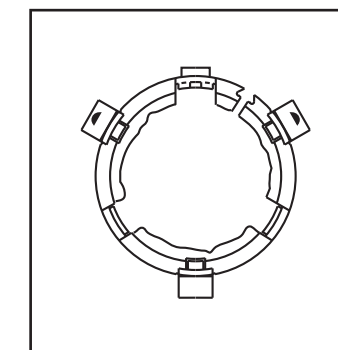
- Avoid overloading and engaging drive under load.
- Check functioning of torque limiter.
- Check that driveline does not come into contact with tractor or implement components during movement.



**ACCELERATED WEAR OF TELESCOPING TUBES**

INSUFFICIENT LUBRICATION

- Follow instructions in chapter "Lubrication Intervals."
- INSUFFICIENT TUBE OVERLAP
- Follow instruction in chapter "Safety and working conditions."



**ACCELERATED WEAR OF SHIELD BEARING**

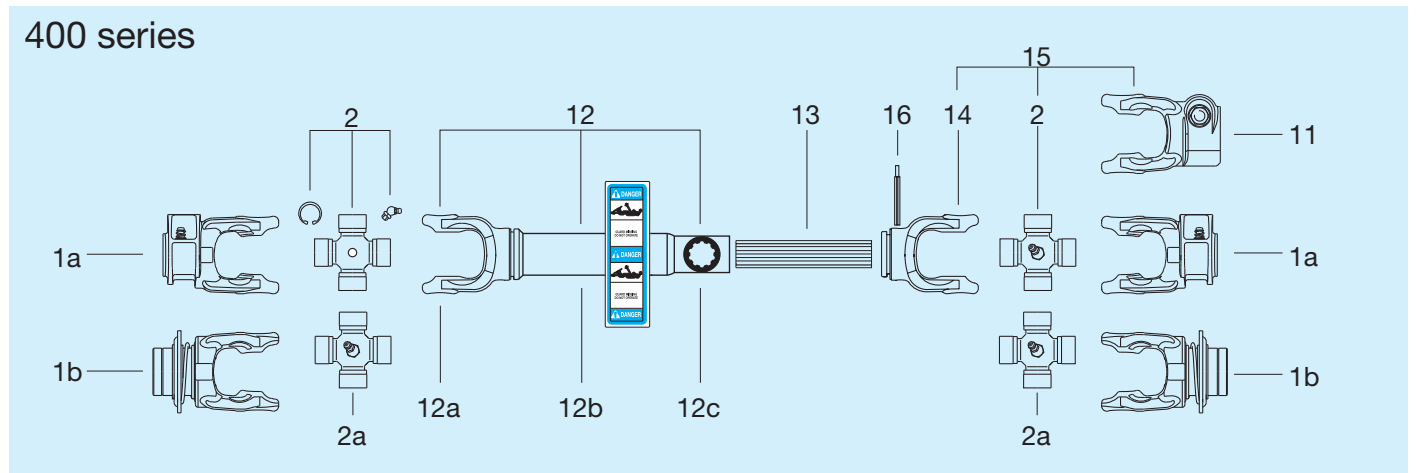
INSUFFICIENT LUBRICATION

- Follow instructions in chapter "Lubrication intervals."

10	12*	12a	12b**	12c	13**	14	15	16
ROLL PIN FOR INNER TUBE	YOKE & SPLINED SLEEVE ASSEMBLY	WELD YOKE ROUND TUBE	ROUND TUBE	SPLINED SLEEVE	SPLINED BAR	INNER YOKE SPLINED	JOINT FOR SPLINED BAR	ROLL PIN FOR SPLINED BAR
341037000R10	---	204015353	13678....	226003101R05	Ø 25 - Z 10 24915....	---	71G1059007	---
341036000R10	---	204025353	13678....	226003101R05	Ø 25 - Z 10 24915....	---	71G2059007	---
341048000R10	---	204035353	13679....	226003201R05	Ø 30 - Z 10 24917....	---	71G3059S07*	---
341048000R10	---	---	---	---	---	---	---	---
341048000R10	569B40720	204045353	13679....	226003201R05	Ø 30 - Z 10 24917....	Ø 46 204043251	71G4059007	345013000R10
341002000R10	569B50710	204055353	13680....	226003301R05	Ø 35 - Z 12 24911....	Ø 53 204053361	71G5059007	345012000R10
341043000R10	569B60700	204065352	13680....	226003301R05	Ø 35 - Z 12 24911....	Ø 59 204063361	71G6059007	345001000R10
341043000R10	569B70700	204175351	13681....	226003401R05	Ø 40 - Z 14 24921....	Ø 59 204173451	71G7059007	345001000R10
341055000R10	569B80690	204085361	13681....	226003401R05	Ø 40 - Z 14 24921....	Ø 68 204083460	71G8059007	345002000R10
341055000R10	---	204195351	---	---	---	---	71G9059S07*	---
341045000R10	---	204105351	---	---	---	---	71G0059S07*	---

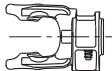
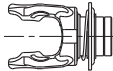

\* Code refers to a length of 810 mm (081 code)

\*\* Complete the code with the length expressed in millimeters.



Guards removed for illustration purposes only. Make sure all driveline, tractor, and equipment shields are in place before operation.

# Yokes for cardan joints

1a		1b		11			
							
1 3/8" Z21	1 3/8" Z21	1 3/4" Z6	1 3/4" Z20	1 3/8" Z6	1 3/8" Z21	1 3/4" Z6	1 3/4" Z20
5070B3755	5720B3776	---	---	---	---	---	---
5070C3755	5720C3776	---	---	---	---	---	---
572033751*	---	---	---	---	---	---	---
572033761*	---	---	---	---	---	---	---
5070E3755	5720E3755	---	---	5090E0360	5090E3760	---	---
5070E3755	5720E3755	---	---	5090E0360	5090G3760	---	---
5070G3755	5720G3755	5720G0455	5720G3855	5090G0360	5090H3760	5090G0460	5090G3860
5070H3755	5720H3755	5720H0455	5720H3855	5090H0360	5090H3760	5090H0460	5090H3860
5070L3755	5720L3755	5720L0455	5720L3855	5090L0360	5090L3760	5090L0460	5090L3860
5070M3755	5720M3751	5720M0451	5720M3851	5090M0360	5090M3760	5090M0460	5090M3860
572093751*	---	---	---	---	---	---	---
572093761*	---	---	---	---	---	---	---
572103751*	---	---	---	---	---	---	---
572103761*	---	---	---	---	---	---	---

\*Yokes in size 3, 9, and 10 are only available with RS Twist Collar connection.

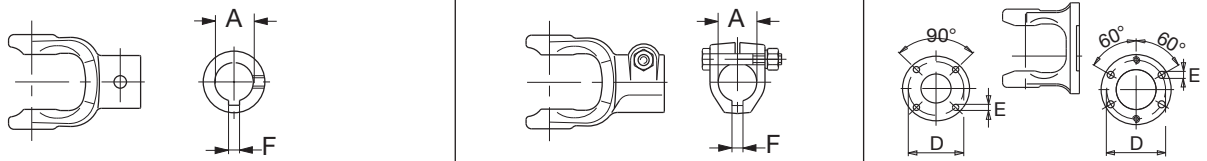
## Quick disconnect (QD) pins

	1 - 2	3	43 - 4	5	6	7	8	9 - 10
1 3/8" Z6	403000021R10	403000001R10	403000001R10	403000001R10	403000001R10	403000032R10	403000032R10	403000013R10
1 3/8" Z21	403000021R10	403000001R10	403000001R10	403000001R10	403000001R10	403000032R10	403000032R10	403000013R10
1 3/4" Z6	---	---	---	---	---	---	---	403000012R10
1 3/4" Z20	---	---	---	---	---	---	---	403000012R10

## Taper pin kits

Use pin that fits completely into hub. Discard other pins and nut.  
Use tapered nut ONLY with pin (C) and yoke with counter-sunk hole.

	1 - 2	3	43 - 4	5	6	7	8	9 - 10
1 3/8" Z6	---	408000060	408000075R	408000075R	408000075R	408000075R	408000075R	408000060
1 3/8" Z21	---	408000060	408000075R	408000075R	408000075R	408000075R	408000075R	408000060
1 3/4" Z6	---	---	---	408000076R	408000076R	408000076R	408000076R	408000061
1 3/4" Z20	---	---	---	408000076R	408000076R	408000076R	408000076R	408000061



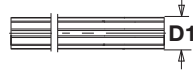
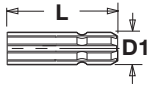
(053)	(054)	(055)	(035)	(036)	(090)
A 25 - F 8	A 30 - F 8	---	A 30 - F 8	---	D 74,5 - E 8,5
2120B6155	2120B6255	---	509016252	---	221017153
A 25 - F 8	A 30 - F 8	---	A 30 - F 8	---	D 74,5 - E 8,5
2120C6155	2120C6255	---	509026252	---	221027153
A 25 - F 8	A 30 - F 8	A 35 - F 10	A 30 - F 8	A 35 - F 10	D 84 - E 10,5
212036151	212036251	212036351	509036252	509036352	221037153
---	A 30 - F 8	A 35 - F 10	A 30 - F 8	A 35 - F 10	D 84 - E 10,5
---	2120E6255	212046351	509046252	509046352	221047153
---	A 30 - F 8	A 35 - F 10	A 30 - F 8	A 35 - F 10	D 84 - E 10,5
---	2120E6255	212046351	509046252	509046352	221047153
---	---	---	---	A 35 - F 10	D 94 - E 10,5
---	---	---	---	509056352	221057153
---	---	---	---	A 35 - F 10	D 101,5 - E 12,5
---	---	---	---	509066352	221067153
---	---	---	---	---	D 120 - E 15
---	---	---	---	---	221177151
---	---	---	---	---	D 120 - E 15
---	---	---	---	---	221087153
---	---	---	---	---	D 150 - E 17
---	---	---	---	---	221197151
---	---	---	---	---	D 150 - E 17
---	---	---	---	---	221107151

	Øa	b	c	e	Ød	Code	
	13,85	14,2	23	37,2	8	403000020R10	
	13,85	20	27	47	8	403000001R10	
	13,85	27	27	54	8	403000009R10	
	13,85	27	38,5	65,5	8	403000002R10	
	13,85	29	37,5	66,5	8	403000010R10	
	15,85	28	29,5	57,5	8	403000008R10	
	15,85	25	35	60	8	403000012R10	
	15,85	30,5	38	68,5	8	403000011R10	
	---	---	---	---	---	---	---
	---	---	---	---	---	---	---

	Øa	b/b1	c	d	e	f	Code
	13,85	74,5	22	12	11	29,5	401000001R10
	13,85	74,5	21	14,5	10	29	401000002R10
	13,85	79,5	22	12	11	34,5	401000006R10
	13,85	81	20	22,5	10	28,5	401000009R10
	13,85	91,5	27	22,5	10	32	401000028R10
	13,85	91,5	33	13	13,5	32	401000033R10
	15,85	83,5	23,5	22	9,5	28,5	401000007R10
	15,85	83,5	26	14,5	13	30	401000021R10
	15,85	87	25	15	14	33	401000010R10
	15,85	94,5	32	15,5	13,5	33,5	401000026R10
	15,85	94,5	30	22	9,5	33	401000037R10
	12,85	35	11	11	13	---	401000003R10
	12,85	37,5	13	11,5	13	---	401000011R10

Ball collar repair kits 

	1	2	43 - 4	5	6	7	8
<b>1 3/8" Z6</b>	435000320R	435000320R	435000321R	435000321R	435000321R	435000322R	435000332R
<b>1 3/8" Z21</b>	435000300R	435000300R	435000321R	435000321R	435000321R	435000322R	435000332R
<b>1 3/4" Z6</b>	---	---	---	435000418R	435000418R	435000419R	435000425R
<b>1 3/4" Z20</b>	---	---	---	435000418R	435000418R	435000419R	435000425R



		<b>L</b>		<b>*</b>			<b>L</b>
<b>1 1/8" Z6</b>	262000106R02	90	<b>1 1/8" Z6</b>	14931....	<b>1 1/8" Z6</b>	226000105R05	80
<b>1 3/8" Z6</b>	262000345R02	90	<b>1 3/8" Z6</b>	14933....	<b>1 1/8" Z6</b>	226000106R05	100
<b>1 3/4" Z6</b>	262000415R02	90	<b>1 3/4" Z6</b>	14934....	<b>1 3/8" Z6</b>	226000305R05	80
	---	---		---	<b>1 3/8" Z6</b>	226000306R05	100
	---	---		---	<b>1 3/8" Z6</b>	226000327R05	130
	---	---		---	<b>1 3/4" Z6</b>	226000405R05	80
	---	---		---	<b>1 3/4" Z6</b>	226000406R05	100

\* Complete the code with the length in mm.



# SERIES OUT OF PRODUCTION - ONLY AVAILABLE AS SPARE PARTS

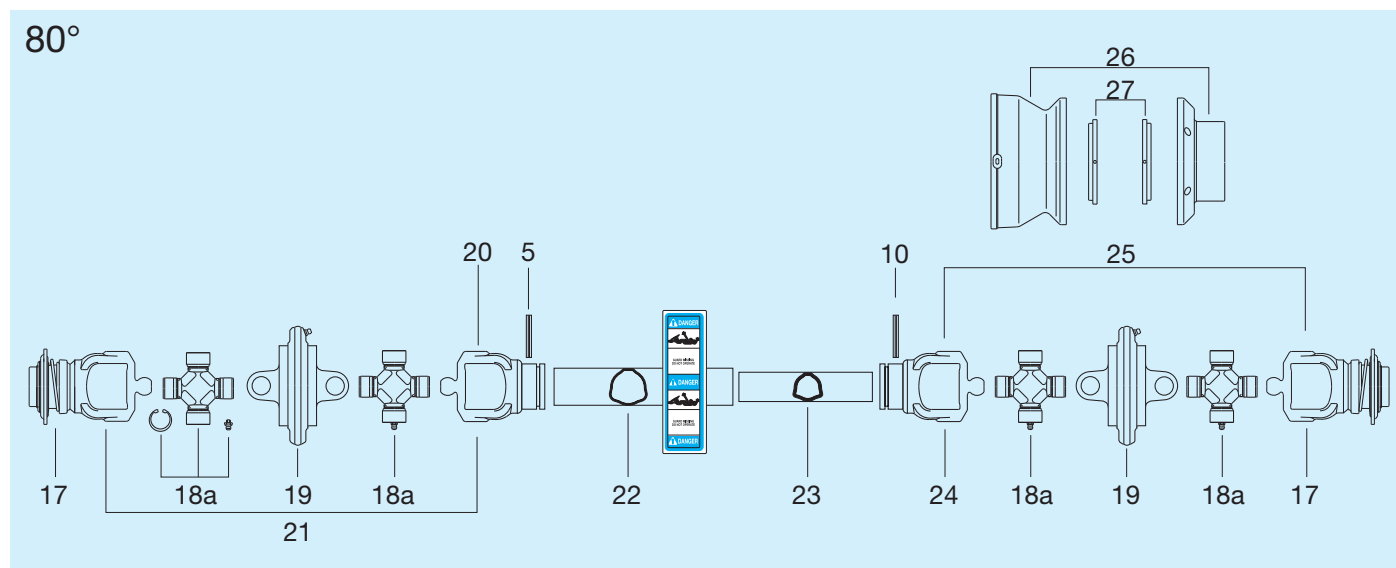
## 650 - 660 - 670 series CV joint driveshaft components

# 100

17		18a		19	20	24	21	25	22	23	26	27
1 3/8" Z6	1 3/8" Z21			CV BODY	CV OUTER TUBE YOKE	CV INNER TUBE YOKE	JOINT FOR OUTER TUBE	JOINT FOR INNER TUBE	OUTER DRIVE TUBE	INNER DRIVE TUBE - RILSAN	HARDSHELL CONE WITH BEARINGS	HARDSHELL BEARING RINGS
---	---	---	---	---	---	---	---	---	---	---	---	---
Ø1 18	Ø1 18	A 23,8 - B 61,3		512020051	Ø 47 Ø1 18	Ø 40 Ø1 18	7G52049R07	7G52050R07	A 2,9 - B 36	A 4,3 - B 29,6	517027002	255020402
573020379	573023764	412020003			208026873	208026874			125183000R06	245043000R06		
---	---	---	---	---	---	---	---	---	---	---	---	---
---	---	---	---	---	---	---	---	---	---	---	---	---
Ø1 24	Ø1 24	A 23,8 - B 86		511040051	Ø 53 Ø1 24	Ø 46 Ø1 24	7G54049T07	7G54050S07	A 3,1 - B 43,5	A 4,8 - B 36,6	517048001	255040351
573040382	573043775	412040012			215046873	215046874			125163000R06	245103000R06		
---	---	---	---	---	---	---	---	---	---	---	---	---
---	---	---	---	---	---	---	---	---	---	---	---	---
Ø1 26	Ø1 26	A 30,2 - B 99,4		511060051	Ø 68 Ø1 26	Ø 59 Ø1 26	7G56049T07	7G56050S07	A 3,7 - B 54	A 4,3 - B 45,6	517068001	255060351
573060399	573063781	412060012			215066872	215066871			125173000R06	245163000R06		
---	---	---	---	---	---	---	---	---	---	---	---	---
---	---	---	---	---	---	---	---	---	---	---	---	---
Ø1 28	Ø1 28	A 35 - B 106		511080051	Ø 80 Ø1 28	Ø 68 Ø1 28	7G58049T07	7G58050S07	A 3,7 - B 63	A 4,3 - B 54,6	517088001	255080351
573080399	573083799	412080012			215086870	215086869			125213000R06	245693000R06		

650 SERIES CV DRIVELINES IN SIZES 4, 6, AND 8 ARE NO LONGER IN PRODUCTION - AVAILABLE ONLY AS COMPONENT PARTS.

The codes for the tubes reference the 3 meter lengths packaged in multiples of 6 pieces.



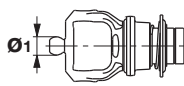
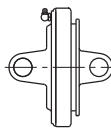
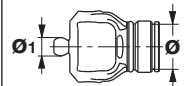
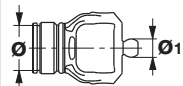
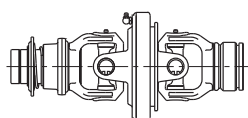
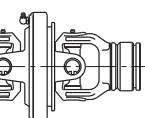

Guards removed for illustration purposes only. Make sure all driveline, tractor, and equipment shields are in place before operation.

---

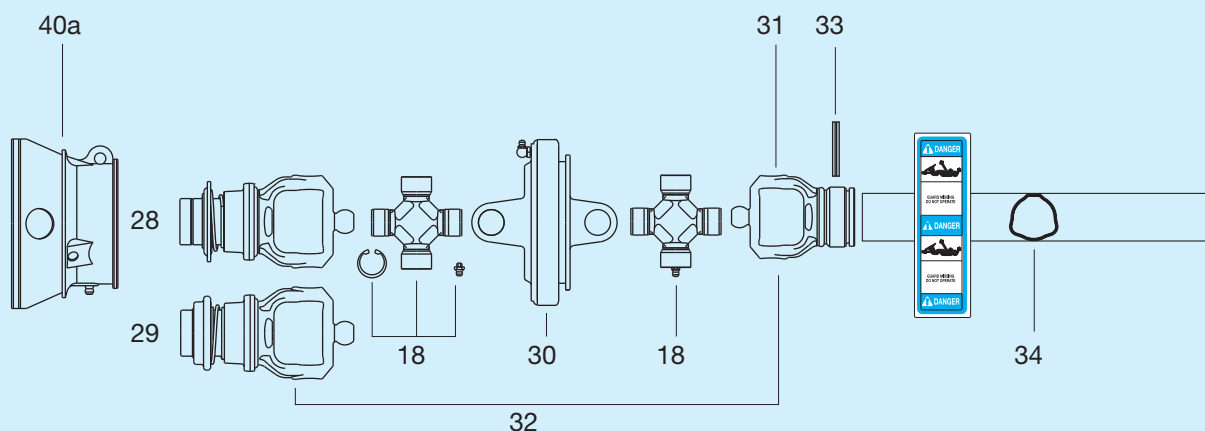
*This page is intentionally blank*

# 100 Series 80° EL CV joint driveshafts

# 100

28	30	31	36	32	38	33
						
1 3/8" Z6	CV BODY	CV OUTER TUBE YOKE	CV INNER TUBE YOKE	JOINT FOR OUTER TUBE	JOINT FOR INNER TUBE	ROLL PIN FOR OUTER TUBE
---	---	---	---	---	---	---
Ø1 21 5730C0377	5110C0053	Ø1 21 2150C6864	Ø1 21 2150C6865	---	---	341048000R10
---	---	---	---	---	---	---
---	---	---	---	---	---	---
Ø1 24 5730E0384	5110E0052	Ø 53 Ø1 24 2150E6885	Ø 46 Ø1 24 2150E6887	71G4W49WR7	71G4W50WR7	341038000R10
---	---	---	---	---	---	---
Ø1 28 5730G0384	5110G0061	Ø 68 Ø1 28 2150G6885	Ø 59 Ø1 28 2150G6887	71G6W49WR7	71G6W50WR7	341042000R10
---	---	---	---	---	---	---
Ø1 34 5730L0384	5110L0063	Ø 80 Ø1 34 2150L6873	Ø 68 Ø1 34 2150L6874	71G8W49WR7	71G8W50WR7	341054000R10

80°

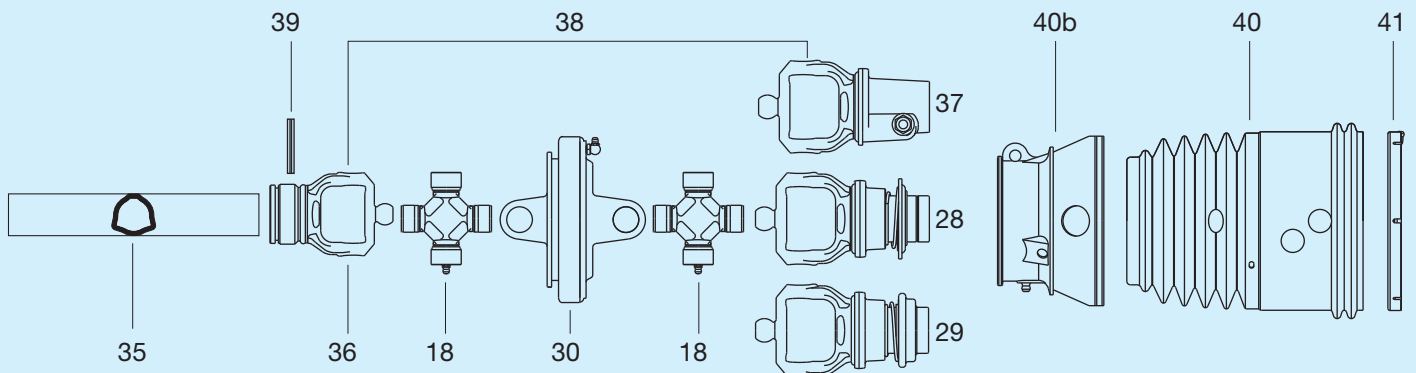


Guards removed for illustration purposes only. Make sure all driveline, tractor, and equipment shields are in place before operation.

**SERIES OUT OF PRODUCTION - ONLY AVAILABLE AS SPARE PARTS**  
**100** 100 Series 80° EL CV joint driveshafts

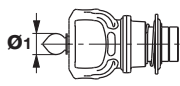
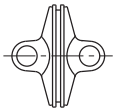

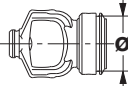
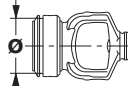
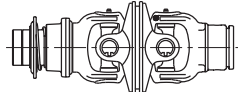
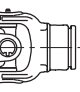

34	35*	39	40a	40b	40	41
OUTER TUBE	INNER DRIVE TUBE - RILSAN	ROLL PIN FOR INNER TUBE	CONE FOR OUTER TUBE	CONE FOR INNER TUBE	SHIELD CONE	CV SHIELD CONE BEARING RING
---	---	---	---	---	---	---
---	---	---	---	---	---	---
---	---	---	---	---	---	---
---	---	---	---	---	---	---
A 3,1 - B 43,5 125163000R06	A 4,3 - B 36,6 245103000R06	341048000R10	254040020	254040021	2190E0127	2550E0005R02
---	---	---	---	---	---	---
A 3,7 - B 54 125173000R06	A 4,5 - B 45,6 245163000R06	341053000R10	254060020	254060021	2190G0150	2550G0024R02
---	---	---	---	---	---	---
A 3,7 - B 54 125173000R06	A 5,8 - B 45,6 245393000R06	341054000R10	254080033	254080034	517080200	2550L0023R02

The codes for the tubes reference the 3 meter lengths packaged in multiples of 6 pieces.

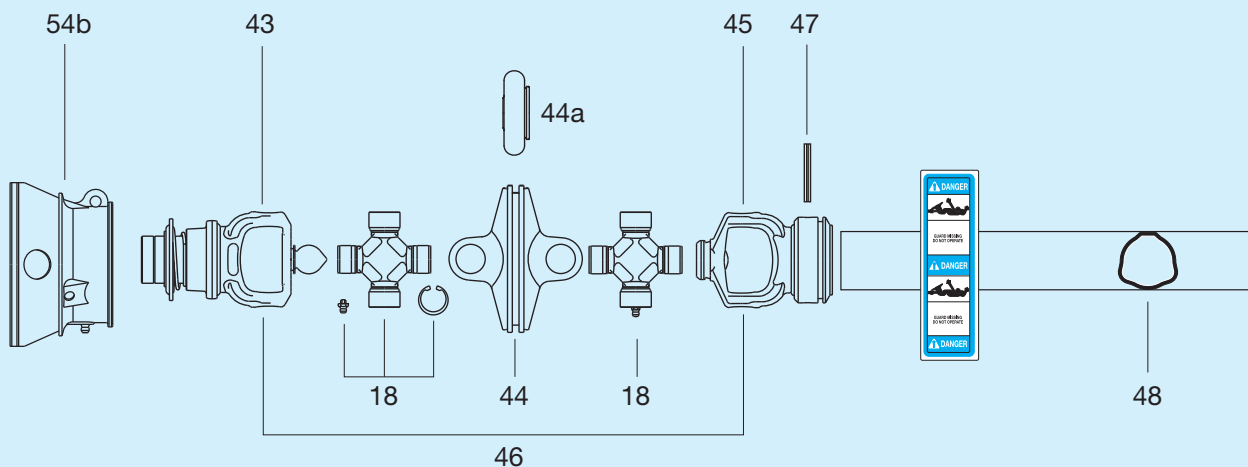


# 100 Series 50° CV joint driveshafts

# 100




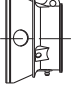

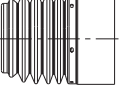

43	44	44a	45	50	46	52	47
							
1 3/8" Z6	CV BODY	RUBBER BOOT	OUTER TUBE YOKE	INNER TUBE YOKE	JOINT FOR OUTER TUBE	JOINT FOR INNER TUBE	ROLL PIN FOR OUTER TUBE
---	---	---	---	---	---	---	---
---	---	---	---	---	---	---	---
---	---	---	---	---	---	---	---
---	---	---	---	---	---	---	---
---	---	---	---	---	---	---	---
---	---	---	---	---	---	---	---
Ø1 29 5730E0353	2080E0055	246000101	Ø1 53 2080E6876	Ø1 46 2080E6875	71G4K49KR7	71G4K50KR7	341038000R10
---	---	---	---	---	---	---	---
Ø1 33 5730G0353	2080G0064	246000116	Ø1 68 2080G6885	Ø1 59 2080G6887	71G6K49KR7	71G6K50KR7	341042000R10
---	---	---	---	---	---	---	---
Ø1 33 5730L0353	2080L0064	246000116	Ø1 80 2080L6864	Ø1 68 2080L6865	71G8K49KR7	71G8K50KR7	341054000R10

50°

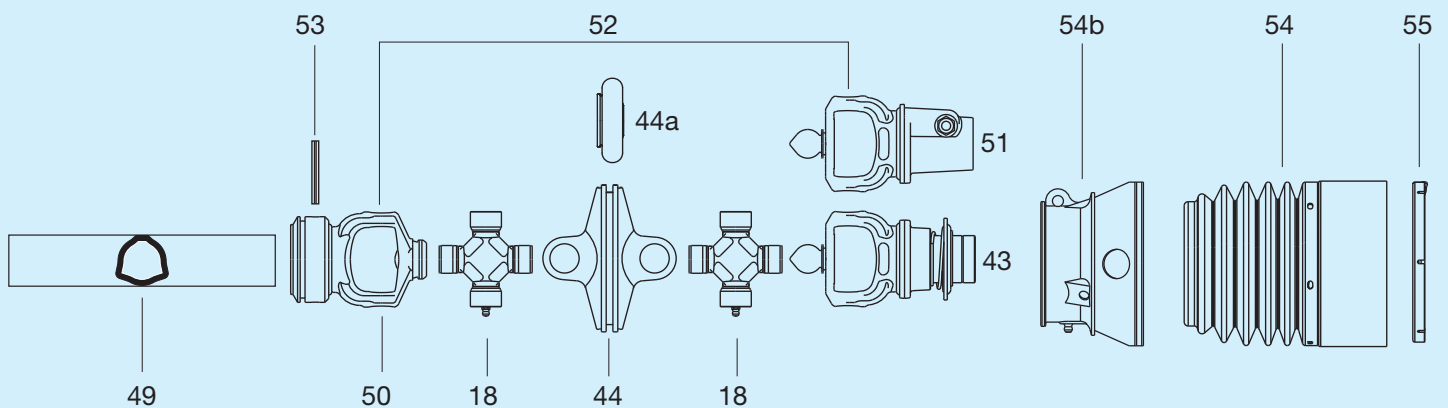


Guards removed for illustration purposes only. Make sure all driveline, tractor, and equipment shields are in place before operation.

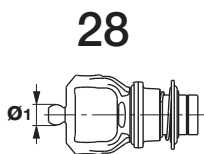
**SERIES OUT OF PRODUCTION - ONLY AVAILABLE AS SPARE PARTS**  
**100** 100 Series 50° CV joint driveshafts

48  OUTER TUBE	49  INNER TUBE	53  ROLL PIN FOR INNER TUBE	54a  CONE FOR OUTER TUBE	54b  CONE FOR INNER TUBE	54  SHIELD CONE	55  CV SHIELD CONE BEARING RING
---	---	---	---	---	---	---
---	---	---	---	---	---	---
---	---	---	---	---	---	---
---	---	---	---	---	---	---
A 3,4 - B 43,5 125083000R06	A 4 - B 36 125073000R06	341048000R10	254040020	254040021	2190E0126	2550E0005R02
---	---	---	---	---	---	---
A 4 - B 54 125123000R06	A 4,2 - B 45 125093000R06	341053000R10	254060020	254060021	2190G0153	2550G0024R02
---	---	---	---	---	---	---
A 4 - B 54 125123000R06	A 5,5 - B 45 125113000R06	341054000R10	254080033	254080034	2190L0123	2550L0023R02

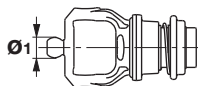
The codes for the tubes reference the 3 meter lengths packaged in multiples of 6 pieces.



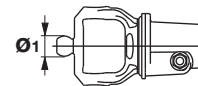
Yokes for 80° EL CV



28



29



37

1 3/8" Z21	1 3/4" Z6	1 3/4" Z20	1 3/8" Z6	1 3/8" Z21	1 3/4" Z6	1 3/4" Z20	1 3/8" Z6	1 3/8" Z21	1 3/4" Z6	1 3/4" Z20
---	---	---	---	---	---	---	---	---	---	---
Ø1 21	---	---	---	---	---	---	---	---	---	---
5730C3789	---	---	---	---	---	---	---	---	---	---
---	---	---	---	---	---	---	---	---	---	---
---	---	---	---	---	---	---	---	---	---	---
Ø1 24	Ø1 24	Ø1 24	Ø1 24	Ø1 24	Ø1 24	Ø1 24	Ø1 24	Ø1 24	---	---
5730E3784	5730E0484	5730E3884	5730E0391	5730E3791	5730E0491	5730E3891	5110E0361	5110E3761	---	---
---	---	---	---	---	---	---	---	---	---	---
Ø1 28	Ø1 28	Ø1 28	Ø1 28	Ø1 28	Ø1 28	Ø1 28	Ø1 28	Ø1 28	Ø1 28	Ø1 28
5730G3784	5730G0484	5730G3884	5730G0391	5730G3791	5730G0491	5730G3891	5110G0361	5110G3761	5110G0461	5110G3861
---	---	---	---	---	---	---	---	---	---	---
Ø1 34	Ø1 34	Ø1 34	Ø1 34	Ø1 34	Ø1 34	Ø1 34	Ø1 34	Ø1 34	Ø1 34	Ø1 34
5730L3784	5730L0484	5730L3884	5730L0391	5730L3791	5730L0491	5730L3891	5110L0361	5110L3761	5110L0461	5110L3861

Taper pin yokes should only be mounted on the implement end of primary driveshafts.

Ball collar repair kits for 80° - 50° EL CV



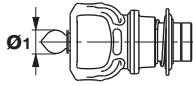
	2	4	6	8
1 3/8" Z6	435000323R	435000323R	435000323R	435000323R
1 3/8" Z21	435000323R	435000323R	435000323R	435000323R
1 3/4" Z6	---	435000420R	435000420R	435000420R
1 3/4" Z20	---	435000420R	435000420R	435000420R

Automatic ball collar repair/retrofit kits for 80°-50° EL CV

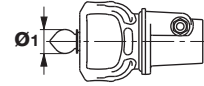


	4	6	8
1 3/8" Z6	435000311R	435000311R	435000311R
1 3/8" Z21	435000311R	435000311R	435000311R
1 3/4" Z6	435000411R	435000411R	435000411R
1 3/4" Z20	435000411R	435000411R	435000411R

**43**



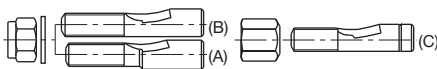
**51**



1 3/8" Z21	1 3/4" Z6	1 3/4" Z20	1 3/8" Z6	1 3/8" Z21	1 3/4" Z6	1 3/4" Z20
---	---	---	---	---	---	---
---	---	---	---	---	---	---
---	---	---	---	---	---	---
---	---	---	---	---	---	---
Ø1 29	Ø1 29	Ø1 29	Ø1 29	Ø1 29	---	---
5730E3753	5730E0453	5730E3853	5190E0352	5190E3752	---	---
---	---	---	---	---	---	---
Ø1 33	Ø1 33	Ø1 33	Ø1 33	Ø1 33	Ø1 33	Ø1 33
5730G3753	5730G0453	5730G3853	5190G0352	5190G3752	5190G0452	5190G3852
---	---	---	---	---	---	---
Ø1 33	Ø1 33	Ø1 33	Ø1 33	Ø1 33	Ø1 33	Ø1 33
5730L3753	5730L0453	5730L3853	5190L0352	5190L3752	5190L0452	5190L3852

Taper pin yokes should only be mounted on the implement end of primary driveshafts.

**Taper pin kits for 80°-50° EL CV**



Use pin that fits completely into hub. Discard other pins and nut.  
 Use tapered nut ONLY with pin (C) and yoke with counter-sunk hole.

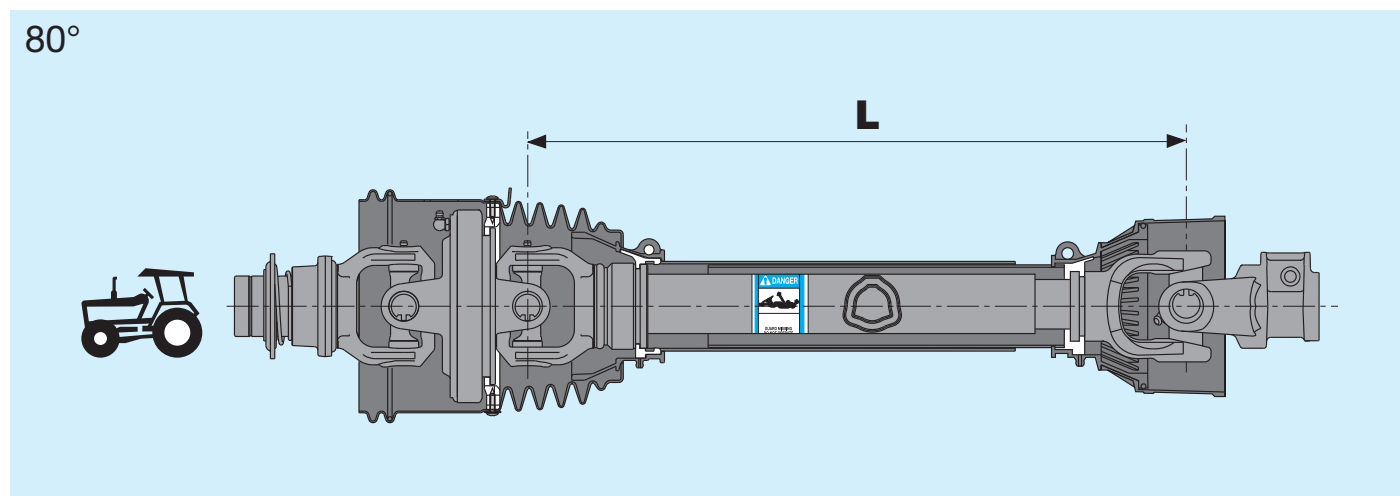
	<b>4</b>	<b>6</b>	<b>8</b>
<b>1 3/8" Z6</b>	408000075R	408000075R	408000075R
<b>1 3/8" Z21</b>	408000075R	408000075R	408000075R
<b>1 3/4" Z6</b>	---	408000076R	408000076R
<b>1 3/4" Z20</b>	---	408000076R	408000076R



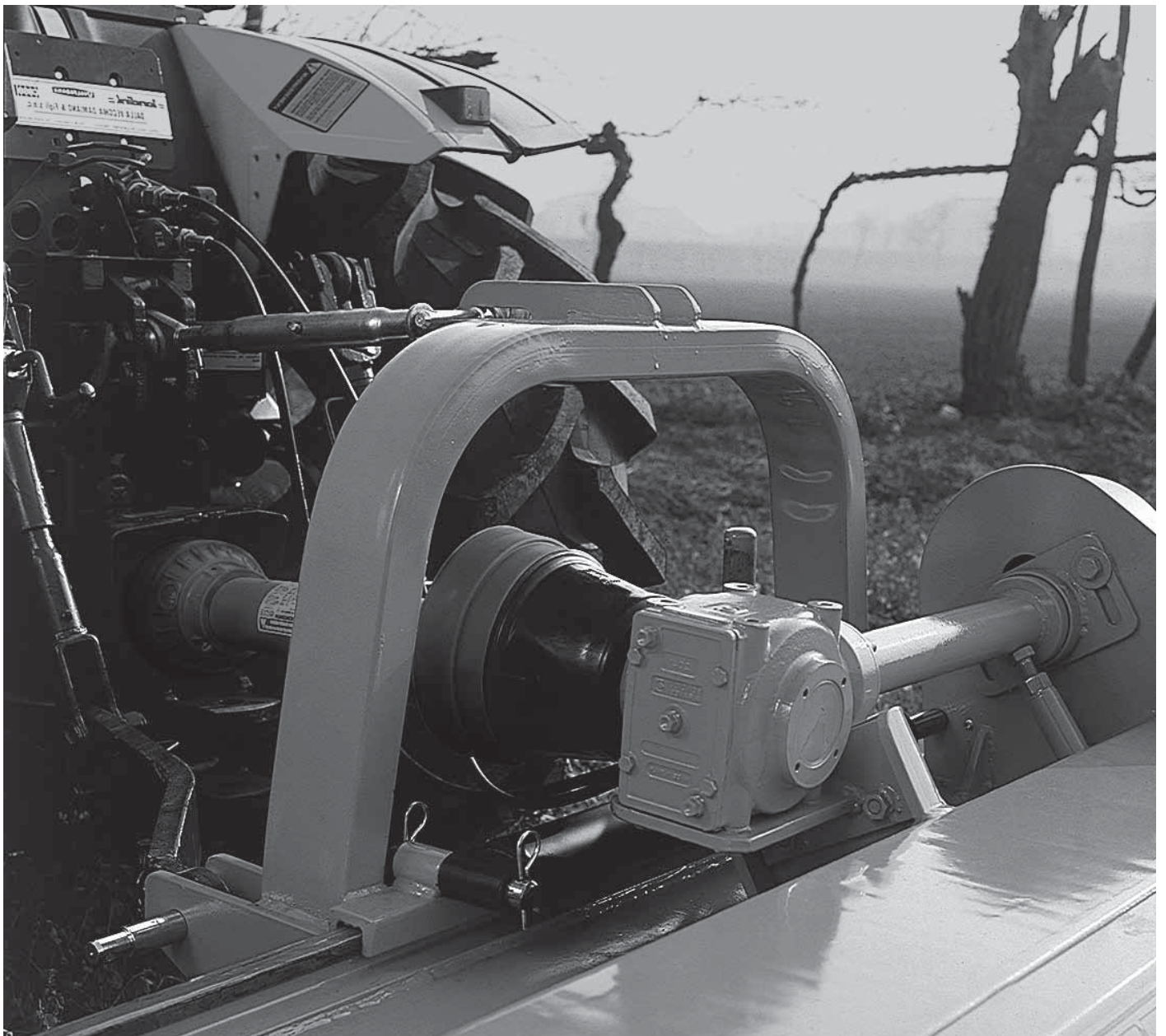
Complete driveshafts

081	101	121
810	1010	1210
---	---	---
---	---	---
---	---	---
---	---	---
---	---	---
---	---	---
---	---	---
71R4081CEWR7007	71R4101CEWR7007	71R4121CEWR7007
---	---	---
71R6081CEWR7007	71R6101CEWR7007	71R6121CEWR7007
---	---	---
71R8081CEWR7007	71R8101CEWR7007	71R8121CEWR7007

Codes above are equipped with CE mark (includes CE labels, instructions, and declaration of conformity). For other countries, the "CE" may be replaced by "U2" (for North America), "JP" (for Japan), or "FX", which will have labels and instructions according to pages 2 and 3.

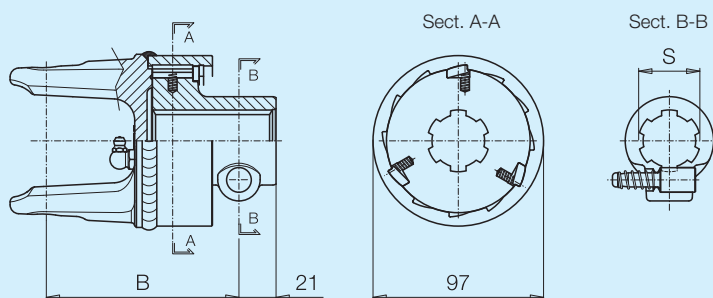


SERIES OUT OF PRODUCTION - ONLY AVAILABLE AS SPARE PARTS  
**100**

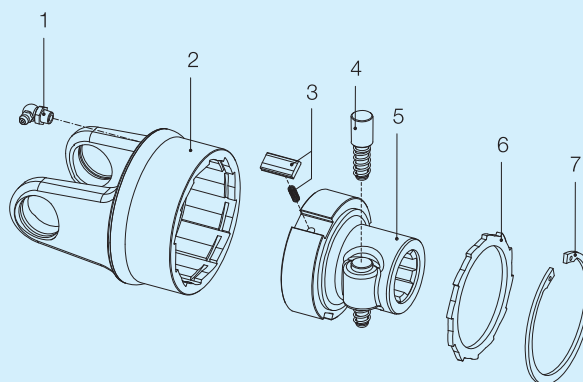


# Overrunning clutches


RA1



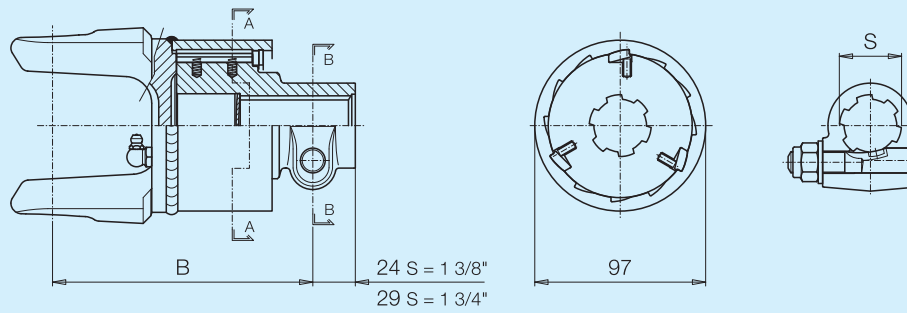
Size	B (mm)				Spare parts code			
	S	S	S	S	1 3/8" Z6	1 3/8" Z21	1 3/4" Z6	1 3/4" Z20
Maximum torque								
2400 Nm	1 3/8" Z6	1 3/8" Z21	1 3/4" Z6	1 3/4" Z20	1 3/8" Z6	1 3/8" Z21	1 3/4" Z6	1 3/4" Z20
1	94	94	---	---	601101701R	601101702R	---	---
2	100	100	---	---	601102701R	601102702R	---	---
43-4	109	109	---	---	601104701R	601104702R	---	---
5	112	112	---	---	601105704R	601105702R	---	---



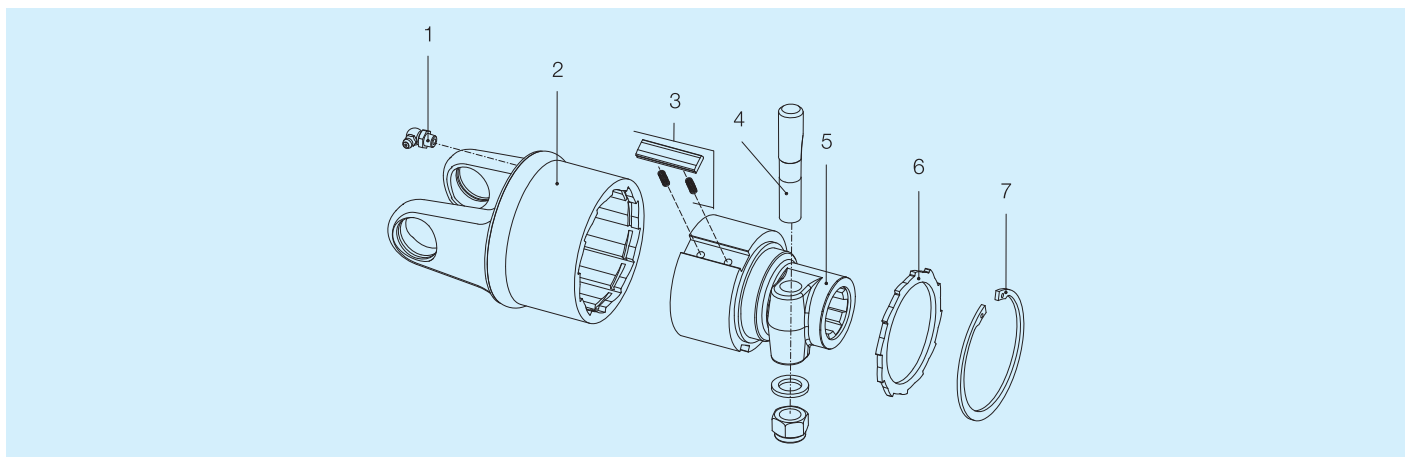
Ref.	Size	Spare parts code	Description	Technical data
1		348014000R20	Grease fitting	
2	1	418011201R	Outer housing + yoke	
	2	418021201R		
	43-4	418041203R		
	5	418051201R		
3		4210C0001R03	Pawl + spring kit	
4		403000001R10	Push-pin kit	
5		5130C0301R	Hub with push-pin	1 3/8" Z6
		5130C3701R		1 3/8" Z21
6		246000132R02	Locking plate	
7		338005000R20	Snap ring	82 x 2.5 DIN 472/1

 For primary drivelines, always install any torque limiter or overrunning clutch on the implement side. All rotating parts must be guarded.

RA2



Size Maximum torque 3800 Nm	B (mm)				Spare parts code			
	S 1 3/8" Z6	S 1 3/8" Z21	S 1 3/4" Z6	S 1 3/4" Z20	1 3/8" Z6	1 3/8" Z21	1 3/4" Z6	1 3/4" Z20
5	140	140	142	142	601205601R	601205602R	601205603R	601205604R
6	147	147	149	149	601206601R	601206602R	601206603R	601206604R
7	160	160	162	162	601217601R	601217602R	601217603R	601217604R



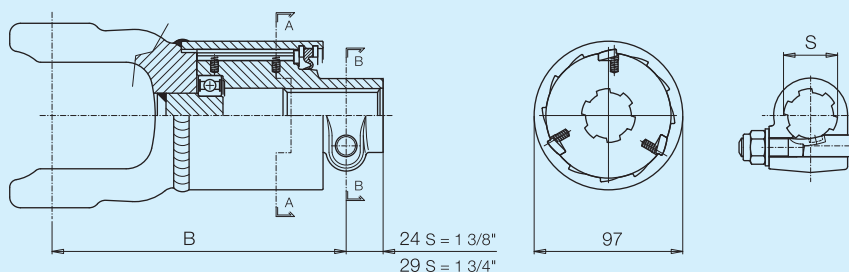
Ref.	Size	Spare parts code	Description	Technical data
1		348014000R20	Grease fitting	
2	5	418052203R	Outer housing + yoke	
	6	418062203R		
	7	418172203R		
3		4210E0001R03	Pawl + spring kit	
4		408000047R02	Taper pin	1 3/8" Z6 - Z21
		408000046R02		1 3/4" Z6 - Z20
5		5150E0301R	Hub with taper pin	1 3/8" Z6
		5150E3701R		1 3/8" Z21
		5150E0401R		1 3/4" Z6
		5150E3801R		1 3/4" Z20
6		246000132R02	Locking plate	1 3/8" Z6 - Z21
		246000134R02	Split locking plate	1 3/4" Z6 - Z20
7		338005000R20	Snap ring	82 x 2.5 DIN 472/1

For primary drivelines, always install any torque limiter or overrunning clutch on the implement side.  
 All rotating parts must be guarded.

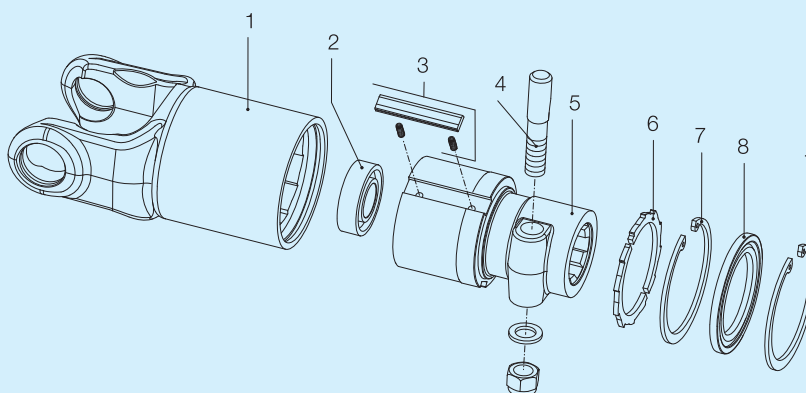
# Overrunning clutches

## RL3


Permanent lubrication

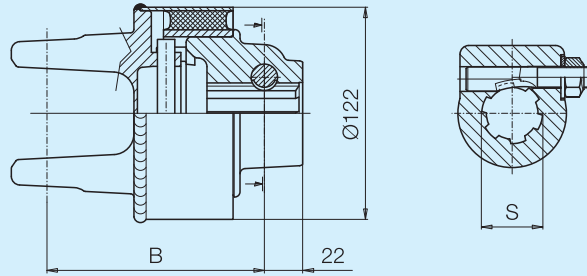


Size Maximum torque	B (mm)				Spare parts code			
	S	S	S	S	1 3/8" Z6	1 3/8" Z21	1 3/4" Z6	1 3/4" Z20
6200 Nm	1 3/8" Z6	1 3/8" Z21	1 3/4" Z6	1 3/4" Z20	1 3/8" Z6	1 3/8" Z21	1 3/4" Z6	1 3/4" Z20
8	191	191	193	193	60170M501R	60170M502R	60170M503R	60170M504R



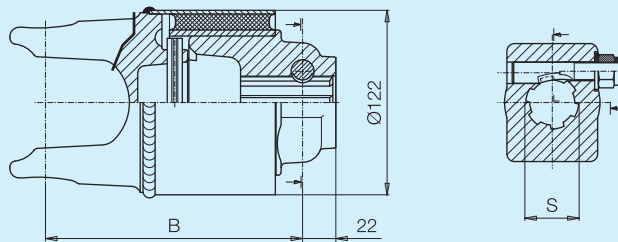
Ref.	Size	Spare parts code	Description	Technical data
1		4180M7001R	Outer housing + yoke	
2		354110025	Bearing	6205 (25 x 52 x 15)
3		4210G0001R03	Pawl + spring kit	
4		408000047R02	Taper pin	1 3/8" Z6 - Z21
		408000046R02		1 3/4" Z6 - Z20
5		5150G0306R	Hub with taper pin	1 3/8" Z6
		5150G3706R		1 3/8" Z21
		5150G0406R		1 3/4" Z6
		5150G3806R		1 3/4" Z20
6		246000132R02	Locking plate	1 3/8" Z6 - Z21
		246000134R02	Split locking plate	1 3/4" Z6 - Z20
7		338046000R20	Snap ring	88 x 3 DIN 472/1
8		359005900R02	Retaining ring	

 For primary drivelines, always install any torque limiter or overrunning clutch on the implement side. All rotating parts must be guarded.



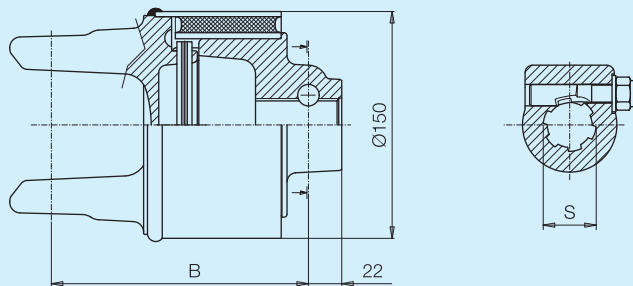
GE4

Size Maximum torque	B (mm)				Spare parts code			
	S	S	S	S	1 3/8" Z6	1 3/8" Z21	1 3/4" Z6	1 3/4" Z20
1700 Nm	1 3/8" Z6	1 3/8" Z21	1 3/4" Z6	1 3/4" Z20	1 3/8" Z6	1 3/8" Z21	1 3/4" Z6	1 3/4" Z20
4	123	123	---	---	608E46501R	608E46502R	---	---
5	134	134	---	---	608G46501R	608G46502R	---	---



GE6

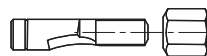
Size Maximum torque	B (mm)				Spare parts code			
	S	S	S	S	1 3/8" Z6	1 3/8" Z21	1 3/4" Z6	1 3/4" Z20
1700 Nm	1 3/8" Z6	1 3/8" Z21	1 3/4" Z6	1 3/4" Z20	1 3/8" Z6	1 3/8" Z21	1 3/4" Z6	1 3/4" Z20
6	170	170	170	170	608H65501R	608H65502R	608H65503R	608H65504R
3000 Nm	170	170	170	170	608H66501R	608H66502R	608H66503R	608H66504R



GE8

Size Maximum torque	B (mm)				Spare parts code			
	S	S	S	S	1 3/8" Z6	1 3/8" Z21	1 3/4" Z6	1 3/4" Z20
5000 Nm	1 3/8" Z6	1 3/8" Z21	1 3/4" Z6	1 3/4" Z20	1 3/8" Z6	1 3/8" Z21	1 3/4" Z6	1 3/4" Z20
7	169	169	169	169	608L86501R	608L86502R	608L86503R	608L86504R
8	170	170	170	170	608M86501R	608M86502R	608M86503R	608M86504R

Taper pin

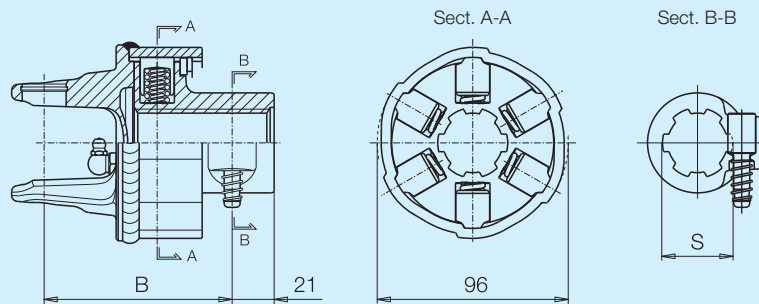


1 3/8" Z6	1 3/8" Z21	1 3/4" Z6	1 3/4" Z20
408000047R02	408000047R02	408000046R02	408000046R02

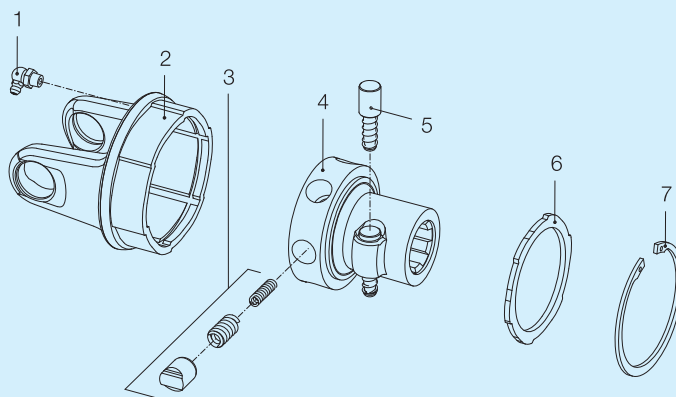
# Ratchet torque limiters

## SA1

One-way



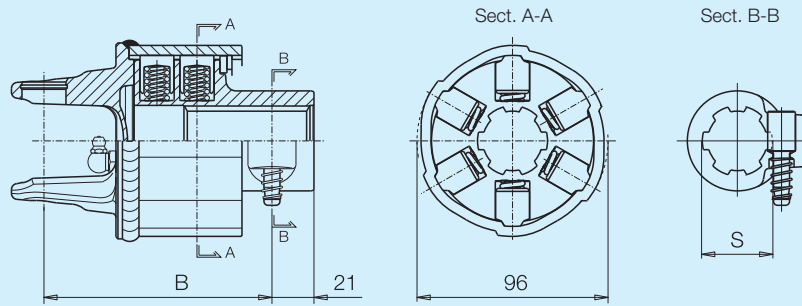
Size	Torque Nm	B (mm)				Spare parts code			
		S 1 3/8" Z6	S 1 3/8" Z21	S 1 3/4" Z6	S 1 3/4" Z20	1 3/8" Z6	1 3/8" Z21	1 3/4" Z6	1 3/4" Z20
4	400	94	---	---	---	610124001R	---	---	---



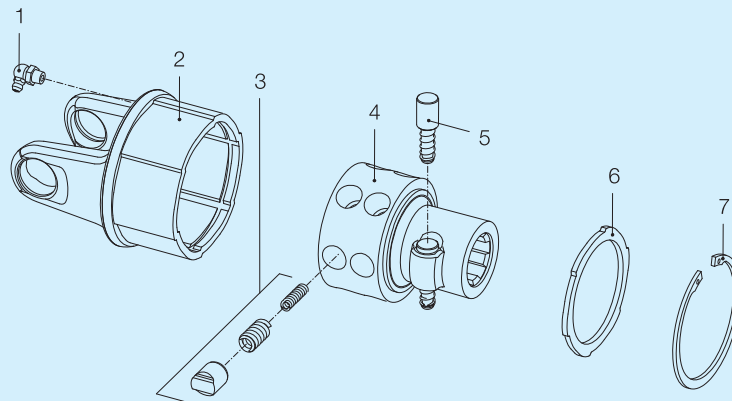
Ref.	Size	Spare parts code	Description	Technical data
1		348014000R20	Grease fitting	
2	1	422011020R	Outer housing + yoke	
3		421340001R06	Ratchet + spring kit	
4		513340302R	Hub with push-pin	1 3/8" Z6
5		403000001R10	Push-pin kit	
6		240000033R02	Locking plate	
7		338005000R20	Snap ring	82 x 2.5 DIN 472/1

For primary drivelines, always install any torque limiter or overrunning clutch on the implement side. All rotating parts must be guarded.

**SA2**  
 One-way



Size	Torque Nm	B (mm)				Spare parts code			
		S 1 3/8" Z6	S 1 3/8" Z21	S 1 3/4" Z6	S 1 3/4" Z20	1 3/8" Z6	1 3/8" Z21	1 3/4" Z6	1 3/4" Z20
1	650	114	---	---	---	610234001R	---	---	---
2	650	120	---	---	---	611234005R	---	---	---
	800					611239001R	---	---	---



Ref.	Size	Spare parts code	Description	Technical data
1		348014000R20	Grease fitting	
2	1	422012020R	Outer housing + yoke	
	2	422022020R		
3		421340001R06	Ratchet + spring kit	
4		513350302R	Hub with push-pin	1 3/8" Z6
5		403000001R10	Push-pin kit	
6		240000033R02	Locking plate	
7		338005000R20	Snap ring	82 x 2.5 DIN 472/1

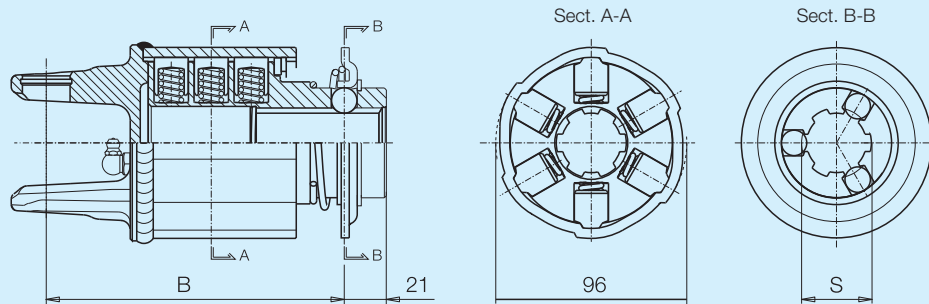
For primary drivelines, always install any torque limiter or overrunning clutch on the implement side.  
 All rotating parts must be guarded.



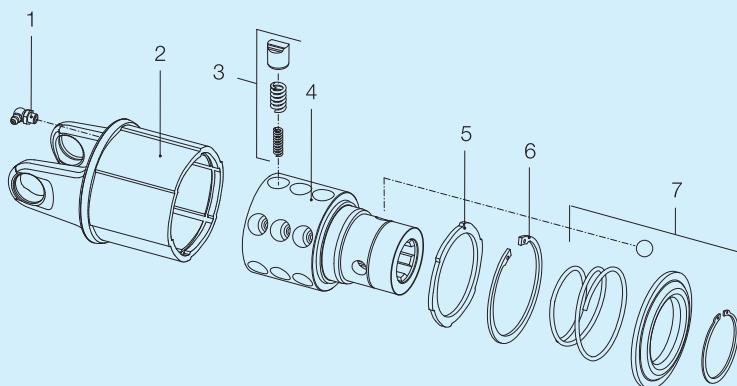
# Ratchet torque limiters

## SA3


One-way



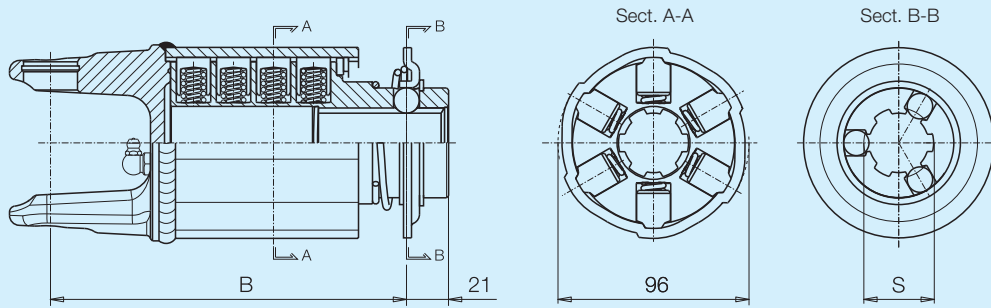
Size	Torque Nm	B (mm)				Spare parts code			
		S 1 3/8" Z6	S 1 3/8" Z21	S 1 3/4" Z6	S 1 3/4" Z20	1 3/8" Z6	1 3/8" Z21	1 3/4" Z6	1 3/4" Z20
2	900	149	---	---	---	611341501R	---	---	---
	1000					611344501R	---	---	---
	1200					611348501R	---	---	---
43-4	1000	158	---	---	---	613344501R	---	---	---
	1200					613348501R	---	---	---
5	1200	161	---	---	---	614348501R	---	---	---



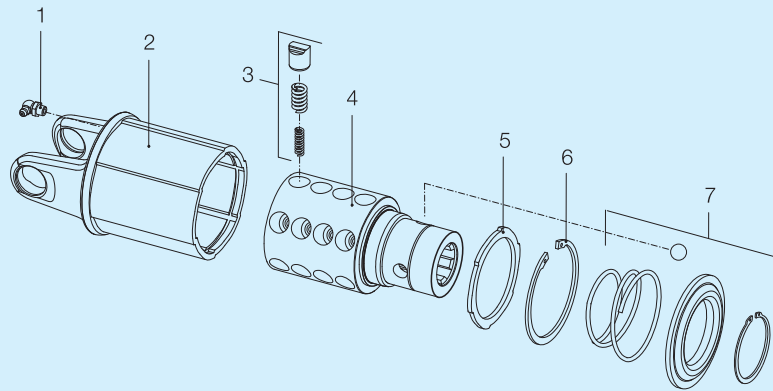
Ref.	Size	Spare parts code	Description	Technical data
1		348014000R20	Grease fitting	
2	2	422023020R	Outer housing + yoke	
	43-4	422043020R		
	5	422053020R		
3		421340001R06	Ratchet + spring kit	
4		2270Q0303R	Hub	1 3/8" Z6
5		240000033R02	Locking plate	
6		338005000R20	Snap ring	82 x 2.5 DIN 472/1
7		435000321R	Ball collar kit	

 For primary drivelines, always install any torque limiter or overrunning clutch on the implement side. All rotating parts must be guarded.

**SA4**  
 One-way



Size	Torque Nm	B (mm)				Spare parts code			
		S 1 3/8" Z6	S 1 3/8" Z21	S 1 3/4" Z6	S 1 3/4" Z20	1 3/8" Z6	1 3/8" Z21	1 3/4" Z6	1 3/4" Z20
43-4	1400	178	---	---	---	613452501R	---	---	---
	1600					613456501R	---	---	---
5	1400	181	---	---	---	614452501R	---	---	---
	1600					614456501R	---	---	---
6	1400	188	---	---	---	615452501R	---	---	---
	1600					615456501R	---	---	---



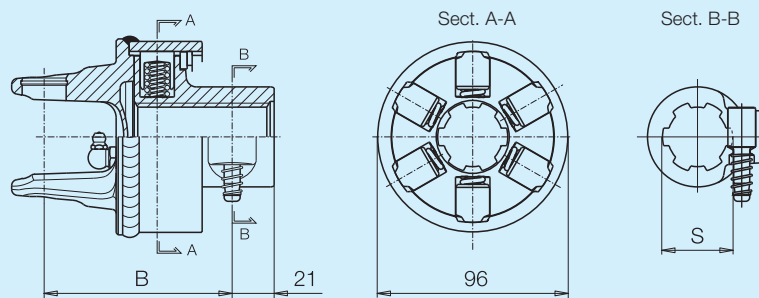
Ref.	Size	Spare parts code	Description	Technical data
1		348014000R20	Grease fitting	
2	43-4	422044020R	Outer housing + yoke	
	5	422054020R		
	6	422064020R		
3		421340001R06	Ratchet + spring kit	
4		2270R0302R	Hub	1 3/8" Z6
5		240000033R02	Locking plate	
6		338005000R20	Snap ring	82 x 2.5 DIN 472/1
7		435000321R	Ball collar kit	

For primary drivelines, always install any torque limiter or overrunning clutch on the implement side.  
 All rotating parts must be guarded.

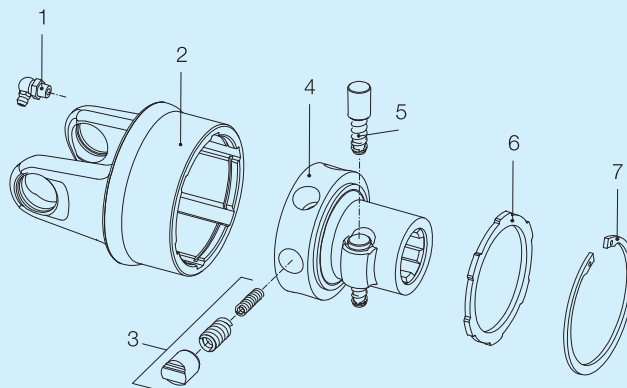
# Ratchet torque limiters

## LN1


Symmetrical



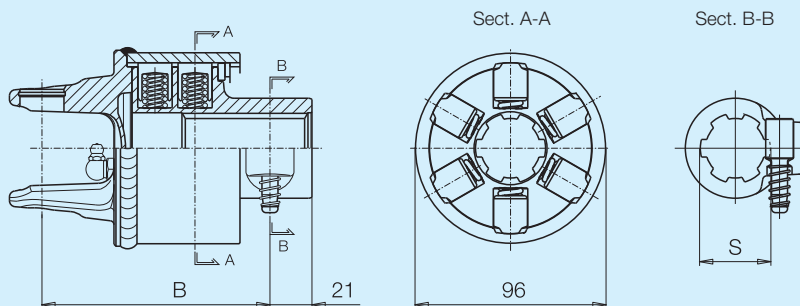
Size	Torque Nm	B (mm)				Spare parts code			
		S 1 3/8" Z6	S 1 3/8" Z21	S 1 3/4" Z6	S 1 3/4" Z20	1 3/8" Z6	1 3/8" Z21	1 3/4" Z6	1 3/4" Z20
1	300	94	---	---	---	60A1B1903R	---	---	---



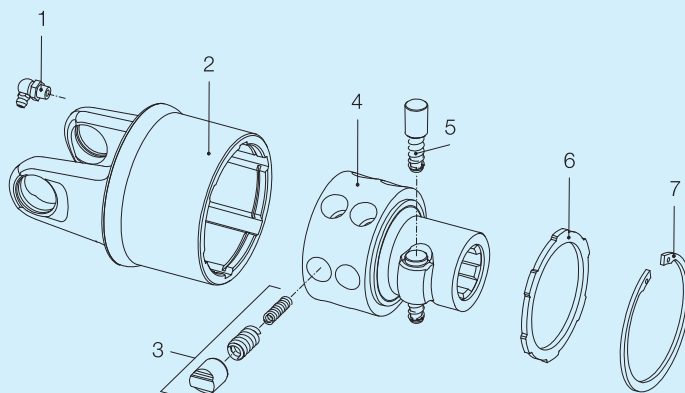
Ref.	Size	Spare parts code	Description	Technical data
1		348014000R20	Grease fitting	
2	1	422B0S301R	Outer housing + yoke	
3		421340007R06	Ratchet + spring kit	
4		513340302R	Hub with push-pin	1 3/8" Z6
5		403000001R10	Push-pin kit	
6		240000294R02	Locking plate	
7		338005000R20	Snap ring	82 x 2.5 DIN 472/1

 For primary drivelines, always install any torque limiter or overrunning clutch on the implement side. All rotating parts must be guarded.

**LN2**  
 Symmetrical



Size	Torque Nm	B (mm)				Spare parts code			
		S 1 3/8" Z6	S 1 3/8" Z21	S 1 3/4" Z6	S 1 3/4" Z20	1 3/8" Z6	1 3/8" Z21	1 3/4" Z6	1 3/4" Z20
1	460	114	---	---	---	60A2B2603R	---	---	---
	600					60A2B3203R	---	---	---
2	600	120	---	---	---	60A2C3203R	---	---	---

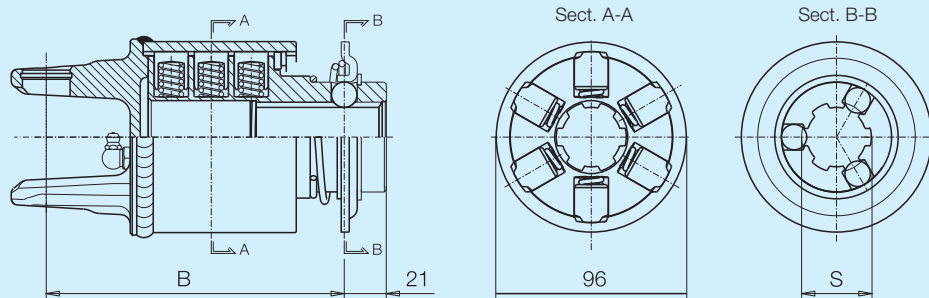


Ref.	Size	Spare parts code	Description	Technical data
1		348014000R20	Grease fitting	
2	1	422B0T301R	Outer housing + yoke	
	2	422C0T301R		
3		421340007R06	Ratchet + spring kit	
4		513350302R	Hub with push-pin	1 3/8" Z6
5		403000001R10	Push-pin kit	
6		240000294R02	Locking plate	
7		338005000R20	Snap ring	82 x 2.5 DIN 472/1

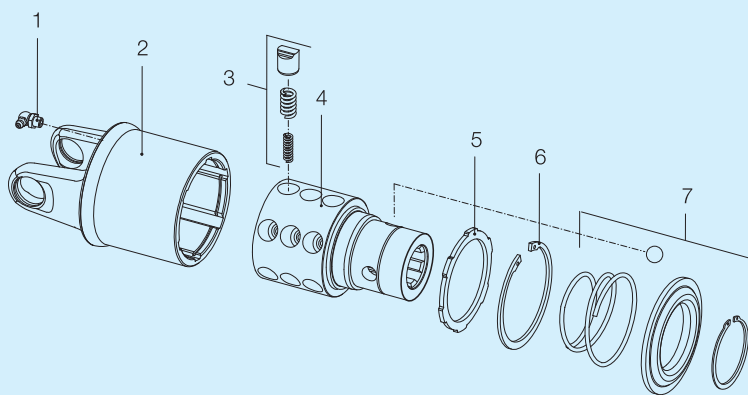
**⚠** For primary drivelines, always install any torque limiter or overrunning clutch on the implement side.  
 All rotating parts must be guarded.

# Ratchet torque limiters


## LN3 Symmetrical

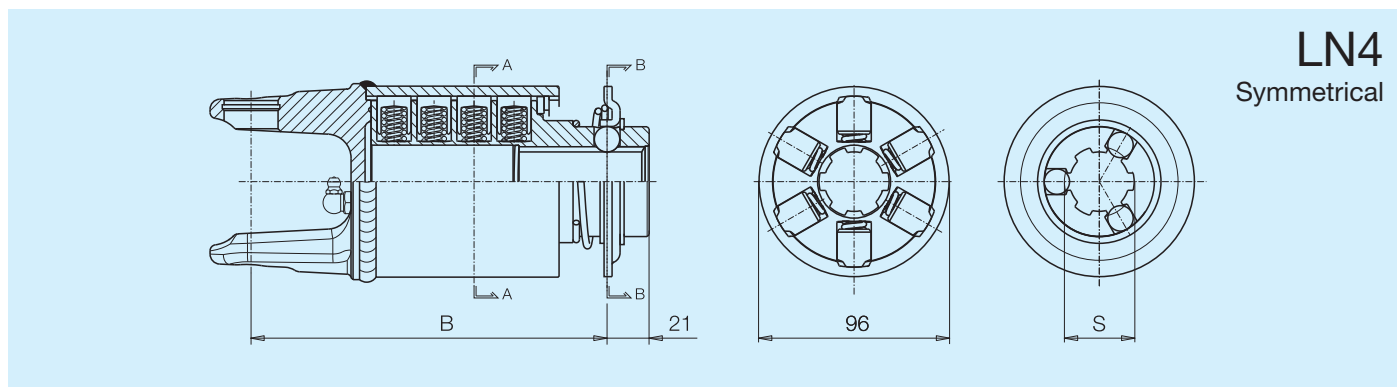


Size	Torque Nm	B (mm)				Spare parts code			
		S 1 3/8" Z6	S 1 3/8" Z21	S 1 3/4" Z6	S 1 3/4" Z20	1 3/8" Z6	1 3/8" Z21	1 3/4" Z6	1 3/4" Z20
2	800	149	---	---	---	60B3C3903R	---	---	---
	900					60B3C4103R	---	---	---

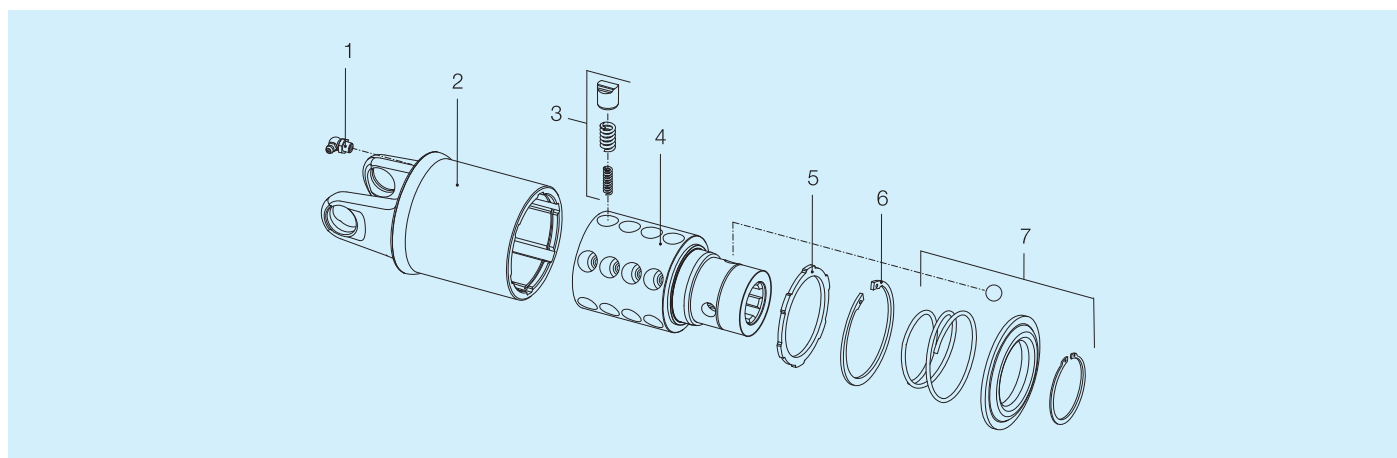


Ref.	Size	Spare parts code	Description	Technical data
1		348014000R20	Grease fitting	
2	2	422C0U301R	Outer housing + yoke	
3		421340007R06	Ratchet + spring kit	
4		2270Q0303R	Hub	1 3/8" Z6
5		240000294R02	Locking plate	
6		338005000R20	Snap ring	82 x 2.5 DIN 472/1
7		435000321R	Ball collar kit	

 For primary drivelines, always install any torque limiter or overrunning clutch on the implement side.  
All rotating parts must be guarded.



Size	Torque Nm	B (mm)				Spare parts code			
		S 1 3/8" Z6	S 1 3/8" Z21	S 1 3/4" Z6	S 1 3/4" Z20	1 3/8" Z6	1 3/8" Z21	1 3/4" Z6	1 3/4" Z20
2	1000	169	---	---	---	60B4C4403R	---	---	---
	1200					60B4C4803R	---	---	---
43-4	1000	178	---	---	---	60B4E4403R	---	---	---
	1200					60B4E4803R	---	---	---
5	1200	181	---	---	---	60B4G4803R	---	---	---



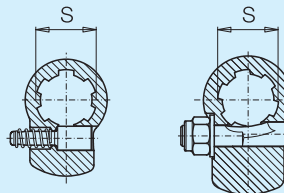
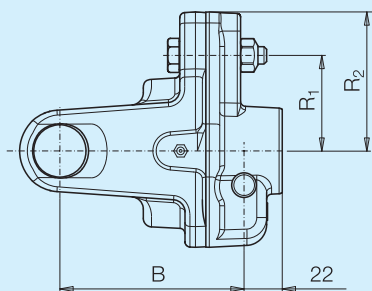
Ref.	Size	Spare parts code	Description	Technical data
1		348014000R20	Grease fitting	
2	2	422C0V301R	Outer housing + yoke	
	43-4	422E0V301R		
	5	422G0V301R		
3		421340007R06	Ratchet + spring kit	
4		2270R0302R	Hub	1 3/8" Z6
5		240000294R02	Locking plate	
6		338005000R20	Snap ring	82 x 2.5 DIN 472/1
7		435000321R	Ball collar kit	

For primary drivelines, always install any torque limiter or overrunning clutch on the implement side.  
 All rotating parts must be guarded.

# Shear bolt torque limiters

100

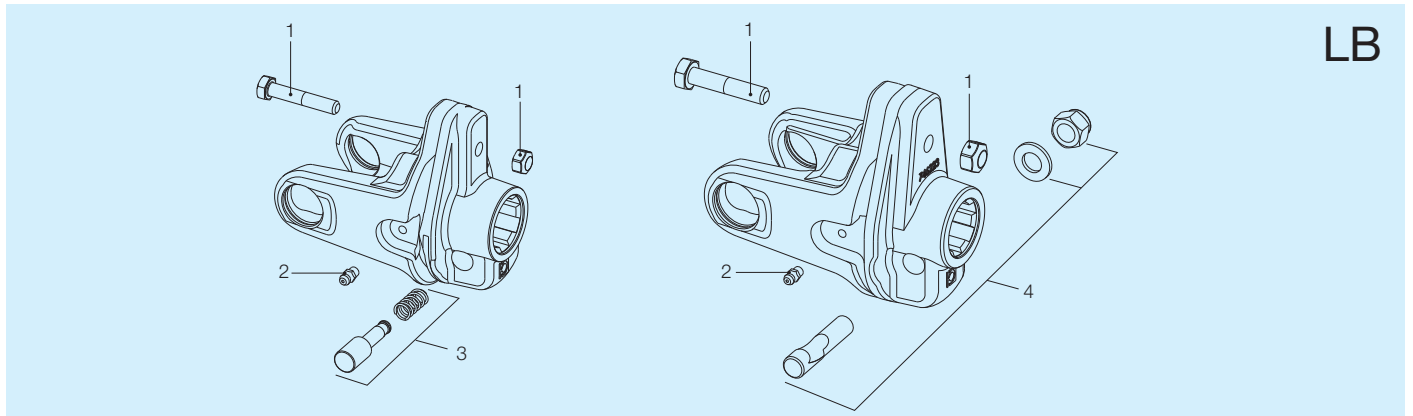
LB




Push-pin for sizes 1, 2, 43, 4      Taper pin for sizes 5, 6, 7, 8

Size	Torque Nm	B mm	R <sub>1</sub> mm	R <sub>2</sub> mm	Spare parts code			
					1 3/8" Z6	1 3/8" Z21	1 3/4" Z6	1 3/4" Z20
1	650	80	37	68	6060B0304R	6060B3703R	---	---
	700		40		6060B0302R	6060B3702R	---	---
2	950	87	55	68	6060C0302R	6060C3702R	---	---
	1050		60		6060C0308R	6060C3704R	---	---
43	1400	93	45	68	6060E0303R	6060E3704R	---	---
	1700		55		6060E0302R	6060E3702R	---	---
4	1400	93	45	68	6060E0303R	6060E3704R	---	---
	1700		55		6060E0302R	6060E3702R	---	---
	2000		43		6060E0309R	6060E3711R	---	---
5	2100	106	67	80	6060G0319R	6060G3710R	6060G0408R	6060G3803R
	2400		50		6060G0304R	6060G3704R	6060G0404R	6060G3804R
6	2400	112	50	80	6060H0306R	6060H3707R	6060H0404R	6060H3807R
	2700		55		6060H0302R	6060H3702R	6060H0402R	6060H3802R
7	2700	115	55	80	6060L0303R	6060L3703R	6060L0404R	6060L3807R
	3200		66		6060L0305R	6060L3704R	6060L0407R	6060L3808R
8	3000	121	62	80	6060M0306R	6060M3705R	6060M0405R	6060M3811R
	3500		50		6060M0307R	6060M3703R	6060M0407R	6060M3809R

The torque setting, assigned according to type and size of telescoping members, must never exceed the maximum torque of the driveline Mmax.



Ref.	Size	Spare parts code	Description	Technical data
1		432000002R05	Bolt	M6x40 Cl. 8.8
		432000047R05		M8x45 Cl. 8.8
		432000053R05		M10x50 Cl. 8.8
		432000124R05		M12x55 Cl. 8.8
2		348017000R20	Grease fitting	
3		403000001R10	Push-pin kit	1 3/8" Z6 - Z21
4		408000048R02	Taper pin	1 3/8" Z6 - Z21
		408000052R02		1 3/4" Z6 - Z20

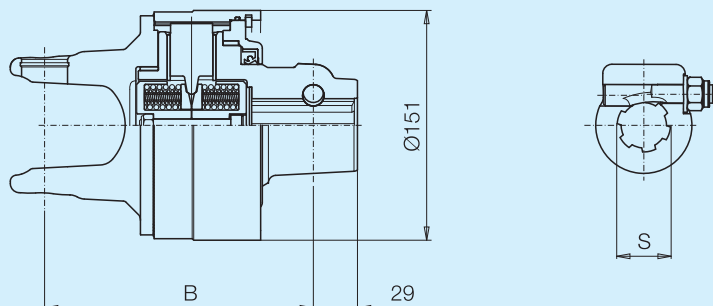
 For primary drivelines, always install any torque limiter or overrunning clutch on the implement side.  
 All rotating parts must be guarded.



# Automatic torque limiter

100

## LR23



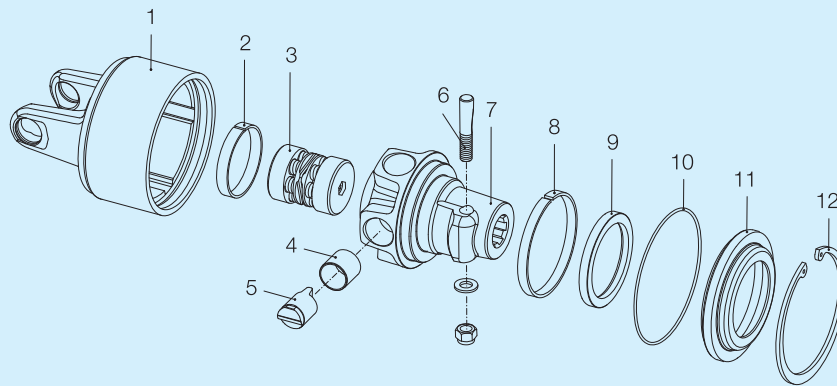
Size	Torque Nm	B (mm)				Spare parts code			
		S 1 3/8" Z6	S 1 3/8" Z21	S 1 3/4" Z6	S 1 3/4" Z20	1 3/8" Z6	1 3/8" Z21	1 3/4" Z6	1 3/4" Z20
4	*1200	172	172	172	172	6WE148003R	6WE148037R	6WE148004R	6WE148038R
	1500					6WE154003R	6WE154037R	6WE154004R	6WE154038R
	1700					6WE157003R	6WE157037R	6WE157004R	6WE157038R
5	*1500	177	177	177	177	6WG154003R	6WG154037R	6WG154004R	6WG154038R
	1700					6WG157003R	6WG157037R	6WG157004R	6WG157038R
	1900					6WG159003R	6WG159037R	6WG159004R	6WG159038R
	2100					6WG161003R	6WG161037R	6WG161004R	6WG161038R
6	*2100	184	184	184	184	6WH161003R	6WH161037R	6WH161004R	6WH161038R

\*Maximum recommended settings for 1000 min<sup>-1</sup> velocity.



For primary drivelines, always install any torque limiter or overrunning clutch on the implement side.  
All rotating parts must be guarded.

**LR23**



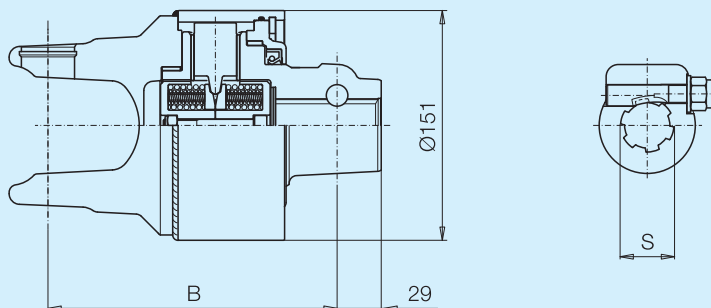
Ref.	Size	Spare parts code	Description	Technical data
1	4	4310E1151R	Outer housing + yoke	
	5	4310G1151R		
	6	4310G1151R		
2		240000205R02	Bushing	
3		421154801R	Spring pack	1200 Nm
		421155401R		1500 Nm
		421155701R		1700 Nm
		421155901R		1900 Nm
		421156101R		2100 Nm
4		258000100R05	Bushing	
5		250000101R05	Cam	
6		408000047R02	Taper pin	1 3/8" Z6 - Z21
		408000052R02		1 3/4" Z6 - Z20
7		515150301R	Hub with taper pin and bushings	1 3/8" Z6
		515153701R		1 3/8" Z21
		515150401R		1 3/4" Z6
		515153801R		1 3/4" Z20
8		240000201R02	Bushing	
9		355006080R02	Sealing ring	80 x 100 x 10 mm
10		358000006R02	O-ring	139 x 2.6 mm
11		240000202R02	Locking plate	
12		338000138R20	Snap ring	138 x 4 DIN 472/1



For primary drivelines, always install any torque limiter or overrunning clutch on the implement side.  
 All rotating parts must be guarded.


Automatic torque limiter

LR24

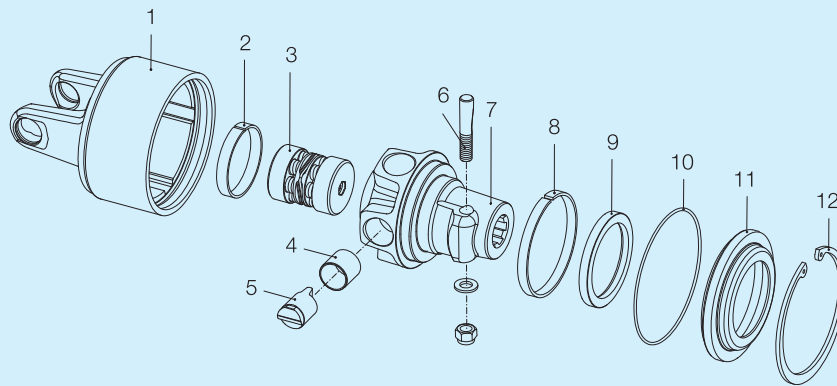


Size	Torque Nm	B (mm)				Spare parts code			
		S 1 3/8" Z6	S 1 3/8" Z21	S 1 3/4" Z6	S 1 3/4" Z20	1 3/8" Z6	1 3/8" Z21	1 3/4" Z6	1 3/4" Z20
6	2600	184	184	184	184	6WH266003R	6WH266037R	6WH266004R	6WH266038R
	2900					6WH269003R	6WH269037R	6WH269004R	6WH269038R
7	*2500	184	184	184	184	6WL265003R	6WL265037R	6WL265004R	6WL265038R
	3000					6WL270003R	6WL270037R	6WL270004R	6WL270038R
8	*2500	192	192	192	192	6WM265003R	6WM265037R	6WM265004R	6WM265038R
	3000					6WM270003R	6WM270037R	6WM270004R	6WM270038R

\*Maximum recommended settings for 1000 min<sup>-1</sup> velocity.

 For primary drivelines, always install any torque limiter or overrunning clutch on the implement side. All rotating parts must be guarded.

**LR24**



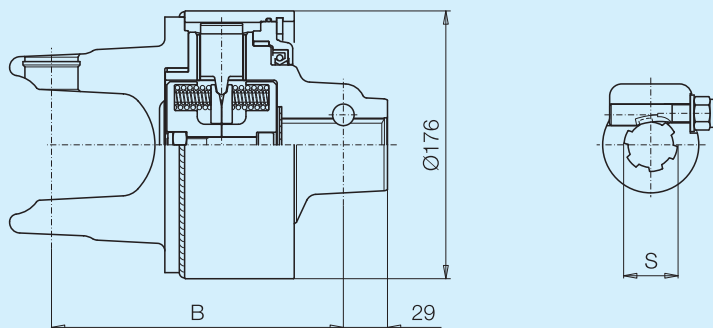
Ref.	Size	Spare parts code	Description	Technical data
1	6	431062152R	Outer housing + yoke	
	7	4310L2152R		
	8	431082152R		
2		240000205R02	Bushing	
3		421166502R	Spring pack	2500 Nm
		421166601R		2600 Nm
		421166902R		2900 Nm
		421167001R		3000 Nm
4		258000100R05	Bushing	
5		250000108R05	Cam	
6		408000047R02	Taper pin	1 3/8" Z6 - Z21
		408000052R02		1 3/4" Z6 - Z20
7		515160301R	Hub with taper pin and bushings	1 3/8" Z6
		515163701R		1 3/8" Z21
		515160401R		1 3/4" Z6
		515163801R		1 3/4" Z20
8		240000201R02	Bushing	
9		355006080R02	Sealing ring	80 x 100 x 10 mm
10		358000006R02	O-ring	139 x 2.6 mm
11		240000202R02	Locking plate	
12		338000138R20	Snap ring	138 x 4 DIN 472/1



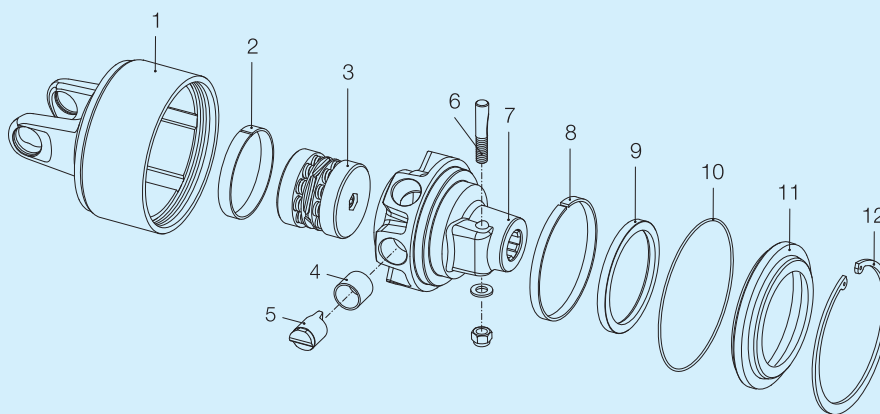
For primary drivelines, always install any torque limiter or overrunning clutch on the implement side.  
 All rotating parts must be guarded.

Automatic torque limiter

LR35

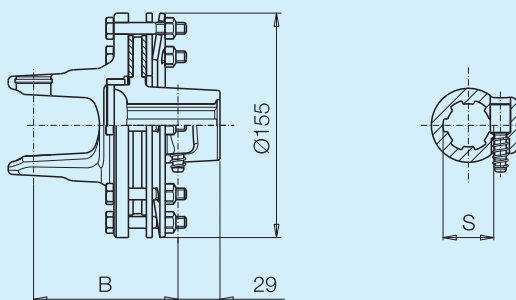


Size	Torque Nm	B (mm)				Spare parts code			
		S 1 3/8" Z6	S 1 3/8" Z21	S 1 3/4" Z6	S 1 3/4" Z20	1 3/8" Z6	1 3/8" Z21	1 3/4" Z6	1 3/4" Z20
8	3500	192	192	192	192	6WM481003R	6WM481037R	6WM481004R	6WM481038R



Ref.	Size	Spare parts code	Description	Technical data
1	8	431084151R	Outer housing + yoke	
2		240000711R02	Bushing	
3		421188101R	Spring pack	3500 Nm
4		258000100R05	Bushing	
5		250000101R05	Cam	
6		408000047R02	Taper pin	1 3/8" Z6 - Z21
		408000052R02		1 3/4" Z6 - Z20
7		515180301R	Hub with taper pin and bushings	1 3/8" Z6
		515183701R		1 3/8" Z21
		515180401R		1 3/4" Z6
		515183801R		1 3/4" Z20
8		240000712R02	Bushing	
9		355000105R02	Sealing ring	105 x 125 x 10 mm
10		358000007R02	O-ring	64.7 x 2.6 mm
11		240000710R02	Locking plate	
12		338000162R20	Snap ring	162 x 4 DIN 472/1

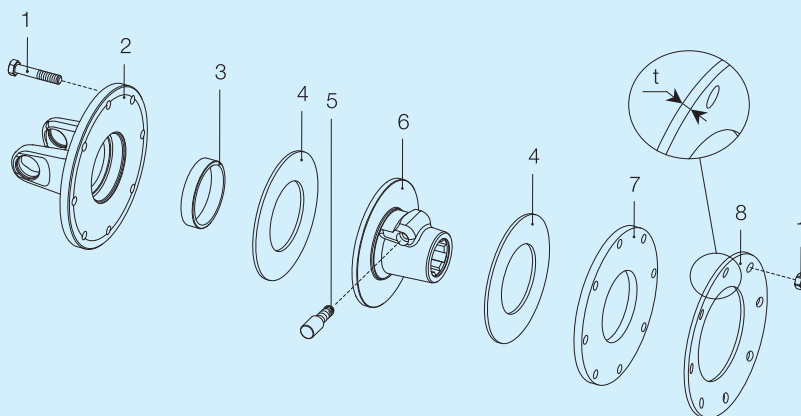
For primary drivelines, always install any torque limiter or overrunning clutch on the implement side.  
All rotating parts must be guarded.



**FV22**  
Adjustable setting

Size	Torque Nm	B (mm)				Spare parts code			
		S 1 3/8" Z6	S 1 3/8" Z21	S 1 3/4" Z6	S 1 3/4" Z20	1 3/8" Z6	1 3/8" Z21	1 3/4" Z6	1 3/4" Z20
1	*400	92	92	---	---	661B24103R	661B24137R	---	---
	500					661B28103R	661B28137R	---	---
2	*500	100	100	---	---	661C28103R	661C28137R	---	---
	600					661C32103R	661C32137R	---	---
43	*600	101	101	---	---	661E32103R	661E32137R	---	---
	800					661E39103R	661E39137R	---	---
4	800	101	101	---	---	661E39103R	661E39137R	---	---

\*Maximum recommended settings for 1000 min<sup>-1</sup> velocity.



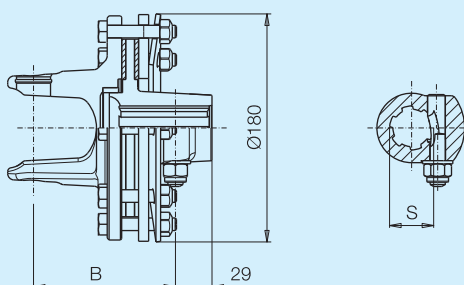
Ref.	Size	Spare parts code	Description	Technical data
1		432000003R08	Bolt	M8 x 50 mm
2	1	2530B8503R	Flange yoke	
	2	2530C8503R		
	43-4	2530E8503R		
3		258005320R02	Bushing	
4		247006151R08	Friction lining	D = 124 ; d = 67 mm
5		403000001R10	Push-pin kit	1 3/8" Z6 - Z21
6		513850307R	Hub with push-pin	1 3/8" Z6
		513853707R		1 3/8" Z21
7		2481A0001R02	Pressure plate	Thickness = 4 mm
8		367005850R	Belleville spring	t = 3.75 mm

For primary drivelines, always install any torque limiter or overrunning clutch on the implement side.  
 All rotating parts must be guarded.

Friction torque limiters

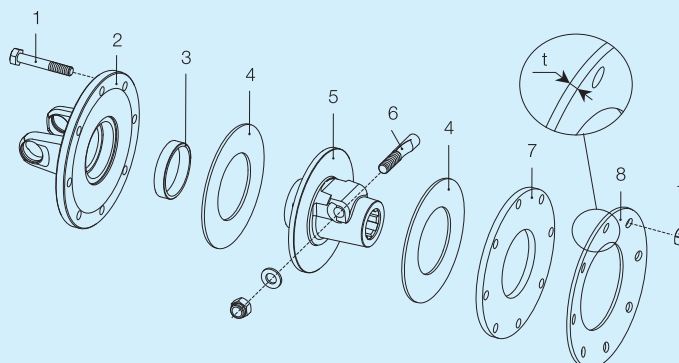
FV32

Adjustable setting



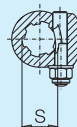
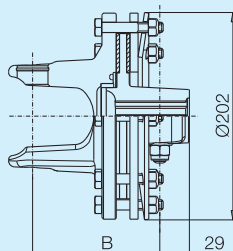
Size	Torque Nm	B (mm)				Spare parts code			
		S 1 3/8" Z6	S 1 3/8" Z21	S 1 3/4" Z6	S 1 3/4" Z20	1 3/8" Z6	1 3/8" Z21	1 3/4" Z6	1 3/4" Z20
4	*900	113	113	---	---	661E41203R	661E41237R	---	---
	1000					661E44203R	661E44237R	---	---
5	900	117	117	---	---	661G41203R	661G41237R	---	---
	1000					661G44203R	661G44237R	---	---
	*1100					661G46203R	661G46237R	---	---
6	900	124	124	---	---	661H41203R	661H41237R	---	---
	1000					661H44203R	661H44237R	---	---
	*1100					661H46203R	661H46237R	---	---

\*Maximum recommended settings for 1000 min<sup>-1</sup> velocity.



Ref.	Size	Spare parts code	Description	Technical data
1		432000054R08	Bolt	M10 x 55 mm
2	4	253048602R	Flange yoke	
	5	253058901R		
	6	253068903R		
3		258005320R02	Bushing	
4		247006251R08	Friction lining	D = 141 ; d = 77 mm
5		515860305R	Hub with push pin	1 3/8" Z6
		515863705R		1 3/8" Z21
6		408000047R02	Taper pin	1 3/8" Z6 - Z21
7		248860007R02	Pressure plate	Thickness = 8 mm
8		367008860R	Belleville spring	t = 3.75 mm

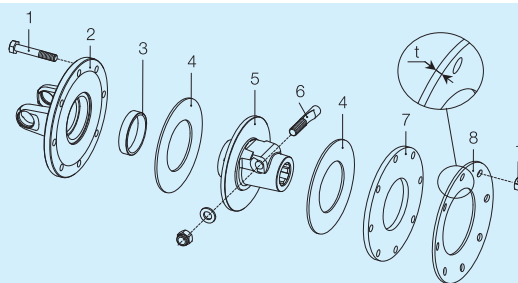
For primary drivelines, always install any torque limiter or overrunning clutch on the implement side. All rotating parts must be guarded.



**FV42**  
Adjustable setting

Size	Torque Nm	B (mm)				Spare parts code			
		S 1 3/8" Z6	S 1 3/8" Z21	S 1 3/4" Z6	S 1 3/4" Z20	1 3/8" Z6	1 3/8" Z21	1 3/4" Z6	1 3/4" Z20
5	1200	117	117	122	122	661G48403R	661G48437R	661G48404R	661G48438R
6	*1200	125	125	130	130	661H48403R	661H48437R	661H48404R	661H48438R
	1350					661H51403R	661H51437R	661H51404R	661H51438R
	1450					661H53403R	661H53437R	661H53404R	661H53438R
7	1350	131	131	136	136	661L51403R	661L51437R	661L51404R	661L51438R
	*1450					661L53403R	661L53437R	661L53404R	661L53438R
	1600					661L56403R	661L56437R	661L56404R	661L56438R
	1800					661L58403R	661L58437R	661L58404R	661L58438R
8	1350	133	133	138	138	661M51403R	661M51437R	661M51404R	661M51438R
	*1450					661M53403R	661M53437R	661M53404R	661M53438R
	1600					661M56403R	661M56437R	661M56404R	661M56438R
	1800					661M58403R	661M58437R	661M58404R	661M58438R

\*Maximum recommended settings for 1000 min<sup>-1</sup> velocity.



Ref.	Size	Spare parts code	Description	Technical data
1		432000008R08	Bolt	M10 x 60 mm
2	5	253058701R	Flange yoke	
	6	253069001R		
	7	253078702R		
	8	253089001R		
3		258005320R02	Bushing	
4		247006351R08	Friction lining	D = 162 ; d = 85 mm
5		515870305R	Hub with push pin	1 3/8" Z6
		515873705R		1 3/8" Z21
		515870405R		1 3/4" Z6
		515873805R		1 3/4" Z20
6		408000047R02	Taper pin	1 3/8" Z6 - Z21
		408000046R02		1 3/4" Z6 - Z20
7		248870007R	Pressure plate	Thickness = 8 mm
8		367009870R	Belleville spring	t = 4.25 mm

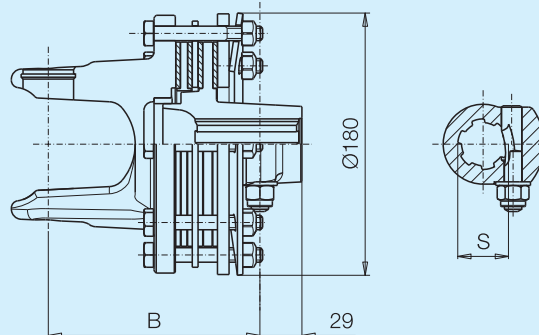


# Friction torque limiters

100

## FV34

Adjustable setting

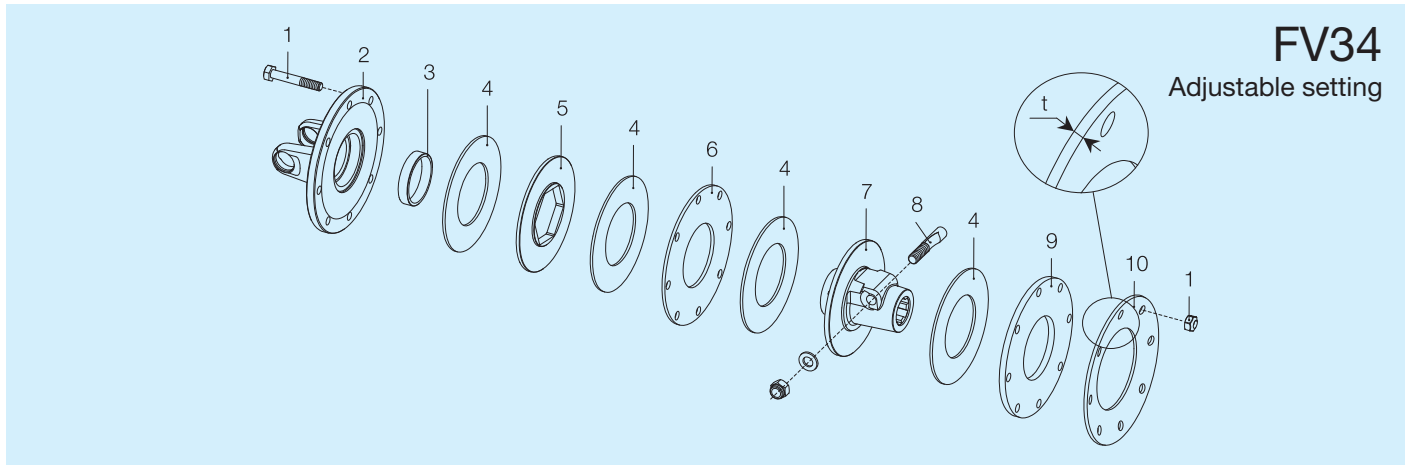


Size	Torque Nm	B (mm)				Spare parts code			
		S 1 3/8" Z6	S 1 3/8" Z21	S 1 3/4" Z6	S 1 3/4" Z20	1 3/8" Z6	1 3/8" Z21	1 3/4" Z6	1 3/4" Z20
5	1200	133	133	138	138	661G48303R	661G48337R	661G48304R	661G48338R
6	*1200	140	140	145	145	661H48303R	661H48337R	661H48304R	661H48338R
	1350					661H51303R	661H51337R	661H51304R	661H51338R
	1450					661H53303R	661H53337R	661H53304R	661H53338R
7	1350	146	146	151	151	661L51303R	661L51337R	661L51304R	661L51338R
	*1450					661L53303R	661L53337R	661L53304R	661L53338R
	1600					661L56303R	661L56337R	661L56304R	661L56338R
	1800					661L58303R	661L58337R	661L58304R	661L58338R
8	*1800	148	148	153	153	661M58303R	661M58337R	661M58304R	661M58338R
	2000					661M60303R	661M60337R	661M60304R	661M60338R

\*Maximum recommended settings for 1000 min<sup>-1</sup> velocity.



For primary drivelines, always install any torque limiter or overrunning clutch on the implement side. All rotating parts must be guarded.



**FV34**

Adjustable setting

Ref.	Size	Spare parts code	Description	Technical data
1		432000114R08	Bolt	M10 x 75 mm
2	5	253058901R	Flange yoke	
	6	253068903R		
	7	253078601R		
	8	253088903R		
3		258005320R02	Bushing	
4		247006251R08	Friction lining	D = 141 ; d = 77 mm
5		248727702R02	Driving plate	
6		248860001R02	Inner plate	Thickness = 4 mm
7		515890305R	Hub with push pin	1 3/8" Z6
		515893705R		1 3/8" Z21
		515890405R		1 3/4" Z6
		515893805R		1 3/4" Z20
8		408000047R02	Taper pin	1 3/8" Z6 - Z21
		408000049R02		1 3/4" Z6 - Z20
9		248860007R02	Pressure plate	Thickness = 8 mm
10		367008860R	Belleville spring	t = 3.75 mm



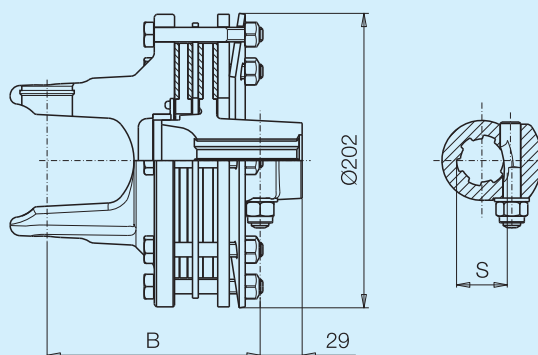
For primary drivelines, always install any torque limiter or overrunning clutch on the implement side.  
 All rotating parts must be guarded.

# Friction torque limiters

**100**

## FV44

Adjustable setting

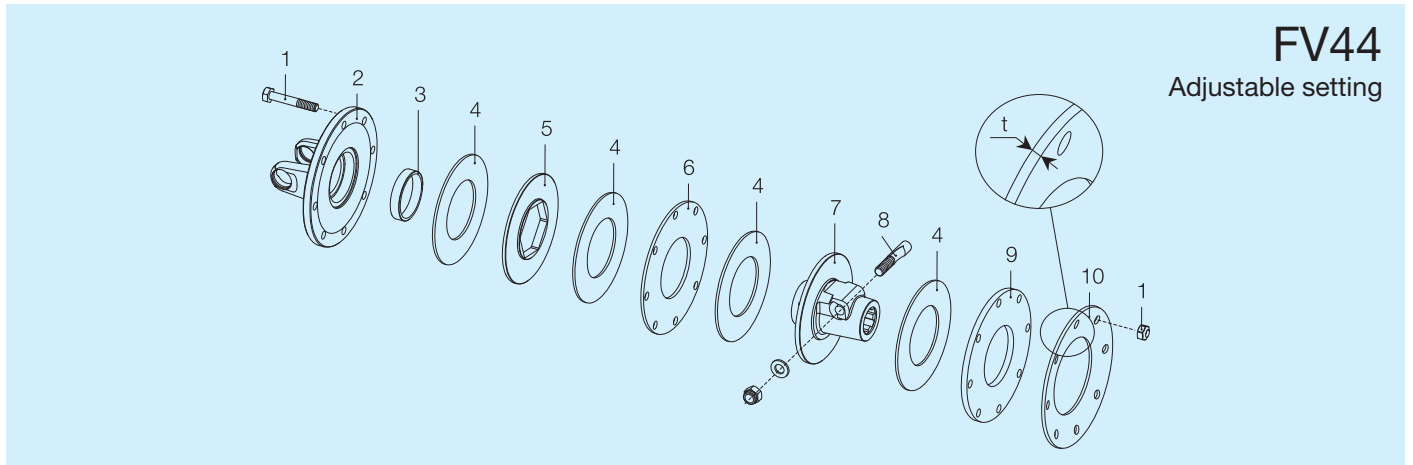


Size	Torque Nm	B (mm)				Spare parts code			
		S 1 3/8" Z6	S 1 3/8" Z21	S 1 3/4" Z6	S 1 3/4" Z20	1 3/8" Z6	1 3/8" Z21	1 3/4" Z6	1 3/4" Z20
7	1800	147	147	152	152	661L58503R	661L58537R	661L58504R	661L58538R
8	*1800	149	149	154	154	661M58503R	661M58537R	661M58504R	661M58538R
	2000					661M60503R	661M60537R	661M60504R	661M60538R
	2200					661M62503R	661M62537R	661M62504R	661M62538R

\*Maximum recommended settings for 1000 min<sup>-1</sup> velocity.




For primary drivelines, always install any torque limiter or overrunning clutch on the implement side.  
All rotating parts must be guarded.



**FV44**  
Adjustable setting

Ref.	Size	Spare parts code	Description	Technical data
1		432000114R08	Bolt	M10 x 75 mm
2	7	253078702R	Flange yoke	
	8	253089001R		
3		258005320R02	Bushing	
4		247006351R08	Friction lining	D = 162 ; d = 85 mm
5		248737702R02	Driving plate	
6		248870011R02	Inner plate	Thickness = 4 mm
7		515900305R	Hub with push pin	1 3/8" Z6
		515903705R		1 3/8" Z21
		515900405R		1 3/4" Z6
		515903805R		1 3/4" Z20
8		408000047R02	Taper pin	1 3/8" Z6 - Z21
		408000046R02		1 3/4" Z6 - Z20
9		248870007R	Pressure plate	Thickness = 8 mm
10		367009870R	Belleville spring	t = 4.25 mm

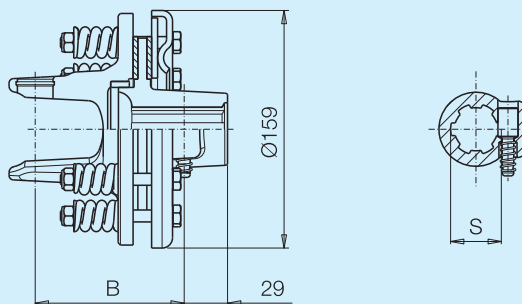
 For primary drivelines, always install any torque limiter or overrunning clutch on the implement side.  
 All rotating parts must be guarded.

# Friction torque limiters

100

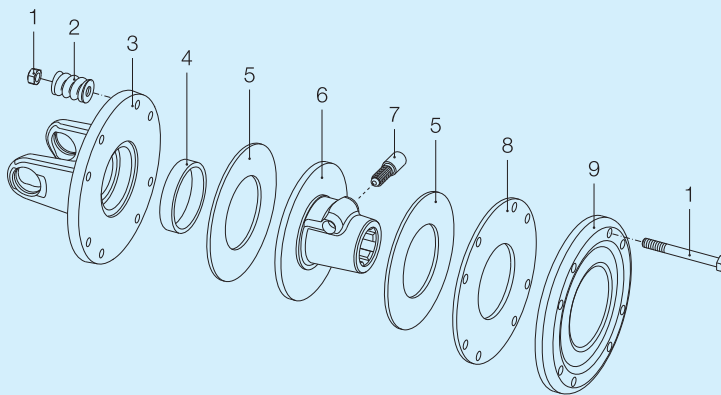
## FFV22

Adjustable setting



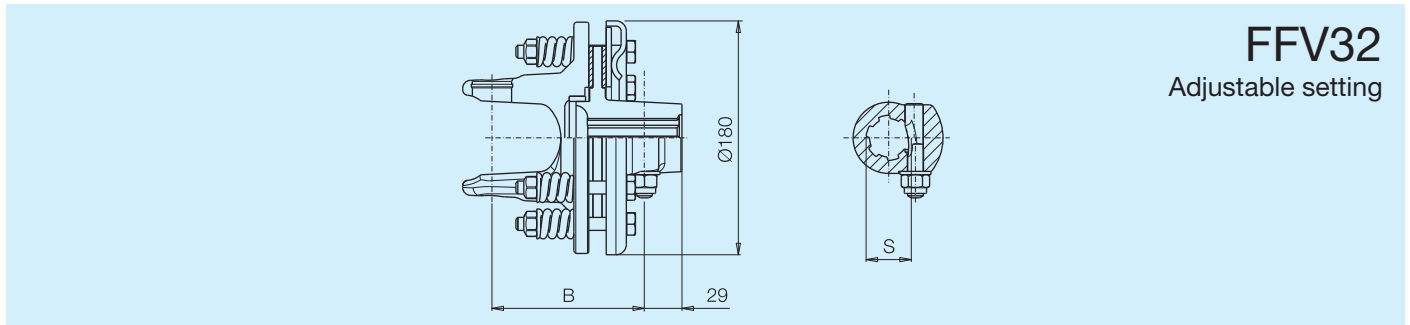
Size	Torque Nm	B (mm)				Spare parts code			
		S 1 3/8" Z6	S 1 3/8" Z21	S 1 3/4" Z6	S 1 3/4" Z20	1 3/8" Z6	1 3/8" Z21	1 3/4" Z6	1 3/4" Z20
1	*400	92	92	---	---	635B24103R	635B24137R	---	---
	500					635B28103R	635B28137R	---	---
2	*500	100	100	---	---	635C28103R	635C28137R	---	---
	600					635C32103R	635C32137R	---	---
43	*600	101	101	---	---	635E32103R	635E32137R	---	---
	800					635E39103R	635E39137R	---	---
4	800	101	101			635E39103R	635E39137R	---	---

\*Maximum recommended settings for 1000 min<sup>-1</sup> velocity.



Ref.	Size	Spare parts code	Description	Technical data
1		432000031R08	Bolt	M8 x 75 mm
2		351015001R08	Coil springs	f = 6 mm
3	1	2530B1A05R	Flange yoke	
	2	2530C1A05R		
	43-4	2530E1A05R		
4		258005320R02	Bushing	
5		247006151R08	Friction lining	D = 124 ; d = 67 mm
6		513850307R	Hub with push-pin	1 3/8" Z6
		513853707R		1 3/8" Z21
7		403000001R10	Push-pin kit	1 3/8" Z6 - Z21
8		2481A0007R02	Inner plate	Thickness = 4 mm
9		2481A0006R02	Pressure plate	

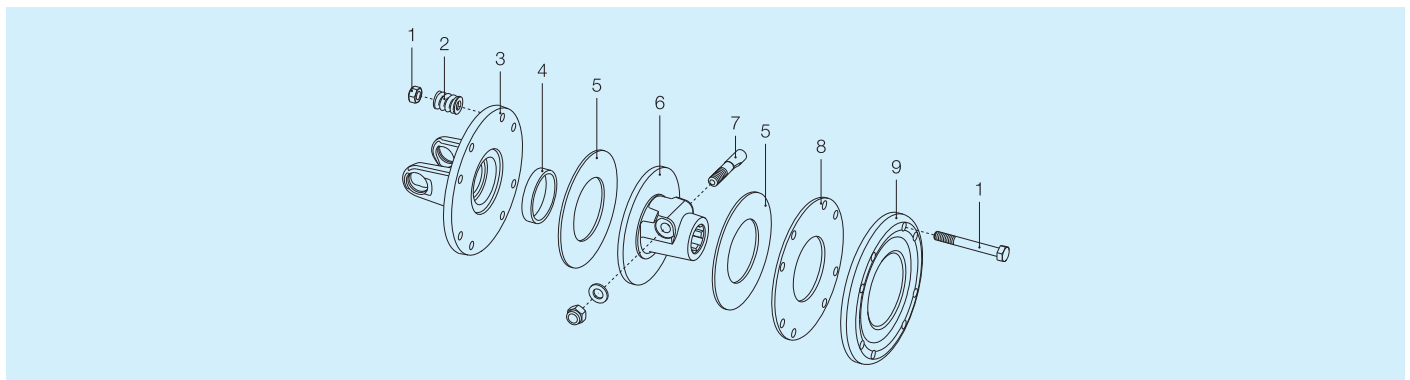
For primary drivelines, always install any torque limiter or overrunning clutch on the implement side. All rotating parts must be guarded.



**FFV32**  
Adjustable setting

Size	Torque Nm	B (mm)				Spare parts code			
		S 1 3/8" Z6	S 1 3/8" Z21	S 1 3/4" Z6	S 1 3/4" Z20	1 3/8" Z6	1 3/8" Z21	1 3/4" Z6	1 3/4" Z20
4	*900	113	113	---	---	635E41203R	635E41237R	---	---
	1000					635E44203R	635E44237R	---	---
5	900	117	117	---	---	635G41203R	635G41237R	---	---
	1000					635G44203R	635G44237R	---	---
	*1100					635G46203R	635G46237R	---	---
6	900	124	124	---	---	635H41203R	635H41237R	---	---
	1000					635H44203R	635H44237R	---	---
	*1100					635H46203R	635H46237R	---	---

\*Maximum recommended settings for 1000 min<sup>-1</sup> velocity.



Ref.	Size	Spare parts code	Description	Technical data
1		432000006R08	Bolt	M10 x 85 mm
2		351022370R08	Coil springs	f = 6 mm
3	4	2530E1C05R	Flange yoke	
	5	2530G1C05R		
	6	2530H1C05R		
4		258005320R02	Bushing	
5		247006251R08	Friction lining	D = 141 ; d = 77 mm
6		515860305R	Hub with push pin	1 3/8" Z6
		515863705R		1 3/8" Z21
7		408000047R02	Taper pin	1 3/8" Z6 - Z21
8		2481C0007R02	Inner plate	Thickness = 4 mm
9		248220007R02	Pressure plate	

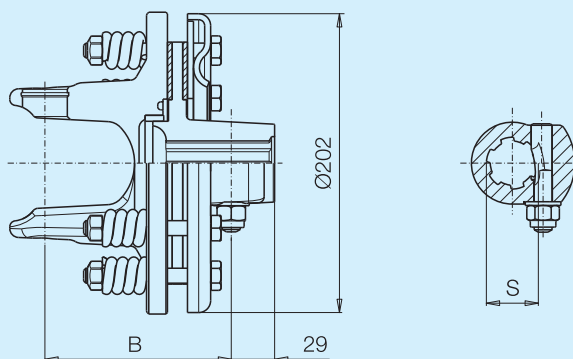
For primary drivelines, always install any torque limiter or overrunning clutch on the implement side.  
 All rotating parts must be guarded.

# Friction torque limiters

100

## FFV42

Adjustable setting



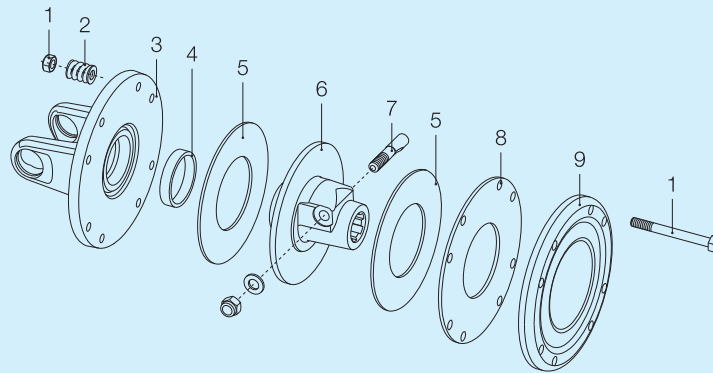
Size	Torque Nm	B (mm)				Spare parts code			
		S 1 3/8" Z6	S 1 3/8" Z21	S 1 3/4" Z6	S 1 3/4" Z20	1 3/8" Z6	1 3/8" Z21	1 3/4" Z6	1 3/4" Z20
5	1200	117	117	122	122	635G48403R	635G48437R	635G48404R	635G48438R
6	*1200	125	125	130	130	635H48403R	635H48437R	635H48404R	635H48438R
	1350					635H51403R	635H51437R	635H51404R	635H51438R
	1450					635H53403R	635H53437R	635H53404R	635H53438R
7	1350	131	131	136	136	635L51403R	635L51437R	635L51404R	635L51438R
	*1450					635L53403R	635L53437R	635L53404R	635L53438R
	1600					635L56403R	635L56437R	635L56404R	635L56438R
	1800					635L58403R	635L58437R	635L58404R	635L58438R
8	1350	133	133	138	138	635M51403R	635M51437R	635M51404R	635M51438R
	*1450					635M53403R	635M53437R	635M53404R	635M53438R
	1600					635M56403R	635M56437R	635M56404R	635M56438R
	1800					635M58403R	635M58437R	635M58404R	635M58438R

\*Maximum recommended settings for 1000 min<sup>-1</sup> velocity.



For primary drivelines, always install any torque limiter or overrunning clutch on the implement side. All rotating parts must be guarded.

**FFV42**  
 Adjustable setting



Ref.	Size	Spare parts code	Description	Technical data
1		432000006R08	Bolt	M10 x 85 mm
2		351013370R08	Coil springs	f = 7 mm
3	5	2530G1E05R	Flange yoke	
	6	2530H1E05R		
	7	2530L1E05R		
	8	2530M1E05R		
4		258005320R02	Bushing	
5		247006351R08	Friction lining	D = 162 ; d = 85 mm
6		515870305R	Hub with push pin	1 3/8" Z6
		515873705R		1 3/8" Z21
		515870405R		1 3/4" Z6
		515873805R		1 3/4" Z20
7		408000047R02	Taper pin	1 3/8" Z6 - Z21
		408000046R02		1 3/4" Z6 - Z20
8		2481E0007R02	Inner plate	Thickness = 4 mm
9		248230006R02	Pressure plate	



For primary drivelines, always install any torque limiter or overrunning clutch on the implement side.  
 All rotating parts must be guarded.

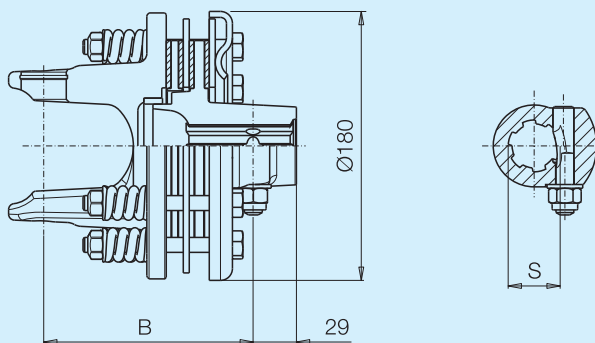


# Friction torque limiters

100


## FFV34

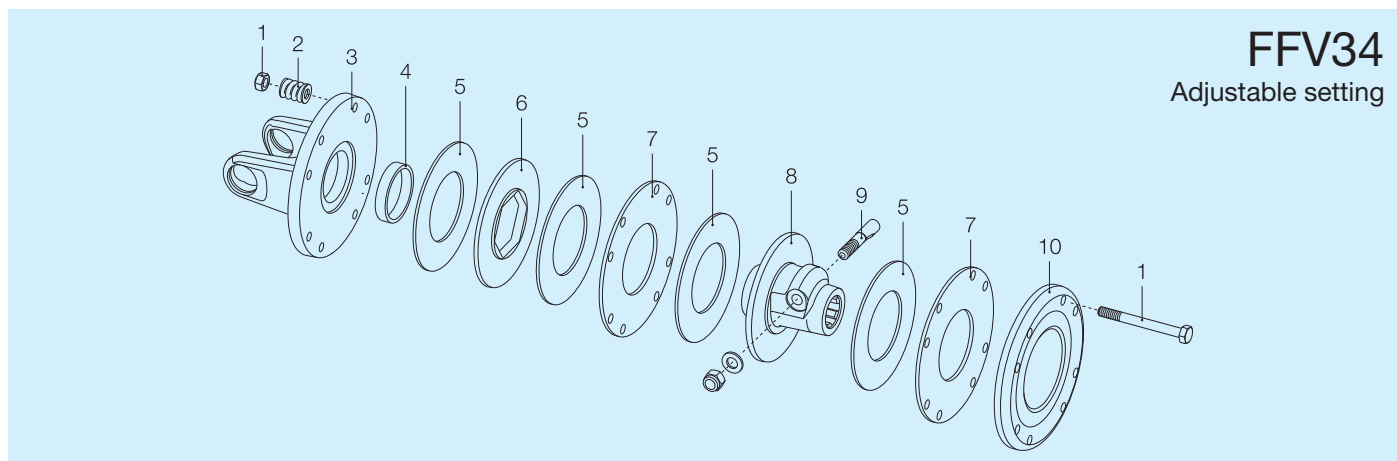
Adjustable setting




Size	Torque Nm	B (mm)				Spare parts code			
		S 1 3/8" Z6	S 1 3/8" Z21	S 1 3/4" Z6	S 1 3/4" Z20	1 3/8" Z6	1 3/8" Z21	1 3/4" Z6	1 3/4" Z20
5	1200	133	133	138	138	635G48303R	635G48337R	635G48304R	635G48338R
6	*1200	140	140	145	145	635H48303R	635H48337R	635H48304R	635H48338R
	1350					635H51303R	635H51337R	635H51304R	635H51338R
	1450					635H53303R	635H53337R	635H53304R	635H53338R
7	1350	146	146	151	151	635L51303R	635L51337R	635L51304R	635L51338R
	*1450					635L53303R	635L53337R	635L53304R	635L53338R
	1600					635L56303R	635L56337R	635L56304R	635L56338R
	1800					635L58303R	635L58337R	635L58304R	635L58338R
8	*1800	148	148	153	153	635M58303R	635M58337R	635M58304R	635M58338R
	2000					635M60303R	635M60337R	635M60304R	635M60338R

\*Maximum recommended settings for 1000 min<sup>-1</sup> velocity.

 For primary drivelines, always install any torque limiter or overrunning clutch on the implement side. All rotating parts must be guarded.



Ref.	Size	Spare parts code	Description	Technical data
1		432000007R08	Bolt	M10 x 100 mm
2		351022370R08	Coil springs	f = 6 mm
3	5	2530G1C05R	Flange yoke	
	6	2530H1C05R		
	7	2530L1C05R		
	8	2530M1C05R		
4		258005320R02	Bushing	
5		247006251R08	Friction lining	D = 141 ; d = 77 mm
6		248727702R02	Driving disc	
7		2481C0007R02	Inner plate	Thickness = 4 mm
8		515890305R	Hub with taper pin	1 3/8" Z6
		515893705R		1 3/8" Z21
		515890405R		1 3/4" Z6
		515893805R		1 3/4" Z20
9		408000047R02	Taper pin	1 3/8" Z6 - Z21
		408000049R02		1 3/4" Z6 - Z20
10		248220007R02	Pressure plate	

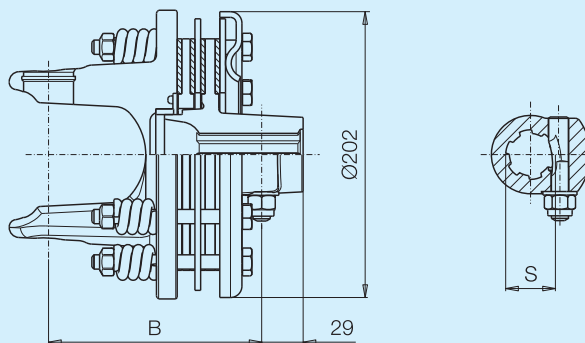
 For primary drivelines, always install any torque limiter or overrunning clutch on the implement side.  
 All rotating parts must be guarded.

# Friction torque limiters

100

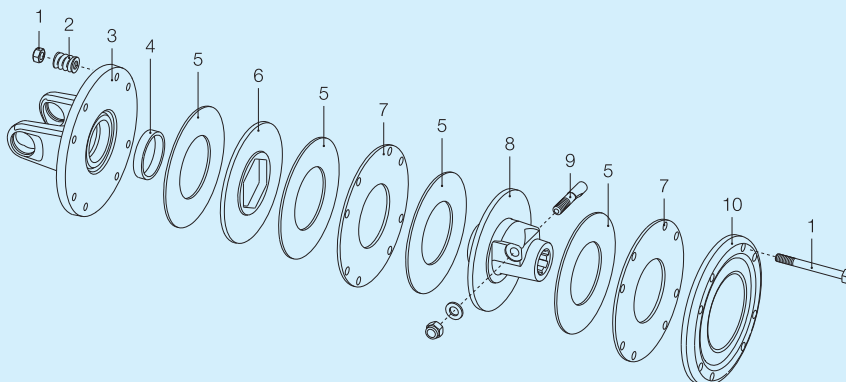
## FFV44

Adjustable setting

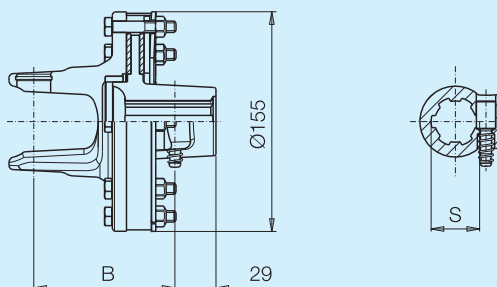


Size	Torque Nm	B (mm)				Spare parts code			
		S 1 3/8" Z6	S 1 3/8" Z21	S 1 3/4" Z6	S 1 3/4" Z20	1 3/8" Z6	1 3/8" Z21	1 3/4" Z6	1 3/4" Z20
7	1800	147	147	152	152	635L58503R	635L58537R	635L58504R	635L58538R
	*1800	149	149	154	154	635M58503R	635M58537R	635M58504R	635M58538R
	2000					635M60503R	635M60537R	635M60504R	635M60538R
2200	635M62503R	635M62537R	635M62504R	635M62538R					

\*Maximum recommended settings for 1000 min<sup>-1</sup> velocity.



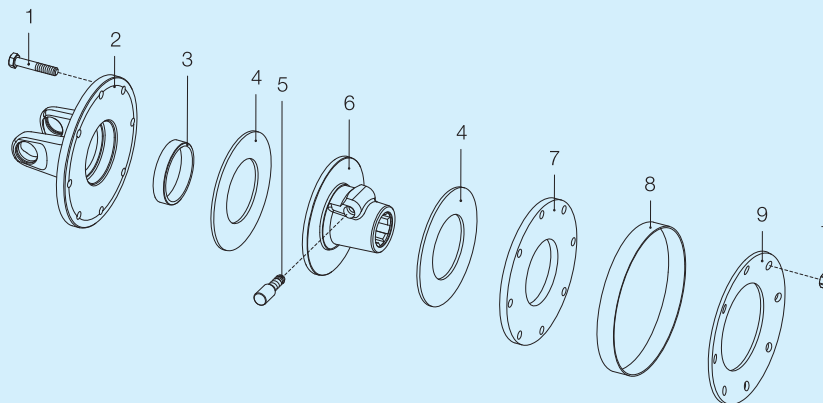
Ref.	Size	Spare parts code	Description	Technical data
1		432000122R08	Bolt	M10 x 105 mm
2		351013370R08	Coil springs	f = 7 mm
3	7	2530L1E05R	Flange yoke	
	8	2530M1E05R		
4		258005320R02	Bushing	
5		247006351R08	Friction lining	D = 162 ; d = 85 mm
6		248737702R02	Driving disc	
7		2481E0007R02	Inner plate	Thickness = 4 mm
8		515900305R	Hub with taper pin	1 3/8" Z6
		515903705R		1 3/8" Z21
		515900405R		1 3/4" Z6
		515903805R		1 3/4" Z20
9		408000047R02	Taper pin	1 3/8" Z6 - Z21
		408000046R02		1 3/4" Z6 - Z20
10		248230006R02	Pressure plate	



**FT22**  
 Non-adjustable setting

Size	Torque Nm	B (mm)				Spare parts code			
		S 1 3/8" Z6	S 1 3/8" Z21	S 1 3/4" Z6	S 1 3/4" Z20	1 3/8" Z6	1 3/8" Z21	1 3/4" Z6	1 3/4" Z20
1	*400	92	92	---	---	663B24103R	663B24137R	---	---
	500					663B28103R	663B28137R	---	---
2	*500	100	100	---	---	663C28103R	663C28137R	---	---
	600					663C32103R	663C32137R	---	---
43	*600	101	101	---	---	663E32103R	663E32137R	---	---
	800					663E39103R	663E39137R	---	---
4	800	101	101	---	---	663E39103R	663E39137R	---	---

\*Maximum recommended settings for 1000 min<sup>-1</sup> velocity.



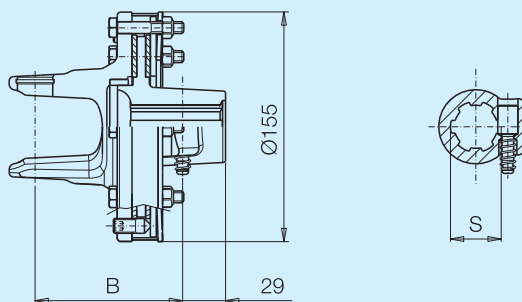
Ref.	Size	Spare parts code	Description	Technical data
1		432000047R08	Bolt	M8 x 75 mm
2	1	2530B8503R	Flange yoke	
	2	2530C8503R		
	43-4	2530E8503R		
3		258005320R02	Bushing	
4		247006151R08	Friction lining	D = 124 ; d = 67 mm
5		403000001R10	Push-pin kit	1 3/8" Z6 - Z21
6		513850307R	Hub with push-pin	1 3/8" Z6
		513853707R		1 3/8" Z21
7		2481A0002R02	Pressure plate	Thickness = 4 mm
8		240001059R02	Adjustment band	
9		367FT220A	Belleville spring	400 Nm
		367FT220C		500 Nm
		367FT220D		600 Nm
		367FT220E		800 Nm

# Friction torque limiters

100

## FT22R

Non-adjustable setting

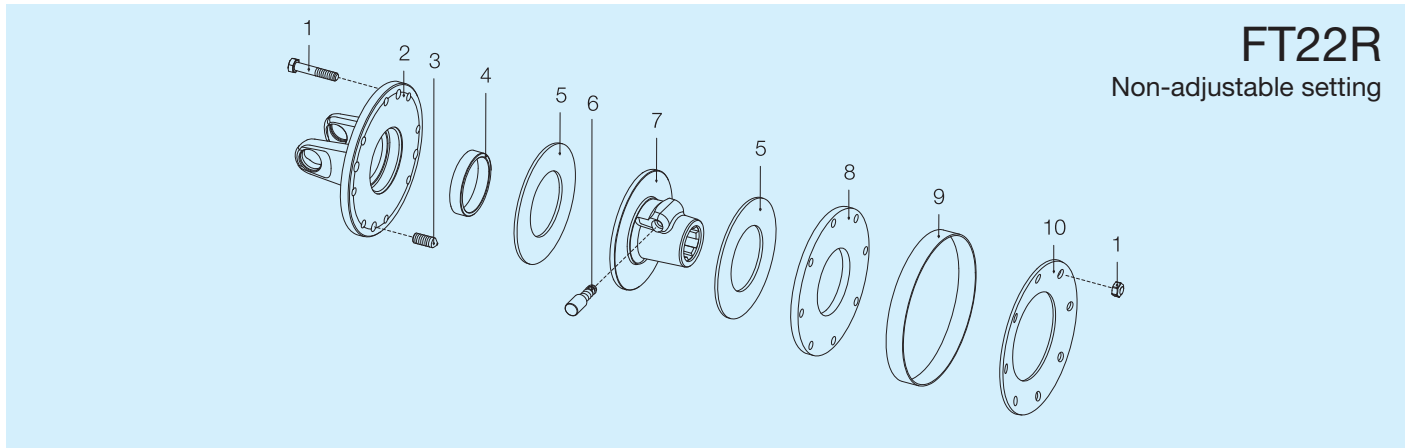


Size	Torque Nm	B (mm)				Spare parts code			
		S 1 3/8" Z6	S 1 3/8" Z21	S 1 3/4" Z6	S 1 3/4" Z20	1 3/8" Z6	1 3/8" Z21	1 3/4" Z6	1 3/4" Z20
1	*400	92	92	---	---	663B24A03R	663B24A37R	---	---
	500					663B28A03R	663B28A37R	---	---
2	*500	100	100	---	---	663C28A03R	663C28A37R	---	---
	600					663C32A03R	663C32A37R	---	---
43	*600	101	101	---	---	663E32A03R	663E32A37R	---	---
	800					663E39A03R	663E39A37R	---	---
4	800	101	101	---	---	663E39A03R	663E39A37R	---	---


\*Maximum recommended settings for 1000 min<sup>-1</sup> velocity.



For primary drivelines, always install any torque limiter or overrunning clutch on the implement side.  
All rotating parts must be guarded.



Ref.	Size	Spare parts code	Description	Technical data
1		432000047R08	Bolt	M8 x 45 mm
2	1	2530B8504R	Flange yoke	
	2	2530C8504R		
	43-4	2530E8504R		
3		310001300R04	Special socket head set screw	M10 x 25 mm
4		258005320R02	Bushing	
5		247006151R08	Friction lining	D = 124 ; d = 67 mm
6		403000001R10	Push-pin kit	1 3/8" Z6 - Z21
7		513850307R	Hub with push-pin	1 3/8" Z6
		513853707R		1 3/8" Z21
8		2481A0002R02	Pressure plate	Thickness = 4 mm
9		240001059R02	Adjustment band	
10		367FT220A	Belleville spring	400 Nm
		367FT220C		500 Nm
		367FT220D		600 Nm
		367FT220E		800 Nm

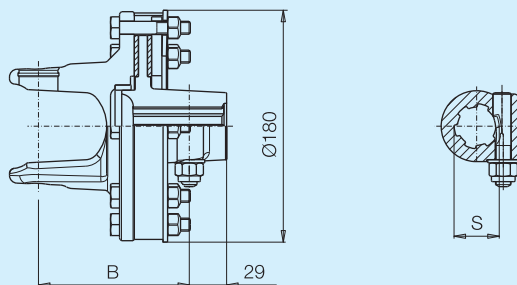
 For primary drivelines, always install any torque limiter or overrunning clutch on the implement side.  
 All rotating parts must be guarded.

# Friction torque limiters

100

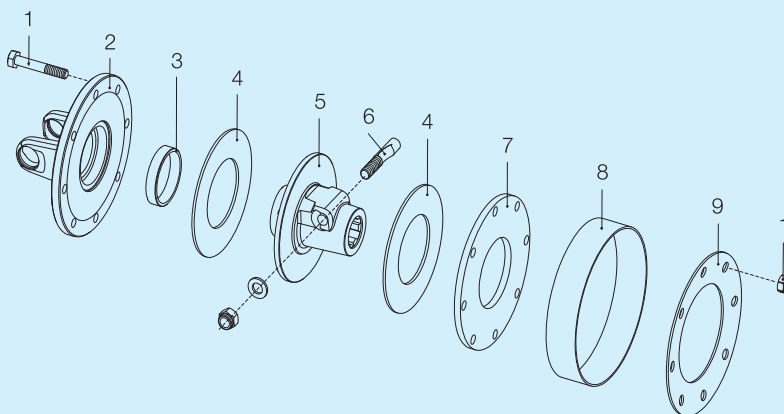
## FT32

Non-adjustable setting



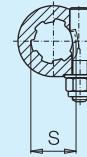
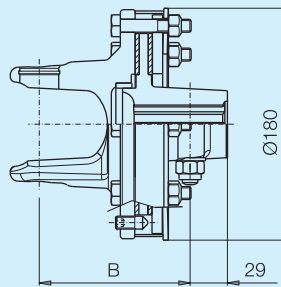
Size	Torque Nm	B (mm)				Spare parts code			
		S 1 3/8" Z6	S 1 3/8" Z21	S 1 3/4" Z6	S 1 3/4" Z20	1 3/8" Z6	1 3/8" Z21	1 3/4" Z6	1 3/4" Z20
4	*900	113	113	---	---	663E41203R	663E41237R	---	---
	1000					663E44203R	663E44237R	---	---
5	900	117	117	---	---	663G41203R	663G41237R	---	---
	1000					663G44203R	663G44237R	---	---
	*1100					663G46203R	663G46237R	---	---

\*Maximum recommended settings for 1000 min<sup>-1</sup> velocity.



Ref.	Size	Spare parts code	Description	Technical data
1		432000054R08	Bolt	M10 x 85 mm
2	4	253048602R	Flange yoke	
	5	253058901R		
3		258005320R02	Bushing	
4		247006251R08	Friction lining	D = 141 ; d = 77 mm
5		515860305R	Hub with taper pin	1 3/8" Z6
		515863705R		1 3/8" Z21
6		408000047R02	Taper pin	1 3/8" Z6 - Z21
7		248860005R02	Pressure plate	Thickness = 8 mm
8		240000213R02	Adjustment band	
9		367FT320A	Belleville spring	900 Nm
		367FT320C		1000 Nm
		367FT320D		1100 Nm

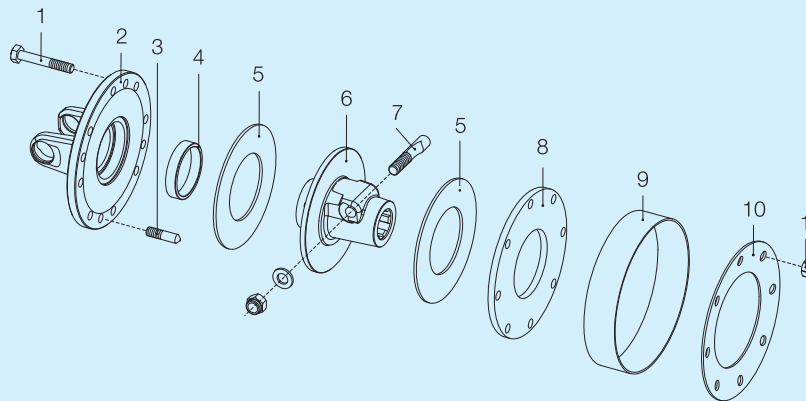
For primary drivelines, always install any torque limiter or overrunning clutch on the implement side. All rotating parts must be guarded.



**FT32R**  
 Non-adjustable setting

Size	Torque Nm	B (mm)				Spare parts code			
		S 1 3/8" Z6	S 1 3/8" Z21	S 1 3/4" Z6	S 1 3/4" Z20	1 3/8" Z6	1 3/8" Z21	1 3/4" Z6	1 3/4" Z20
4	*900	113	113	---	---	663E41C03R	663E41C37R	---	---
	1000					663E44C03R	663E44C37R	---	---
5	900	117	117	---	---	663G41C03R	663G41C37R	---	---
	1000					663G44C03R	663G44C37R	---	---
	*1100					663G46C03R	663G46C37R	---	---

\*Maximum recommended settings for 1000 min<sup>-1</sup> velocity.



Ref.	Size	Spare parts code	Description	Technical data
1		432000054R08	Bolt	M10 x 55 mm
2	4	2530E8605R	Flange yoke	
	5	2530G8605R		
3		310001300R04	Special socket head set screw	M10 x 25 mm
4		258005320R02	Bushing	
5		247006251R08	Friction lining	D = 141 ; d = 77 mm
6		515860305R	Hub with taper pin	1 3/8" Z6
		515863705R		1 3/8" Z21
7		408000047R02	Taper pin	1 3/8" Z6 - Z21
8		248860005R02	Pressure plate	Thickness = 8 mm
9		240000213R02	Adjustment band	
10		367FT320A	Belleville spring	900 Nm
		367FT320C		1000 Nm
		367FT320D		1100 Nm

For primary drivelines, always install any torque limiter or overrunning clutch on the implement side.  
 All rotating parts must be guarded.

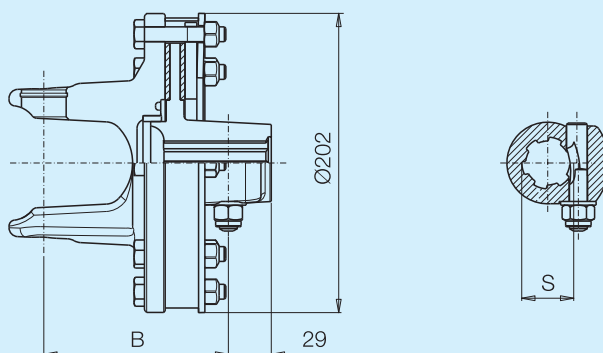


# Friction torque limiters

100


## FT42

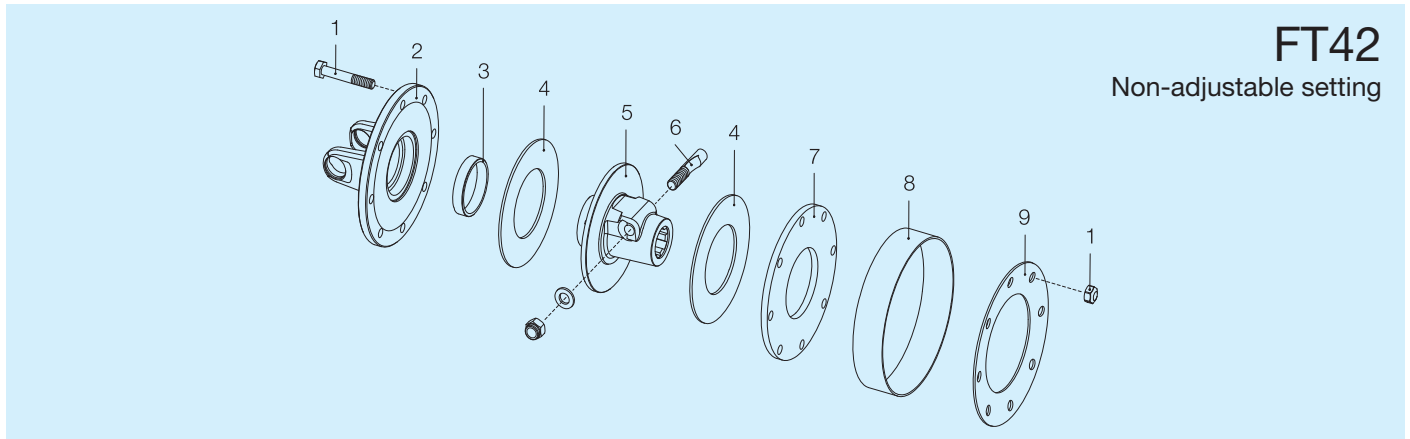
Non-adjustable setting



Size	Torque Nm	B (mm)				Spare parts code			
		S 1 3/8" Z6	S 1 3/8" Z21	S 1 3/4" Z6	S 1 3/4" Z20	1 3/8" Z6	1 3/8" Z21	1 3/4" Z6	1 3/4" Z20
5	1200	117	117	122	122	663G48403R	663G48437R	663G48404R	663G48438R
	1450	125	125	130	130	663H48403R	663H48437R	663H48404R	663H48438R
7	*1450	131	131	136	136	663L53403R	663L53437R	663L53404R	663L53438R
	1800					663L58403R	663L58437R	663L58404R	663L58438R

\*Maximum recommended settings for 1000 min<sup>-1</sup> velocity.


 For primary drivelines, always install any torque limiter or overrunning clutch on the implement side. All rotating parts must be guarded.



**FT42**

Non-adjustable setting

Ref.	Size	Spare parts code	Description	Technical data
1		432000054R08	Bolt	M10 x 55 mm
2	5	253058701R	Flange yoke	
	6	253069001R		
	7	253078702R		
3		258005320R02	Bushing	
4		247006351R08	Friction lining	D = 162 ; d = 85 mm
5		515870305R	Hub with taper pin	1 3/8" Z6
		515873705R		1 3/8" Z21
		515870405R		1 3/4" Z6
		515873805R		1 3/4" Z20
6		408000047R02	Taper pin	1 3/8" Z6 - Z21
		408000046R02		1 3/4" Z6 - Z20
7		248870005R	Pressure plate	Thickness = 8 mm
8		240000214R02	Adjustment band	
9		367FT420A	Belleville spring	1200 Nm
		367FT420C		1450 Nm
		367FT420D		1800 Nm

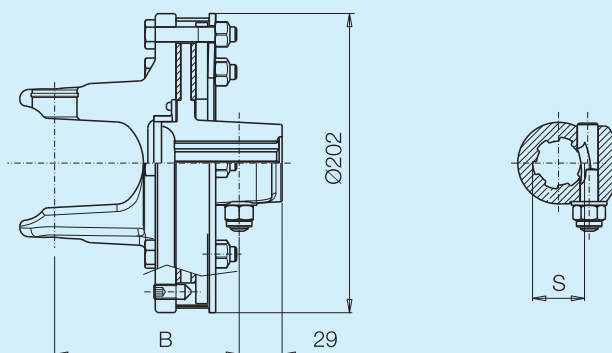
 For primary drivelines, always install any torque limiter or overrunning clutch on the implement side.  
 All rotating parts must be guarded.

# Friction torque limiters

100


## FT42R

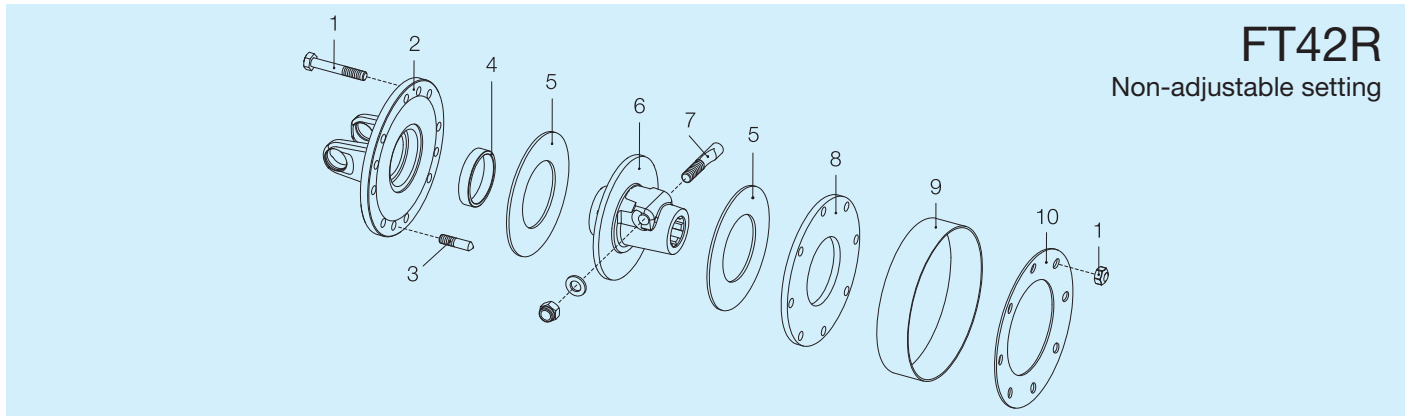
Non-adjustable setting



Size	Torque Nm	B (mm)				Spare parts code			
		S 1 3/8" Z6	S 1 3/8" Z21	S 1 3/4" Z6	S 1 3/4" Z20	1 3/8" Z6	1 3/8" Z21	1 3/4" Z6	1 3/4" Z20
5	1200	117	117	122	122	663G48F03R	663G48F37R	663G48F04R	663G48F38R
6	*1200	125	125	130	130	663H48F03R	663H48F37R	663H48F04R	663H48F38R
	1450					663H53F03R	663H53F37R	663H53F04R	663H53F38R
7	*1450	131	131	136	136	663L53F03R	663L53F37R	663L53F04R	663L53F38R
	1800					663L58F03R	663L58F37R	663L58F04R	663L58F38R

\*Maximum recommended settings for 1000 min<sup>-1</sup> velocity.


 For primary drivelines, always install any torque limiter or overrunning clutch on the implement side. All rotating parts must be guarded.



**FT42R**

Non-adjustable setting

Ref.	Size	Spare parts code	Description	Technical data
1		432000054R08	Bolt	M10 x 55 mm
2	5	2530G8705R	Flange yoke	
	6	2530H8705R		
	7	2530L8705R		
3		310001300R04	Special socket head set screw	M10 x 25 mm
4		258005320R02	Bushing	
5		247006351R08	Friction lining	D = 162 ; d = 85 mm
6		515870305R	Hub with taper pin	1 3/8" Z6
		515873705R		1 3/8" Z21
		515870405R		1 3/4" Z6
		515873805R		1 3/4" Z20
7		408000047R02	Taper pin	1 3/8" Z6 - Z21
		408000046R02		1 3/4" Z6 - Z20
8		248870005R	Pressure plate	Thickness = 8 mm
9		240000214R02	Adjustment band	
10		367FT420A	Belleville spring	1200 Nm
		367FT420C		1450 Nm
		367FT420D		1800 Nm

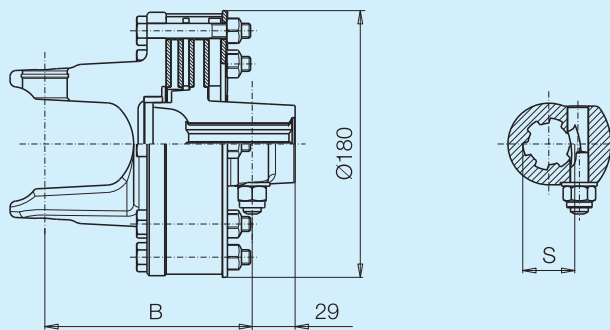
 For primary drivelines, always install any torque limiter or overrunning clutch on the implement side.  
 All rotating parts must be guarded.

# Friction torque limiters

100


## FT34

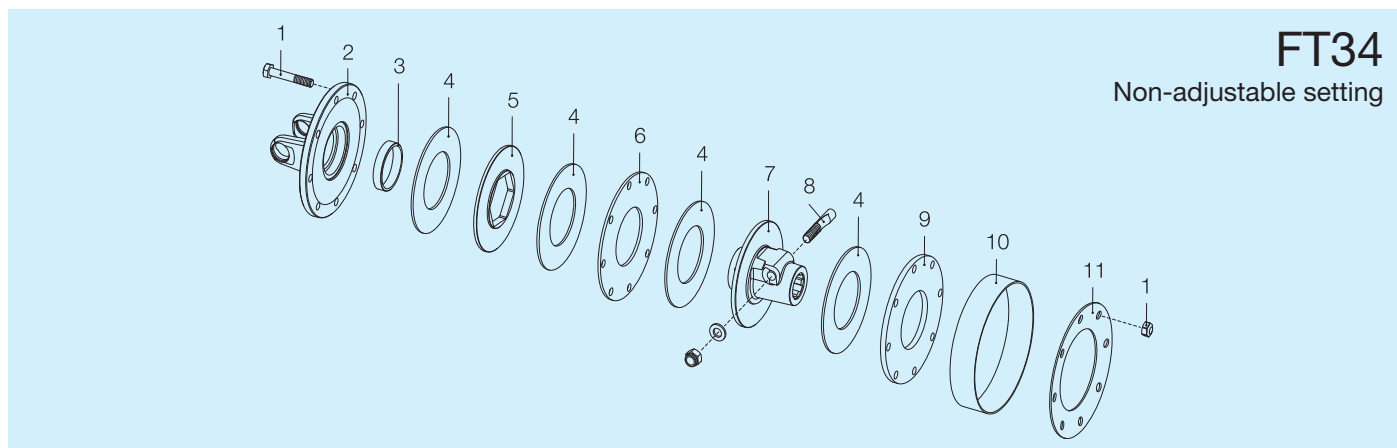
Non-adjustable setting




Size	Torque Nm	B (mm)				Spare parts code			
		S 1 3/8" Z6	S 1 3/8" Z21	S 1 3/4" Z6	S 1 3/4" Z20	1 3/8" Z6	1 3/8" Z21	1 3/4" Z6	1 3/4" Z20
5	1200	133	133	138	138	663G48303R	663G48337R	663G48304R	663G48338R
6	*1200	140	140	145	145	663H48303R	663H48337R	663H48304R	663H48338R
	1450					663H53303R	663H53337R	663H53304R	663H53338R
7	*1450	146	146	151	151	663L53303R	663L53337R	663L53304R	663L53338R
	1800					663L58303R	663L58337R	663L58304R	663L58338R

\*Maximum recommended settings for 1000 min<sup>-1</sup> velocity.

 For primary drivelines, always install any torque limiter or overrunning clutch on the implement side. All rotating parts must be guarded.



Ref.	Size	Spare parts code	Description	Technical data
1		432000045R08	Bolt	M10 x 65 mm
2	5	253058901R	Flange yoke	
	6	253068903R		
	7	253078601R		
3		258005320R02	Bushing	
4		247006251R08	Friction lining	D = 141 ; d = 77 mm
5		248727702R02	Driving disc	
6		248860001R02	Inner disc	Thickness = 4 mm
7		515890305R	Hub with taper pin	1 3/8" Z6
		515893705R		1 3/8" Z21
		515890405R		1 3/4" Z6
		515893805R		1 3/4" Z20
8		408000047R02	Taper pin	1 3/8" Z6 - Z21
		408000049R02		1 3/4" Z6 - Z20
9		248860005R02	Pressure plate	Thickness = 8 mm
10		240000218R02	Adjustment band	
11		367FT340A	Belleville spring	1200 Nm
		367FT340C		1450 Nm
		367FT340D		1800 Nm

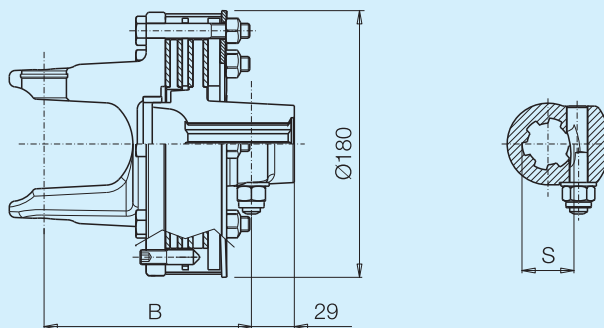
 For primary drivelines, always install any torque limiter or overrunning clutch on the implement side.  
 All rotating parts must be guarded.

# Friction torque limiters

**100**


## FT34R

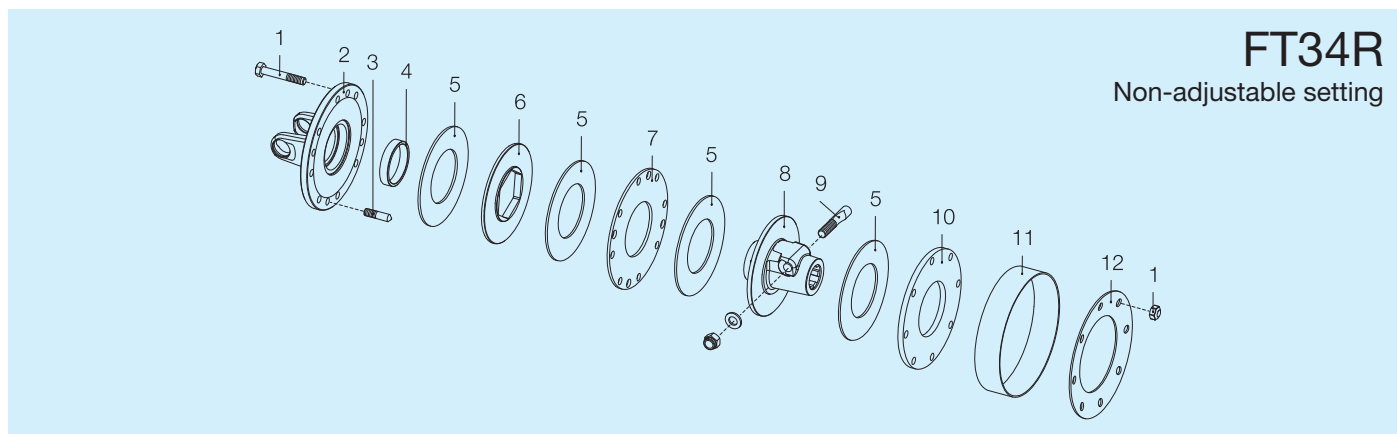
Non-adjustable setting



Size	Torque Nm	B (mm)				Spare parts code			
		S 1 3/8" Z6	S 1 3/8" Z21	S 1 3/4" Z6	S 1 3/4" Z20	1 3/8" Z6	1 3/8" Z21	1 3/4" Z6	1 3/4" Z20
5	1200	133	133	138	138	663G48E03R	663G48E37R	663G48E04R	663G48E38R
6	*1200	140	140	145	145	663H48E03R	663H48E37R	663H48E04R	663H48E38R
	1450					663H53E03R	663H53E37R	663H53E04R	663H53E38R
7	*1450	146	146	151	151	663L53E03R	663L53E37R	663L53E04R	663L53E38R
	1800					663L58E03R	663L58E37R	663L58E04R	663L58E38R

\*Maximum recommended settings for 1000 min<sup>-1</sup> velocity.

 For primary drivelines, always install any torque limiter or overrunning clutch on the implement side. All rotating parts must be guarded.



Ref.	Size	Spare parts code	Description	Technical data
1		432000045R08	Bolt	M10 x 65 mm
2	5	2530G8605R	Flange yoke	
	6	2530H8605R		
	7	2530L8605R		
3		310001301R04	Special socket head set screw	M10 x 40 mm
4		258005320R02	Bushing	
5		247006251R08	Friction lining	D = 141 ; d = 77 mm
6		248727702R02	Driving disc	
7		248860006R02	Inner disc	Thickness = 4 mm
8		515890305R	Hub with taper pin	1 3/8" Z6
		515893705R		1 3/8" Z21
		515890405R		1 3/4" Z6
		515893805R		1 3/4" Z20
9		408000047R02	Taper pin	1 3/8" Z6 - Z21
		408000049R02		1 3/4" Z6 - Z20
10		248860005R02	Pressure plate	Thickness = 8 mm
11		240000218R02	Adjustment band	
12		367FT340A	Belleville spring	1200 Nm
		367FT340C		1450 Nm
		367FT340D		1800 Nm



For primary drivelines, always install any torque limiter or overrunning clutch on the implement side.  
 All rotating parts must be guarded.

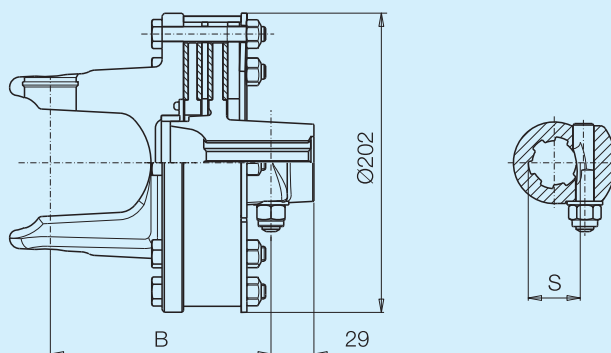


# Friction torque limiters

100


## FT44

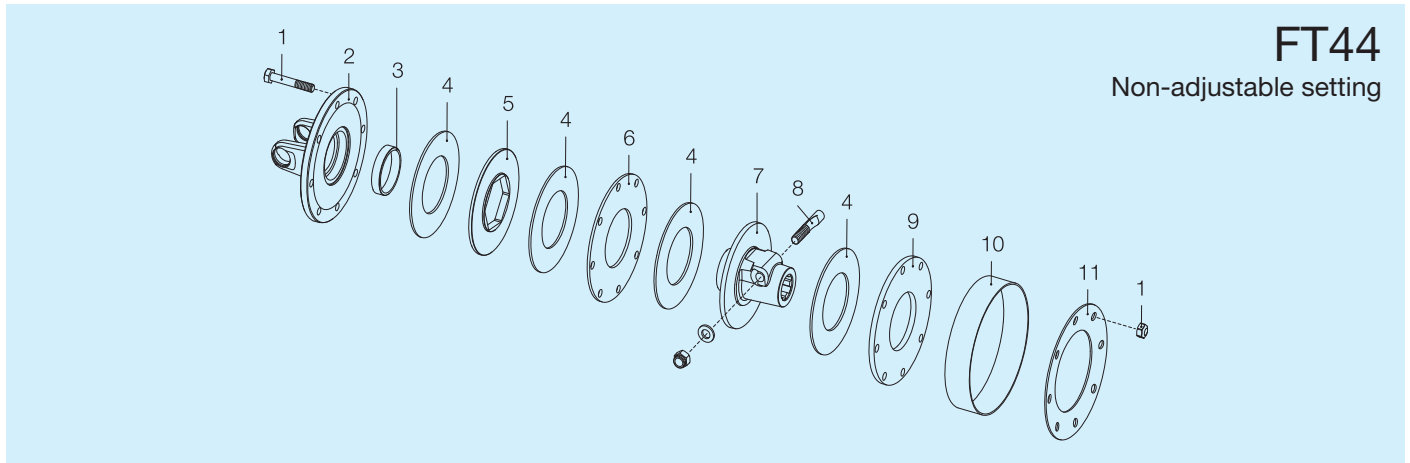
Non-adjustable setting




Size	Torque Nm	B (mm)				Spare parts code			
		S 1 3/8" Z6	S 1 3/8" Z21	S 1 3/4" Z6	S 1 3/4" Z20	1 3/8" Z6	1 3/8" Z21	1 3/4" Z6	1 3/4" Z20
7	1800	147	147	152	152	663L58503R	663L58537R	663L58504R	663L58538R
8	*1800	149	149	154	154	663M58503R	663M58537R	663M58504R	663M58538R
	2200					663M62503R	663M62537R	663M62504R	663M62538R

\*Maximum recommended settings for 1000 min<sup>-1</sup> velocity.

 For primary drivelines, always install any torque limiter or overrunning clutch on the implement side. All rotating parts must be guarded.



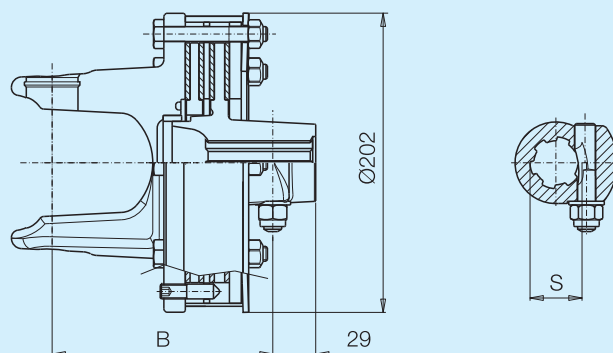
Ref.	Size	Spare parts code	Description	Technical data
1		432000100R08	Bolt	M10 x 55 mm
2	7	253078702R	Flange yoke	
	8	253089001R		
3		258005320R02	Bushing	
4		247006351R08	Friction lining	D = 162 ; d = 85 mm
5		248737702R02	Driving disc	
6		248870011R02	Inner disc	Thickness = 4 mm
7		515900305R	Hub with taper pin	1 3/8" Z6
		515903705R		1 3/8" Z21
		515900405R		1 3/4" Z6
		515903805R		1 3/4" Z20
8		408000047R02	Taper pin	1 3/8" Z6 - Z21
		408000046R02		1 3/4" Z6 - Z20
9		248870005R	Pressure plate	Thickness = 8 mm
10		240000219R02	Adjustment band	
11		367FT440A	Belleville spring	1800 Nm
		367FT440C		2200 Nm

 For primary drivelines, always install any torque limiter or overrunning clutch on the implement side.  
 All rotating parts must be guarded.

# Friction torque limiters


## FT44R

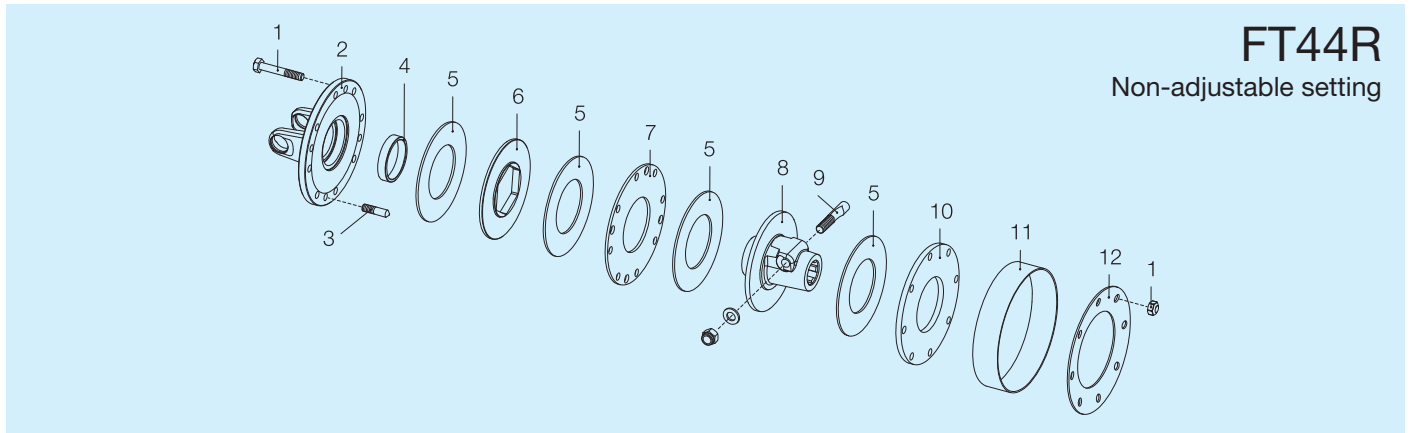
Non-adjustable setting



Size	Torque Nm	B (mm)				Spare parts code			
		S 1 3/8" Z6	S 1 3/8" Z21	S 1 3/4" Z6	S 1 3/4" Z20	1 3/8" Z6	1 3/8" Z21	1 3/4" Z6	1 3/4" Z20
7	1800	147	147	152	152	663L58G03R	663L58G37R	663L58G04R	663L58G38R
8	*1800	149	149	154	154	663M58G03R	663M58G37R	663M58G04R	663M58G38R
	2200					663M62G03R	663M62G37R	663M62G04R	663M62G38R

\*Maximum recommended settings for 1000 min<sup>-1</sup> velocity.

 For primary drivelines, always install any torque limiter or overrunning clutch on the implement side. All rotating parts must be guarded.



**FT44R**

Non-adjustable setting

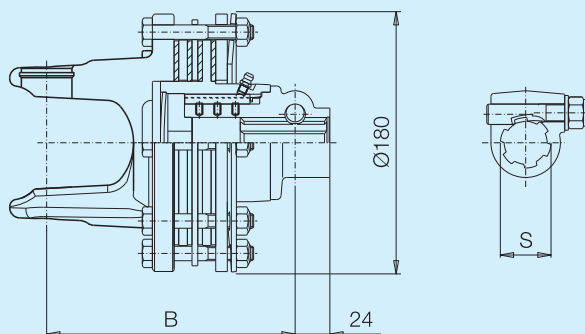
Ref.	Size	Spare parts code	Description	Technical data
1		432000100R08	Bolt	M10 x 70 mm
2	7	2530L8705R	Flange yoke	
	8	2530M8705R		
3		310001301R04	Special socket head set screw	M10 x 40 mm
4		258005320R02	Bushing	
5		247006351R08	Friction lining	D = 162 ; d = 85 mm
6		248737702R02	Driving plate	
7		248870013R02	Inner disc	Thickness = 4 mm
8		515900305R	Hub with taper pin	1 3/8" Z6
		515903705R		1 3/8" Z21
		515900405R		1 3/4" Z6
		515903805R		1 3/4" Z20
9		408000047R02	Taper pin	1 3/8" Z6 - Z21
		408000046R02		1 3/4" Z6 - Z20
10		248870005R	Pressure plate	Thickness = 8 mm
11		240000219R02	Adjustment band	
12		367FT440A	Belleville spring	1800 Nm
		367FT440C		2200 Nm



For primary drivelines, always install any torque limiter or overrunning clutch on the implement side.  
 All rotating parts must be guarded.

# FNV34

Adjustable setting

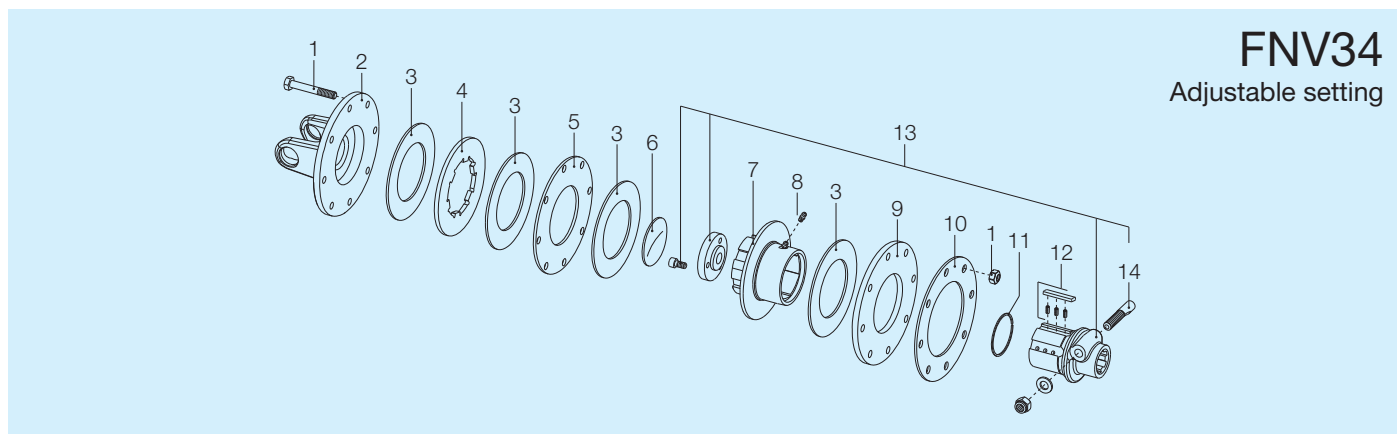


Size	Torque Nm	B (mm)				Spare parts code			
		S 1 3/8" Z6	S 1 3/8" Z21	S 1 3/4" Z6	S 1 3/4" Z20	1 3/8" Z6	1 3/8" Z21	1 3/4" Z6	1 3/4" Z20
5	1200	158	158	---	---	665G48103R	665G48137R	---	---
6	*1200	166	166	---	---	665H48103R	665H48137R	---	---
	1350					665H51103R	665H51137R	---	---
	1450					665H53103R	665H53137R	---	---
7	1350	172	172	---	---	665L51103R	665L51137R	---	---
	*1450					665L53103R	665L53137R	---	---
	1600					665L56103R	665L56137R	---	---
	1800					665L58103R	665L58137R	---	---
S9	*1800	174	174	---	---	665M58103R	665M58137R	---	---
	2000					665M60103R	665M60137R	---	---

\*Maximum recommended settings for 1000 min<sup>-1</sup> velocity.

 For primary drivelines, always install any torque limiter or overrunning clutch on the implement side. All rotating parts must be guarded.

**SERIES OUT OF PRODUCTION - ONLY AVAILABLE AS SPARE PARTS**  
**100** Combination friction torque limiter and overrunning clutch



**FNV34**  
Adjustable setting

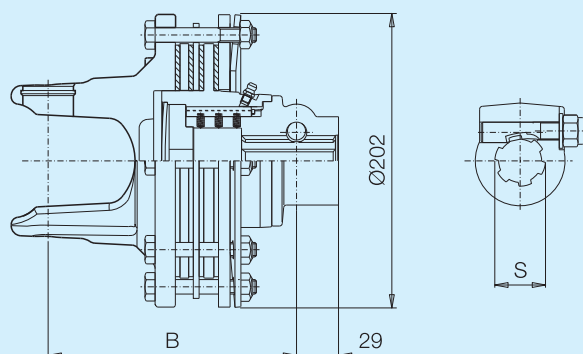
Ref.	Size	Spare parts code	Description	Technical data
1		432000114R08	Bolt	M 10 x 75 mm
2	5	2530G1L01R	Flange yoke	
	6	2530H1L01R		
	7	2530L1L01R		
	8	2530M1L01R		
3		247000054R08	Friction lining	D = 140 ; d = 85 mm
4		2481L0003R02	Driving plate	
5		2481L0001R02	Inner plate	Thickness = 4 mm
6		240000746R05	Locking plate	
7		4271L0101R	Overrunning clutch housing	
8		348017000R20	Grease fitting	
9		2481L0005R02	Pressure plate	Thickness = 8 mm
10		367008860R	Belleville spring	1200 Nm
11		339002060R20	Snap ring	
12		4211L0001R06	Pawl + springs kit	
13		5151L0351R	Hub, plug and taper pin kit	1 3/8" Z6
		5151L3751R		1 3/8" Z21
14		408000047R02	Taper pin	1 3/8" Z6 - Z21



For primary drivelines, always install any torque limiter or overrunning clutch on the implement side.  
 All rotating parts must be guarded.


# FNV44

Adjustable setting



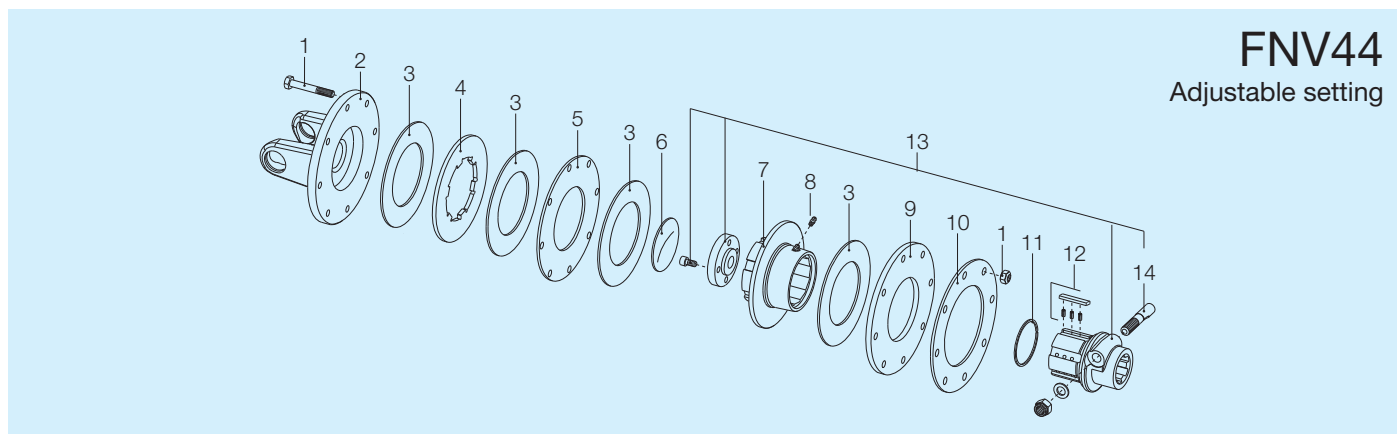
Size	Torque Nm	B (mm)				Spare parts code			
		S 1 3/8" Z6	S 1 3/8" Z21	S 1 3/4" Z6	S 1 3/4" Z20	1 3/8" Z6	1 3/8" Z21	1 3/4" Z6	1 3/4" Z20
7	1800	172	172	172	172	665L58203R	665L58237R	665L58204R	665L58238R
8	*1800	174	174	174	174	665M58203R	665M58237R	665M58204R	665M58238R
	2000					665M60203R	665M60237R	665M60204R	665M60238R
	2200					665M62203R	665M62237R	665M62204R	665M62238R

\*Maximum recommended settings for 1000 min<sup>-1</sup> velocity.

 For primary drivelines, always install any torque limiter or overrunning clutch on the implement side. All rotating parts must be guarded.

# SERIES OUT OF PRODUCTION - ONLY AVAILABLE AS SPARE PARTS

## 100 Combination friction torque limiter and overrunning clutch



**FNV44**  
Adjustable setting

Ref.	Size	Spare parts code	Description	Technical data
1		432000114R08	Bolt	M 10 x 75 mm
2	7	2530L1M01R	Flange yoke	
	8	2530M1M01R		
3		247000061R08	Friction lining	D = 160 ; d = 97 mm
4		2481M0001R02	Driving plate	
5		2481M0002R02	Inner plate	Thickness = 4 mm
6		240000748R05	Locking plate	
7		4271M0101R	Overrunning clutch housing	
8		348017000R20	Grease fitting	
9		2481H0004R02	Pressure plate	Thickness = 8 mm
10		367009870R	Belleville spring	
11		339002068R20	Snap ring	
12		4211L0001R06	Pawl + springs kit	
		5151M0351R		
		5151M3751R		
		5151M0451R		
13		5151M0351R	Hub, plug and taper pin kit	1 3/8" Z6
		5151M3751R		1 3/8" Z21
		5151M0451R		1 3/4" Z6
		5151M3851R		1 3/4" Z20
14		408000047R02	Taper pin	1 3/8" Z6 - Z21
		408000046R02		1 3/4" Z6 - Z20

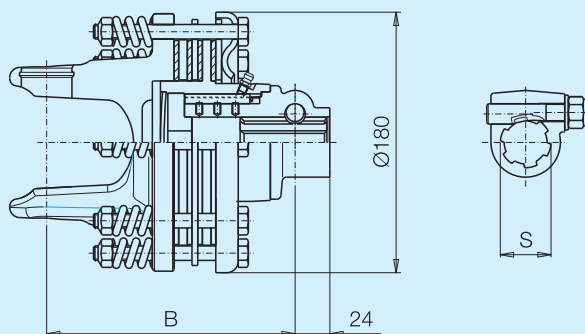


For primary drivelines, always install any torque limiter or overrunning clutch on the implement side.  
All rotating parts must be guarded.



# FFNV34

Adjustable setting

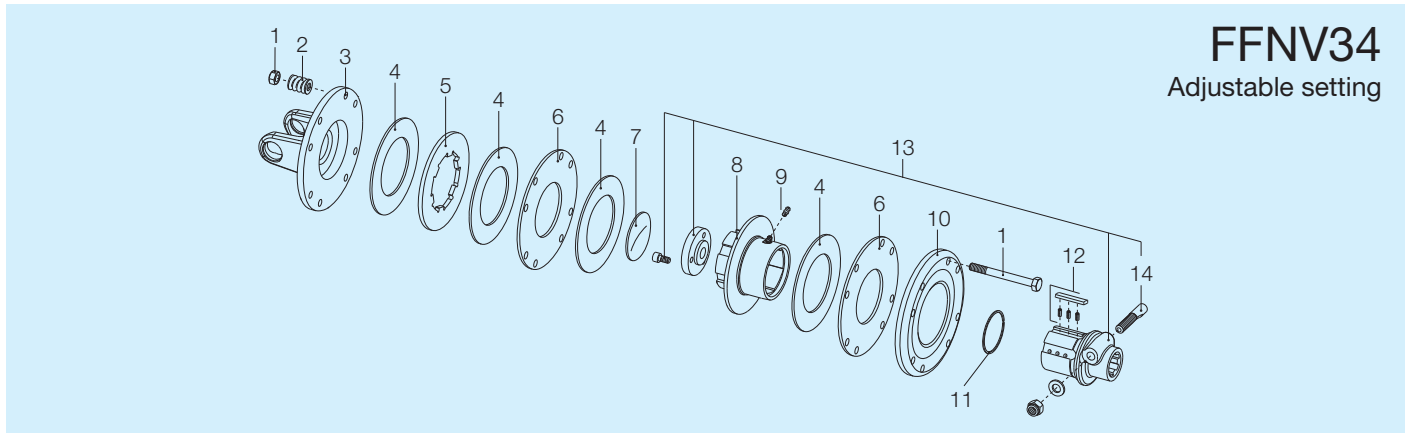


Size	Torque Nm	B (mm)				Spare parts code			
		S 1 3/8" Z6	S 1 3/8" Z21	S 1 3/4" Z6	S 1 3/4" Z20	1 3/8" Z6	1 3/8" Z21	1 3/4" Z6	1 3/4" Z20
5	1200	158	158	---	---	667G48103R	667G48137R	---	---
6	*1200	166	166	---	---	667H48103R	667H48137R	---	---
	1350					667H51103R	667H51137R	---	---
	1450					667H53103R	667H53137R	---	---
7	1350	172	172	---	---	667L51103R	667L51137R	---	---
	*1450					667L53103R	667L53137R	---	---
	1600					667L56103R	667L56137R	---	---
	1800					667L58103R	667L58137R	---	---
8	*1800	174	174	---	---	667M58103R	667M58137R	---	---
	2000					667M60103R	667M60137R	---	---

\*Maximum recommended settings for 1000 min<sup>-1</sup> velocity.



For primary drivelines, always install any torque limiter or overrunning clutch on the implement side.  
All rotating parts must be guarded.



**FFNV34**

Adjustable setting

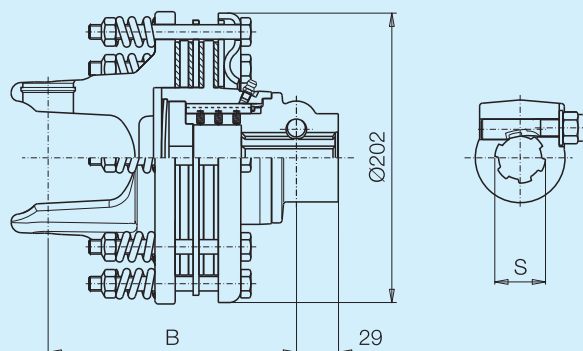
Ref.	Size	Spare parts code	Description	Technical data
1		432000007R08	Bolt	M10 x 100 mm
2		351022370R08	Coil spring	f = 6 mm
3	5	2530G1L05R	Flange yoke	
	6	2530H1L05R		
	7	2530L1L05R		
	8	2530M1L05R		
4		247000054R08	Friction lining	D = 140 ; d = 85 mm
5		2481L0003R02	Driving plate	
6		2481L0007R02	Inner plate	Thickness = 4 mm
7		240000746R05	Locking plate	
8		4271L0101R	Overrunning clutch housing	
9		348017000R20	Grease fitting	
10		248220007R02	Pressure plate	
11		339002060R20	Snap ring	
12		4211L0001R06	Pawl + springs kit	
13		5151L0351R	Hub, plug and taper pin kit	1 3/8" Z6
		5151L3751R		1 3/8" Z21
14		408000047R02	Taper pin	1 3/8" Z6 - Z21



For primary drivelines, always install any torque limiter or overrunning clutch on the implement side.  
All rotating parts must be guarded.


# FFNV44

Adjustable setting



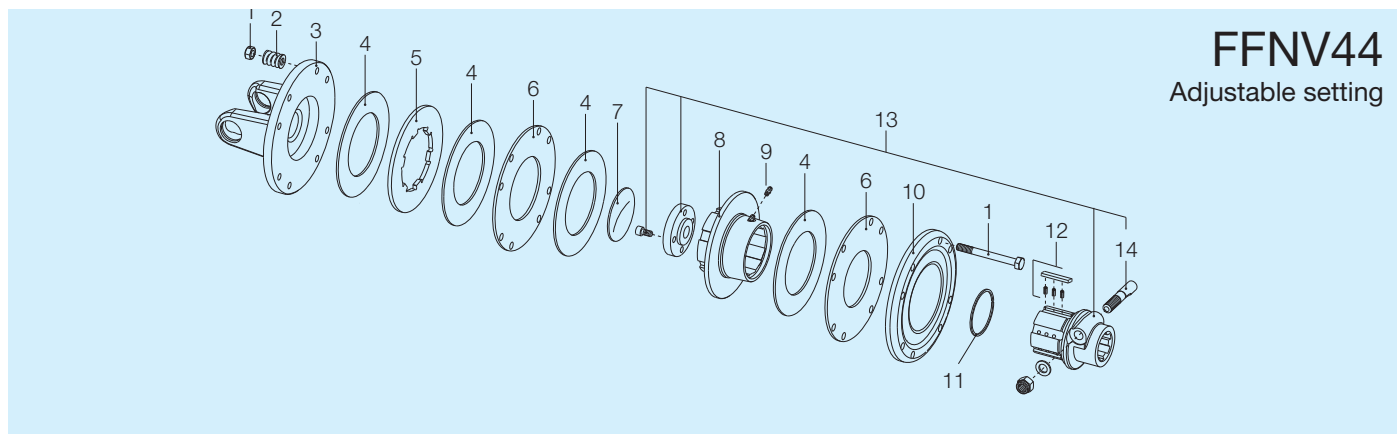
Size	Torque Nm	B (mm)				Spare parts code			
		S 1 3/8" Z6	S 1 3/8" Z21	S 1 3/4" Z6	S 1 3/4" Z20	1 3/8" Z6	1 3/8" Z21	1 3/4" Z6	1 3/4" Z20
7	1800	172	172	172	172	667L58203R	667L58237R	667L58204R	667L58238R
8	*1800	174	174	174	174	667M58203R	667M58237R	667M58204R	667M58238R
	2000					667M60203R	667M60237R	667M60204R	667M60238R
	2200					667M62203R	667M62237R	667M62204R	667M62238R

\*Maximum recommended settings for 1000 min<sup>-1</sup> velocity.

 For primary drivelines, always install any torque limiter or overrunning clutch on the implement side. All rotating parts must be guarded.

# SERIES OUT OF PRODUCTION - ONLY AVAILABLE AS SPARE PARTS

## 100 Combination friction torque limiter and overrunning clutch



**FFNV44**  
Adjustable setting

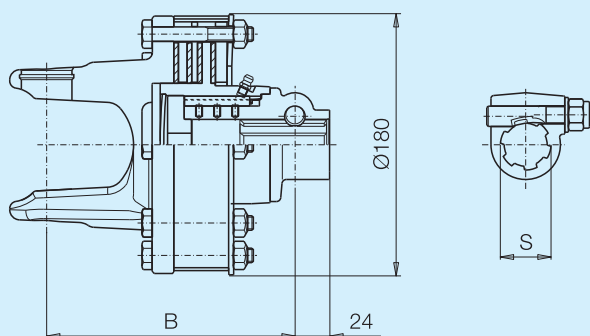
Ref.	Size	Spare parts code	Description	Technical data
1		432000122R08	Bolt	M10 x 105 mm
2		351013370R08	Coil spring	f = 7 mm
3	7	2530L1M05R	Flange yoke	
	8	2530M1M05R		
4		247000061R08	Friction lining	D = 160 ; d = 97 mm
5		2481M0001R02	Driving plate	
6		2481M0007R02	Inner plate	Thickness = 4 mm
7		240000748R05	Locking plate	
8		4271M0101R	Overrunning clutch housing	
9		348017000R20	Grease fitting	
10		248230006R02	Pressure plate	
11		339002068R20	Snap ring	
13		5151M0351R	Hub, plug and taper pin kit	1 3/8" Z6
		5151M3751R		1 3/8" Z21
		5151M0451R		1 3/4" Z6
		5151M3851R		1 3/4" Z20
14		408000047R02	Taper pin	1 3/8" Z6 - Z21
		408000046R02		1 3/4" Z6 - Z20



For primary drivelines, always install any torque limiter or overrunning clutch on the implement side.  
All rotating parts must be guarded.

## FNT34

Non-adjustable setting



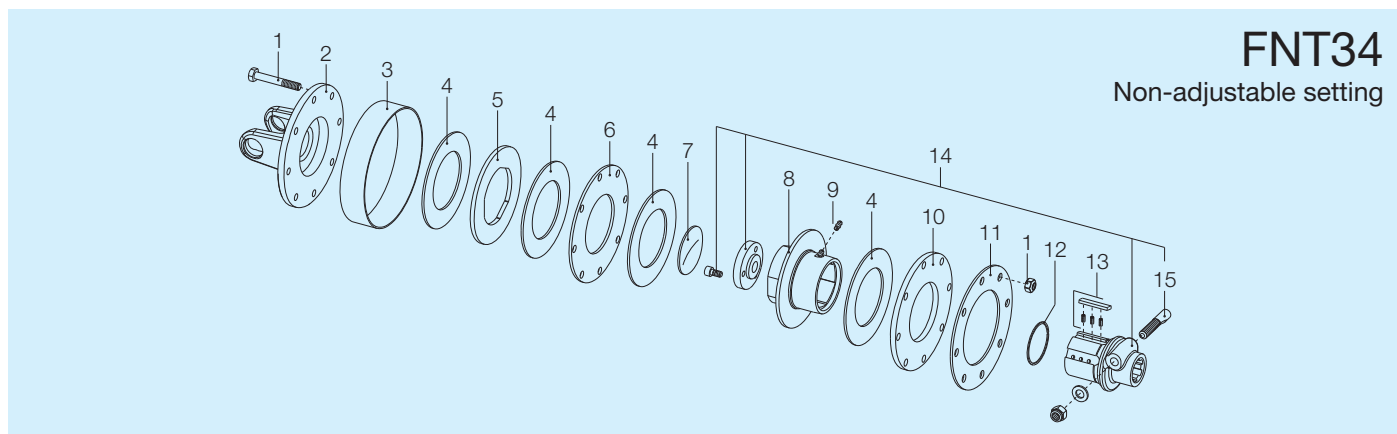
Size	Torque Nm	B (mm)				Spare parts code			
		S 1 3/8" Z6	S 1 3/8" Z21	S 1 3/4" Z6	S 1 3/4" Z20	1 3/8" Z6	1 3/8" Z21	1 3/4" Z6	1 3/4" Z20
5	1200	158	158	---	---	658G48103R	658G48137R	---	---
6	*1200	166	166	---	---	658H48103R	658H48137R	---	---
	1450					658H53103R	658H53137R	---	---
7	*1450	172	172	---	---	658L53103R	658L53137R	---	---
	1800					658L58103R	658L58137R	---	---
8	*1800	174	174	---	---	658M58103R	658M58137R	---	---

\*Maximum recommended settings for 1000 min<sup>-1</sup> velocity.



For primary drivelines, always install any torque limiter or overrunning clutch on the implement side.  
 All rotating parts must be guarded.

**SERIES OUT OF PRODUCTION - ONLY AVAILABLE AS SPARE PARTS**  
**100** Combination friction torque limiter and overrunning clutch



**FNT34**

Non-adjustable setting

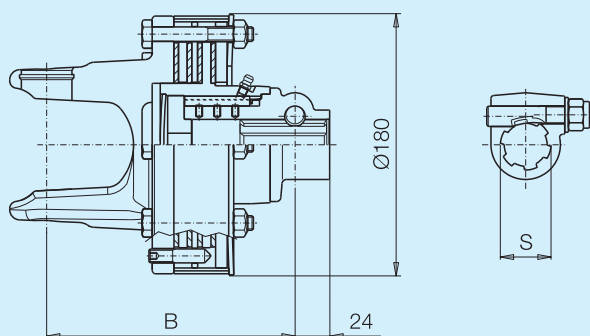
Ref.	Size	Spare parts code	Description	Technical data
1		432000100R08	Bolt	M10 x 65 mm
2	5	2530G1L01R	Flange yoke	
	6	2530H1L01R		
	7	2530L1L01R		
	8	2530M1L01R		
3		240000218R02	Adjustment band	
4		247000054R08	Friction lining	D = 140 ; d = 85 mm
5		2481L0003R02	Driving plate	
6		2481L0001R02	Inner plate	Thickness = 4 mm
7		240000746R05	Locking plate	
8		4271L0101R	Overrunning clutch housing	
9		348017000R20	Grease fitting	
10		2481L0002R02	Pressure plate	Thickness = 8 mm
11		367FT340A	Belleville spring	1200 Nm
		367FT340C		1450 Nm
		367FT340D		1800 Nm
12		339002060R20	Snap ring	
13		4211L0001R06	Pawl + springs kit	
14		5151L0351R	Hub, plug and taper pin kit	1 3/8" Z6
		5151L3751R		1 3/8" Z21
15		408000047R02	Taper pin	1 3/8" Z6 - Z21



For primary drivelines, always install any torque limiter or overrunning clutch on the implement side.  
 All rotating parts must be guarded.

## FNT34R

Non-adjustable setting



Size	Torque Nm	B (mm)				Spare parts code			
		S 1 3/8" Z6	S 1 3/8" Z21	S 1 3/4" Z6	S 1 3/4" Z20	1 3/8" Z6	1 3/8" Z21	1 3/4" Z6	1 3/4" Z20
5	1200	158	158	---	---	658G48203R	658G48237R	---	---
6	*1200	166	166	---	---	658H48203R	658H48237R	---	---
	1450					658H53203R	658H53237R	---	---
7	*1450	172	172	---	---	658L53203R	658L53237R	---	---
	1800					658L58203R	658L58237R	---	---
8	*1800	174	174	---	---	658M58203R	658M58237R	---	---

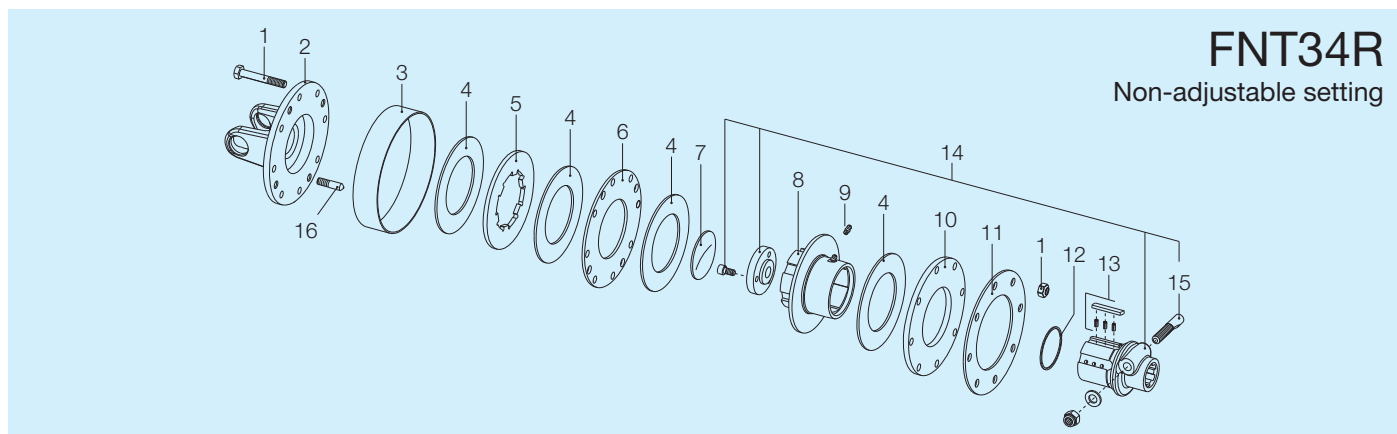
\*Maximum recommended settings for 1000 min<sup>-1</sup> velocity.



For primary drivelines, always install any torque limiter or overrunning clutch on the implement side.  
 All rotating parts must be guarded.

# SERIES OUT OF PRODUCTION - ONLY AVAILABLE AS SPARE PARTS

## 100 Combination friction torque limiter and overrunning clutch



### FNT34R

Non-adjustable setting

Ref.	Size	Spare parts code	Description	Technical data
1		432000100R08	Bolt	M10 x 70 mm
2	5	2530G1L02R	Flange yoke	
	6	2530H1L02R		
	7	2530L1L02R		
	8	2530M1L02R		
3		240000218R02	Adjustment band	
4		247000054R08	Friction lining	D = 140 ; d = 85 mm
5		2481L0003R02	Driving plate	
6		2481L0004R02	Inner plate	Thickness = 4 mm
7		240000746R05	Locking plate	
8		4271L0101R	Overrunning clutch housing	
9		348017000R20	Grease fitting	
10		2481L0002R02	Pressure plate	Thickness = 8 mm
11		367FT340A	Belleville spring	1200 Nm
		367FT340C		1450 Nm
		367FT340D		1800 Nm
12		339002060R20	Snap ring	
13		4211L0001R06	Pawl + spring kit	
14		5151L0351R	Hub, plug and taper pin kit	1 3/8" Z6
		5151L3751R		1 3/8" Z21
15		408000047R02	Taper pin	1 3/8" Z6 - Z21
16		310001301R04	Special socket head set screw	M 10 x 40 mm

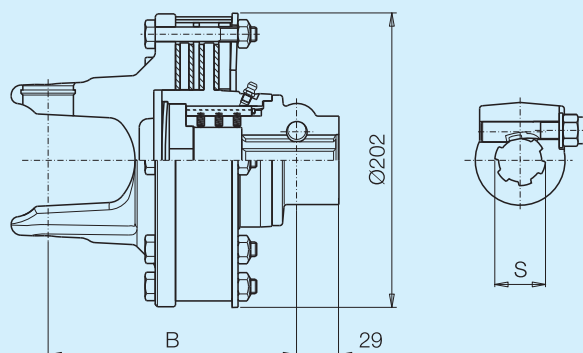


For primary drivelines, always install any torque limiter or overrunning clutch on the implement side.  
All rotating parts must be guarded.



## FNT44

Non-adjustable setting



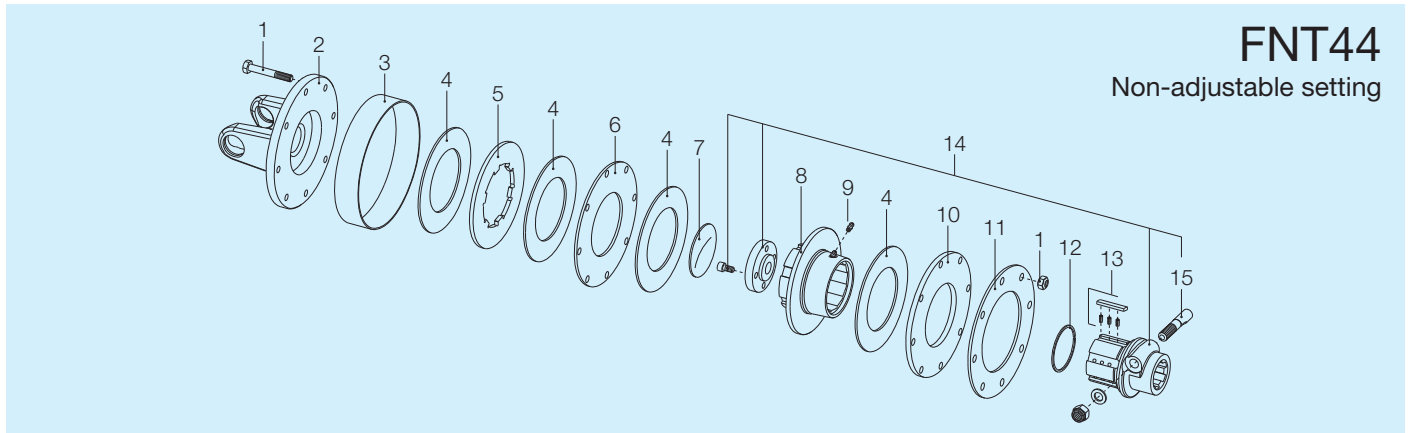
Size	Torque Nm	B (mm)				Spare parts code			
		S 1 3/8" Z6	S 1 3/8" Z21	S 1 3/4" Z6	S 1 3/4" Z20	1 3/8" Z6	1 3/8" Z21	1 3/4" Z6	1 3/4" Z20
7	1800	172	172	172	172	658L58303R	658L58337R	658L58304R	658L58338R
8	*1800	174	174	174	174	658M58303R	658M58337R	658M58304R	658M58338R
	2200					658M62303R	658M62337R	658M62304R	658M62338R

\*Maximum recommended settings for 1000 min<sup>-1</sup> velocity.



For primary drivelines, always install any torque limiter or overrunning clutch on the implement side.  
 All rotating parts must be guarded.


**SERIES OUT OF PRODUCTION - ONLY AVAILABLE AS SPARE PARTS**  
**100** Combination friction torque limiter and overrunning clutch



**FNT44**

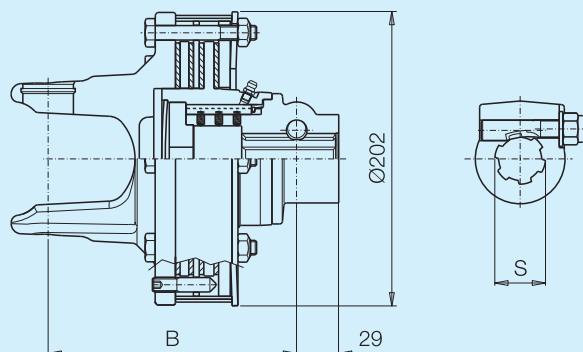
Non-adjustable setting

Ref.	Size	Spare parts code	Description	Technical data
1		432000100R08	Bolt	M 10 x 70 mm
2	7	2530L1M01R	Flange yoke	
	8	2530M1M01R		
3		240000219R02	Adjustment band	
4		247000061R08	Friction lining	D = 160 ; d = 97 mm
5		2481M0001R02	Driving plate	
6		2481M0002R02	Inner plate	Thickness = 4 mm
7		240000748R05	Locking plate	
8		4271M0101R	Overrunning clutch plug	
9		348017000R20	Grease fitting	
10		2481H0003R02	Pressure plate	Thickness = 8 mm
11		367FT440A	Belleville spring	1800 Nm
		367FT440C		2200 Nm
12		339002068R20	Snap ring	
13		4211L0001R06	Pawl + springs kit	
14		5151M0351R	Hub, plug and taper pin kit	1 3/8" Z6
		5151M3751R		1 3/8" Z21
		5151M0451R		1 3/4" Z6
		5151M3851R		1 3/4" Z20
15		408000047R02	Taper pin	1 3/8" Z6 - Z21
		408000046R02		1 3/4" Z6 - Z20

 For primary drivelines, always install any torque limiter or overrunning clutch on the implement side.  
 All rotating parts must be guarded.


# FNT44R

Non-adjustable setting



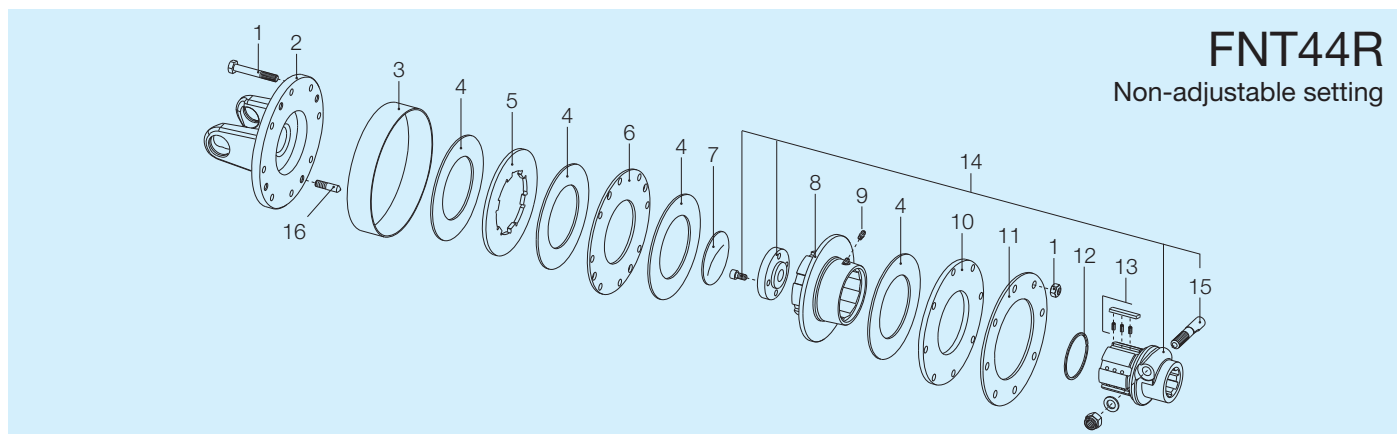
Size	Torque Nm	B (mm)				Spare parts code			
		S 1 3/8" Z6	S 1 3/8" Z21	S 1 3/4" Z6	S 1 3/4" Z20	1 3/8" Z6	1 3/8" Z21	1 3/4" Z6	1 3/4" Z20
7	1800	172	172	172	172	658L58403R	658L58437R	658L58404R	658L58438R
8	*1800	174	174	174	174	658M58403R	658M58437R	658M58404R	658M58438R
	2200					658M62403R	658M62437R	658M62404R	658M62438R

\*Maximum recommended settings for 1000 min<sup>-1</sup> velocity.

 For primary drivelines, always install any torque limiter or overrunning clutch on the implement side. All rotating parts must be guarded.

# SERIES OUT OF PRODUCTION - ONLY AVAILABLE AS SPARE PARTS

## 100 Combination friction torque limiter and overrunning clutch



### FNT44R

Non-adjustable setting

Ref.	Size	Spare parts code	Description	Technical data
1		432000100R08	Bolt	M 10 x 70 mm
2	7	2530L1M02R	Flange yoke	
	8	2530M1M02R		
3		240000219R02	Adjustment band	
4		247000061R08	Friction lining	D = 160 ; d = 97 mm
5		2481M0001R02	Driving plate	
6		2481M0003R02	Inner plate	Thickness = 4 mm
7		240000748R05	Locking plate	
8		4271M0101R	Overrunning clutch plug	
9		348017000R20	Grease fitting	
10		2481H0003R02	Pressure plate	Thickness = 8 mm
11		367FT440A	Belleville spring	1800 Nm
		367FT440C		2200 Nm
12		339002068R20	Snap ring	
13		4211L0001R06	Pawl + springs kit	
14		5151M0351R	Hub, plug and taper pin kit	1 3/8" Z6
		5151M3751R		1 3/8" Z21
		5151M0451R		1 3/4" Z6
		5151M3851R		1 3/4" Z20
15		408000047R02	Taper pin	1 3/8" Z6 - Z21
		408000046R02		1 3/4" Z6 - Z20
16		310001301R04	Special socket head set screw	M 10 x 40 mm

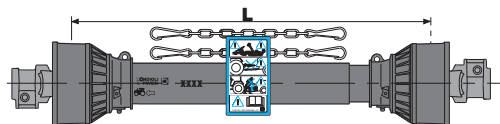


For primary drivelines, always install any torque limiter or overrunning clutch on the implement side.  
All rotating parts must be guarded.

# Shield kits

# 100

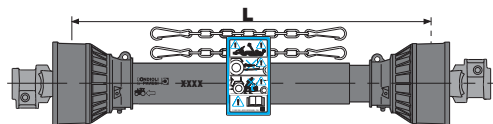
100  
400



Code	086	121
Length L (mm)	860	1210
1	5F01086FFFX	5F01121FFFX
2	5F02086FFFX	5F02121FFFX
3	---	---
43	5F43086FFFX	5F43121FFFX
4	5F04086FFFX	5F04121FFFX
5	5F05086FFFX	5F05121FFFX
6	5F06086FFFX	5F06121FFFX
7	5F07086FFFX	5F07121FFFX
8	5F08086FFFX	5F08121FFFX
9	---	---
10	---	---

For North America, replace the "FX" in the codes above with "UC".  
For Japan, replace the "FX" in the codes above with "JP".

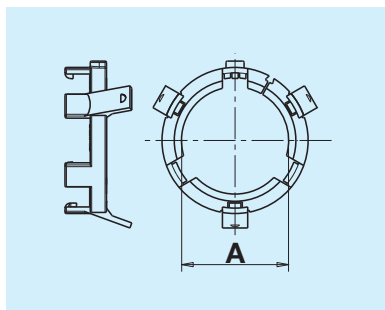
650



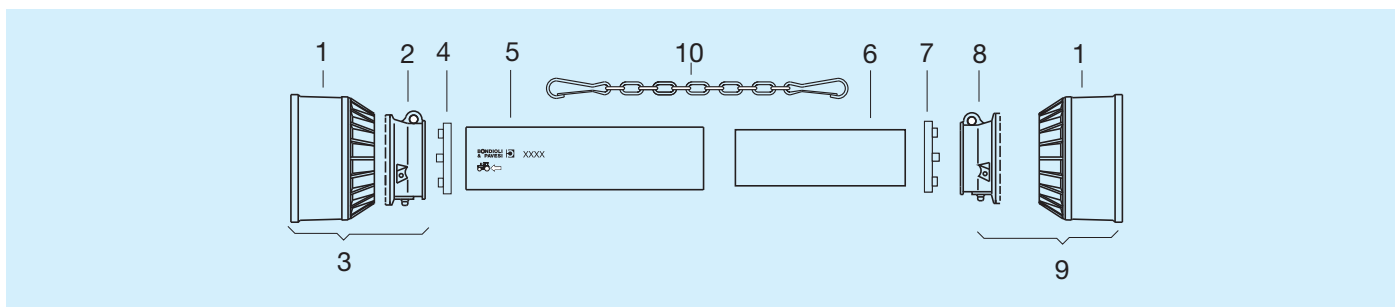
Code	086	121
Length L (mm)	860	1210
652	5F02086R1652FX	5F02121R1652FX
654	5F04086R1654FX	5F04121R1654FX
656	5F06086R1656FX	5F06121R1656FX
658	5F08086R1658FX	5F08121R1658FX

For North America, replace the "FX" in the codes above with "UC".  
For Japan, replace the "FX" in the codes above with "JP".

## Shield bearing support rings



	Inner tube		Outer tube	
	A mm		A mm	
1	30,4	255010006R02	40,4	255010005R02
2	40,4	255020006R02	47,4	255020005R02
43-4	46,4	255040006R02	53,4	255040005R02
5	53,4	255050006R02	62,4	255050005R02
6-7	59,4	255060006R02	68,4	255060005R02
8	68,4	255080006R02	80,4	255080005R02

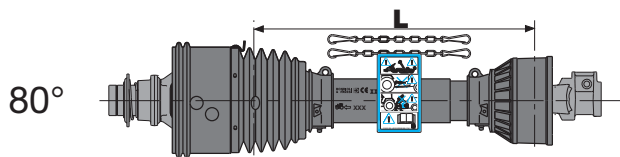


Size	1*	2	3*	4	5 L= 086	6 L= 086	7	8	9	10
1	219010001	517010011	517010030	255010005R02	236660694	236650694	255010006R02	517010012	517010020	252000001R02
2				255020005R02			255020006R02			
3 43	219040001	517040011	517040030	255040005R02	236680676	236670676	255040006R02	517040012	517040020	
4				255050005R02			255050006R02			
5	219050001	517050011	517050030	255060005R02	236830650	236820650	255060006R02	517050012	517050020	
6				255050005R02			255050006R02			
7				255060005R02			255060006R02			
8	219080005	517080111	517080130	255080005R02	236850602	236840602	255080006R02	517080112	517080120	
9				255080005R02			255080006R02			
10				219080001			517080011	517080030	255080005R02	

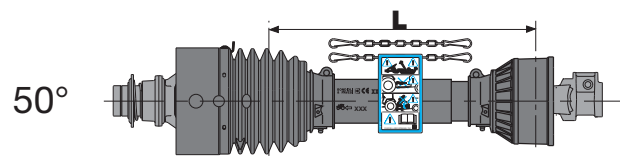
\* Standard (#1) style end cone

# Shield kits

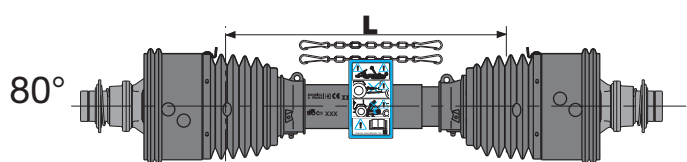
100



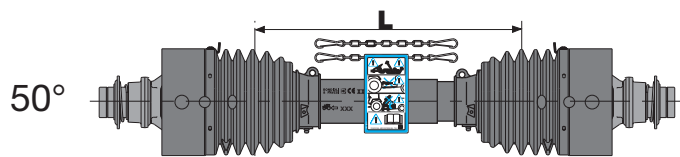
Code	086	121
Length L (mm)	860	1210
4	5F04086W1FX	5F04121W1FX
6	5F06086W1FX	5F06121W1FX
8	5F08086W1FX	5F08121W1FX



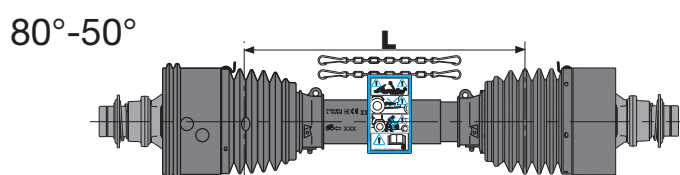
Code	086	121
Length L (mm)	860	1210
4	5F04086K1FX	5F04121K1FX
6	5F06086K1FX	5F06121K1FX
8	5F08086K1FX	5F08121K1FX



Code	086	121
Length L (mm)	860	1210
4	5F04086WWFX	5F04121WWFX
6	5F06086WWFX	5F06121WWFX
8	5F08086WWFX	5F08121WWFX



Code	086	121
Length L (mm)	860	1210
4	5F04086KKFX	5F04121KKFX
6	5F06086KKFX	5F06121KKFX
8	5F08086KKFX	5F08121KKFX



Code	086	121
Length L (mm)	860	1210
4	5F04086WKFX	5F04121WKFX
6	5F06086WKFX	5F06121WKFX
8	5F08086WKFX	5F08121WKFX

For North America, replace the "FX" in the codes above with "UC". For Japan, replace the "FX" in the codes above with "JP".

The Machinery Directive (2006/42/CE) requires that the implement be equipped with an implement input connection shield fixed to the implement.

Standard EN1553 requires the implement input connection shield completely encircle the shaft, but allow for installation and articulation of the driveline. Standards EN 12965 and ANSI/ASABE S604 requires the IIC shield provide at least 50 mm of overlap with the integral driveline guard in the straight position.

The tractor master shield, the integral driveline guard, and the implement input connection shield constitute an interactive guarding system according to ANSI/ASABE S604 standard.

Bondioli & Pavesi recommends the use of proper shields and guards for drivelines, tractors, and implements. Damaged or missing components must be replaced with original spare parts, correctly installed,

before using the driveline.

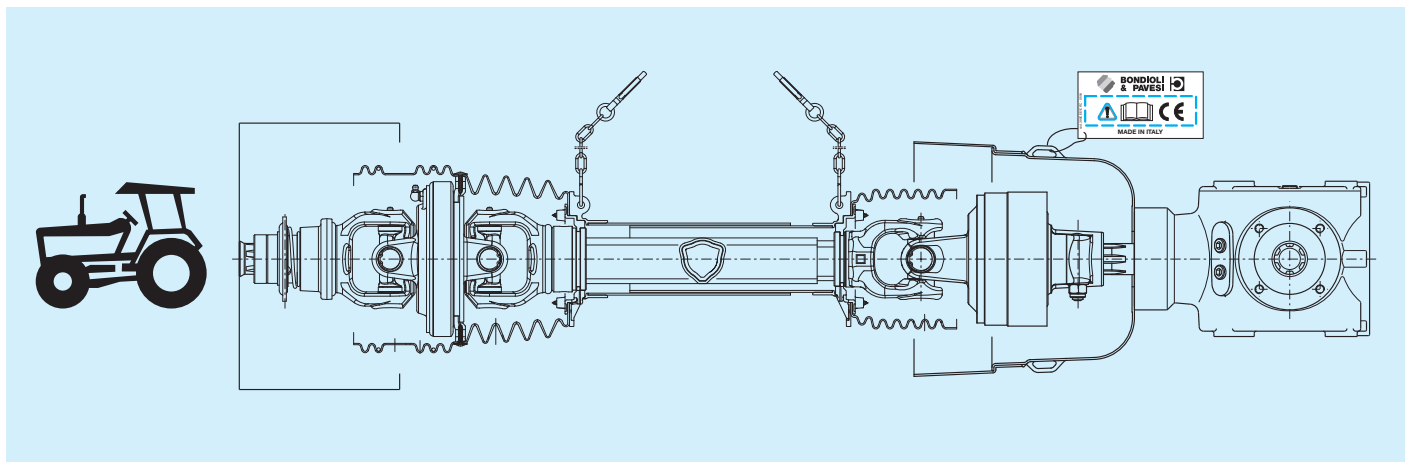
Damaged or missing components must be replaced with original spare parts, correctly installed, before using the driveline.

Bondioli & Pavesi recommends the manufacturers of implements apply labels that clearly state the need to keep safety shields in place and in proper working order.

Manufacturers are also recommended to include in their operating manuals a list of the shields and safety labels, as well as their position on the machine and their code numbers for ordering replacements.

In compliance with ASAE S493 standards, the implement manufacturer shall provide safety sign(s) and instructions stating that guards must be kept in place and the machine should not be operated with guards opened or removed.

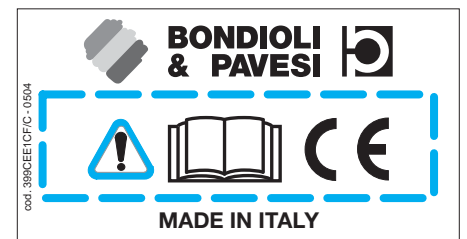
Standard EN 1553 requires a label be used to draw attention to possible risks when the guard is unlocked, opened, or removed.



The oval shape implement input connection shields can be supplied in heat-resistant plastic upon customer request. This material maintains its strength at elevated temperatures. Shields made of heat-resistant plastic can be used to guard devices operating at temperatures higher than normal, such as friction torque limiters working in heavy duty conditions. Basic information for safe and correct use of the driveline and

shielding are shown in the catalogues and on the instruction sheet included with the implement input connection shield.

Add the suffix CE to the shield code to specify the instruction sheet for CEE-EFTA countries. Add the extra charge of 0,53 Euro, for CF implement input connection shields provided with instruction sheet including the Declaration of Conformity according to the CEE standards.

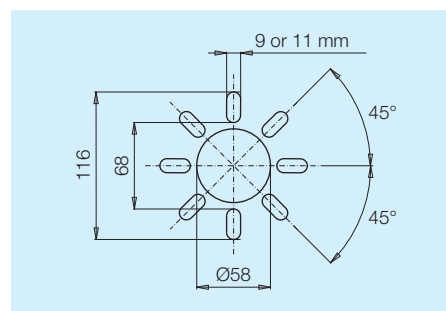




## Circular shape implement input connection shields

CF implement input connection shields with circular shape are available in three different sizes with or without fixing slots. The flat fixing surface has a diameter of 120 mm, the slots are 24 mm long and 9 or 11 mm wide. It's recommendable that the implement manufacturer provide for a solid and

sturdy mounting by screws and washers on the flat bottom surface. Flexible extensions, available in two different lengths, can be attached to the rigid body to increase the overlap with the driveline guard and allow joint articulation.



	<p>Rigid cone</p>	<p>Cone with medium band</p>	<p>Cone with long band</p>
<p>Code</p> <p>without slots</p> <p>with slots 9x24</p> <p>with slots 11x24</p>	<p>21901CE</p> <p>219000F09CE</p> <p>219000F11CE</p>	<p>41701CE</p> <p>517000F01CE</p> <p>517000F03CE</p>	<p>41711CE</p> <p>517000F02CE</p> <p>517000F04CE</p>
	<p>Rigid cone</p>	<p>Cone with medium band</p>	<p>Cone with long band</p>
<p>Code</p> <p>without slots</p> <p>with slots 9x24</p> <p>with slots 11x24</p>	<p>21902CE</p> <p>219000G09CE</p> <p>219000G11CE</p>	<p>41702CE</p> <p>517000G01CE</p> <p>517000G03CE</p>	<p>41712CE</p> <p>517000G02CE</p> <p>517000G04CE</p>
	<p>Rigid cone</p>	<p>Cone with medium band</p>	<p>Cone with long band</p>
<p>Code</p> <p>without slots</p> <p>with slots 9x24</p> <p>with slots 11x24</p>	<p>21903CE</p> <p>219000H09CE</p> <p>219000H11CE</p>	<p>41703CE</p> <p>517000H01CE</p> <p>517000H03CE</p>	<p>41713CE</p> <p>517000H02CE</p> <p>517000H04CE</p>

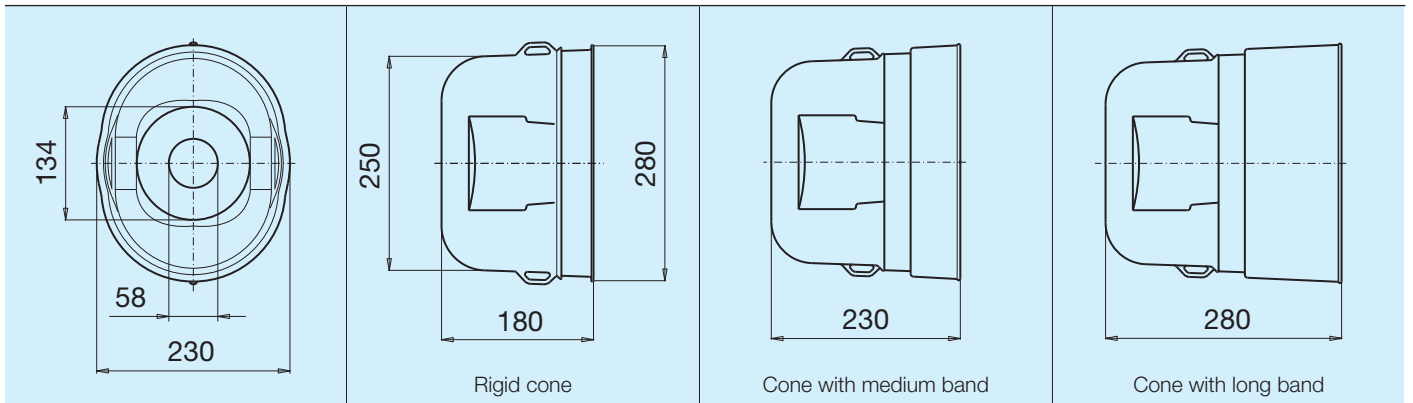
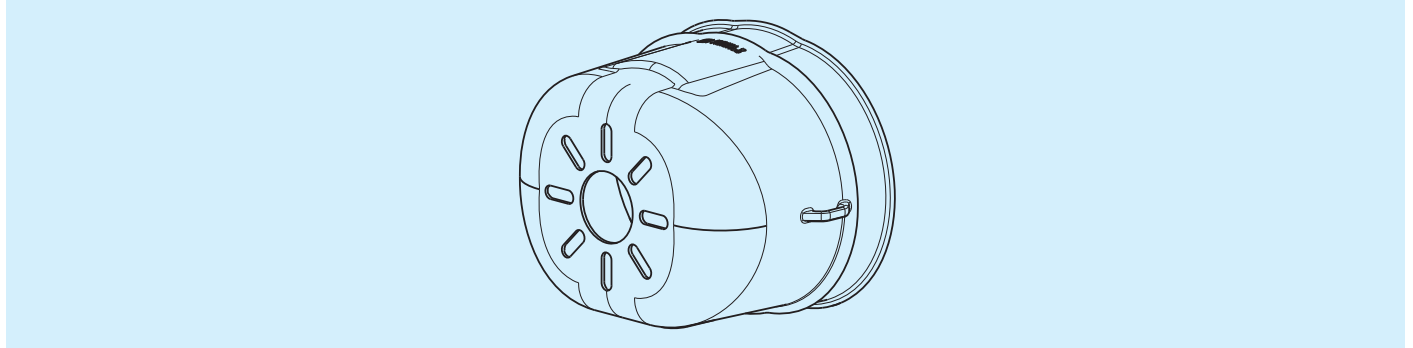
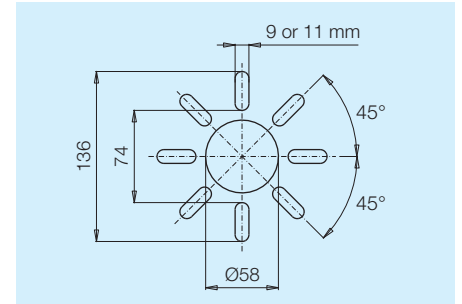
### Oval shape implement input connection shields

CF IIC shields with oval shape are available in only one size with or without fixing slots. The flat fixing surface has a diameter of 134 mm, the slots are 31 mm long and 9 or 11 mm wide.

It's recommendable that the implement manufacturer provide for a solid and sturdy mounting by screws and washers on the flat bottom surface.

Flexible extensions, available in two different lengths, can be attached to the rigid body to increase the overlap with the drive-line guard and allow joint articulation.

Oval shape IIC shields can be supplied with one or two windows that give access for the installation of the driveline or checking that is properly secured.



### Oval implement input connection shields without access windows

Code	without slots	21904CE	41704CE	41714CE
	with slots 9x31	219000A09CE	517000A01CE	517000A02CE
	with slots 11x31	219000A11CE	517000A03CE	517000A04CE

### Oval implement input connection shields with one access window

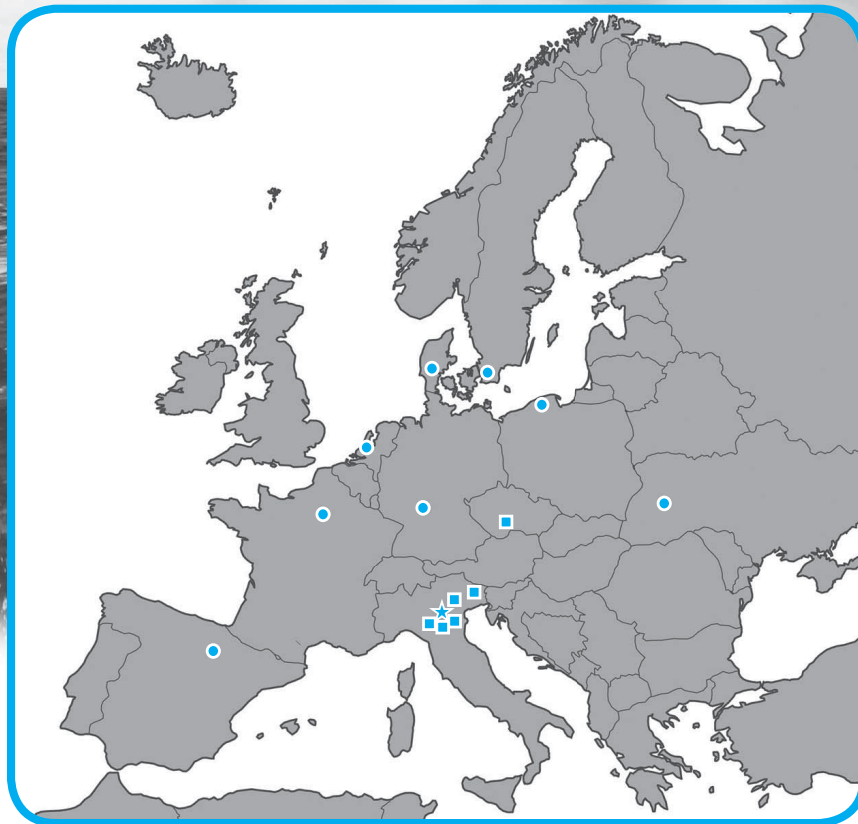
Code	without slots	2190401CE	4170401CE	4171401CE
	with slots 9x31	219000C19CE	517000C01CE	517000C02CE
	with slots 11x31	219000C21CE	517000C03CE	517000C04CE

### Oval implement input connection shields with two access windows

Code	without slots	2190402CE	4170402CE	4171402CE
	with slots 9x31	219000E19CE	517000E01CE	517000E02CE
	with slots 11x31	219000E21CE	517000E03CE	517000E04CE

*This page is intentionally blank*

# Commercial Companies



★ Headquarters

■ Production Units

● Commercial Companies

● ARGENTINA	<b>TECNO TRANSMISION INTERNACIONAL S.A.</b> Gral. José Maria Paz, 665 - 2300 RAFAELA (Santa Fe') Tel./fax 03492 424134 - E-mail <a href="mailto:tti@arnet.com.ar">tti@arnet.com.ar</a>
● AUSTRALIA	<b>BYPY TRANSMISSIONS</b> 3/16-20 Dingley Avenue - Dandenon SOUTH, Vic. 3175 Tel. (03) 9794 5889 - Telefax (03) 9794 0272 - E-mail <a href="mailto:bypy@bypy.com.au">bypy@bypy.com.au</a>
● BALGARIJA	<b>BONDIOLI &amp; PAVESI SALES &amp; LOGISTICS S.p.A. - RDM Mechanical Division</b> Via 23 Aprile, 35/a - 46029 SUZZARA (MN) - ITALY Tel. 03765141 - Telefax 0376514444 - E-mail <a href="mailto:bypy@bypy.it">bypy@bypy.it</a>
● BELARUS	<b>JSC PMI GROUP</b> 18, Pinskaya st. - 220073 MINSK Tel. 017 3369458 - Telefax 017 3369459 - E-mail <a href="mailto:uvs@pmi.by">uvs@pmi.by</a>
● BELGIQUE WALLONNE	<b>BONDIOLI &amp; PAVESI FRANCE S.A.</b> 1, rue Panhard - B.P.1 - 91830 LE COUDRAY MONTCEAUX (FRANCE) Tél. 01.64.93.84.63 - Telefax 01.64.93.94.46 - E-mail <a href="mailto:bondiolipavesi@bypy.fr">bondiolipavesi@bypy.fr</a>
FLANDRE	<b>DANI-TECH BV</b> Energieweg 39 A - 2382 NC ZOETERWOUDE (NEDERLAND) Tel. (071) 5417704 - Telefax (071) 5419106 - E-mail <a href="mailto:infonl@dani-tech.com">infonl@dani-tech.com</a>
○ BRASIL AMERICA DO SUL	<b>BPN TRANSMISSÕES Ltda.</b> Estrada dos Romeiros, 42.501, Portão B- SANTANA DE PARNAIBA / SP Cep. 06501-001 Tel. 55 11 4154 9037 - Telefax 55 11 4154 9013 - E-mail <a href="mailto:bpn@bpntransmissoes.com.br">bpn@bpntransmissoes.com.br</a>
	<b>BP COMPONENTES HIDRÁULICOS E MECÂNICOS Ltda.</b> Rua Domênico Martins Mezzomo , 184 - CEP - 95030 230 CAXIAS DO SUL-RS Tel. 55 54 3211 8900 - Telefax 55 54 3211 8907 - E-mail <a href="mailto:vendas@bypy.com.br">vendas@bypy.com.br</a>
● ČESKÁ REPUBLIKA	<b>BONDIOLI &amp; PAVESI GmbH DEUTSCHLAND</b> D-64521 GROSS-GERAU - Im Neugrund, 8 - DEUTSCHLAND - Tel (06152) 9816/0 - Telefax (06152) 9816/65 E-mail <a href="mailto:info@bypy.de">info@bypy.de</a> - Postfach 1125 D-64501 GROSS-GERAU
○ CHINA (P.R.C.)	<b>BONDIOLI &amp; PAVESI HYDRAULIC AND MECHANICAL COMPONENT (HANGZHOU) CO. LTD.</b> N°420 of Beitang East Road, Xinjie Town, Xiaoshan District, HANGZHOU CITY, 311217 Zhejiang Province - Tel. (0571) 83508180 - Telefax (0571) 83508178 - 83508177 E-mail <a href="mailto:customer_service@bypychina.com">customer_service@bypychina.com</a>
○ DANMARK	<b>DANI-TECH A/S</b> Bredholm, 4 - DK 6100 HADERSLEV Tel. 76 342300 - Telefax 76 342301 - E-mail <a href="mailto:infodk@dani-tech.com">infodk@dani-tech.com</a>
○ DEUTSCHLAND ÖSTERREICH	<b>BONDIOLI &amp; PAVESI GmbH DEUTSCHLAND</b> D-64521 GROSS-GERAU - Im Neugrund, 8 - Tel (06152) 9816/0 - Telefax (06152) 9816/65 E-mail <a href="mailto:info@bypy.de">info@bypy.de</a> - Postfach 1125 D-64501 GROSS-GERAU
● EESTI	<b>KONEKESKO EESTI AS</b> Põrguvälja Tee 3a, Pildiküla, Rae Vald - 75308 HARJUMAA Tel. (0605) 9106 - Telefax (0605) 9101 - E-mail <a href="mailto:heido.rebane@kesko.ee">heido.rebane@kesko.ee</a>
● ELLADA	<b>E.M.EX. S.p.a.</b> 2° km, Simmachikis Str. - 570 08 P.S 233 - Ionia - THESSALONIKI Tel. (2310) 784560 / 784786 - Telefax (2310) 784787 - E-mail <a href="mailto:emex@the.forthnet.gr">emex@the.forthnet.gr</a>
○ ESPAÑA PORTUGAL	<b>BONDIOLI Y PAVESI IBERICA S.A.</b> Autopista de Barcelona PG. Malpica, CL.F. n°1 - 50057 ZARAGOZA Tel. 976 588 150 - Telefax 976 574 927 - E-mail <a href="mailto:bondiolipavesi@bypy-iberica.com">bondiolipavesi@bypy-iberica.com</a>
○ FRANCE	<b>BONDIOLI &amp; PAVESI FRANCE S.A.</b> 1, rue Panhard - B.P.1 - 91830 LE COUDRAY MONTCEAUX Tél. 01.64.93.84.63 - Telefax 01.64.93.94.46 - E-mail <a href="mailto:bondiolipavesi@bypy.fr">bondiolipavesi@bypy.fr</a>
○ INDIA	<b>BONDIOLI &amp; PAVESI INDIA PVT. LTD.</b> D 510, TTC Industrial Area, MIDC - Opposite Everest Nivara Infotech Park TURBHE, NAVI MUMBAI 400703 - Maharashtra Tel. (022) 32250355 - E-mail <a href="mailto:info@bypyindia.com">info@bypyindia.com</a>
● IRAN	<b>BARCHINKAR INDUSTRIAL CO. INC</b> Flat N°6, N°3, East Baghcheh Poonak St. - Sadeqieh 2nd Square - TEHRAN Tel. 021 44431183 - 44427675 - Telefax 021 44437997 - E-mail <a href="mailto:barchinkar@barchinkarco.com">barchinkar@barchinkarco.com</a>
● EIRE	<b>CLASIT BEECHER</b> 31 A, Euro Business Park - Little Island - CO. CORK Tel. 021 4524661 - Telefax 021 4524662 - E-mail <a href="mailto:sales@a-h.ie">sales@a-h.ie</a>
○ ITALIA	<b>BONDIOLI &amp; PAVESI SALES &amp; LOGISTICS S.p.A.</b> Via 23 Aprile, 35/a - 46029 SUZZARA (MN) Tel. 03765141 - Telefax 0376514444 - E-mail <a href="mailto:bypy@bypy.it">bypy@bypy.it</a>
● NIPPON	<b>SAPPORO OVERSEAS CONSULTANT Co.Ltd.</b> Soc Bldg. Kita-4, Nishi-11, Chuo-Ku, SAPPORO 060-0004 - Mail: SAPPORO C.P.O. BOX 187. SAPPORO 060-8693 Tel. 011-231- 6547 - Telefax 011-231- 6595 - E-mail <a href="mailto:soc@pop02.odn.ne.jp">soc@pop02.odn.ne.jp</a>

● LATVIJA	<b>KONEKESKO LATVIJA SIA</b> Rubenu ceļš 46C, JELGAVA LV-3002 Tel. 063001762 - Telefax 063001702 - E-mail <a href="mailto:ivars.pupols@kesko.lv">ivars.pupols@kesko.lv</a>
● LIETUVA	<b>UAB KONEKESKO LIETUVA</b> Verslo G. 9 - LT - 54311 KUMPIU K. KAUNO R. Tel. 05 2477412 - Telefax 05 2477411 - E-mail <a href="mailto:valdas.serapinas@kesko.lt">valdas.serapinas@kesko.lt</a>
● MAGYARORSZÁG	<b>BONDIOLI &amp; PAVESI GmbH DEUTSCHLAND</b> D-64521 GROSS-GERAU - Im Neugrund, 8 - DEUTSCHLAND - Tel (06152) 9816/0 - Telefax (06152) 9816/65 E-mail <a href="mailto:info@bypy.de">info@bypy.de</a> - Postfach 1125 D-64501 GROSS-GERAU
○ NEDERLAND	<b>DANI-TECH BV</b> Energieweg 41 A - 2382 NC ZOETERWOUDE Tel. (071) 5417704 - Telefax (071) 5419106 - E-mail <a href="mailto:infol@dani-tech.com">infol@dani-tech.com</a>
● NEW ZEALAND	<b>FARMGARD</b> 21 Andrew Baxter Drive, Mangere Manukau 2022 P.O.Box 13-354 - AUCKLAND Tel. (09) 275-5555 - Telefax (09) 256-0866 - E-mail <a href="mailto:sales@farmgard.co.nz">sales@farmgard.co.nz</a>
● NORGE	<b>EGIL ENG &amp; CO. AS</b> Jernkroken 7 - 0976 OSLO Tel. (022) 90 05 60 - Telefax (022) 16 15 55 - E-mail <a href="mailto:mekanikk@egileng.no">mekanikk@egileng.no</a>
○ POLSKA	<b>BONDIOLI &amp; PAVESI Sp.zo.o.</b> PL-76 200 SLUPSK - ul. Poznanska 71 Tel. 0-59 / 8412832 - Telefax 0-59 / 8427269 - E mail <a href="mailto:biuro@bondioli-pavesi.pl">biuro@bondioli-pavesi.pl</a>
● ROMÂNIA	<b>RIMAGRA SRL</b> Str. Dumbravei, 7B - 610202 PIATRA NEAMT Tel. 0233 210583 - Telefax 0233 232375 - E mail <a href="mailto:office@sirca.com.ro">office@sirca.com.ro</a>
○ ROSSIJSKAJA FEDERACIJA	<b>BONDIOLI &amp; PAVESI LTD. RUSSIA</b> Skobeleva M.D. st.,2 - 350900 KRASNODAR Tel. 861 225 94 32 - Telefax 861 225 94 12 - E-mail <a href="mailto:info@bypy.ru">info@bypy.ru</a>
● SCHWEIZ	<b>SAHLI AG</b> Oberdorfstrasse, 17 - CH - 8934 KNONAU Tel. 044-768 54 54 - Telefax 044-768 54 88 - E-mail <a href="mailto:info@sahli-ag.ch">info@sahli-ag.ch</a>
● SLOVENIJA	<b>BONDIOLI &amp; PAVESI GmbH DEUTSCHLAND</b> D-64521 GROSS-GERAU - Im Neugrund 8 - DEUTSCHLAND - Tel. (06152) 9816/0 Telefax (06152) 9816/65 E-mail <a href="mailto:info@bypy.de">info@bypy.de</a> - Postfach 1125 D-64501 GROSS-GERAU
● SLOVENSKO	<b>BONDIOLI &amp; PAVESI GmbH DEUTSCHLAND</b> D-64521 GROSS-GERAU - Im Neugrund, 8 - DEUTSCHLAND - Tel (06152) 9816/0 - Telefax (06152) 9816/65 E-mail <a href="mailto:info@bypy.de">info@bypy.de</a> - Postfach 1125 D-64501 GROSS-GERAU
● SOUTH AFRICA	<b>SPRAY NOZZLE LTD</b> Allandale Business Park - 1685 HALFWAY HOUSE - Gauteng - P.O. BOX 2369 Tel. (011) 805 9191 - Telefax (011) 805 9366 - E-mail <a href="mailto:sales@spraynozzle.co.za">sales@spraynozzle.co.za</a>
● MAKEDONIJA ● SRBIJA ● CRNA GORA ● HRVATSKA	<b>BONDIOLI &amp; PAVESI SALES &amp; LOGISTICS S.p.A. - RDM Mechanical Division</b> Via 23 Aprile, 35/a - 46029 SUZZARA (MN) - ITALY Tel. 03765141 - Telefax 0376514444 - E-mail <a href="mailto:bypy@bypy.it">bypy@bypy.it</a>
● SUOMI	<b>AHLSSELL OY</b> Oppipojantie 8 - 60100 SEINÄJOKI - Tel. 020 747 1320 - Telefax 020 747 1321 - E-mail <a href="mailto:rejjo.paaso@ahsell.fi">rejjo.paaso@ahsell.fi</a>
	<b>RAUTAKESKO LTD</b> P.O. BOX 786 - 33101 TAMPERE - Tel. 01053 032 - E-mail <a href="mailto:kari.pyykkonen@kesko.fi">kari.pyykkonen@kesko.fi</a>
○ SVERIGE	<b>DANI-TECH A/S</b> Kantyxegatan 23 - 21376 MALMO - Tel. 046 233060 - Telefax 046 233069 - E-mail <a href="mailto:info@dani-tech.com">info@dani-tech.com</a>
● TURCHIYE	<b>TIMSAN TARIM</b> Esensehir Mahallesi Bostanciyolu Caddei - Kuru Sokak No:28/B Yukari Dudullu - Ümraniye - ISTANBUL Tel. 0216 499 71 90-91 - Telefax 0216 499 71 89 - E-mail <a href="mailto:timsan@timsantarim.com.tr">timsan@timsantarim.com.tr</a>
● PRATHET THAI	<b>K&amp;O ENGINEERING CO.LTD</b> 59/166 Soi Raminthra 103/1, Raminthra Road, Kannayao - BANGKOK 10230 Tel. 662 9179125-6 - Telefax 662 9179131 - E-mail <a href="mailto:korn_o@koe.cyfencemail.com">korn_o@koe.cyfencemail.com</a>
● UNITED KINGDOM	<b>KRAMP UK LTD</b> Pegasus Road, Stratton Business Park - London Road, BIGGLEWADE Bedfordshire SG18 8QB Tel. 0 1767 602600 - Telefax 0 1767 602620
○ UKRAJINA	<b>BONDIOLI I PAVESI UKRAINE L.L.C.</b> Grushevskogo street, 134B - 47470 smt. VELYKI BIRKY -Ternopil area -Ternopil region Tel. 0352 523414 - Telefax 0352 528214 - E-mail <a href="mailto:kucher@bypy.com.ua">kucher@bypy.com.ua</a>
○ U.S.A. ● CANADA	<b>BONDIOLI &amp; PAVESI INC.</b> 10252 Sycamore Drive - ASHLAND VA 23005 - 8137 Tel. (804) 550-2224 - Telefax (804) 550-2837 - E-mail <a href="mailto:info@bypyusa.com">info@bypyusa.com</a>















# WORK SAFELY!

## DANGER

**ANYONE WHO MANUFACTURES, SELLS, REPAIRS, OR USES DRIVESHAFTS OBEY ALL SAFETY RULES!**



## KEEP AWAY!

### SAFETY FUNDAMENTALS:

- ▶ **Avoid contact of clothing, straps, hair, jewelry, etc. with rotating driveshaft. Contact with rotating driveshaft can cause death.**
- ▶ **Do not operate without all drive shaft guards, tractor, and equipment shields in place. Damaged or missing components should be replaced with correctly installed original equipment spare parts.**
- ▶ **Do not operate without driveshaft securely attached at both ends. Do not operate without driveshaft guards that turn freely on the driveshaft. Do not use PTO adaptors.**
- ▶ **Read the use and maintenance manual provided with the driveshaft and/or implement before using the machine.**
- ▶ **Turn off engine and remove keys from tractor before approaching implement or performing maintenance.**

398L29900-0713-1000-I-C Printed in Italy



**BONDIOLI & PAVESI SpA**

Via 23 Aprile, 35/a - I - 46029 SUZZARA (MN)

Tel. +39 03765141 - Telefax +39 0376514444 - E-mail bypy@bypy.it - [www.bondioli-pavesi.com](http://www.bondioli-pavesi.com)