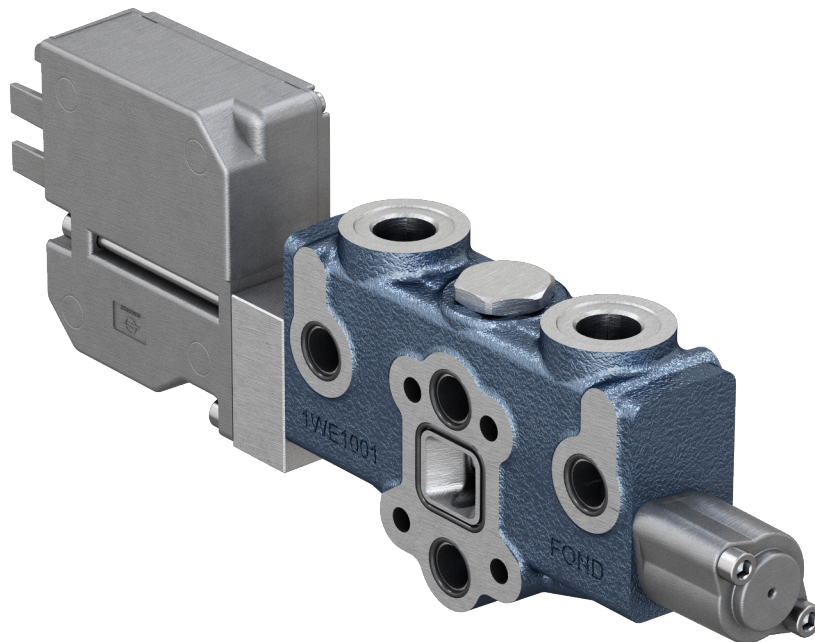
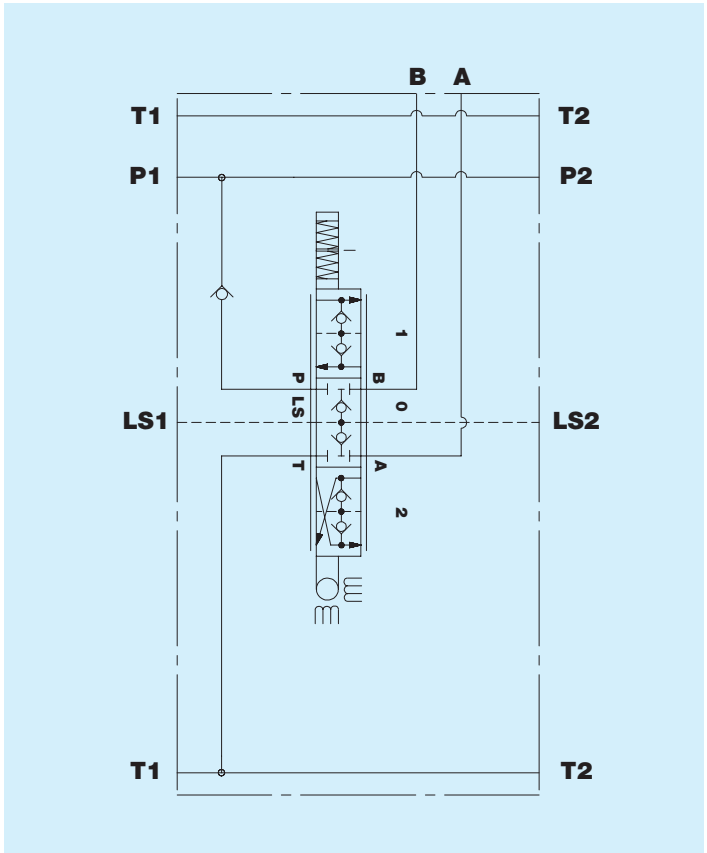


BW1455AS Element 6/3 Load sensing with CAN  
mechatronic actuator  
Interface IBW1455

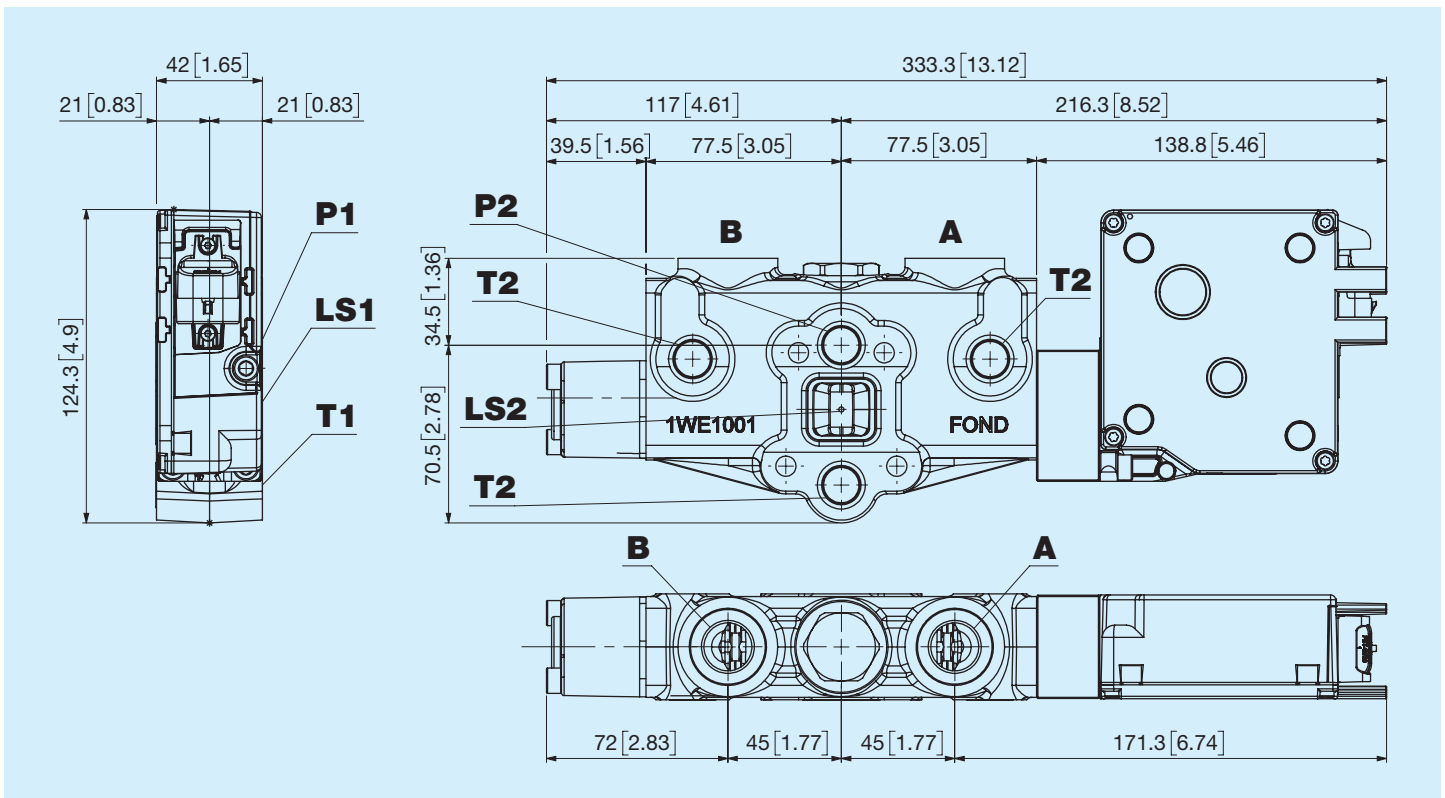


Before use, carefully read the GENERAL INSTRUCTIONS FOR USE OF DIRECTIONAL CONTROL VALVES

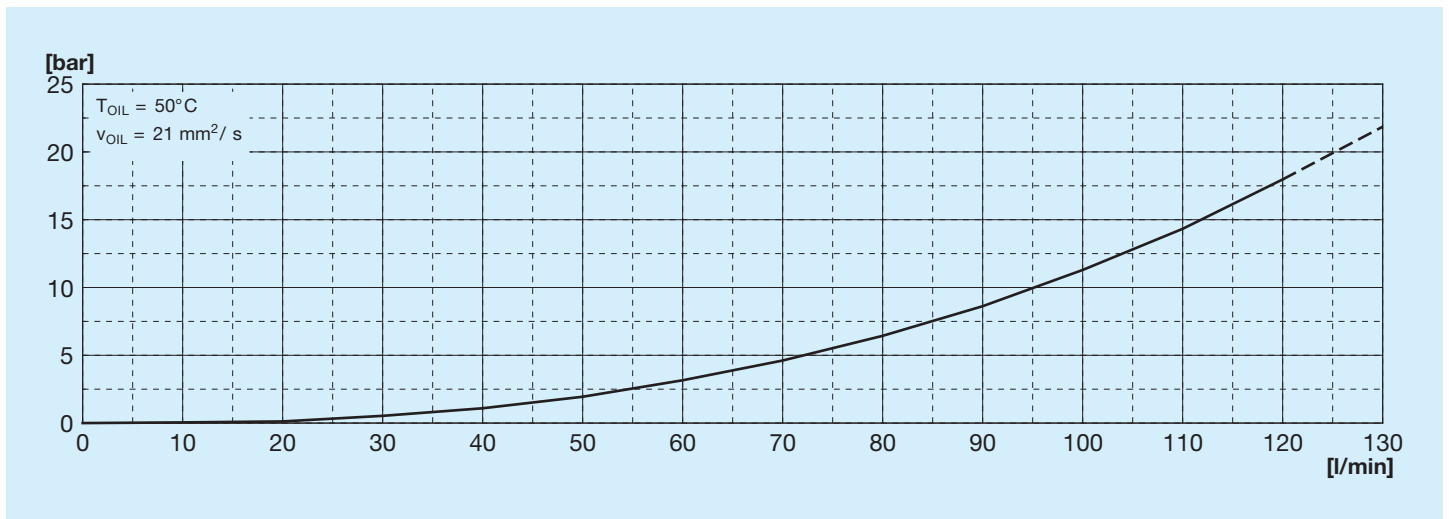
Nominal flow	<b>120 l/min - <math>\Delta P=18</math> bar</b> <b>31.7 US gpm - <math>\Delta P=261</math> psi</b>
Nominal pressure	<b>300 bar</b> <b>4351 psi</b>
Maximum tank pressure	<b>50 bar</b> <b>725 psi</b>
Internal leakage	<b>8 cc/min</b> <b>(21 cSt - 100 bar)</b>
Temperature range	<b>-20°C +85°C NBR seals</b> <b>(max peak +100°C)</b> <b>-20°C + 130°C HNBR seals</b>
Oil viscosity	<b>from 15 mm<sup>2</sup>/s to 90 mm<sup>2</sup>/s</b> <b>(15 cSt to 90 cSt)</b>
Fluid	<b>Hydraulic fluids as defined in ISO 6743-4 standard</b>
Weight	<b>4.2 kg</b> <b>9.9 lb</b>
Interface	<b>IBW1455</b>



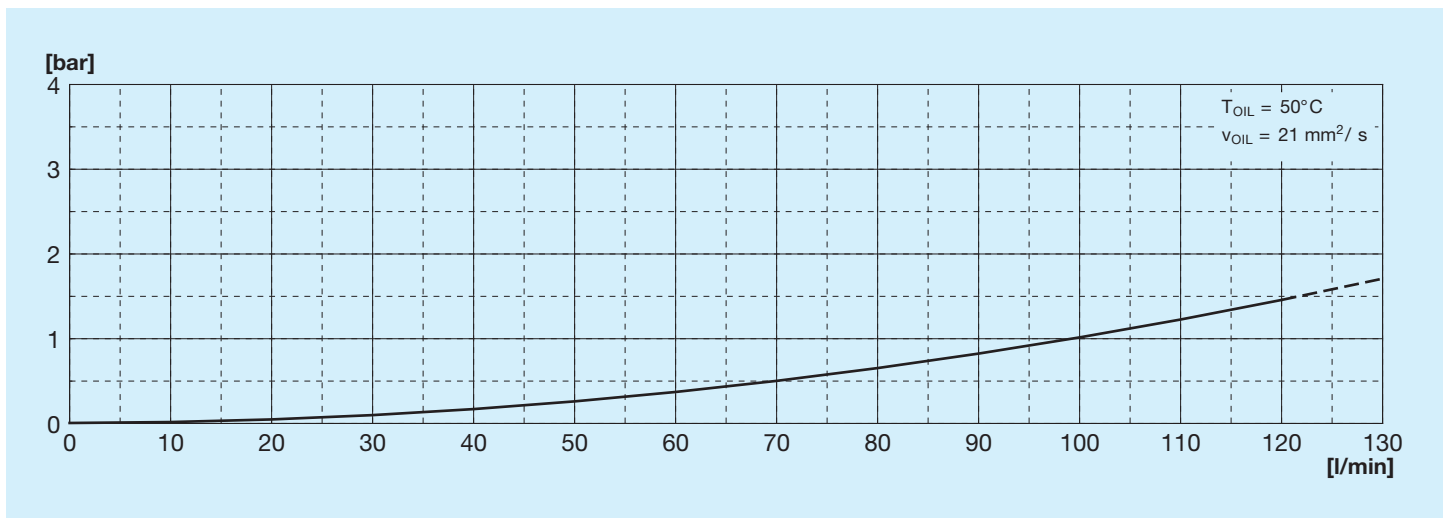
## Dimensions



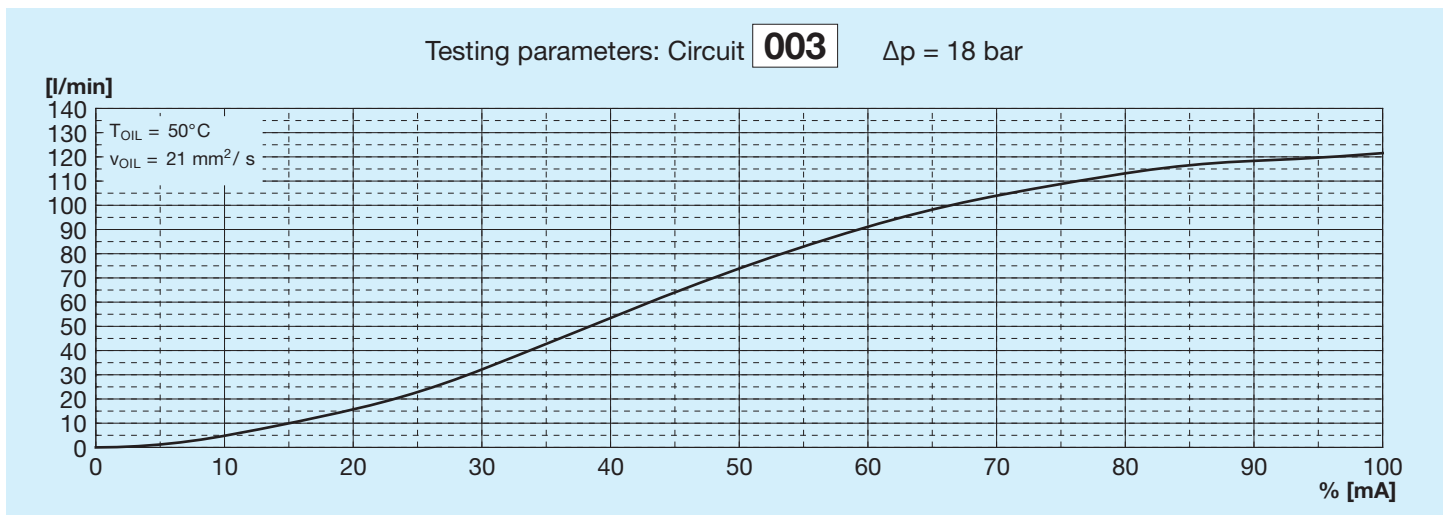
## Flow curve P-AB



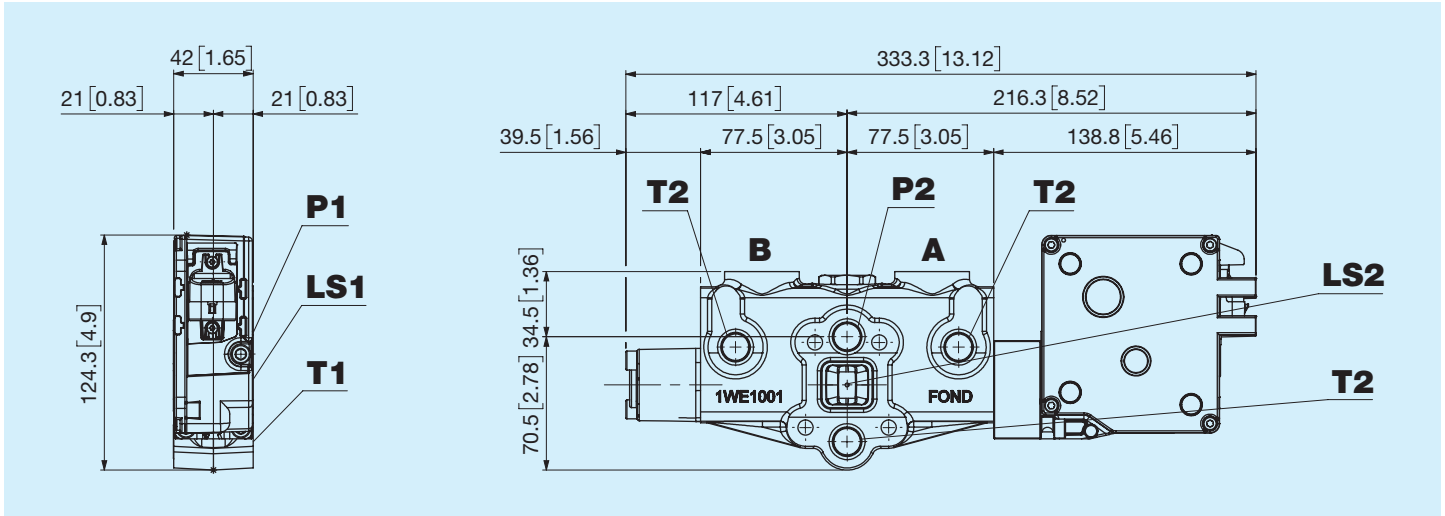
## Flow curve AB-T



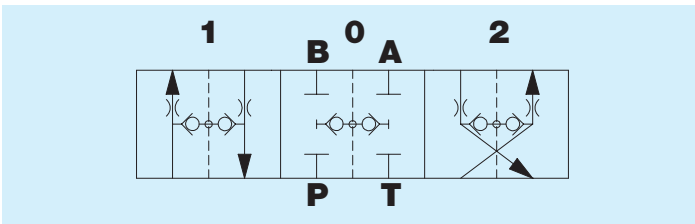
## Flow curve Metering



## E Actuator port A side



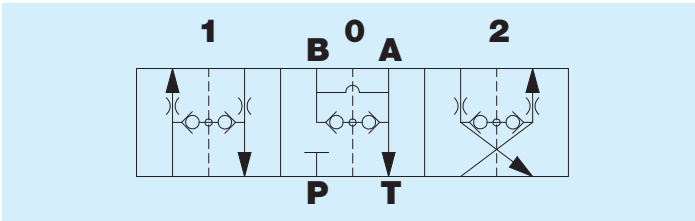
## 001 Spool type



### Positions

1	0	2
P→B A→T	A—  B—  P—  T—	P→A B→T

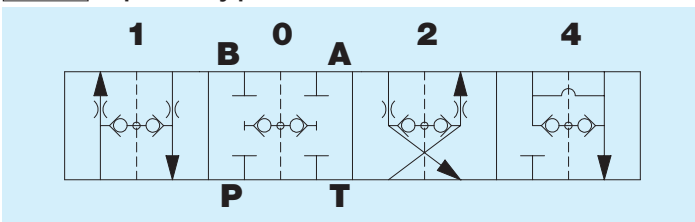
## 003 Spool type



### Positions

1	0	2
P→B A→T	B,A→T P—	P→A B→T

## 070 Spool type



### Positions

1	0	2	4
P→B A→T	A—  B—  P—  T—	P→A B→T	B,A→T P—

Flow rate  $\Delta P = 18$  bar

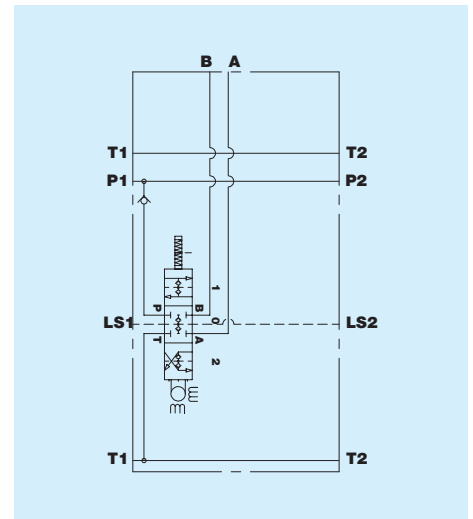
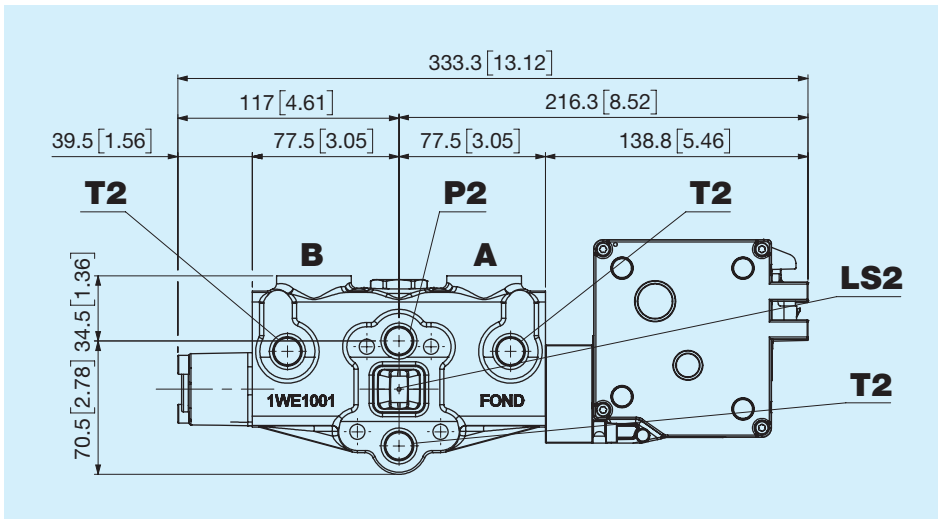
Model	l/min	US gpm
<b>0A</b>	120	31.7

Model	Type	Torque Nm
<b>B</b>	1/2" GAS ISO 1179	70
<b>F</b>	3/4" GAS ISO 1179	150
<b>N</b>	M22x1.5 ISO 9974	70
<b>J</b>	M22x1.5 ISO 6149	78
<b>5</b>	M27x2 ISO 9974	160
<b>U</b>	M27x2 ISO 6149	170
<b>R</b>	7/8" - 14 SAE ISO 11926	77
<b>V</b>	1" 1/16 - 12 SAE ISO 11926	125

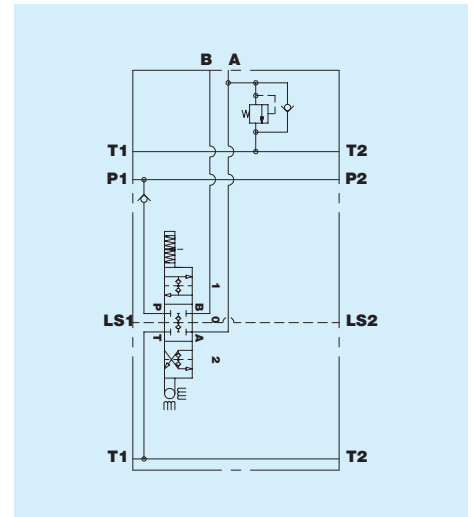
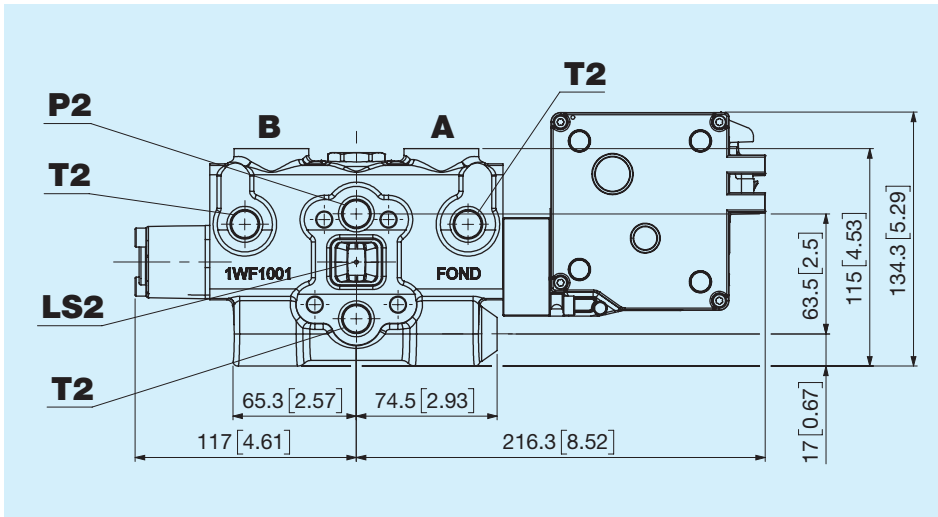
# Valve type port A B

# BW1455AS

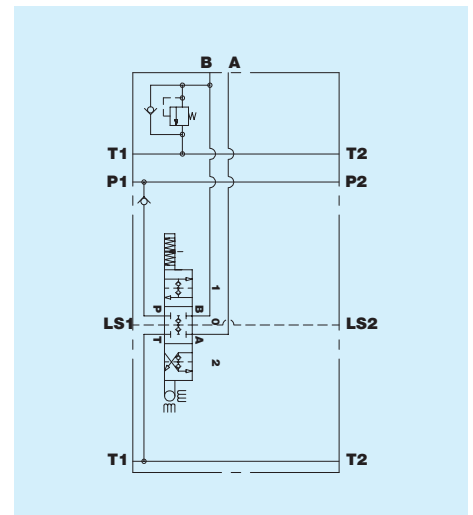
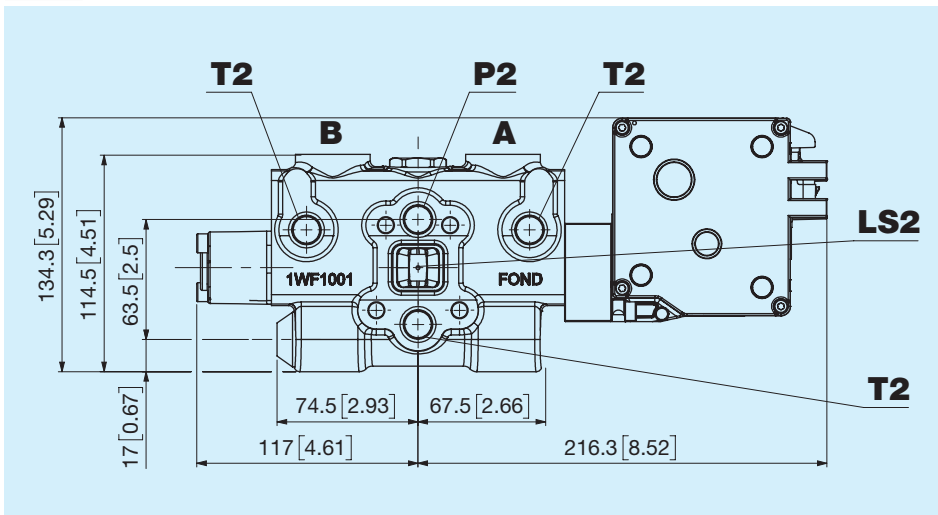
**NN** None



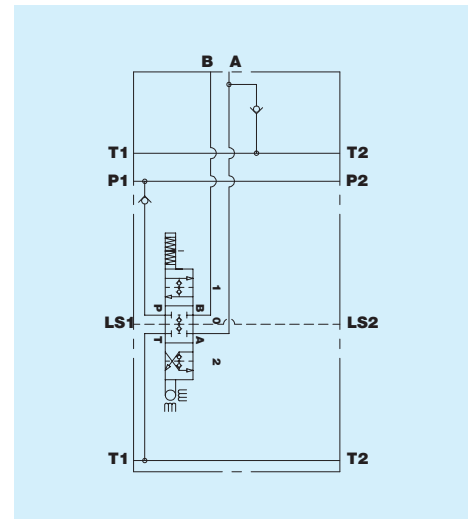
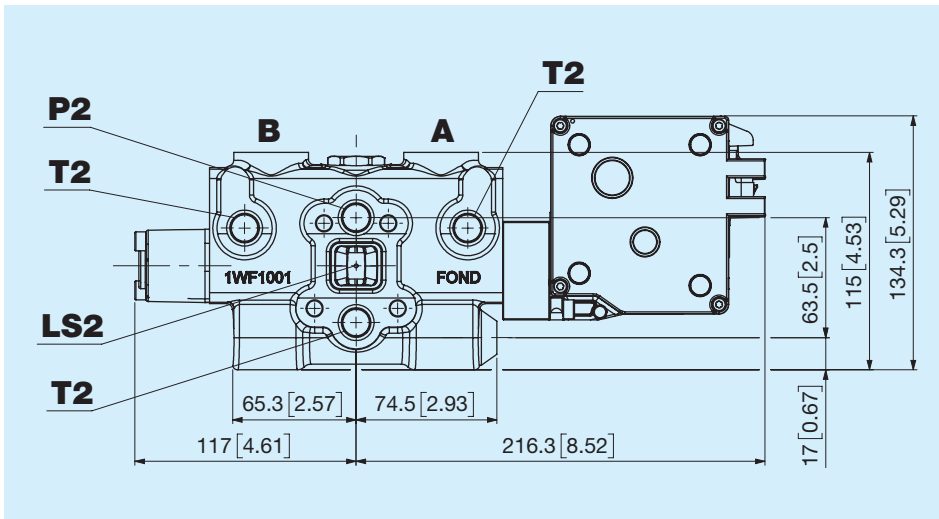
**RC** Internal pressure limiter and anticavitation cartridge port A



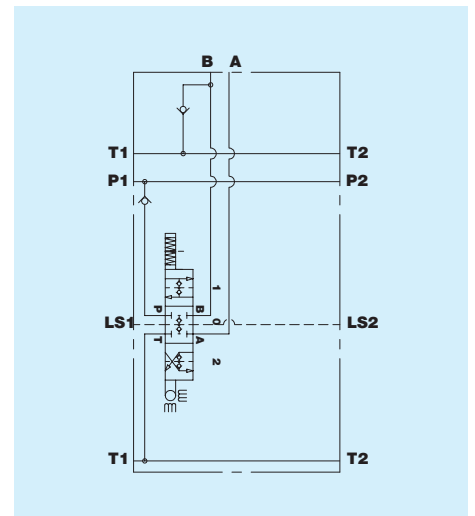
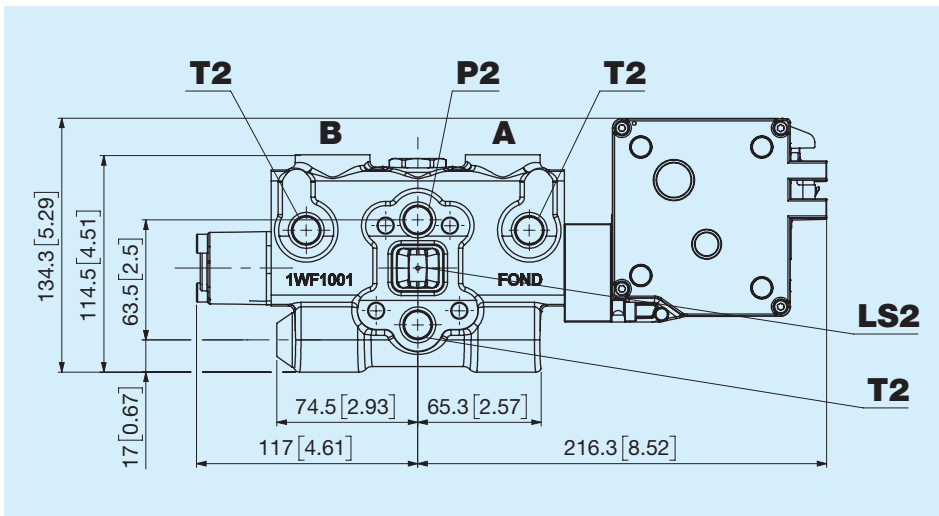
**RC** Internal pressure limiter and anticavitation cartridge port B



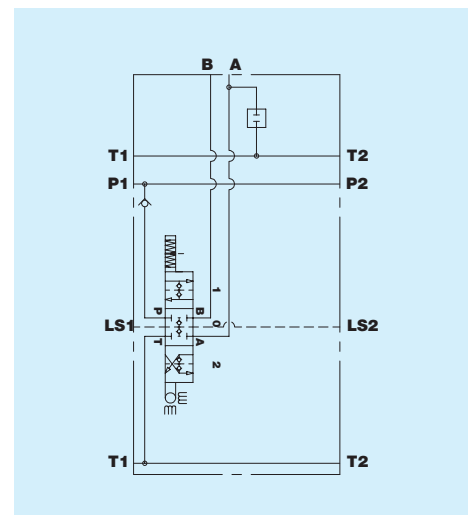
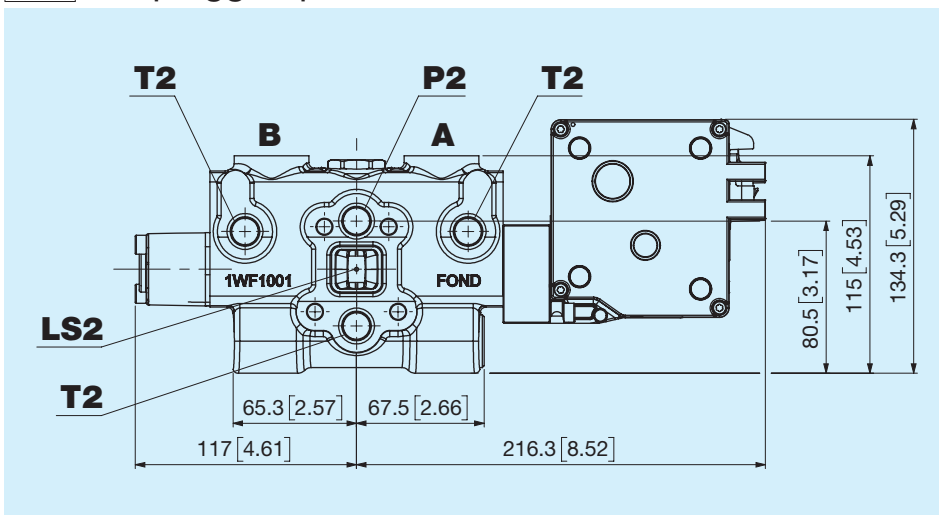
## VC Anticavitation valve port A



## VC Anticavitation valve port B

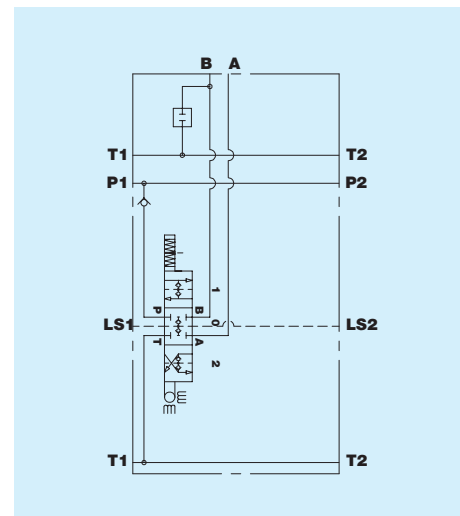
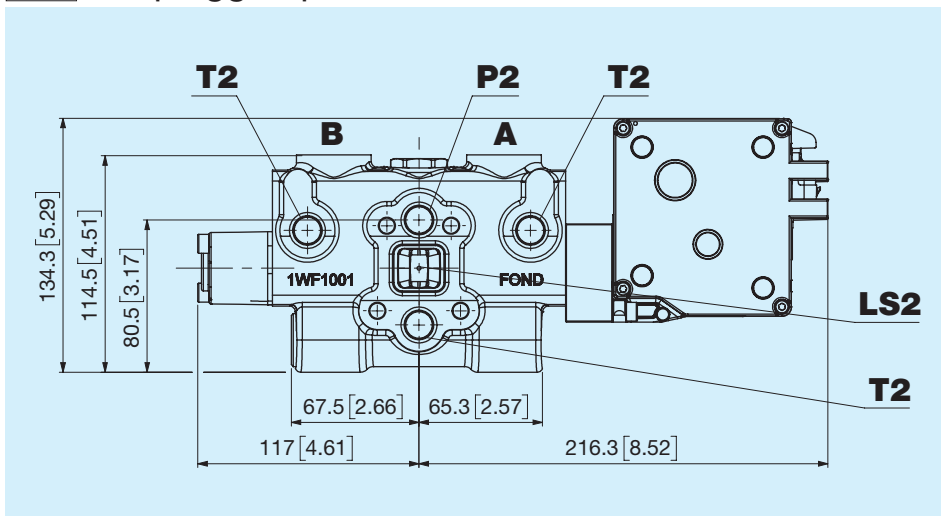


## TP Set plugged port A





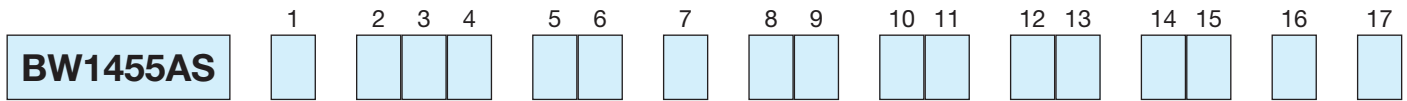
**TP** Set plugged port B



## Possible valve combinations port A and B

Port A	Port B			
	<b>NN</b>	<b>TP</b>	<b>RC</b>	<b>VC</b>
<b>NN</b>	●	●	●	●
<b>TP</b>	●	●	●	●
<b>RC</b>	●	●	●	●
<b>VC</b>	●	●	●	●

- NN** - None
- TP** - Plugged presetting
- RC** - Pressure limiter and anticavitation cartridge
- VC** - Anticavitation valve



1	<b>Configurations</b>			
	<b>E</b> Actuator port A side			
2 3 4	<b>Spool types</b>			
	<b>001</b> Spool type	<b>003</b> Spool type	<b>070</b> Spool type	
5 6	<b>Flow rate <math>\Delta P = 18</math> bar</b>			
	<b>0A</b> 120 l/min - 31.7 US gpm			
7	<b>Thread Port A and B</b>			
	<b>B</b> 1/2" GAS ISO 1179	<b>N</b> M22x1.5 ISO 9974	<b>5</b> M27x2 ISO 9974	<b>R</b> 7/8" - 14 SAE ISO 11926
	<b>F</b> 3/4" GAS ISO 1179	<b>J</b> M22x1.5 ISO 6149	<b>U</b> M27x2 ISO 6149	<b>V</b> 1" 1/16 - 12 SAE ISO 11926
8 9	<b>Port A valve type</b>			
	<b>NN</b> None	<b>RC</b> Pressure limiter and anticavitation cartridge	<b>VC</b> Anticavitation valve	<b>TP</b> Set plugged
10 11	<b>RC calibration pressure port A</b>			
	<b>NN</b> None	<b>11</b> 110 bar	<b>17</b> 170 bar	<b>23</b> 230 bar
	<b>06</b> 60 bar	<b>12</b> 120 bar	<b>18</b> 180 bar	<b>24</b> 240 bar
	<b>07</b> 70 bar	<b>13</b> 130 bar	<b>19</b> 190 bar	<b>25</b> 250 bar
	<b>08</b> 80 bar	<b>14</b> 140 bar	<b>20</b> 200 bar	<b>26</b> 260 bar
	<b>09</b> 90 bar	<b>15</b> 150 bar	<b>21</b> 210 bar	<b>27</b> 270 bar
	<b>10</b> 100 bar	<b>16</b> 160 bar	<b>22</b> 220 bar	<b>28</b> 280 bar
12 13	<b>Valve type port B</b>			
	<b>NN</b> None	<b>RC</b> Pressure limiter and anticavitation cartridge	<b>VC</b> Anticavitation valve	<b>TP</b> Set plugged
14 15	<b>RC calibration pressure port B</b>			
	<b>NN</b> None	<b>11</b> 110 bar	<b>17</b> 170 bar	<b>23</b> 230 bar
	<b>06</b> 60 bar	<b>12</b> 120 bar	<b>18</b> 180 bar	<b>24</b> 240 bar
	<b>07</b> 70 bar	<b>13</b> 130 bar	<b>19</b> 190 bar	<b>25</b> 250 bar
	<b>08</b> 80 bar	<b>14</b> 140 bar	<b>20</b> 200 bar	<b>26</b> 260 bar
	<b>09</b> 90 bar	<b>15</b> 150 bar	<b>21</b> 210 bar	<b>27</b> 270 bar
	<b>10</b> 100 bar	<b>16</b> 160 bar	<b>22</b> 220 bar	<b>28</b> 280 bar
16	<b>Voltage and connector</b>			
	<b>A</b> 12V DEPLHI METRI PACK 150.2			
17	<b>External treatment</b>			
	<b>A</b> External treatment	<b>N</b> None		