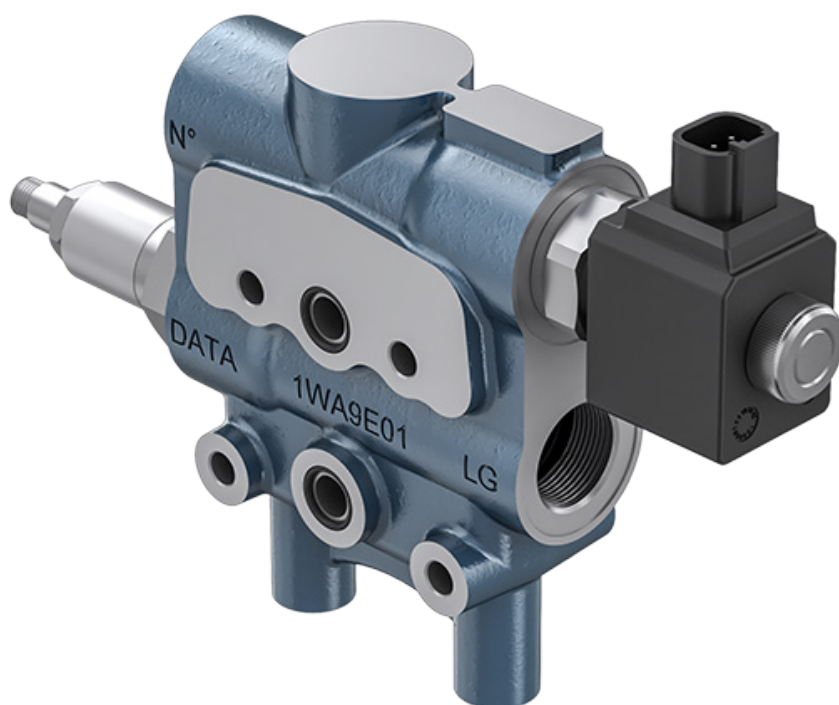


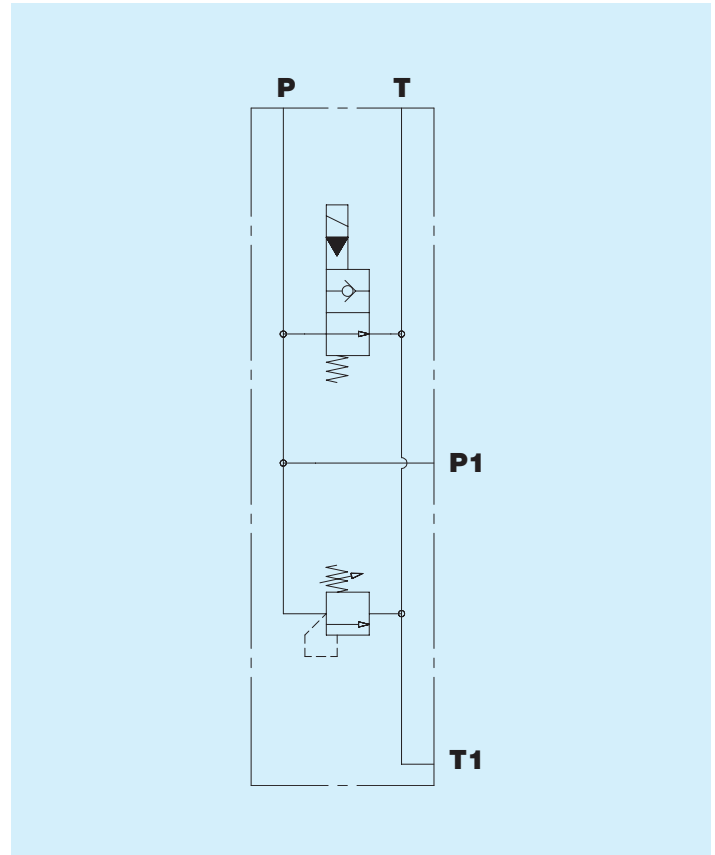
TE102D Inlet cover with unloading valve and relief valve

Interface IBW1022

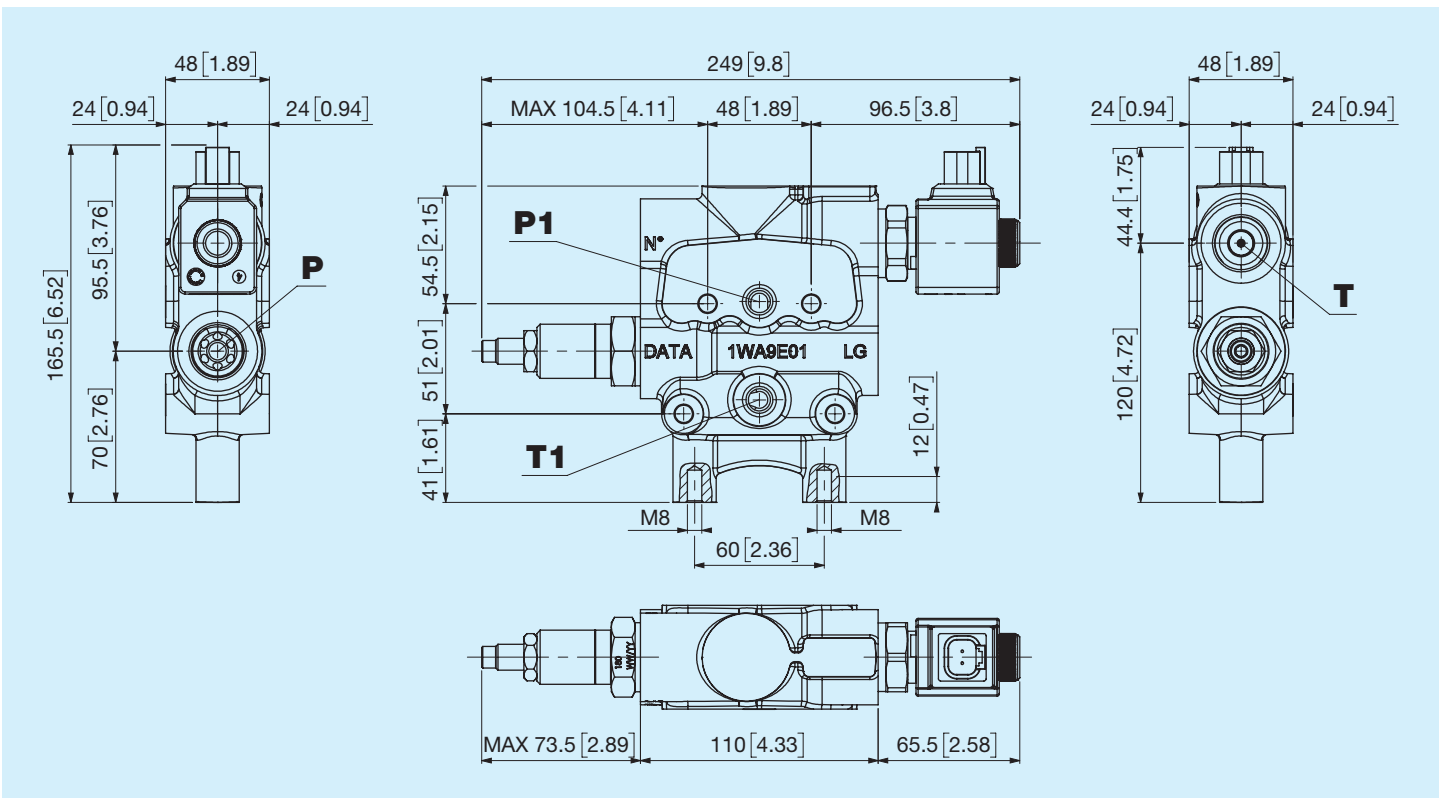


Before use, carefully read the GENERAL INSTRUCTIONS FOR USE OF DIRECTIONAL CONTROL VALVES

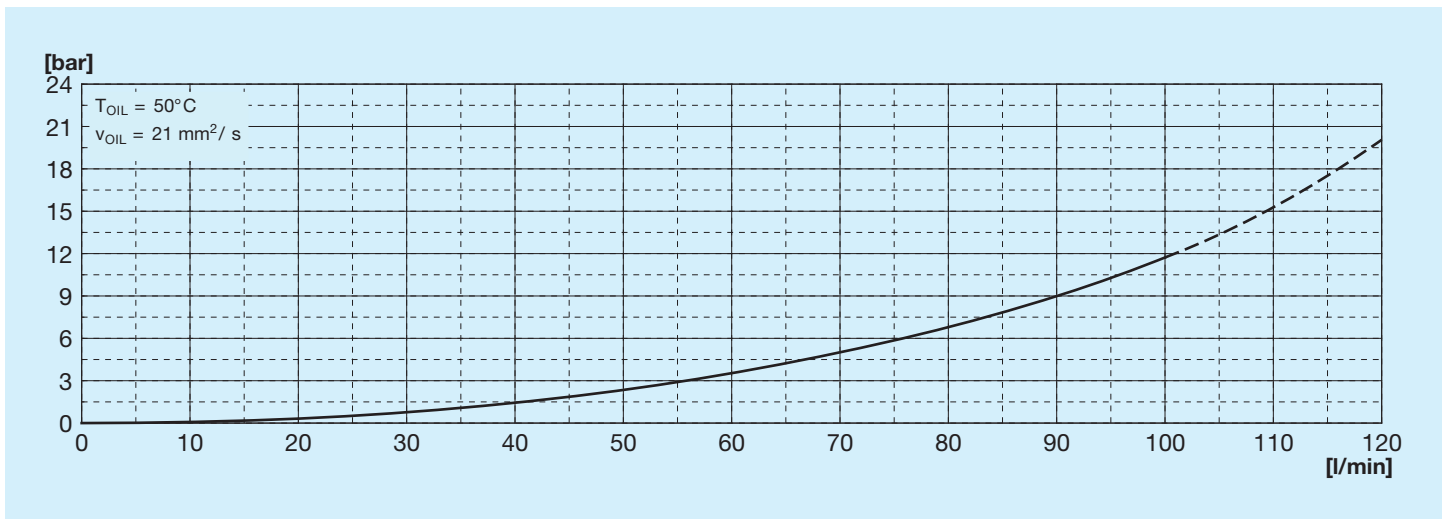
Nominal flow rate	<b>90 l/min</b> <b>23.8 US gpm</b>
Nominal pressure	<b>250 bar</b> <b>3265 psi</b>
Maximum tank pressure	<b>50 bar</b> <b>725 psi</b>
Temperature range	<b>-20°C +85°C NBR seals</b> <b>(max peak +100°C)</b> <b>-20°C + 130°C HNBR seals</b>
Oil viscosity	<b>from 15 mm<sup>2</sup>/s to 90</b> <b>mm<sup>2</sup>/s</b> <b>(15 cSt to 90 cSt)</b>
Fluid	<b>Hydraulic fluids as</b> <b>defined in ISO 6743-4</b> <b>standard</b>
Weight	<b>3.4 kg</b> <b>7.25 lb</b>
Interface	<b>IBW1022</b>



## Overall dimensions



## Pressure drops P-T



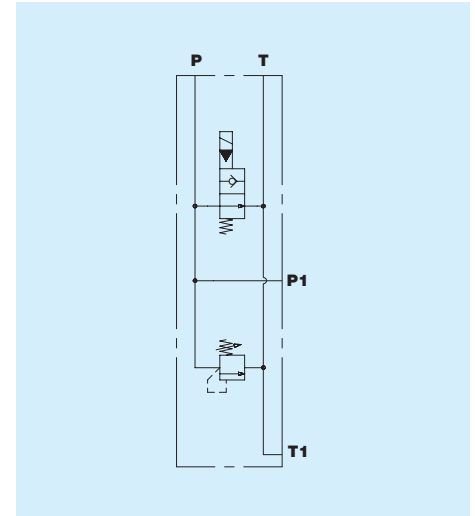
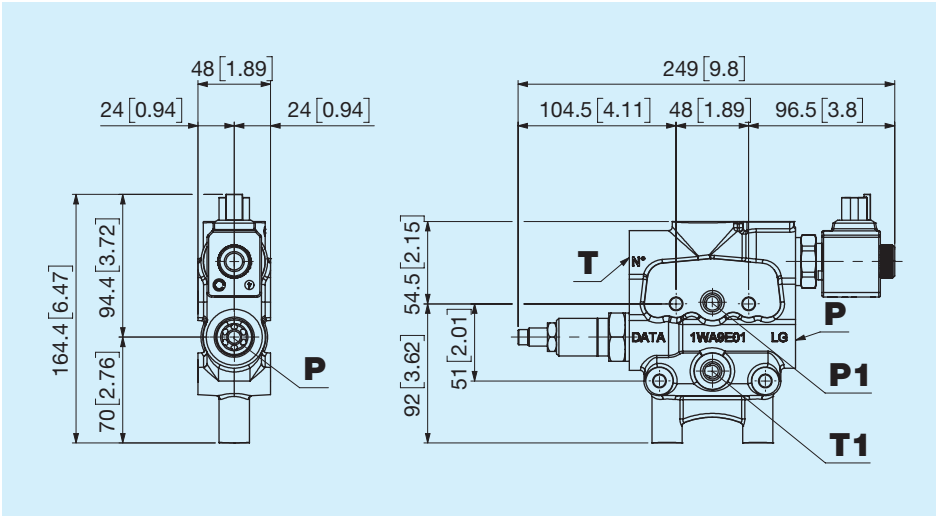
## Thread Port P

Model	Type	Torque Nm
<b>B</b>	1/2" GAS ISO 1179	70
<b>F</b>	3/4" GAS ISO 1179	150
<b>N</b>	M22x1.5 ISO 9974	70
<b>J</b>	M22x1.5 ISO 6149	78
<b>5</b>	M27x2 ISO 9974	160
<b>U</b>	M27x2 ISO 6149	170
<b>R</b>	7/8" - 14 SAE ISO 11926	77
<b>V</b>	1" 1/16 - 12 SAE ISO 11926	125

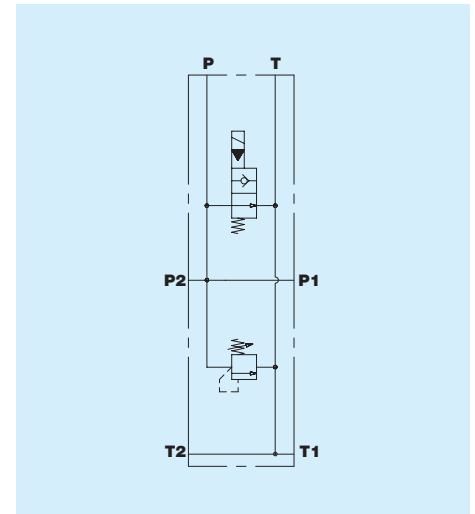
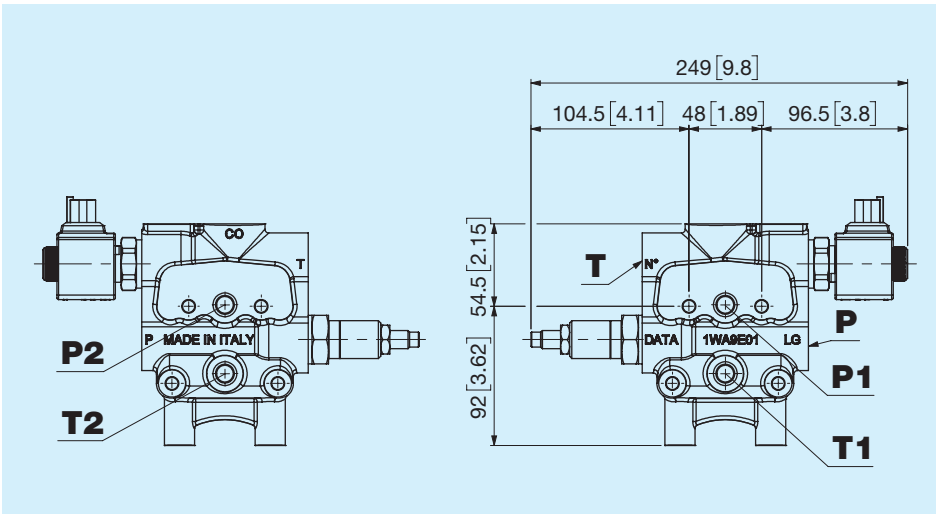
## Thread Port T

Model	Type	Torque Nm
<b>B</b>	1/2" GAS ISO 1179	70
<b>F</b>	3/4" GAS ISO 1179	150
<b>N</b>	M22x1.5 ISO 9974	70
<b>J</b>	M22x1.5 ISO 6149	78
<b>5</b>	M27x2 ISO 9974	160
<b>U</b>	M27x2 ISO 6149	170
<b>R</b>	7/8" - 14 SAE ISO 11926	77
<b>V</b>	1" 1/16 - 12 SAE ISO 11926	125

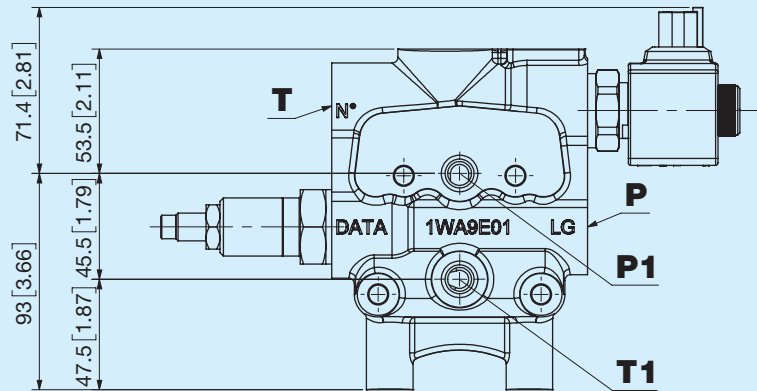
## S Standard



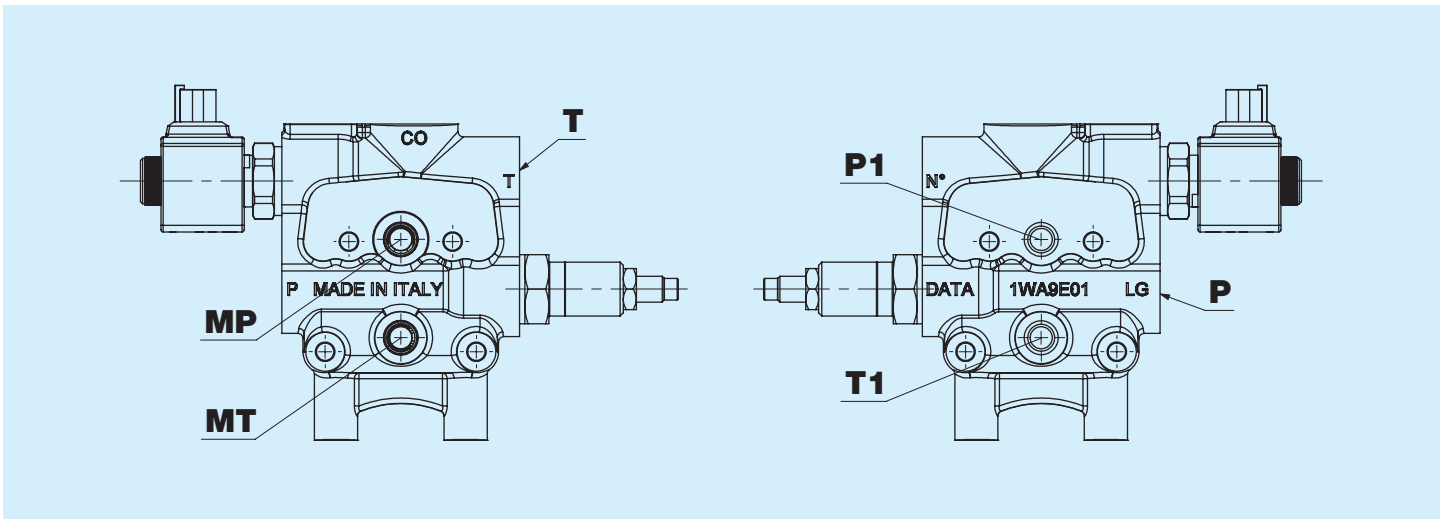
## A P-T through



**H3** High



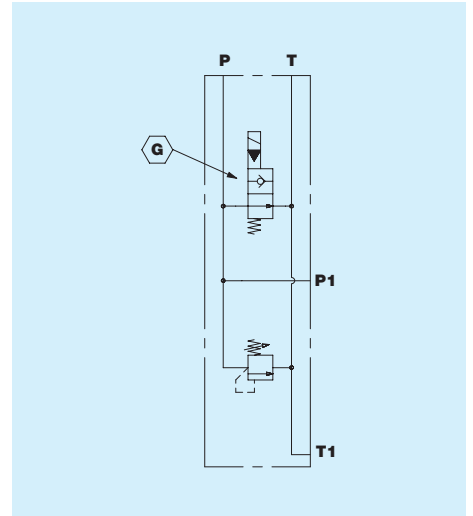
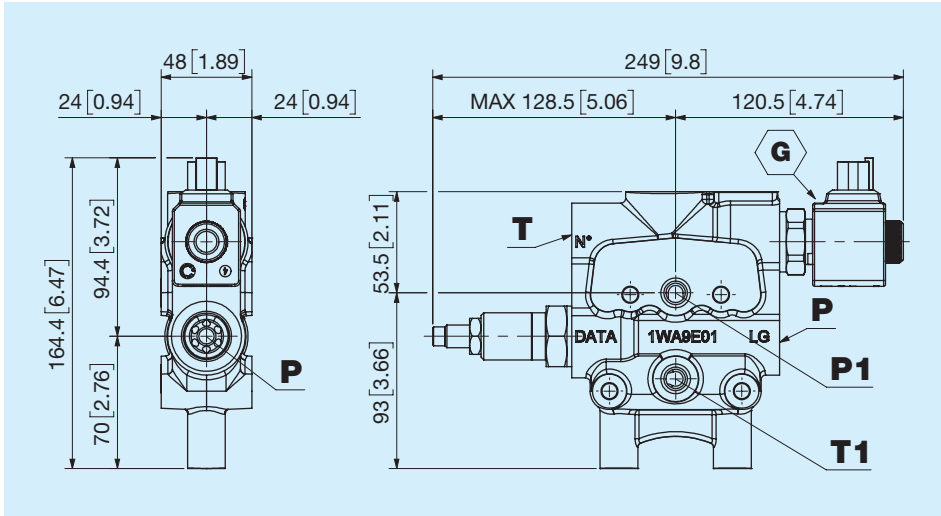
## MP and MT - Gauges ports



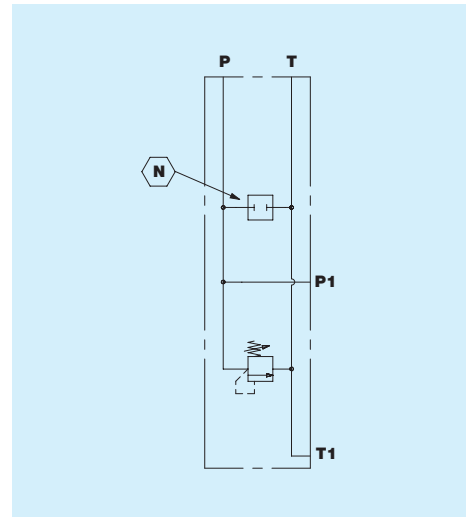
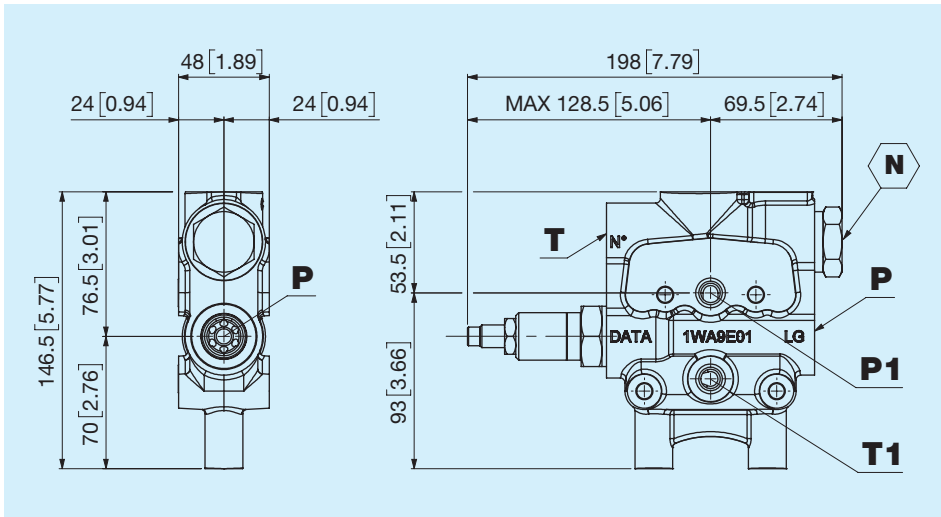
## Thread ports MP and MT

Model	Type	Torque Nm
<b>N</b>	None	
<b>L</b>	1/4" GAS ISO 1179	14
<b>3</b>	M14x1.5 ISO 9974	10
<b>K</b>	M14x1.5 ISO 6149	10
<b>P</b>	9/16" - 18 SAE ISO 11926	21

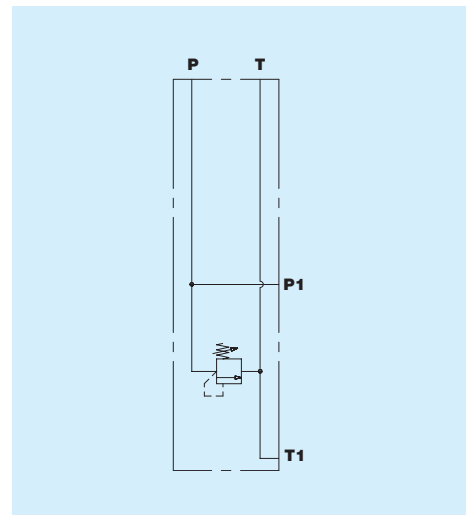
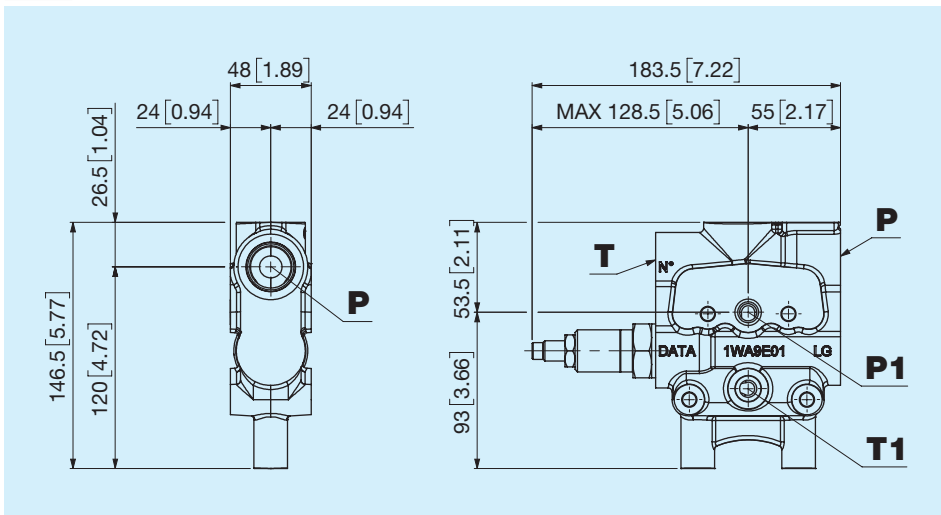
## G With unloading valve



## N Replacement plug

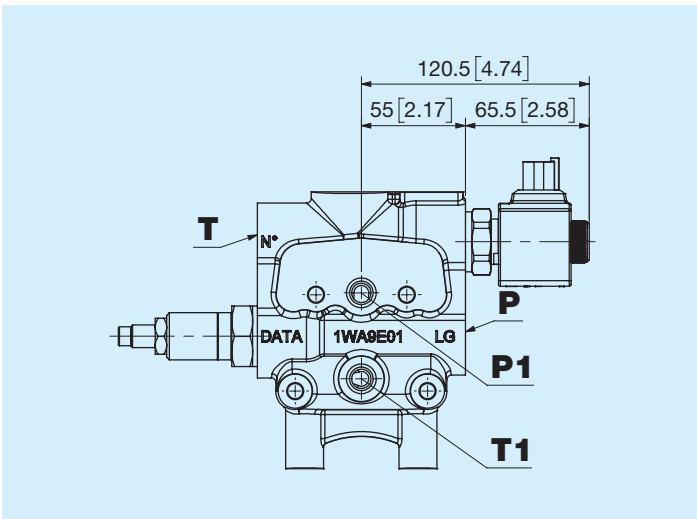


## X Not machined

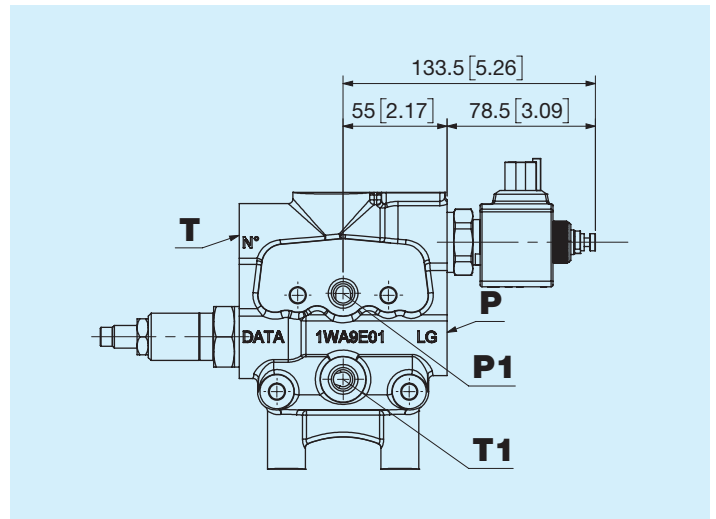




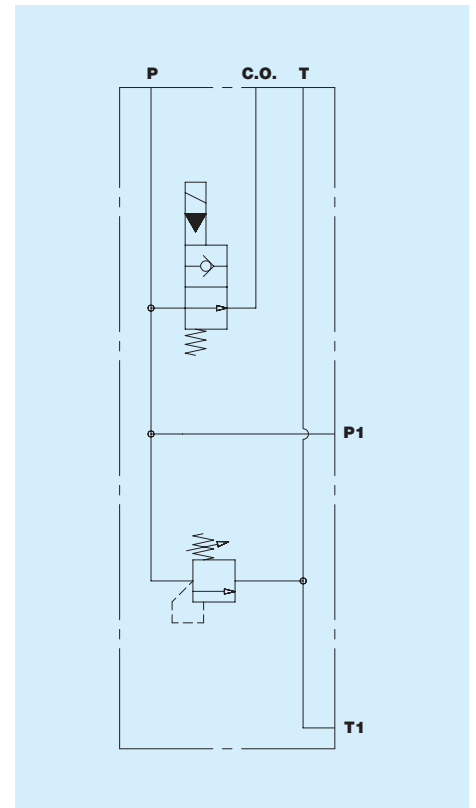
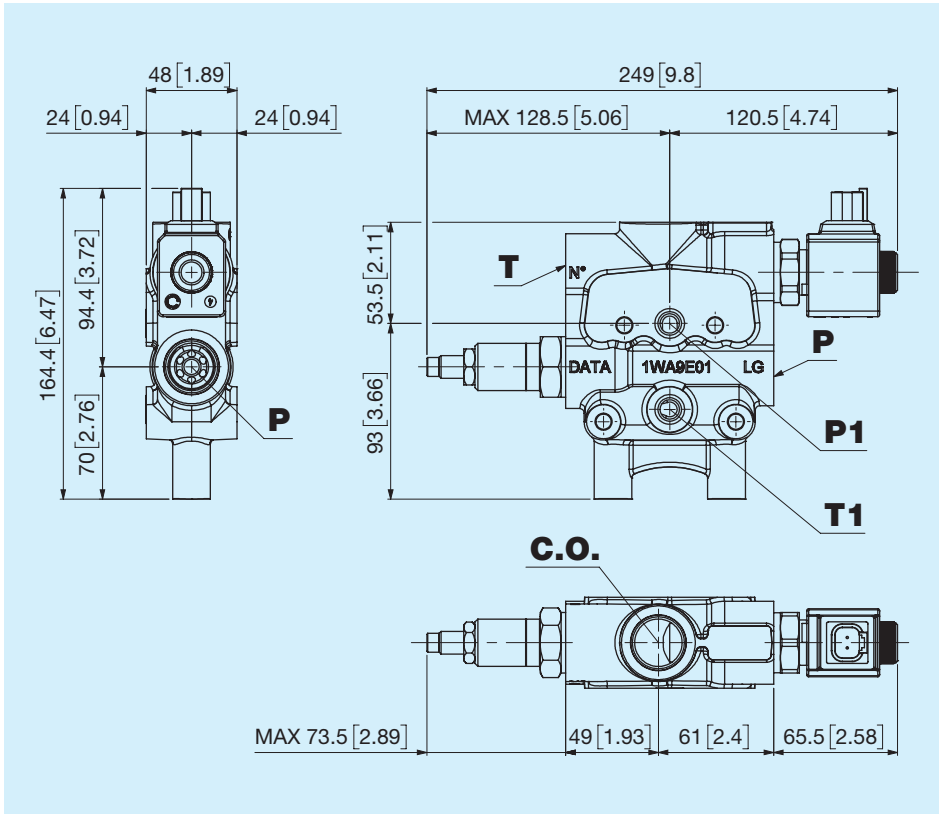
## **O** Standard terminal



## **S** Emergency screw



## C.O. - Carry Over

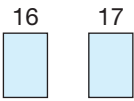


## Thread port Carry over

Model	Type	Torque Nm
<b>0</b>	None	
<b>B</b>	1/2" GAS ISO 1179	70
<b>F</b>	3/4" GAS ISO 1179	150
<b>N</b>	M22x1.5 ISO 9974	78
<b>J</b>	M22x1.5 ISO 6149	60
<b>R</b>	7/8" - 14 SAE ISO 11926	77
<b>5</b>	M27x2 ISO 9974	170
<b>U</b>	M27x2 ISO 6149	170
<b>V</b>	1" 1/6 - 12 SAE ISO 11926	125



	1	2	3	4	5	6	7	8	9	10	11	12	13	14	15
<b>TE102D</b>															
1	<b>Thread type</b>														
	<b>F</b> Female														
2	<b>Thread Port P</b>														
	<b>B</b> 1/2" GAS ISO 1179		<b>N</b> M22x1.5 ISO 9974		<b>5</b> M27x2 ISO 9974		<b>R</b> 7/8" - 14 SAE ISO 11926								
	<b>F</b> 3/4" GAS ISO 1179		<b>J</b> M22x1.5 ISO 6149		<b>U</b> M27x2 ISO 6149		<b>V</b> 1" 1/16 - 12 SAE ISO 11926								
3	<b>Thread Port T</b>														
	<b>B</b> 1/2" GAS ISO 1179		<b>N</b> M22x1.5 ISO 9974		<b>5</b> M27x2 ISO 9974		<b>R</b> 7/8" - 14 SAE ISO 11926								
	<b>F</b> 3/4" GAS ISO 1179		<b>J</b> M22x1.5 ISO 6149		<b>U</b> M27x2 ISO 6149		<b>V</b> 1" 1/16 - 12 SAE ISO 11926								
4	<b>Options on ports P-T</b>														
	<b>N</b> None														
5	<b>Options on P-T lines</b>														
	<b>S</b> Standard				<b>A</b> P-T through										
6 7	<b>Cover height</b>														
	<b>H3</b> High														
8	<b>Thread Port MP</b>														
	<b>N</b> None		<b>3</b> M14x1.5 ISO 9974		<b>P</b> 9/16" - 18 SAE ISO 11926										
	<b>L</b> 1/4" GAS ISO 1179		<b>K</b> M14x1.5 ISO 6149												
9	<b>Thread Port MT</b>														
	<b>N</b> None		<b>3</b> tM14x1.5 ISO 9974		<b>P</b> 9/16" - 18 SAE ISO 11926										
	<b>L</b> 1/4" GAS ISO 1179		<b>K</b> tM14x1.5 ISO 6149												
10	<b>Options on Ports MP - MT</b>														
	<b>N</b> None		<b>B</b> MP plugged, MT not processed		<b>F</b> MP and MT plugged										
	<b>A</b> MP open, MT not processed		<b>E</b> MP and MT open												
11	<b>Type of unloading valve</b>														
	<b>N</b> Replacement plug		<b>A</b> 12V DIN 43650		<b>G</b> 12V Deutsch										
	<b>X</b> Not machined		<b>B</b> 24V DIN 43650		<b>H</b> 24V Deutsch										
12	<b>Type of emergency unloading valve</b>														
	<b>N</b> None		<b>O</b> Standard terminal		<b>S</b> Emergency screw										



## Type of pressure relief valve

<b>00</b> VMP replacement plug	<b>08</b> 80 bar	<b>14</b> 140 bar	<b>20</b> 200 bar
<b>30</b> 30 bar	<b>09</b> 90 bar	<b>15</b> 150 bar	<b>21</b> 210 bar
<b>40</b> 40 bar	<b>10</b> 100 bar	<b>16</b> 160 bar	<b>22</b> 220 bar
<b>05</b> 50 bar	<b>11</b> 110 bar	<b>17</b> 170 bar	<b>23</b> 230 bar
<b>06</b> 60 bar	<b>12</b> 120 bar	<b>18</b> 180 bar	<b>24</b> 240 bar
<b>07</b> 70 bar	<b>13</b> 130 bar	<b>19</b> 190 bar	<b>25</b> 250 bar



## Sealing type pressure relief valve

<b>R</b> Grub screw	<b>P</b> Lead	<b>N</b> None
---------------------	---------------	---------------



## Thread port Carry over

<b>0</b> None	<b>N</b> M22x1.5 ISO 9974	<b>U</b> M27x2 ISO 6149
<b>B</b> 1/2" GAS ISO 1179	<b>J</b> M22x1.5 ISO 6149	<b>R</b> 7/8" - 14 SAE ISO 11926
<b>F</b> 3/4" GAS ISO 1179	<b>5</b> M27x2 ISO 9974	<b>V</b> 1" 1/16 - 12 SAE ISO 11926



## External treatment

<b>N</b> None	<b>A</b> Zinc plating
---------------	-----------------------