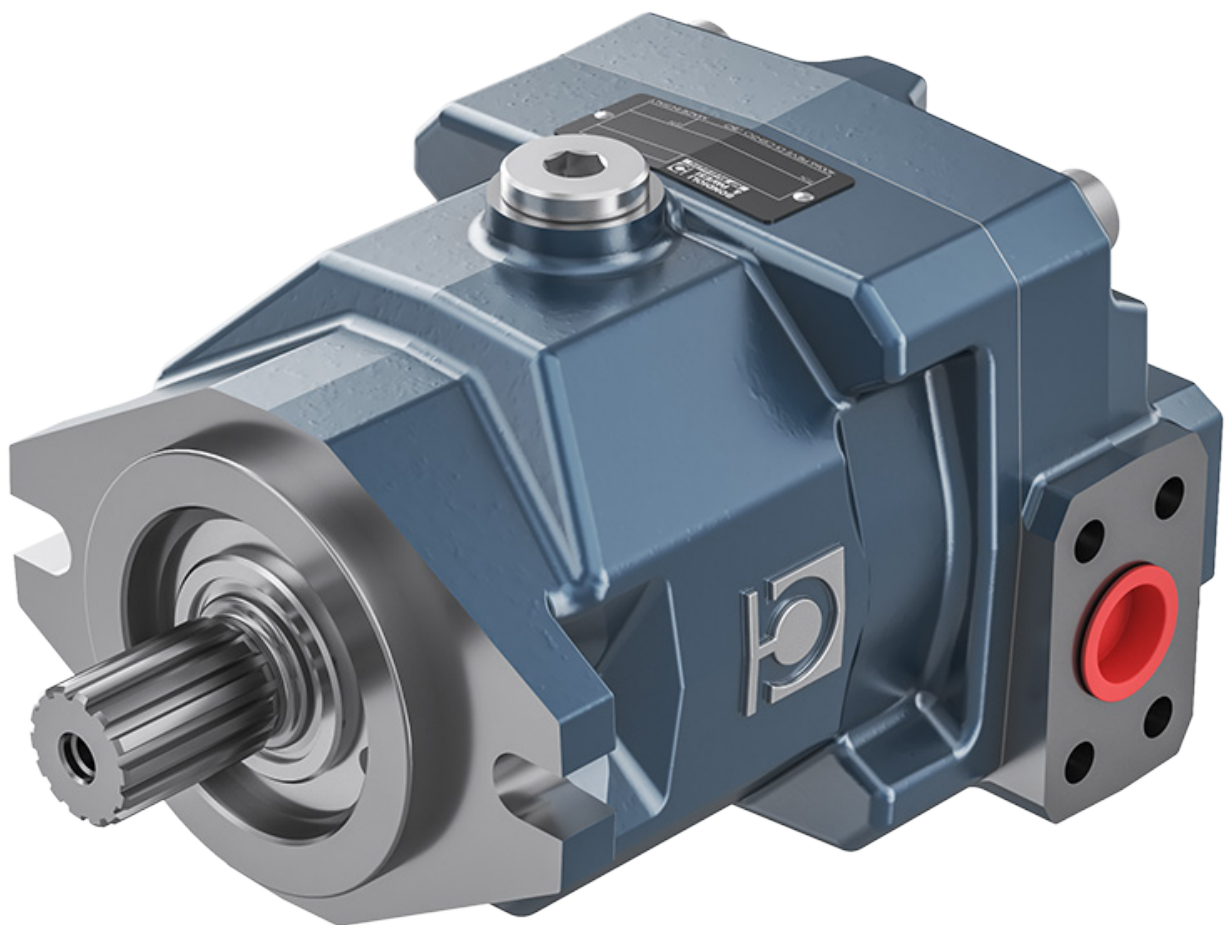
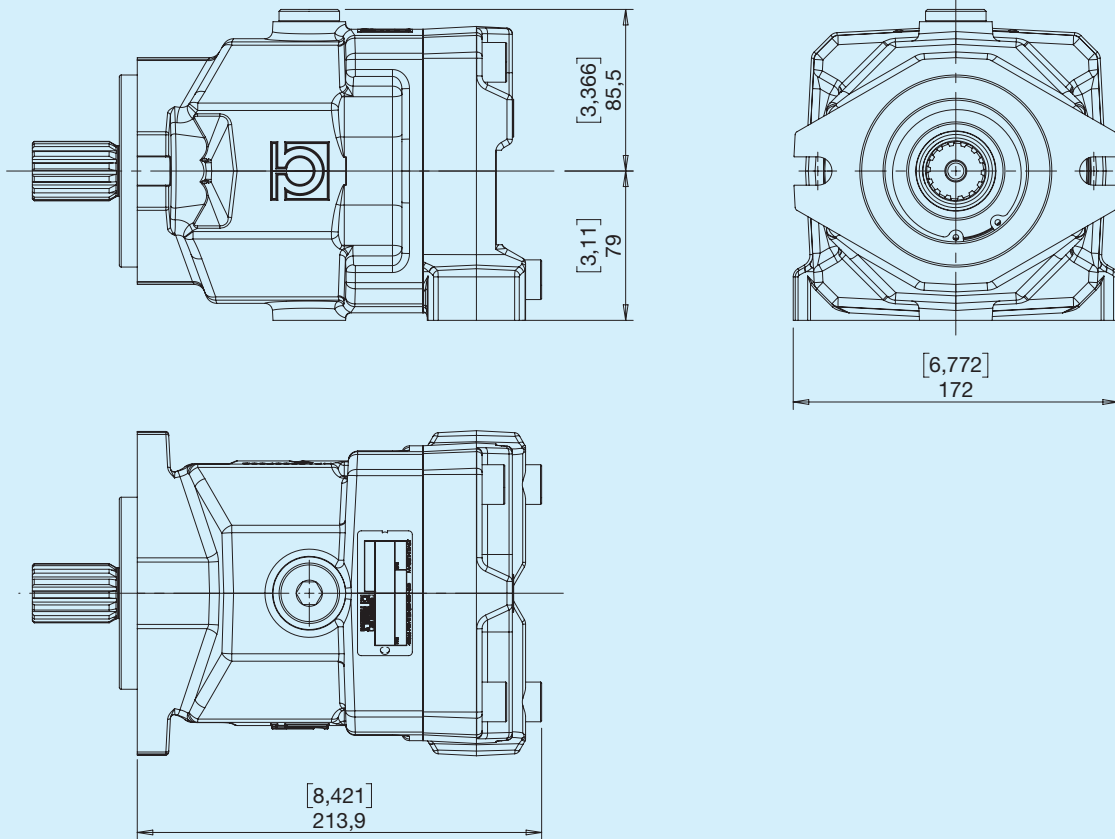


Fixed-displacement motors

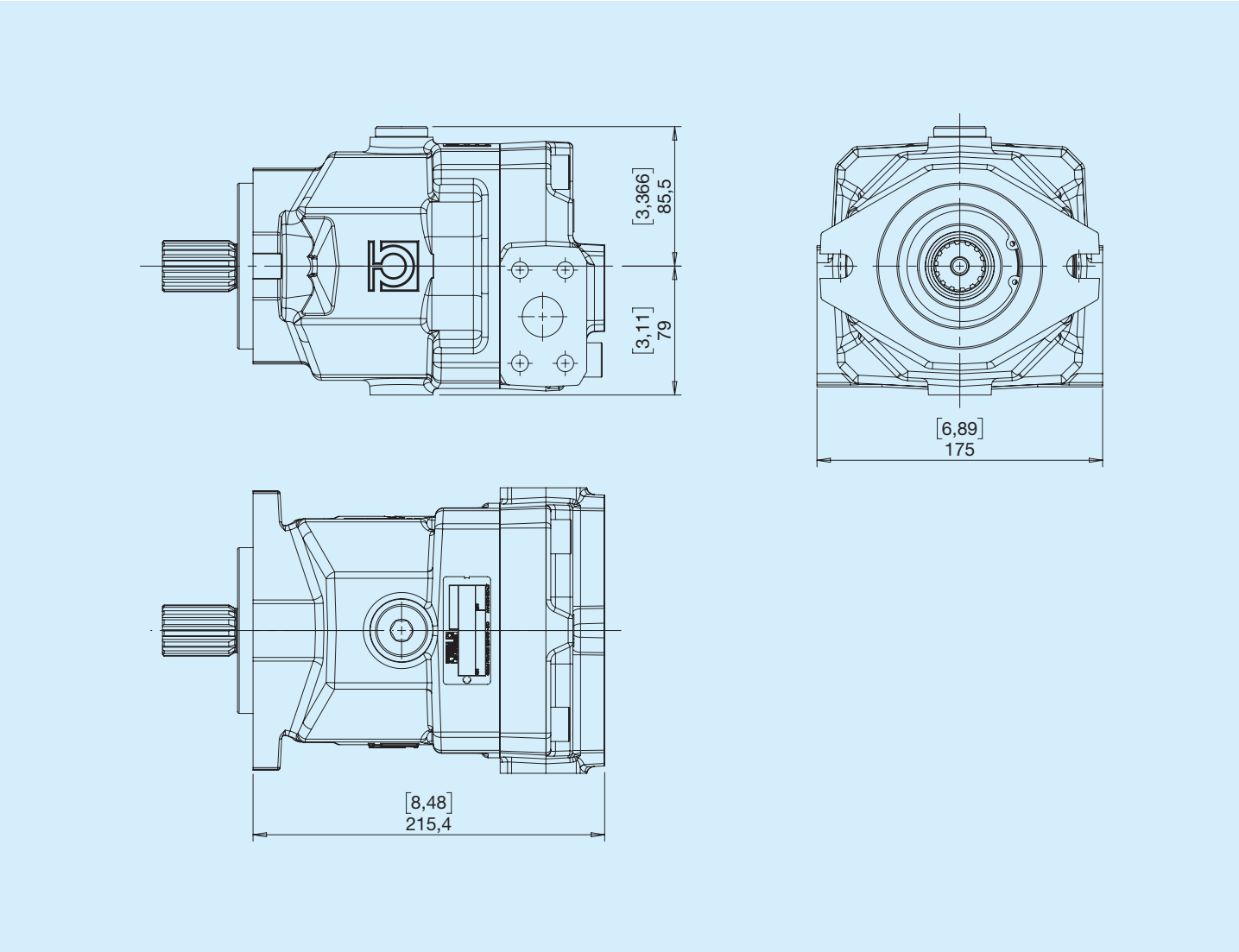


Before using the axial piston pumps and motors, carefully read the GENERAL INSTRUCTIONS FOR USE OF CLOSED CIRCUIT AXIAL PISTON PUMPS AND MOTORS.

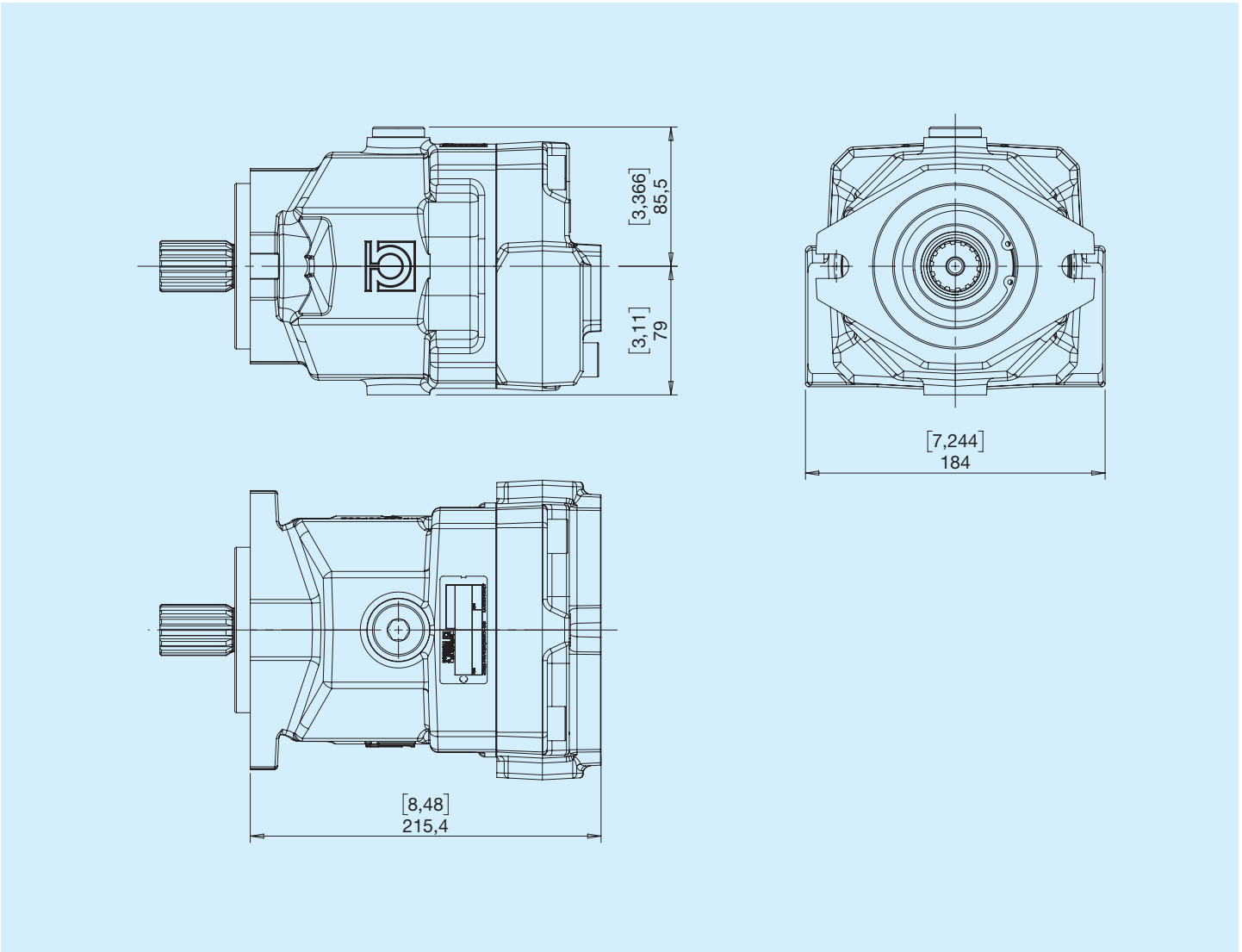
A Coupled sideways



L Opposite sideways

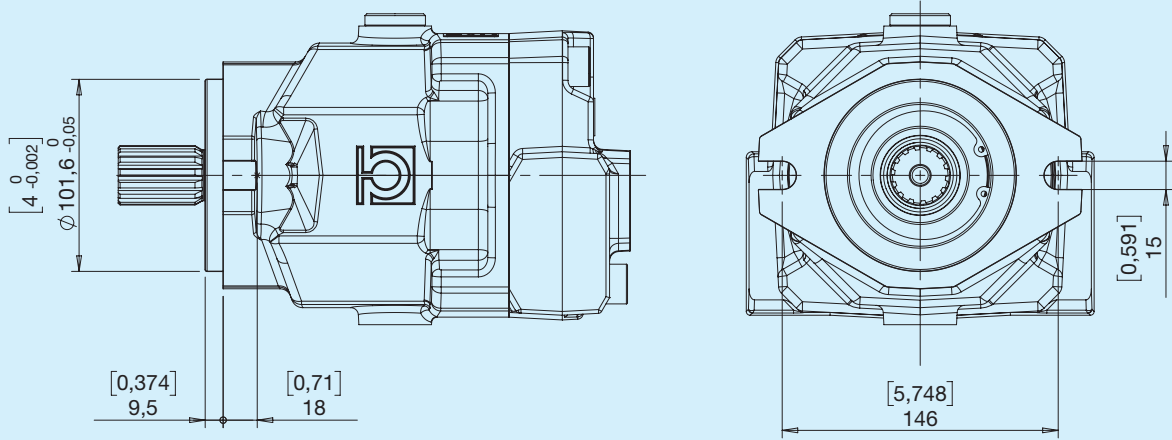


P Rear

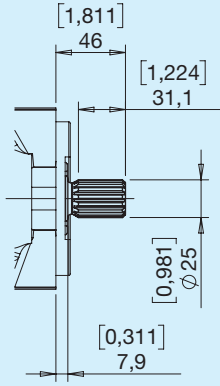


HPM6	Nominal displacement		Swash plate	Pressure						Rotational speed		Weight	
				continuous		intermittent		peak		MAX	MIN	kg	lbs
	cm ³	in ³	°	bar	psi	bar	psi	bar	psi	min ⁻¹	min ⁻¹		
061	61.3	3,74	14.6	420	6090	450	6525	500	7250	4000	500	25.1	55,3
068	68	4,15	18	420	6090	450	6525	500	7250	4000	500	25.2	55,6
080	79.7	4,86	18	400	5800	420	6090	450	6525	4000	500	25.8	56,9

B SAE B

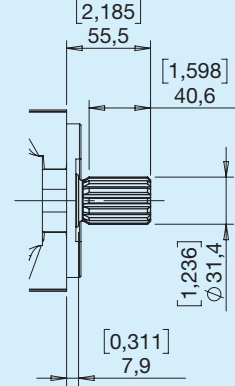


1 SAE 15T 16/32 DP



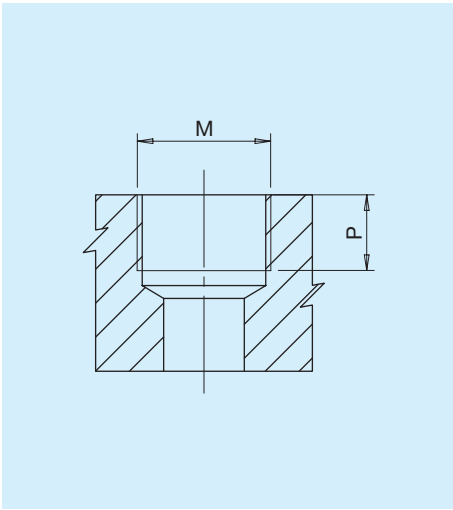
Max. torque 460 Nm

3 SAE 14T 12/24 DP



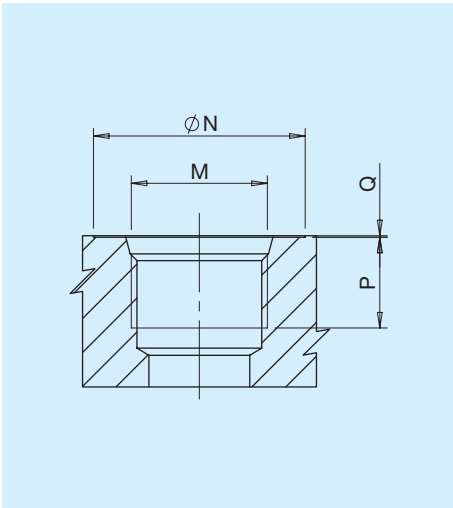
Max. torque 850 Nm

Type G



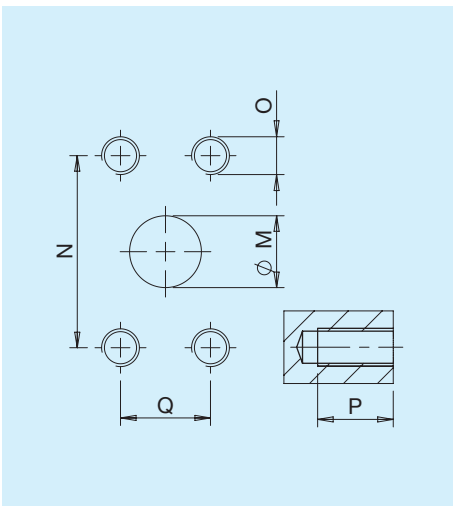
Type	M		P	
		Nm	mm	in
G6	Port ISO 1179-1 - G 3/4	90	16	0.63
G7	Port ISO 1179-1 - G 1	16	20	0.79

Type U



Type	Dim.	N		P		Q		M	Nm
		mm	in	mm	in	mm	in		
U6	3/4"	42	1.65	18	0.70	0.3	0.01	Port ISO 11926-1-1 1/16-12	90
U7	1"	49	1.93	18	0.70	0.3	0.01	Port ISO 11926-1-1 5/16-12	160

Type N

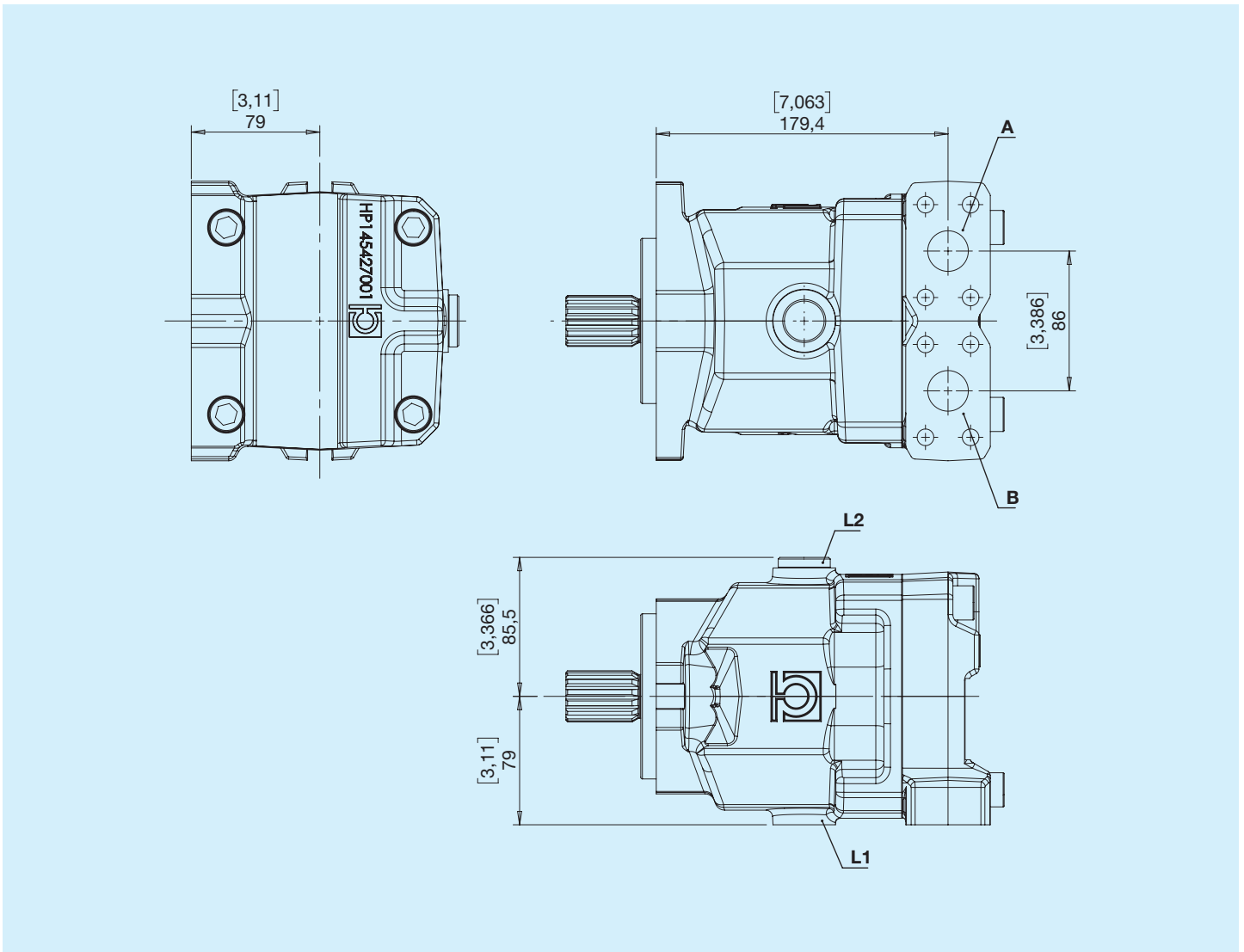


Type	M		N		Q		P		O	Nm
	mm	in	mm	in	mm	in	mm	in		
N7	25	1	57.15	2.25	27.76	1.09	20	0.79	M12	70

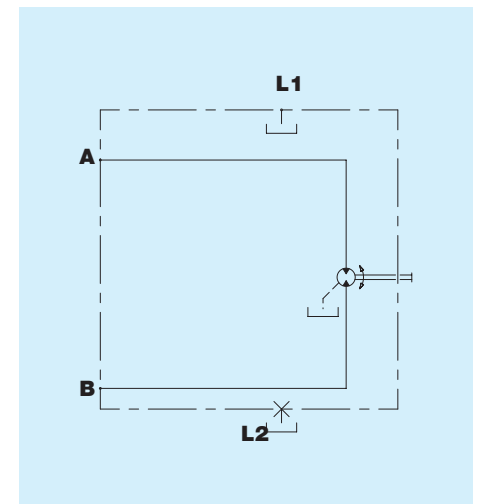
Combinations

Type	Inlet/outlet A-B	Drain port L1-L2	Drain port (op.) L3
G	G6	G6	G6
U	U6	U6	U6

A Coupled sideways

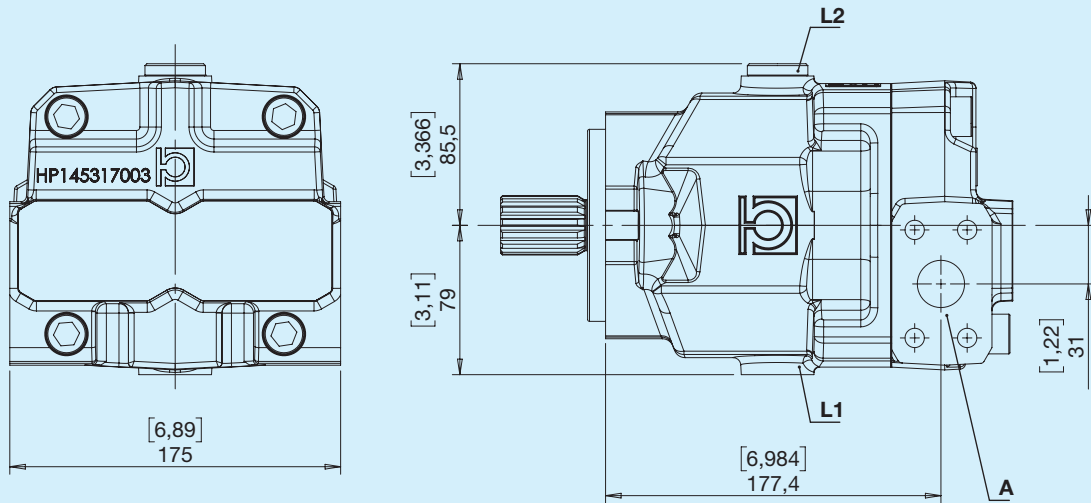


Hydraulic diagram

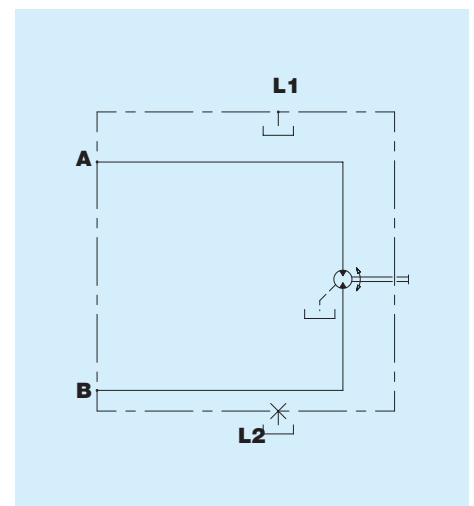


A,B - Use
L1, L2 - Drain port

L Opposite sideways

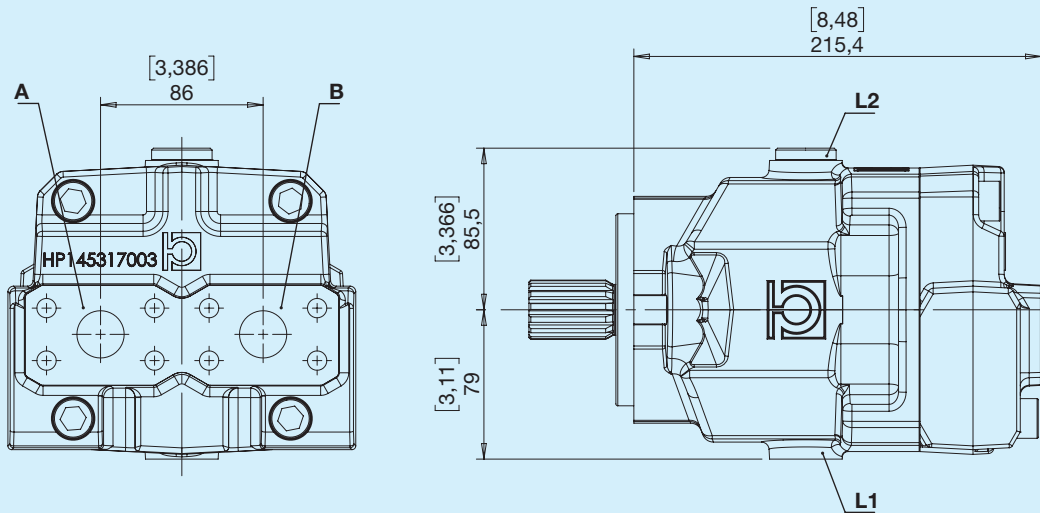


Hydraulic diagram

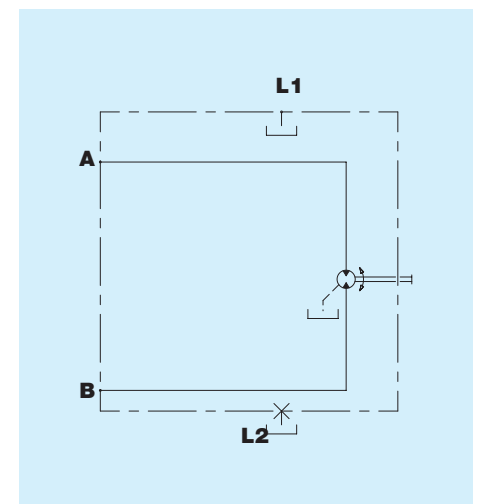


A,B - Use
L1, L2 - Drain port

P Rear

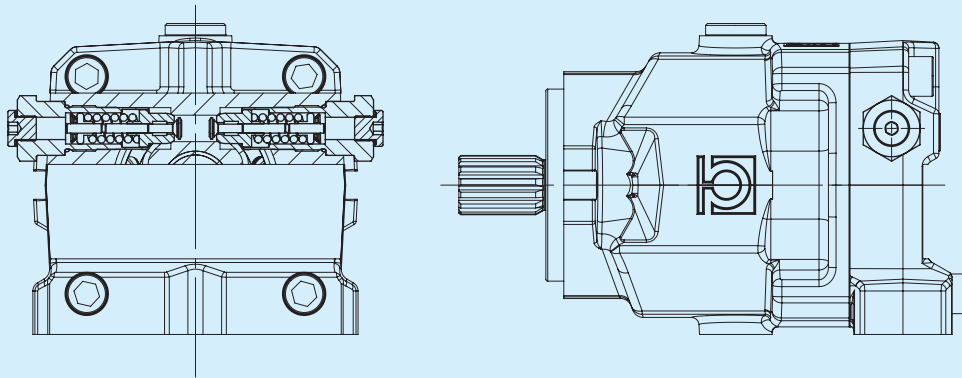


Hydraulic diagram

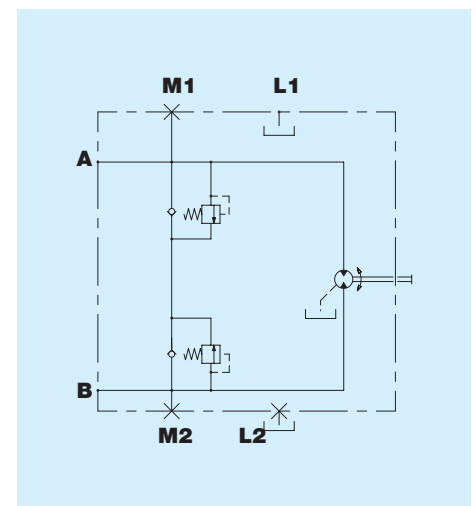


A,B - Use
L1, L2 - Drain port

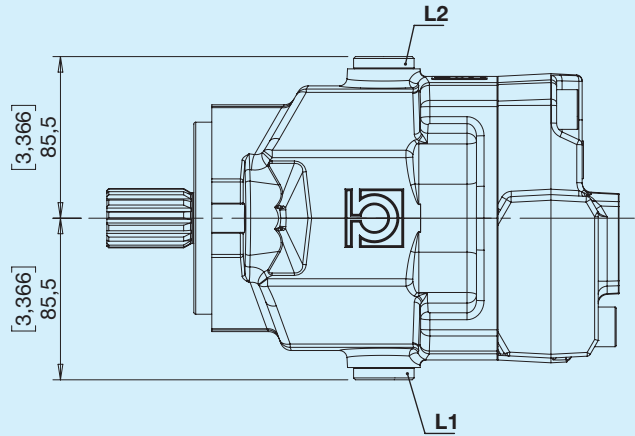
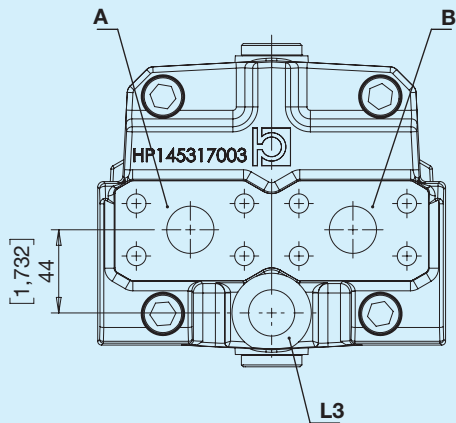
M Pressure limiter and anticavitation valve



Hydraulic diagram

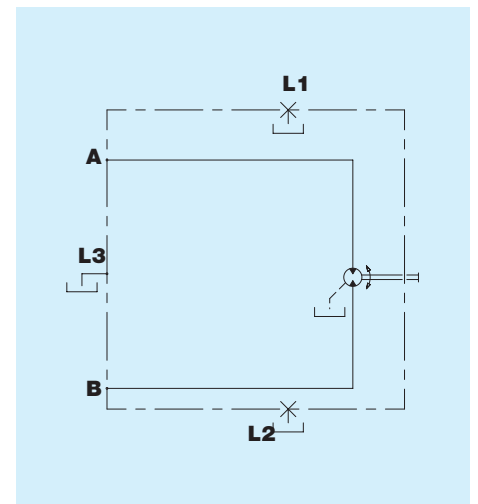


P Rear drainage

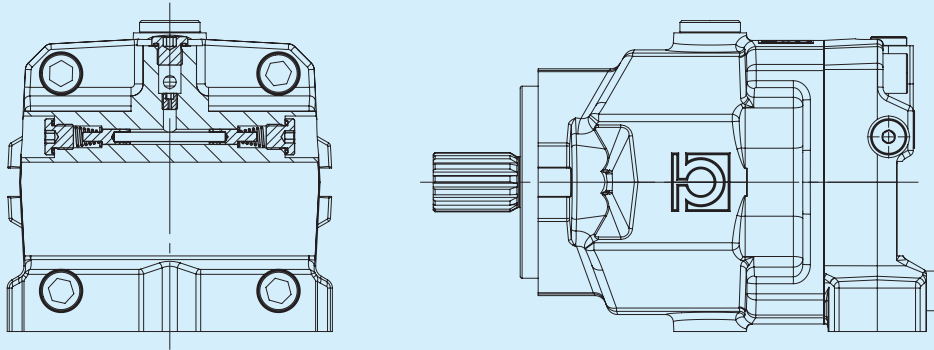


L3 - Drain port G1

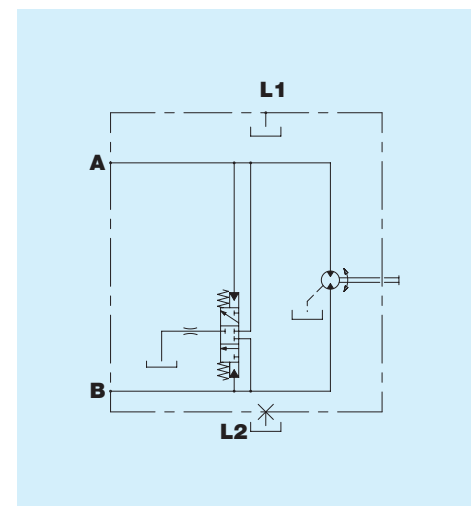
Hydraulic diagram



V Flushing valve (5-7 l/min)



Hydraulic diagram



HPM6	1	2	3	4	5	6	7	8	9	10	11	12	13
1	2	3											
Displacement													
061			068				080						
Direction of rotation													
B Bidirectional													
Flanges													
B SAE B													
Shaft profile													
1 SAE 15T 16/32 DP					3 SAE 14T 12/24 DP								
Type of ports													
G Gas						U Unf							
Position of ports													
A Coupled sideways				L Opposite sideways				P Rear					
Accessories													
O No option			P Rear drainage				V Flushing valve						
M Pressure limiter and anticavitation valve			S Multiple accessories										
Valve calibration													
I 280 bar			O 350 bar				Q 420 bar						
L 300 bar			P 400 bar				R 450 bar						
Special versions													
...													