

Transmittable nominal torque 670 Nm



ABA SAE 3 B - 2 M14 holes

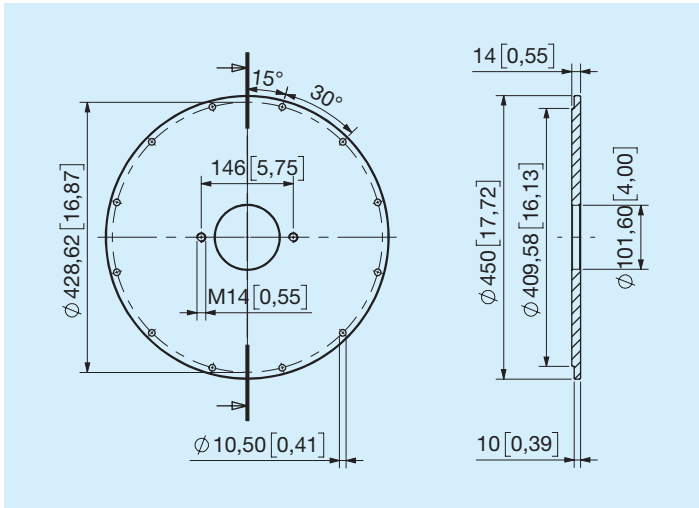
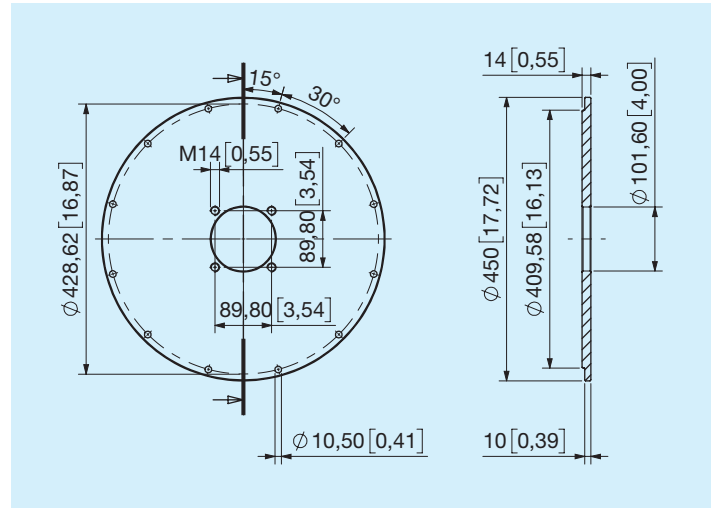
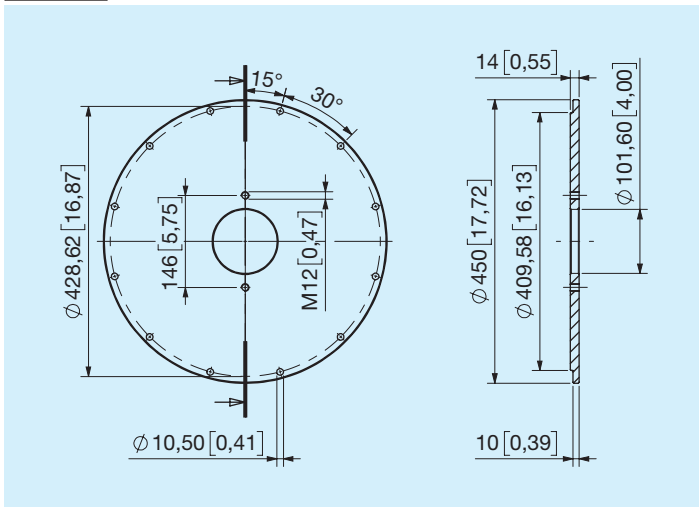


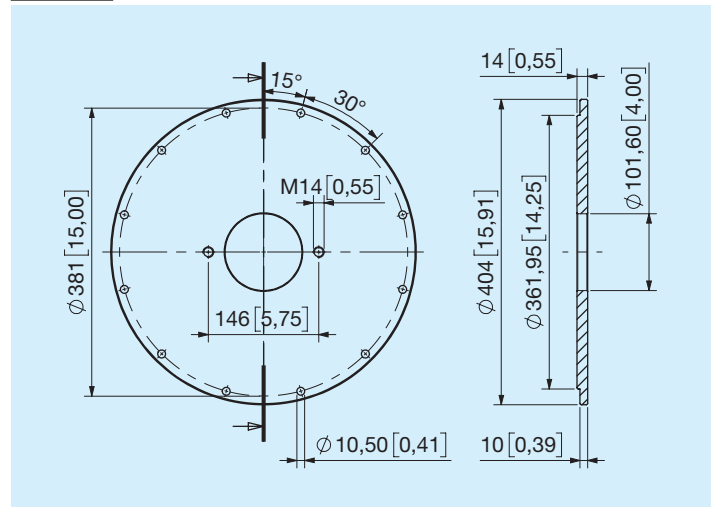
ABB SAE 3 B - 4 M14 holes



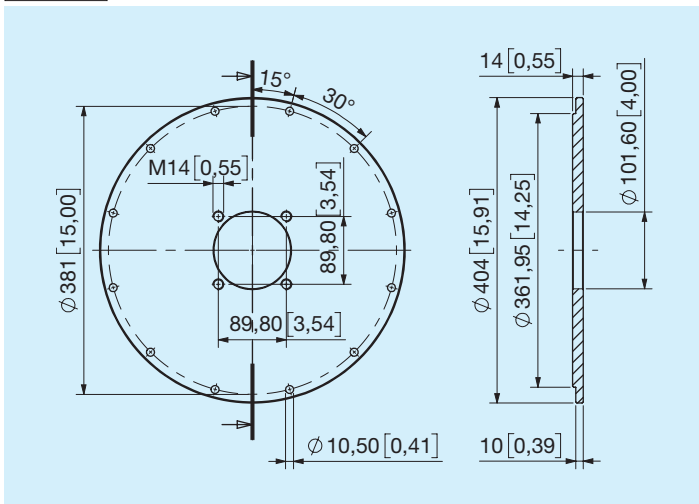
ABC SAE 3 B - 2 M12 holes



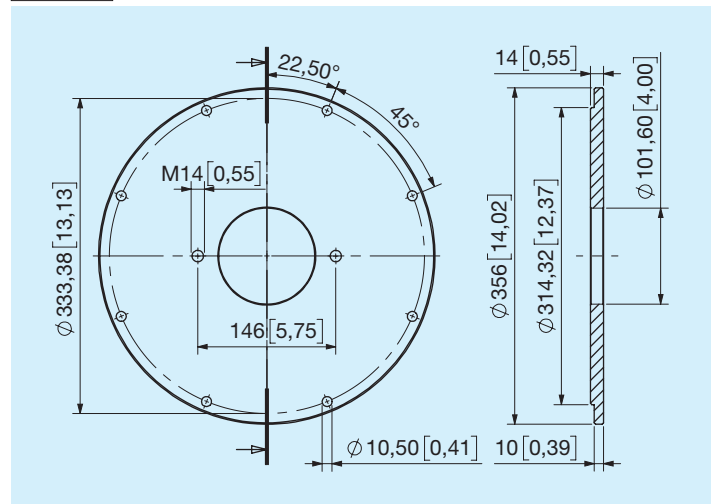
ACA SAE 4 B - 2 M14 holes



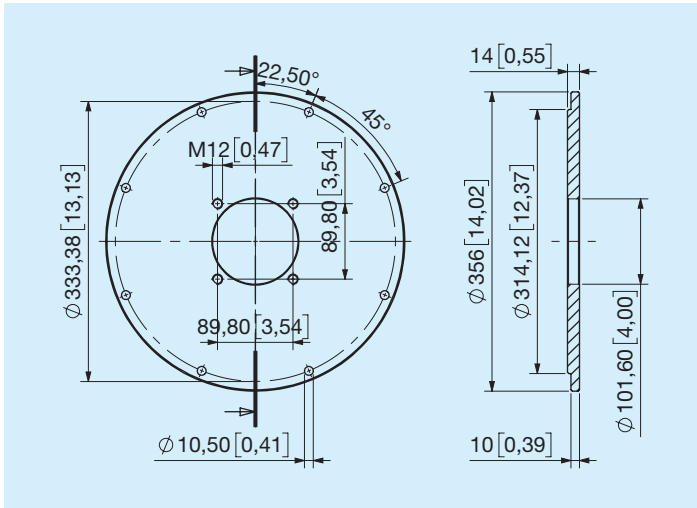
ACB SAE 4 B - 4 M14 holes



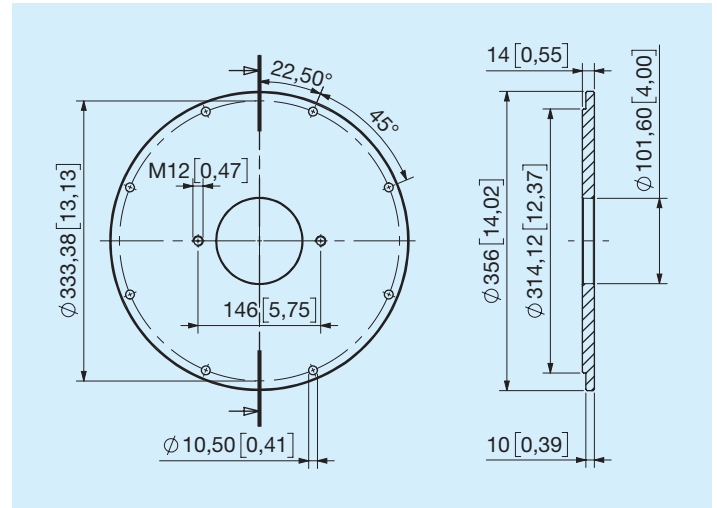
ADA SAE 5 B - 2 M14 holes



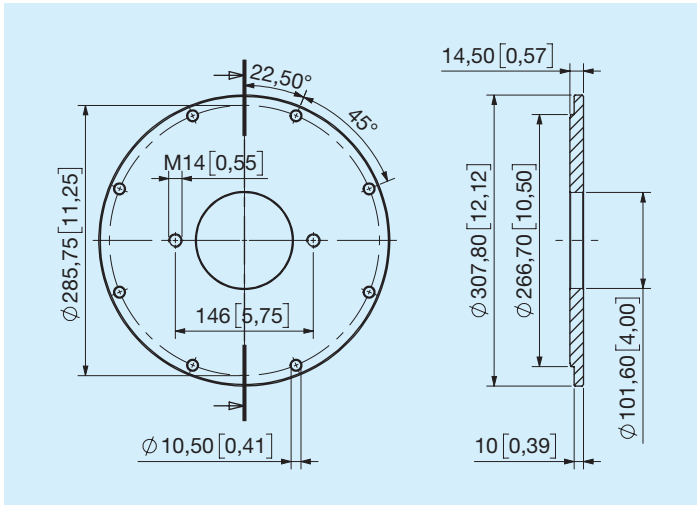
ADB SAE 5 B - 4 M14 holes



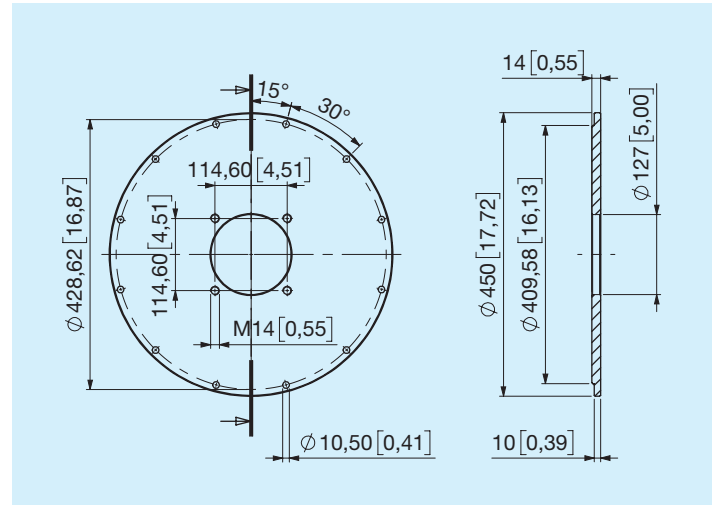
ADC SAE 5 B - 2 M12 holes



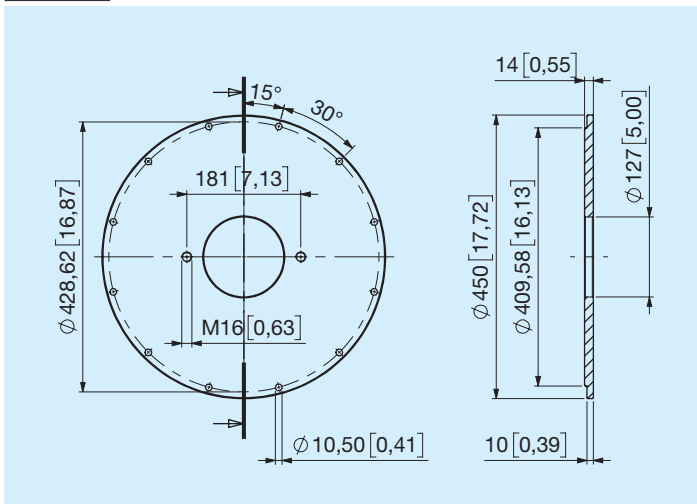
AEA SAE 6 B - 2 M14 holes



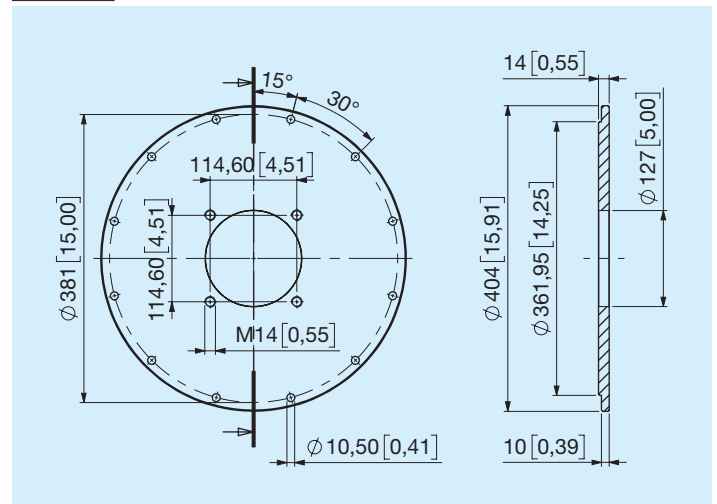
AGA SAE 3 C - 4 M14 holes



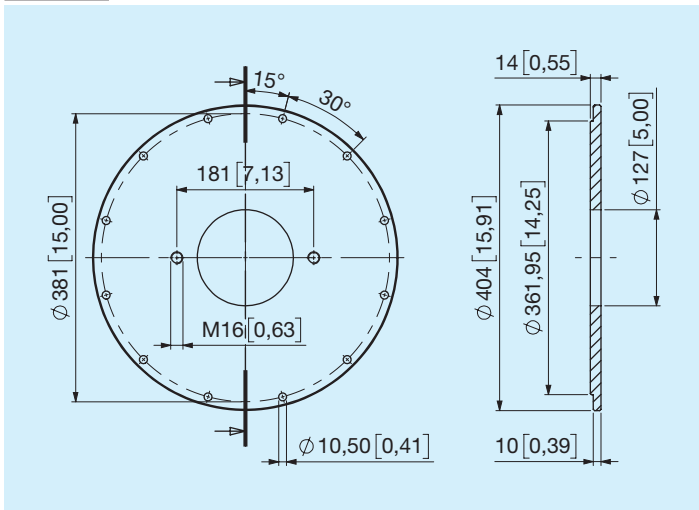
AGD SAE 3 C - 2 M16 holes



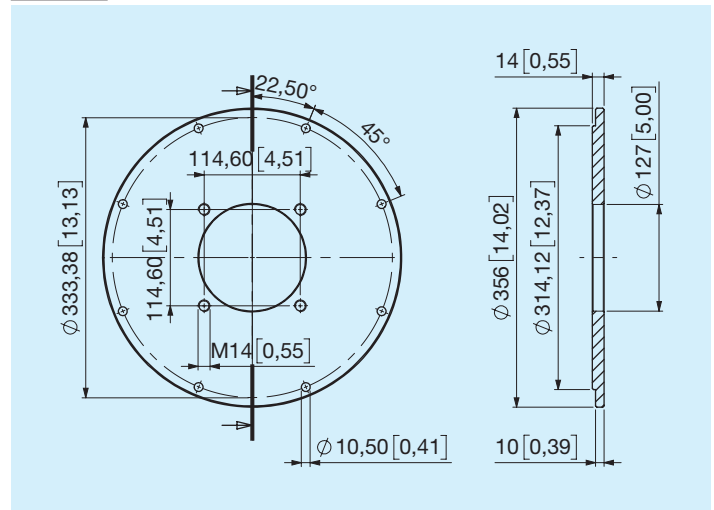
AHA SAE 4 C - M14 holes



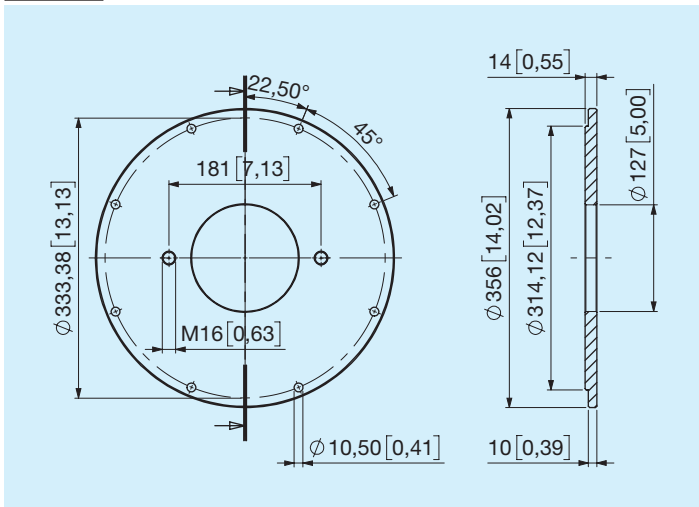
AHD SAE 4 C - 2 M16 holes



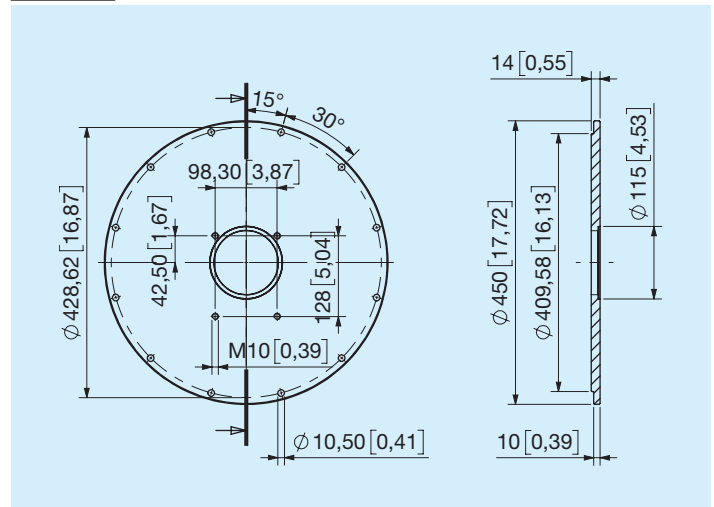
ALA SAE 5 C - 4 M14 holes



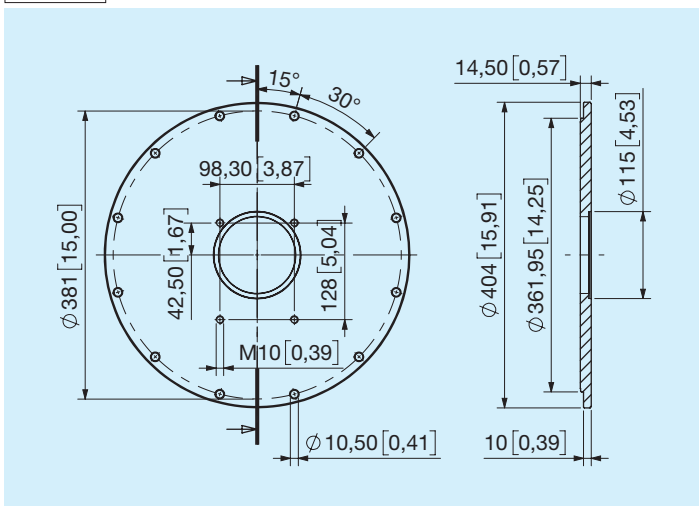
ALC SAE 5 C - 2 M16 holes



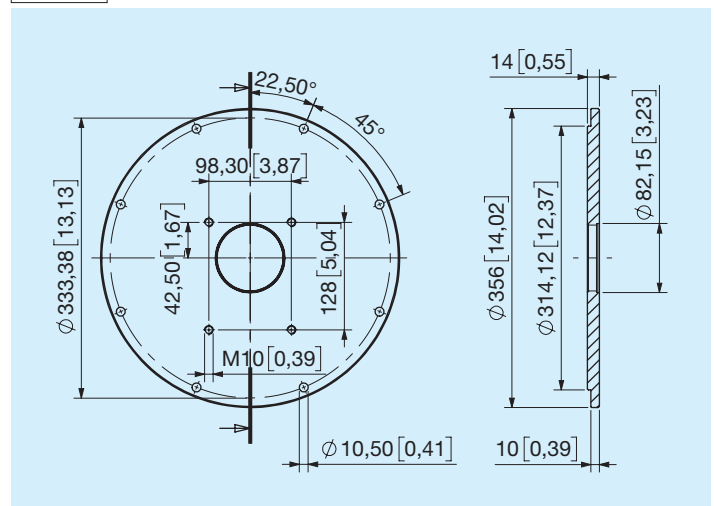
ARG SAE 3 GR. 3



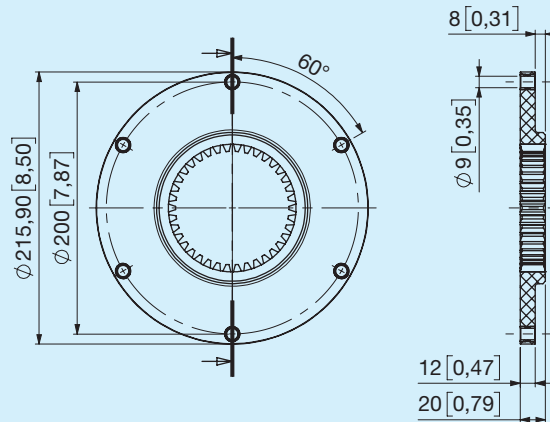
ASG SAE 4 GR. 3



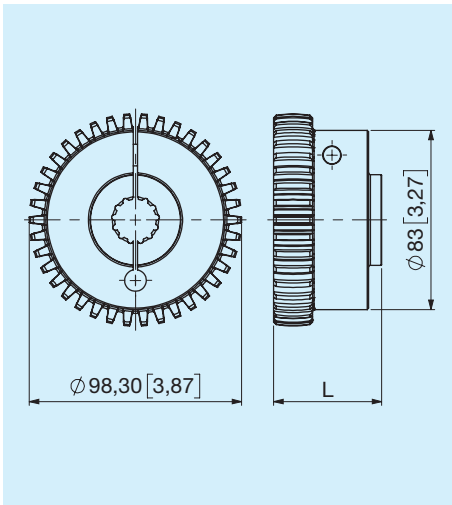
ATC SAE 5 GR. 3



003 6" 1/2 flange

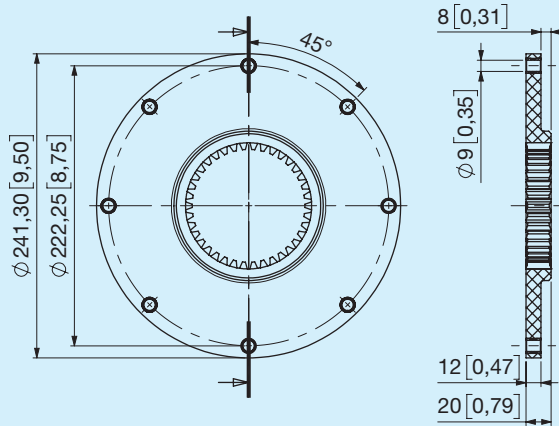


Flange hubs 003

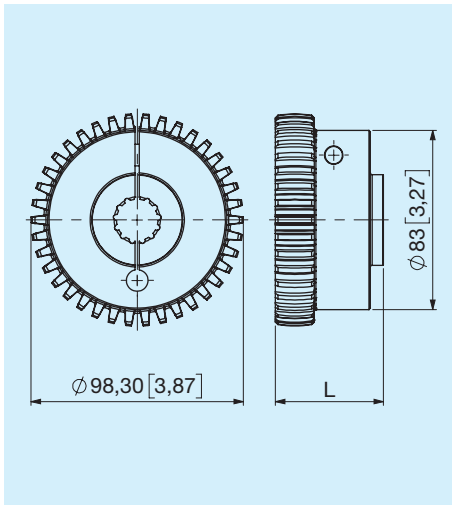


Code	Pump shaft	Teeth	L mm	Weight kg	j kgm ²	Screw	Torque Nm
CAC	Z.13 16/32	38	37	1,3	0,0023	M8	25
CBM	Z.14 12/24	38	37	1,2	0,0023	M8	25
CBE	W30x2x14	38	37	1,2	0,0023	M8	25
CDD	Z.15 16/32	38	37	1,3	0,0023	M8	25
CEF	W35x2x16	38	37	1,2	0,0023	M8	25
CPC	GR. 3	38	37	1,3	0,0023		

004 7" 1/2 flange

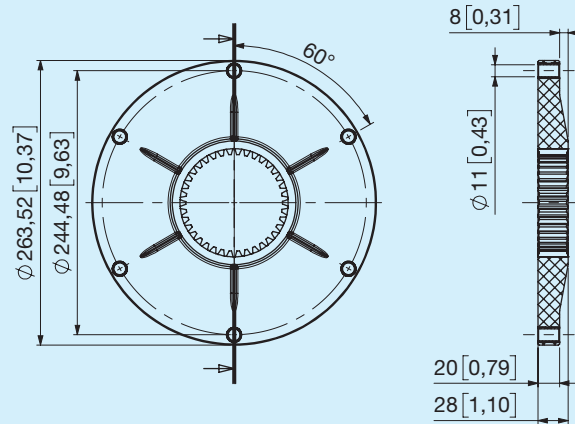


Flange hubs 004

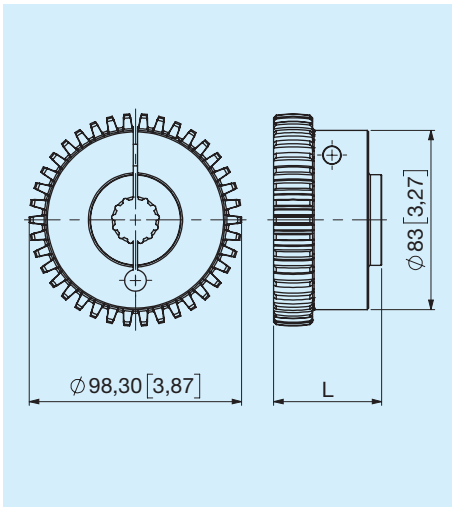


Code	Pump shaft	Teeth	L mm	Weight kg	j kgm ²	Screw	Torque Nm
CAC	Z.13 16/32	38	37	1,3	0,0023	M8	25
CBM	Z.14 12/24	38	37	1,2	0,0023	M8	25
CBE	W30x2x14	38	37	1,2	0,0023	M8	25
CDD	Z.15 16/32	38	37	1,3	0,0023	M8	25
CEF	W35x2x16	38	37	1,2	0,0023	M8	25
CPC	GR. 3	38	37	1,3	0,0023		

005 8' flange

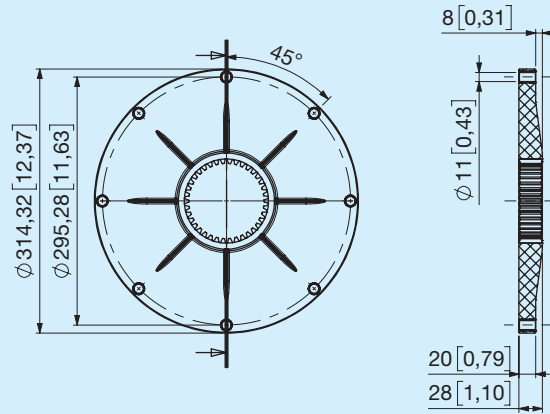


Flange hubs 005

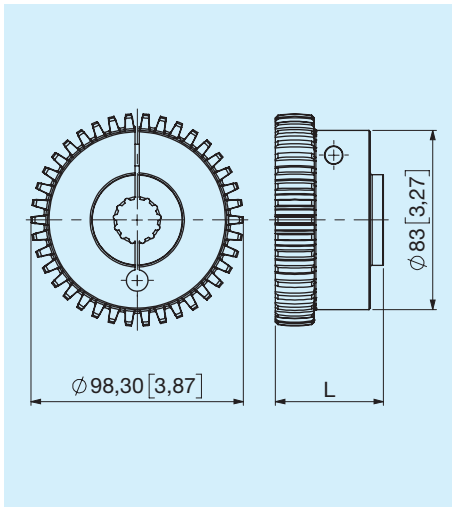


Code	Pump shaft	Teeth	L mm	Weight kg	j kgm ²	Screw	Torque Nm
CAE	Z.13 16/32	38	60	2,1	0,0023	M10	49
CBH	Z.14 12/24	38	60	2	0,0023	M10	49
CBA	W30x2x14	38	60	2	0,0023	M10	49
CDB	Z.15 16/32	38	60	2,1	0,0023	M10	49
CEC	W35x2x16	38	60	2	0,0023	M10	49
CIG	Z.21 16/32	38	60	1,9	0,0023	M10	49
CMC	Z.23 16/32	38	60	1,9	0,0023	M10	49

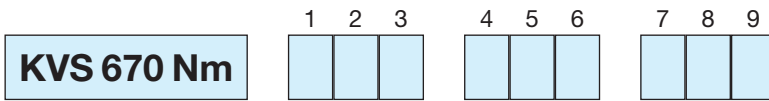
006 10' flange



Flange hubs 006



Code	Pump shaft	Teeth	L mm	Weight kg	j kgm ²	Screw	Torque Nm
CAA	Z.13 16/32	38	50	1,8	0,0023	M10	49
CBB	Z.14 12/24	38	50	1,7	0,0023	M10	49
CBC	W30x2x14	38	50	1,7	0,0023	M10	49
CDA	Z.15 16/32	38	50	1,7	0,0023	M10	49
CEA	W35x2x16	38	50	1,6	0,0023	M10	49
CIE	Z.21 16/32	38	50	1,6	0,0023	M10	49
CMA	Z.23 16/32	38	50	1,5	0,0023	M10	49
CPA	GR. 3	38	50	1,6	0,0023		



1 2 3	Bell housings			
	ABA SAE 3 B - 2 M14 holes	ADA SAE 5 B - 2 M14 holes	AGD SAE 3 C - 2 M16 holes	ARG SAE 3 GR. 3
	ABB SAE 3 B - 4 M14 holes	ADB SAE 5 B - 4 M14 holes	AHA SAE 4 C - M14 holes	ASG SAE 4 GR. 3
	ABC SAE 3 B - 2 M12 holes	ADC SAE 5 B - 2 M12 holes	AHD SAE 4 C - 2 M16 holes	ATC SAE 5 GR. 3
	ACA SAE 4 B - 2 M14 holes	AEA SAE 6 B - 2 M14 holes	ALA SAE 5 C - 4 M14 holes	
	ACB SAE 4 B - 4 M14 holes	AGA SAE 3 C - 4 M14 holes	ALC SAE 5 C - 2 M16 holes	
4 5 6	Flanges			
	003 6" 1/2	005 8"	008 11" 1/2	
	004 7" 1/2	006 10"		
7 8 9	Hubs			
	CAC Z.13 16/32 L=37	CBE W30x2x14 L=37	CEG W35x2x16 L=45	CMA Z.23 16/32 L=50
	CAA Z.13 16/32 L=50	CBC W30x2x14 L=50	CEA W35x2x16 L=50	CMC Z.23 16/32 L=60
	CAE Z.13 16/32 L=60	CBA W30x2x14 L=60	CEC W35x2x16 L=60	CPC GR. 3 L=37
	CBM Z.14 12/24 L=37	CDD Z.15 16/32 L=37	CIF Z.21 16/32 L=45	CPA GR. 3 L=50
	CBG Z.14 12/24 L=45	CDA Z.15 16/32 L=50	CIE Z.21 16/32 L=50	
	CBB Z.14 12/24 L=50	CDB Z.15 16/32 L=60	CIG Z.21 16/32 L=60	
	CBH Z.14 12/24 L=60	CEF W35x2x16 L=37	CMB Z.23 16/32 L=45	