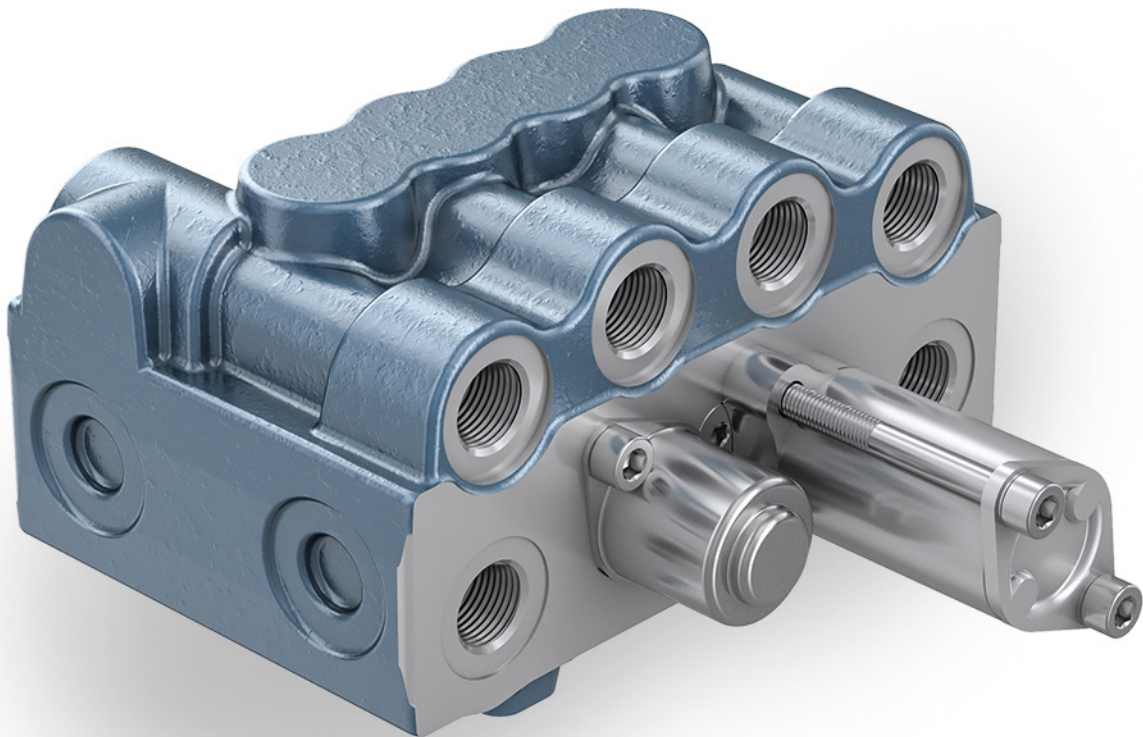
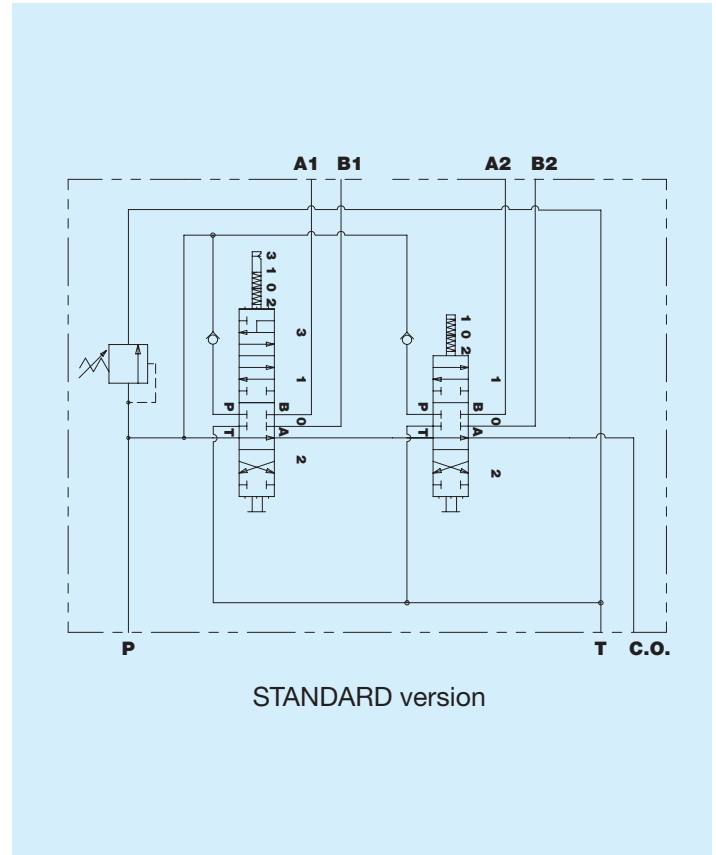


DN46FC - Directional control valve

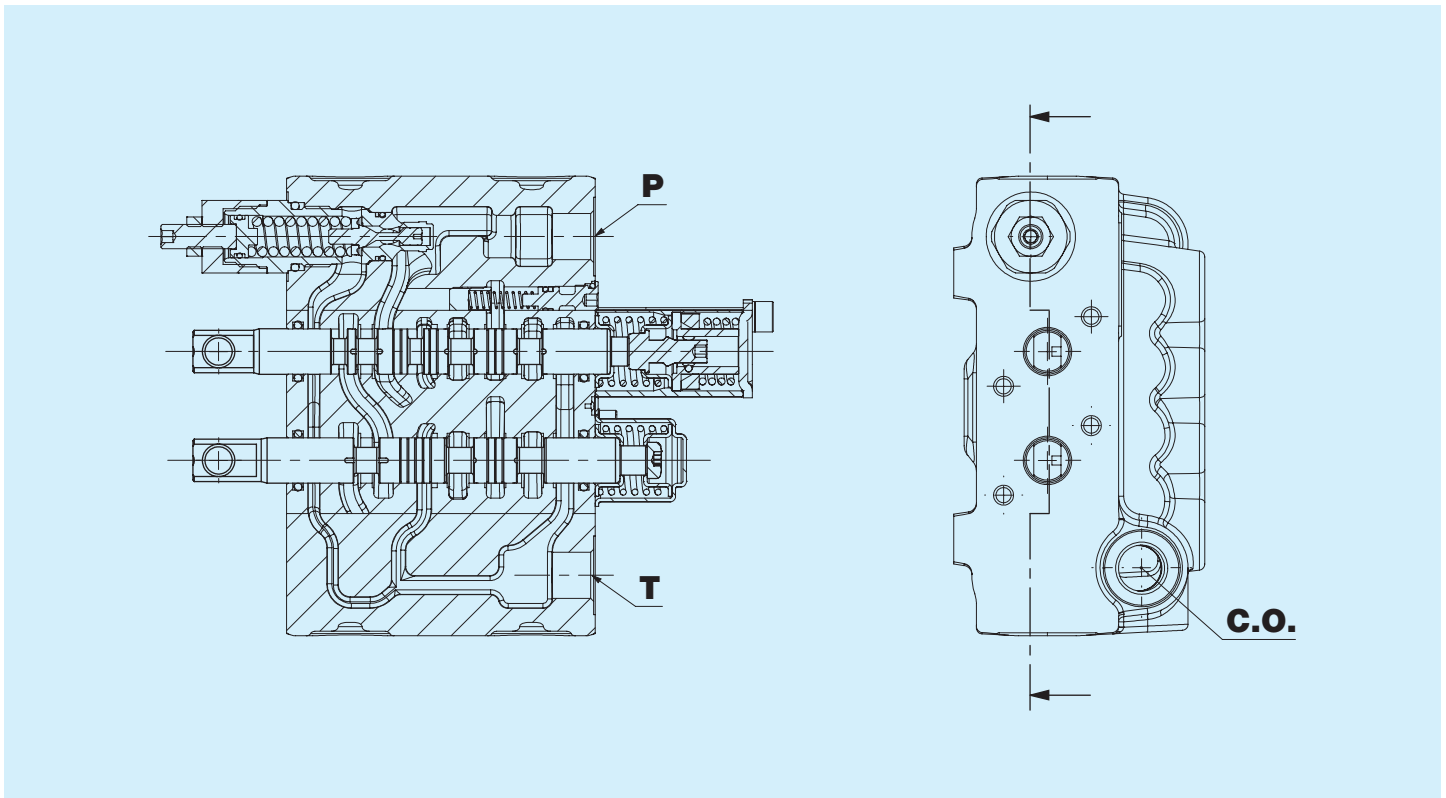


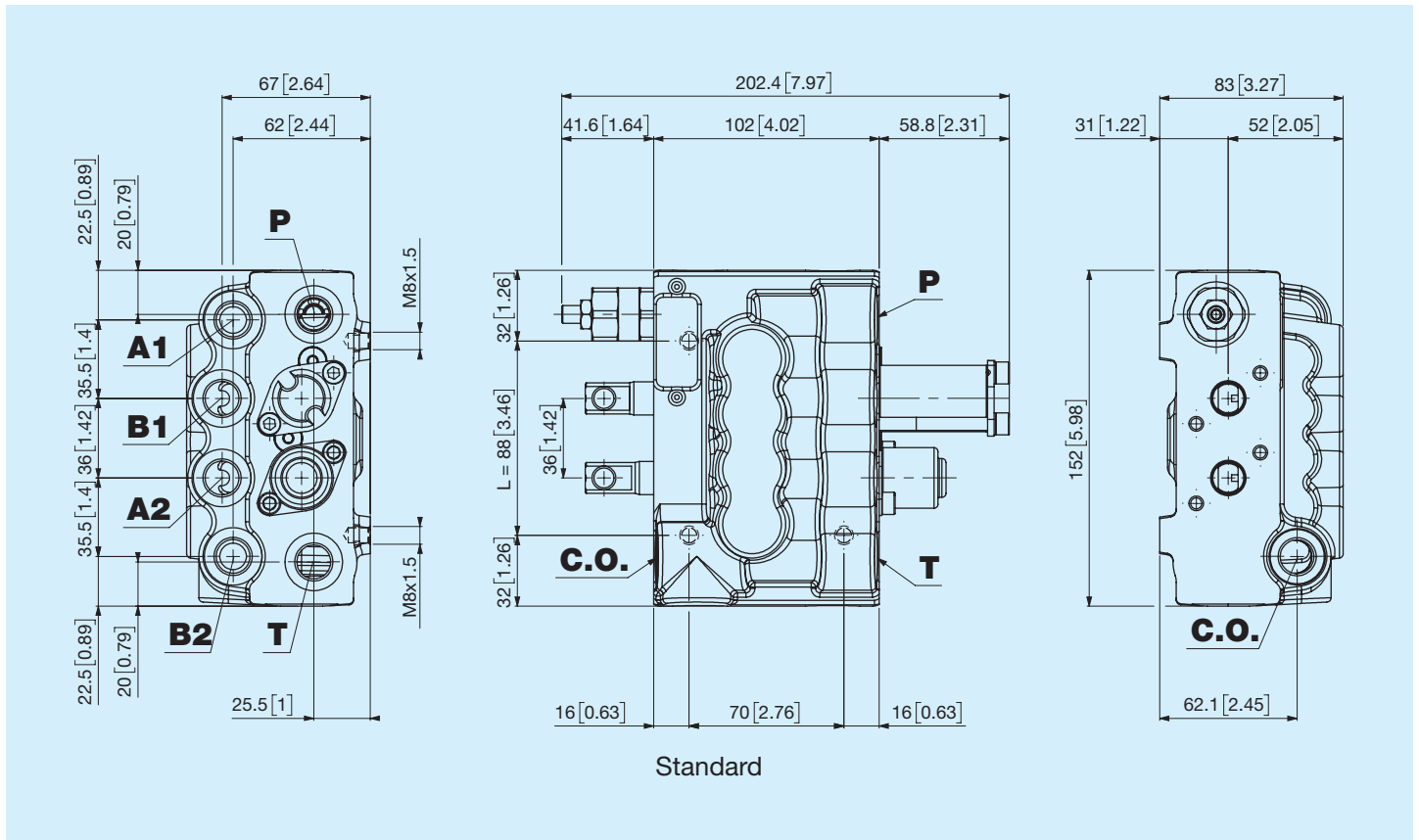
Before use, carefully read the GENERAL INSTRUCTIONS FOR USE OF DIRECTIONAL CONTROL VALVES

Nominal flow	45 l/min 11.9 US gpm
Nominal pressure	250 bar 3625 psi
Maximum tank pressure	50 bar 725 psi
Maximum internal leakage (A or B -> P and T) p=100 bar (1450 psi)	8 cm³/min 0.488 in³/min
Temperature range	-20°C +85°C NBR seals (max peak +100°C) -20°C + 130°C HNBR seals
Oil viscosity	from 15 mm²/s to 90 mm²/s (15 cSt to 90 cSt)
Fluid	Hydraulic fluids as defined in ISO 6743-4 standard



Sectional

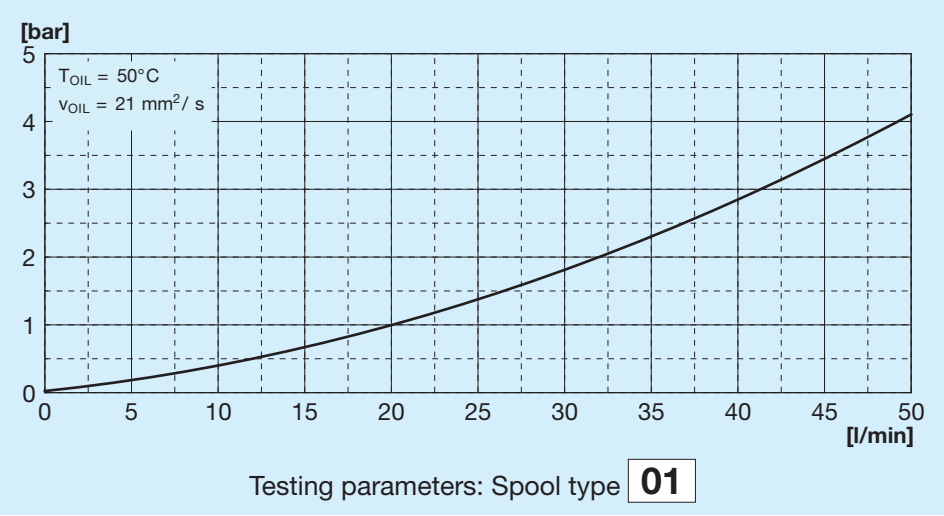
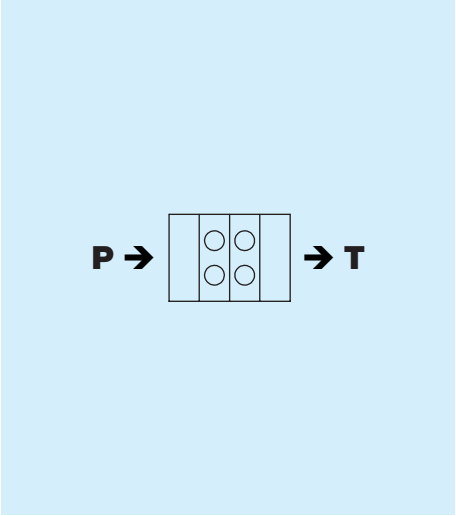




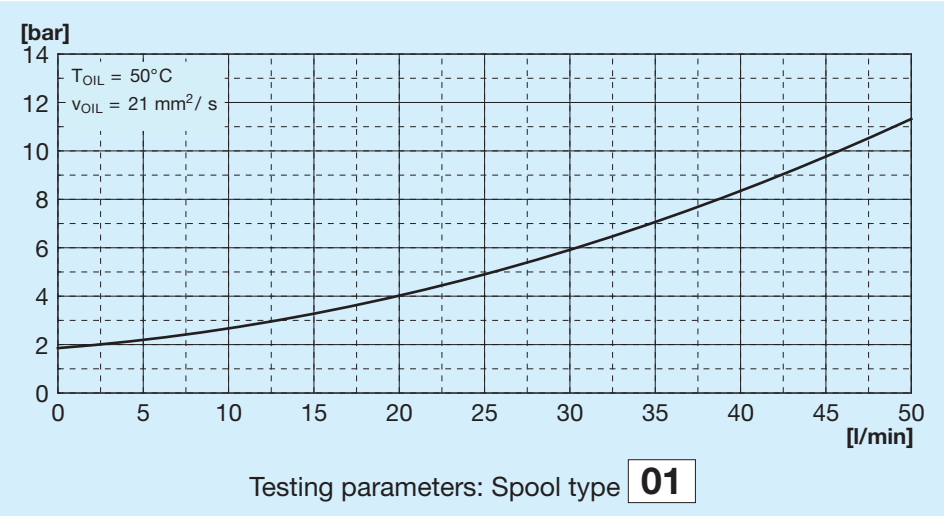
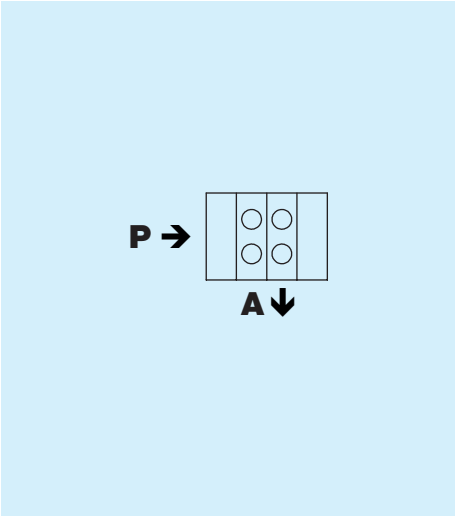
Dimensions per number of sections

Code	N° of sections	L		Weight	
		mm	in	kg	lb
2	2	88	3,46	7,2	15,84

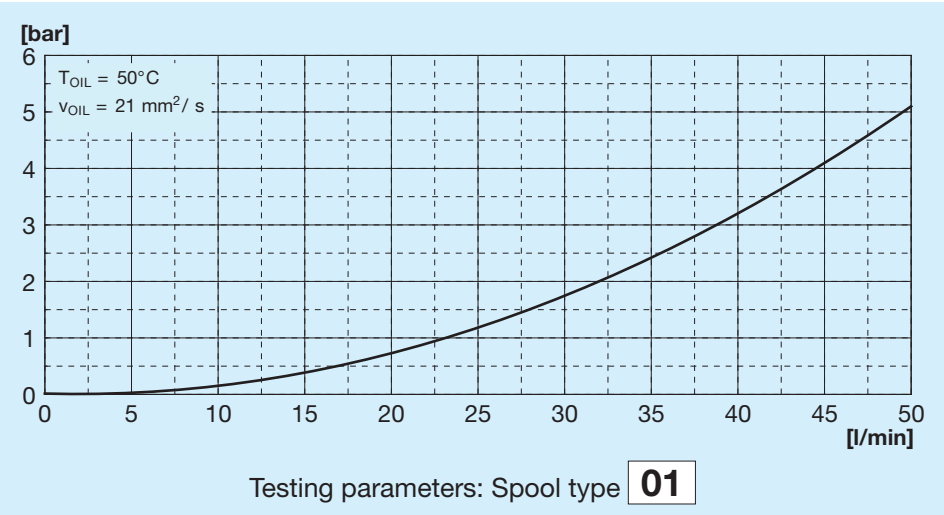
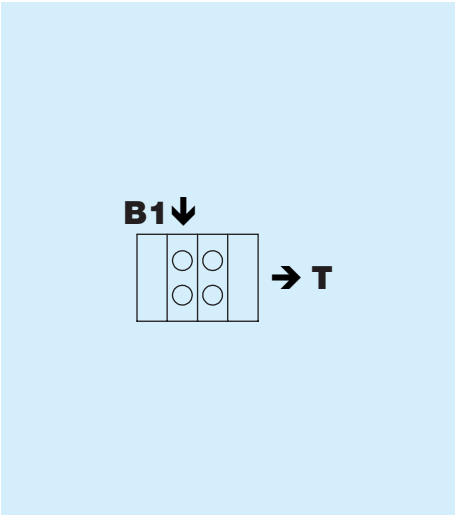
Pressure drop P-T



Pressure drop P-A



Pressure drop B1-T



Thread port P

Code	Type	Torque $\pm 10\%$ Nm
A	3/8" GAS ISO 1179	45
B	1/2" GAS ISO 1179	70
C	M18x1.5 ISO 9974	45
N	M22x1.5 ISO 9974	70
E	3/4" - 16 SAE ISO 11926	45
R	7/8" - 14 SAE ISO 11926	70

Thread ports A - B

Code	Type	Torque $\pm 10\%$ Nm
A	3/8" GAS ISO 1179	45
C	M18x1.5 ISO 9974	45
E	3/14" - 16 SAE ISO 11926	45

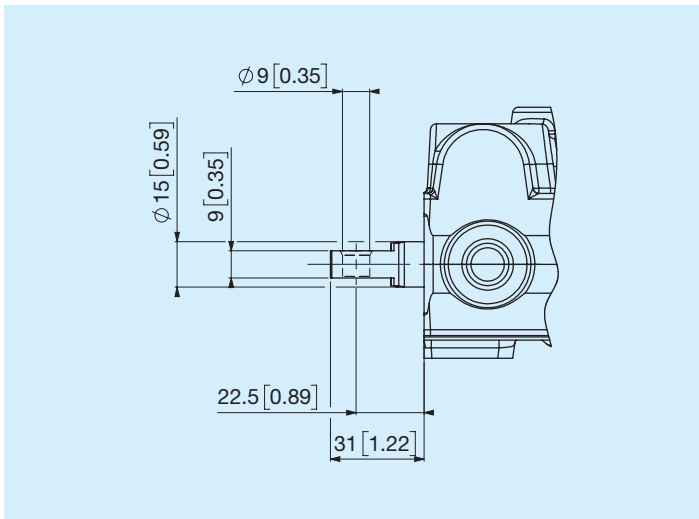
Thread port T

Code	Type	Torque $\pm 10\%$ Nm
A	3/8" GAS ISO 1179	45
C	M18x1.5 ISO 9974	45
W	M18x1.5 ISO 6149	45
P	9/16" - 18 SAE ISO 11926	27
E	3/14" - 16 SAE ISO 11926	45

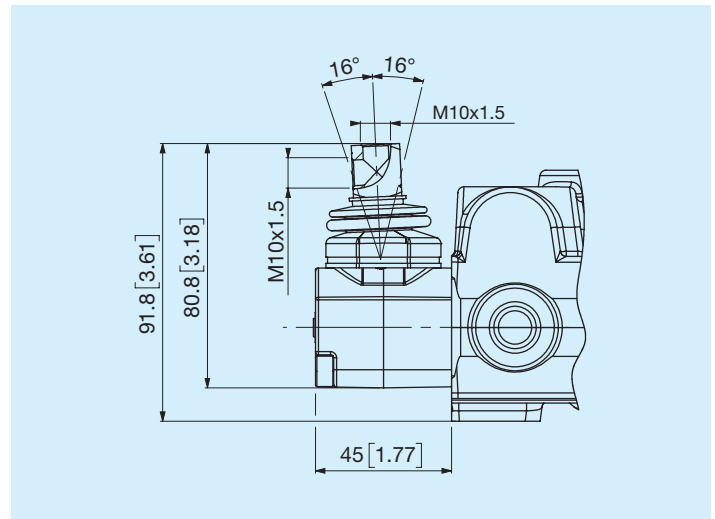
Thread ports T1-T2-T3

Code	Type	Torque $\pm 10\%$ Nm
L	1/4" GAS ISO 1179	27
A	3/8" GAS ISO 1179	45
3	M14x1.5 ISO 9974	27
C	M18x1.5 ISO 9974	45
W	M18x1.5 ISO 6149	45
P	9/16" - 18 SAE ISO 11926	27
E	3/4" - 16 SAE ISO 11926	45
0	Not processed	

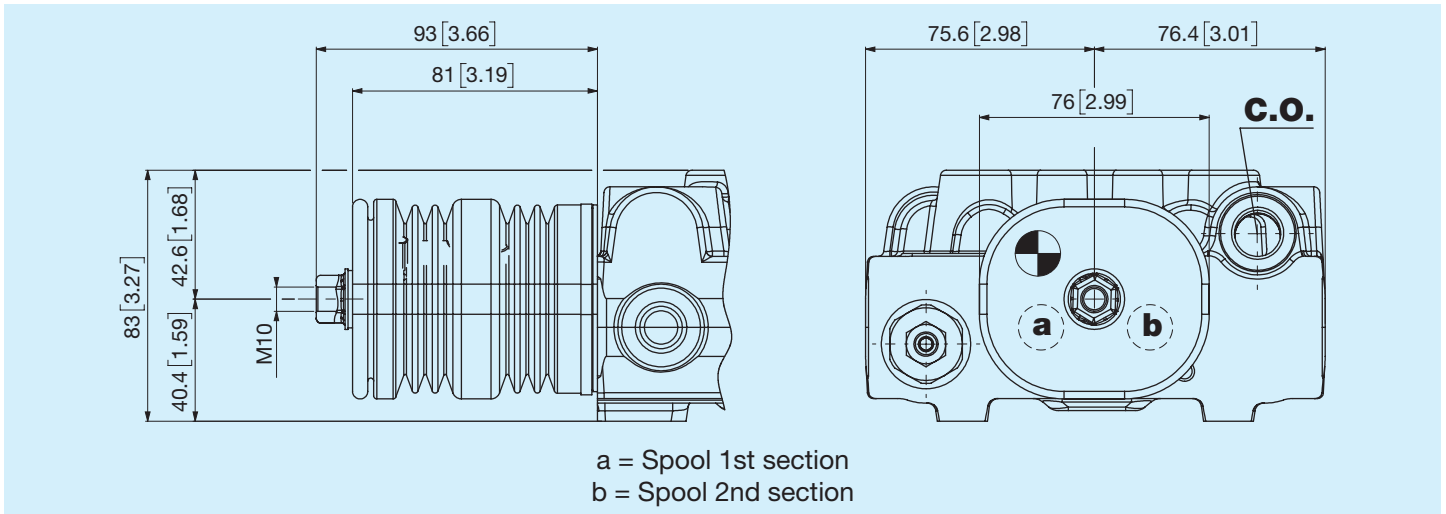
C Without lever holder, flat appendix



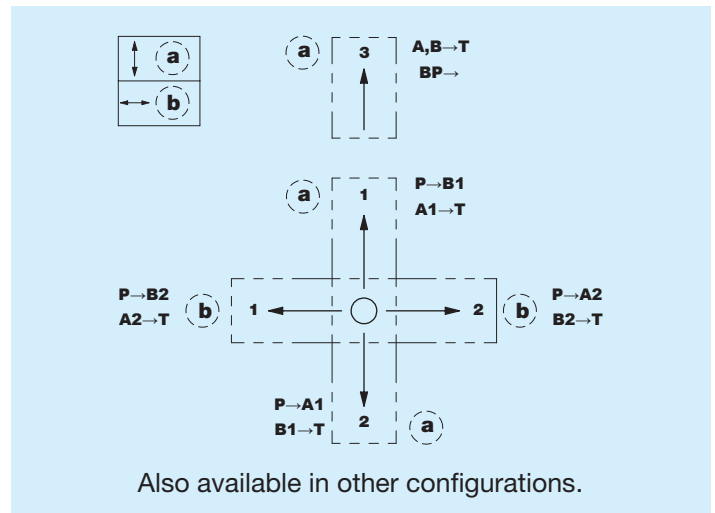
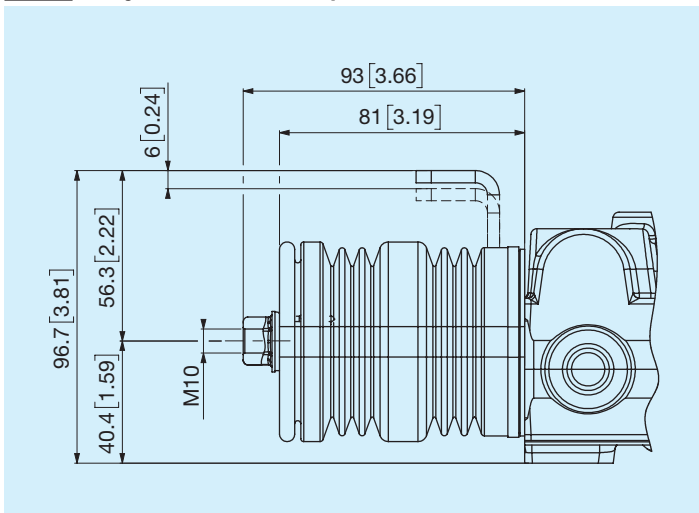
L Lever holder kit



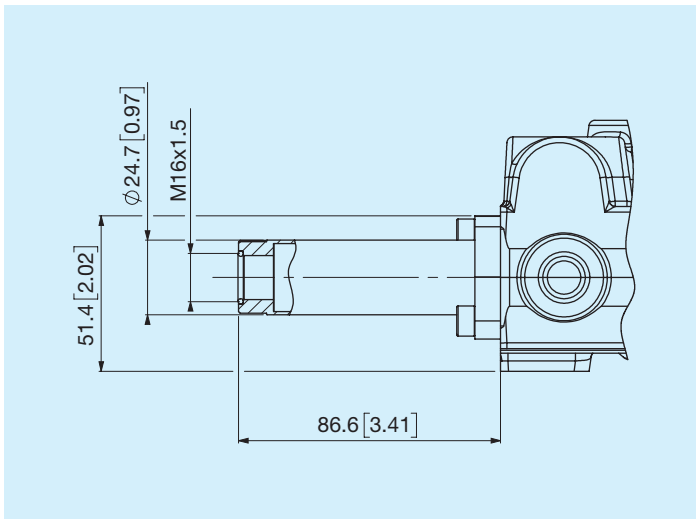
M Joystick



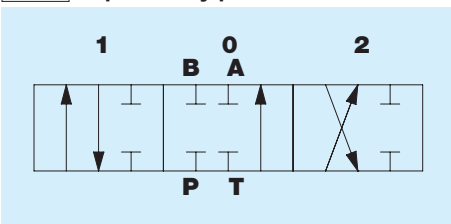
G Joystick with spool lock



T Cable setting



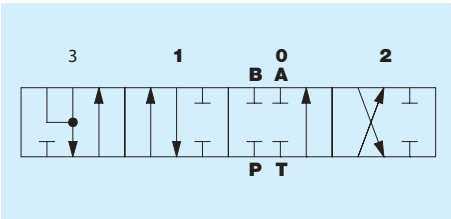
01 Spool type



Positions

3	1	0	2	4
	P → B A → T BP —	P, T — A, B — BP →	P → A B → T BP —	

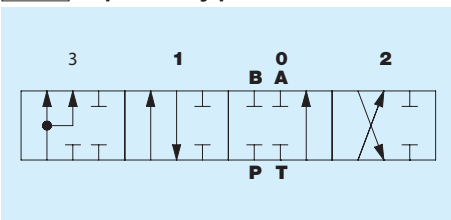
07 Spool type



Positions

3	1	0	2	4
A, B → T P — BP →	P → B A → T BP —	P, T — A, B — BP →	P → A B → T BP —	

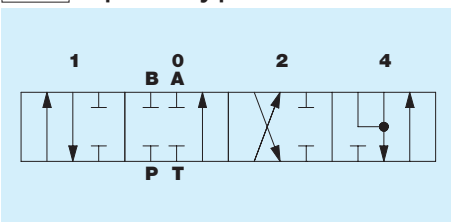
17 Spool type



Positions

3	1	0	2	4
P → A, B T — BP —	P → B A → T BP —	P, T — A, B — BP →	P → A B → T BP —	

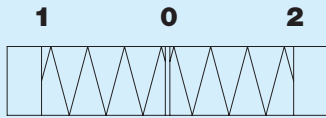
70 Spool type



Positions

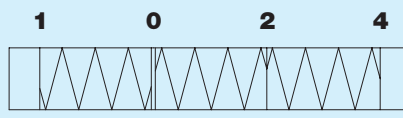
3	1	0	2	4
	P → B A → T BP —	P, T — A, B — BP →	P → A B → T BP —	A, B → T P — BP →

0A



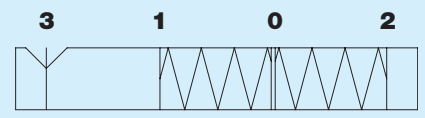
Neutral position in 0

0T



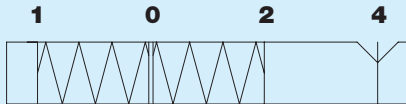
Neutral position in 0

NS



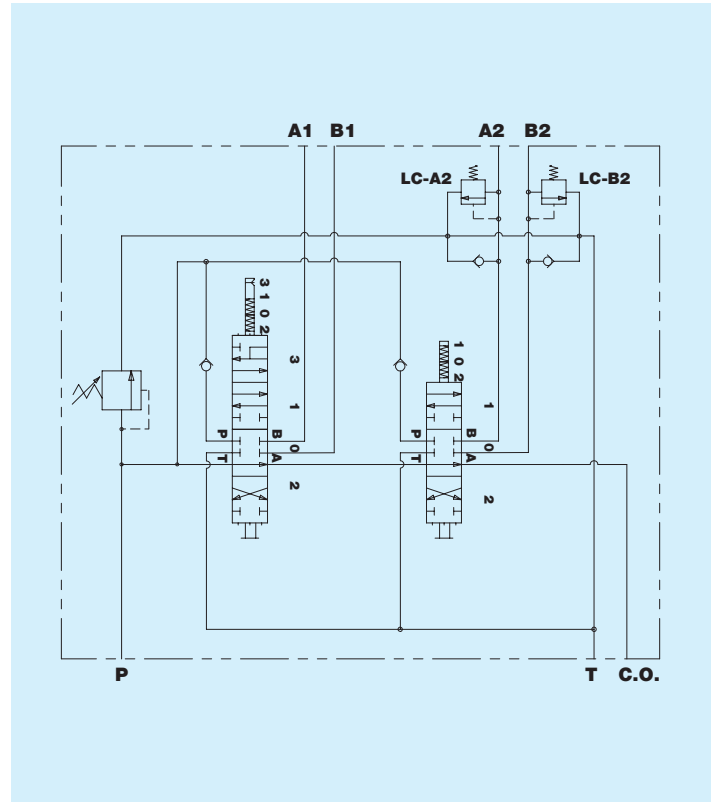
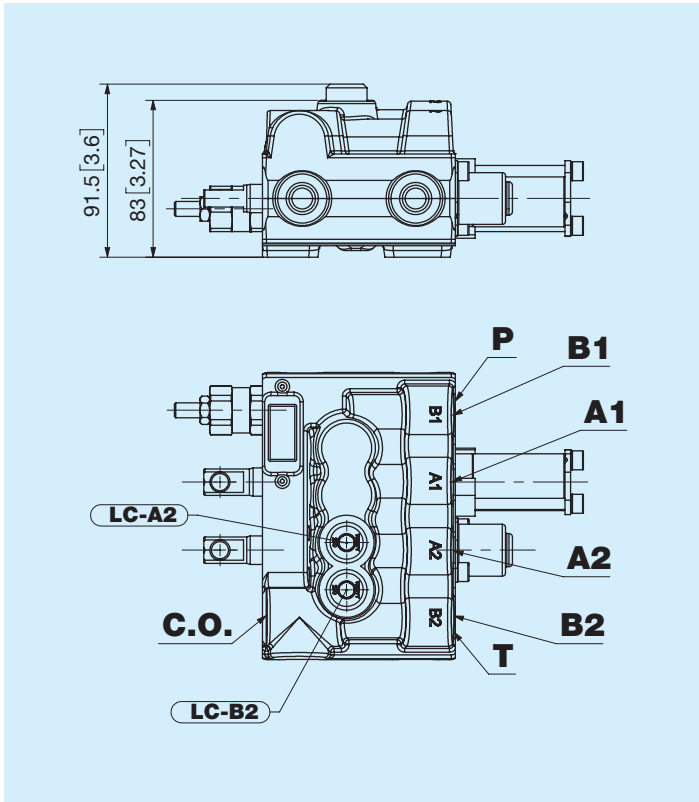
Neutral position in 0, detent in 3

NT

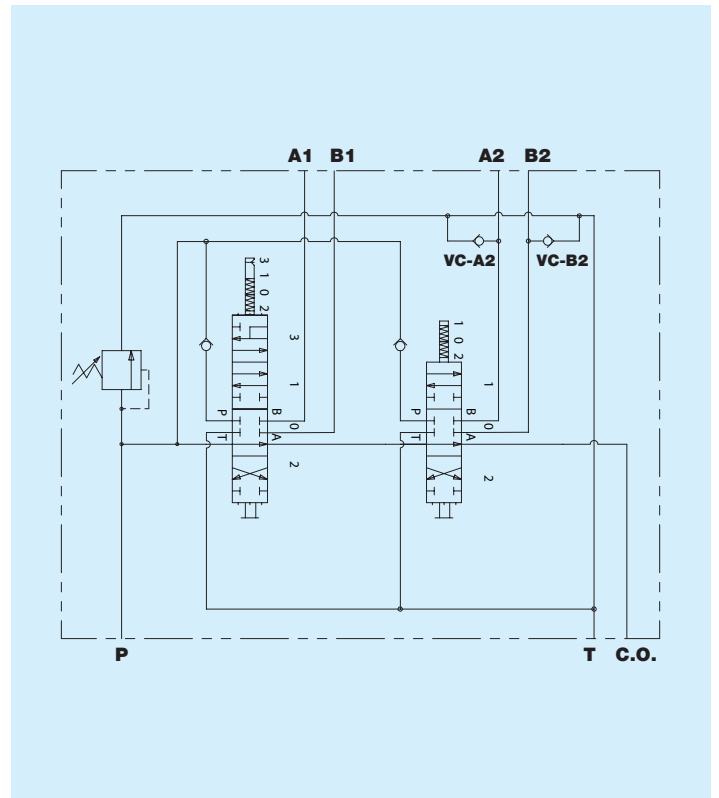
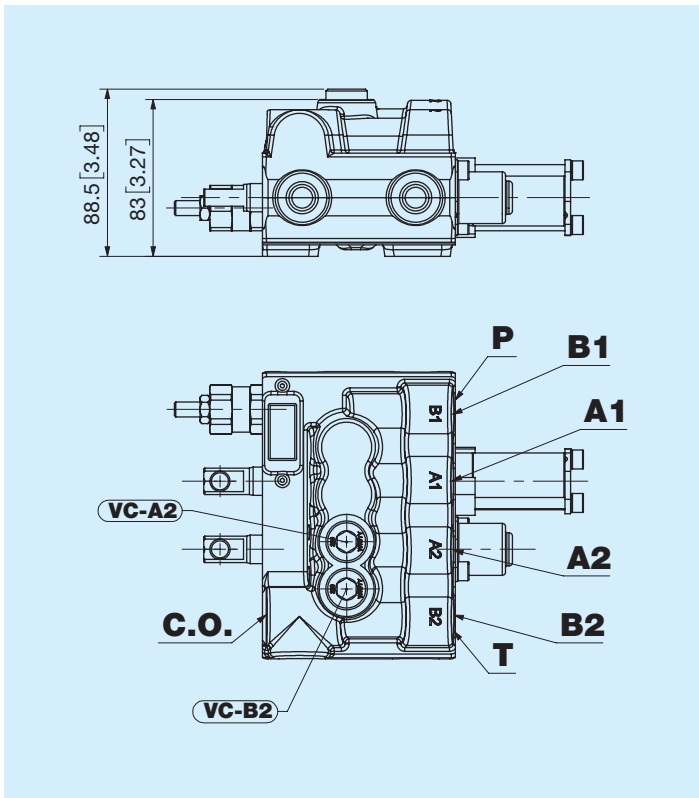


Neutral position in 0, detent in 4

LC Pressure limiter and anticavitation

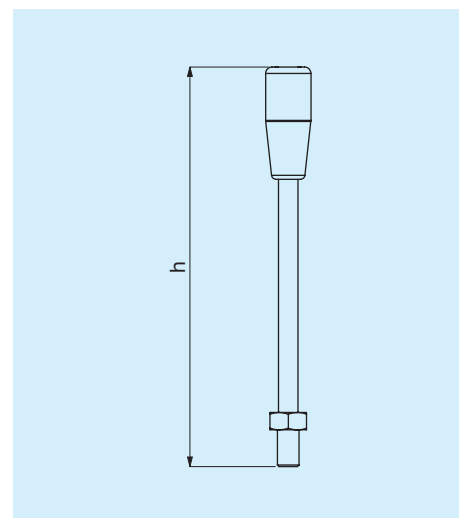


VC Anticavitation valve



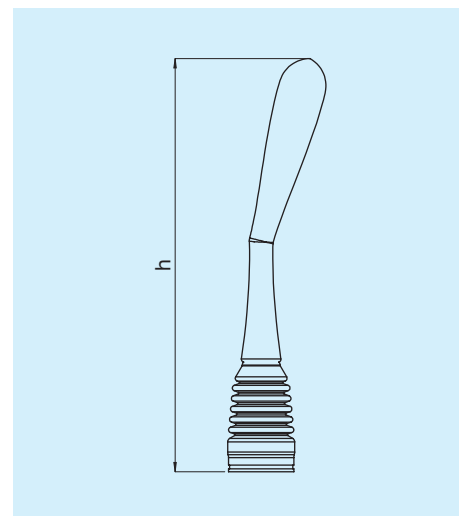
Straight standard knob

Code	Description	h [mm]	h [in]
A	Straight standard knob	109	4,3
B	Straight standard knob	134	5,28
C	Straight standard knob	184	7,24
D	Straight standard knob	214	8,42
E	Straight standard knob	254	10
F	Straight standard knob	304	11,97

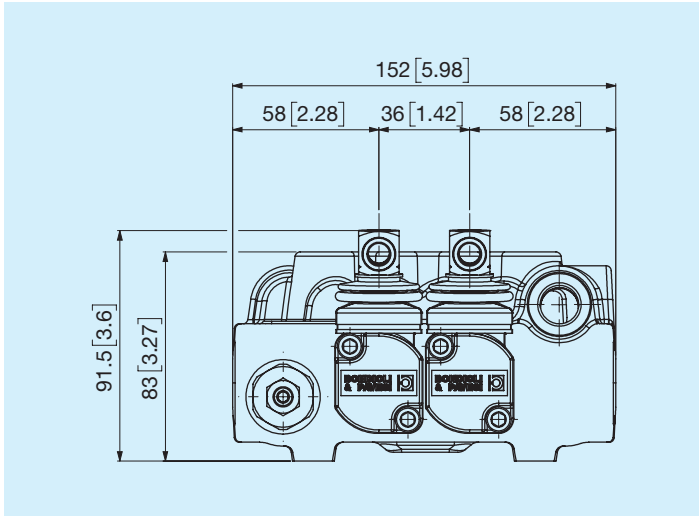


Ergonomic lever

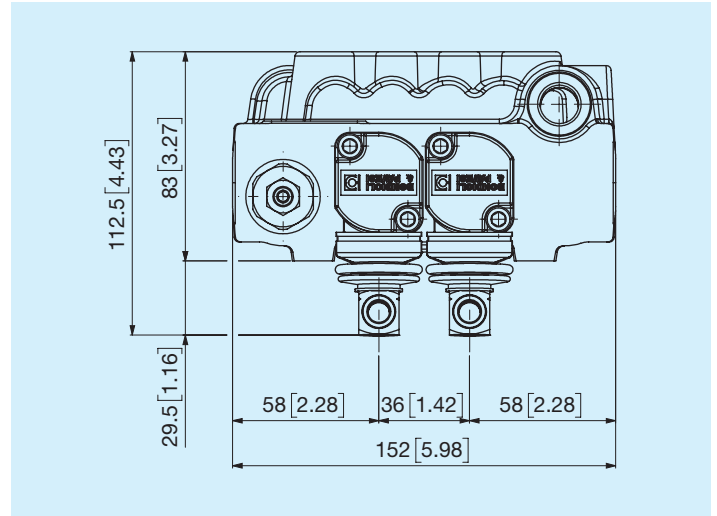
Code	Description	h [mm]	h [in]
L	Straight vertical	180	7,09
O	Bent 15° vertical	180	7,09
R	Bent 30° vertical	180	7,09
M	Straight horizontal	180	7,09
Y	Bent 15° horizontal	180	7,09
Q	Bent 30° horizontal	180	7,09



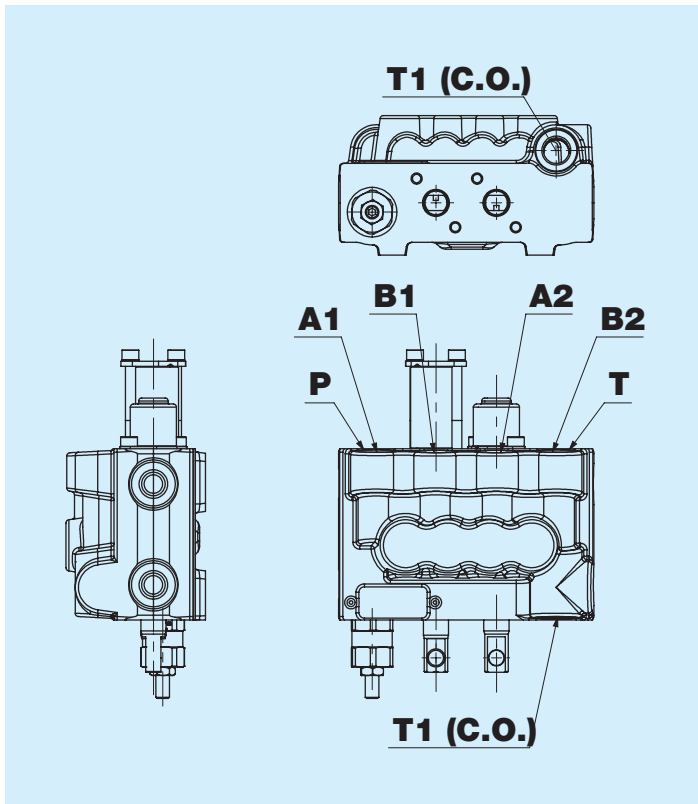
A Straight



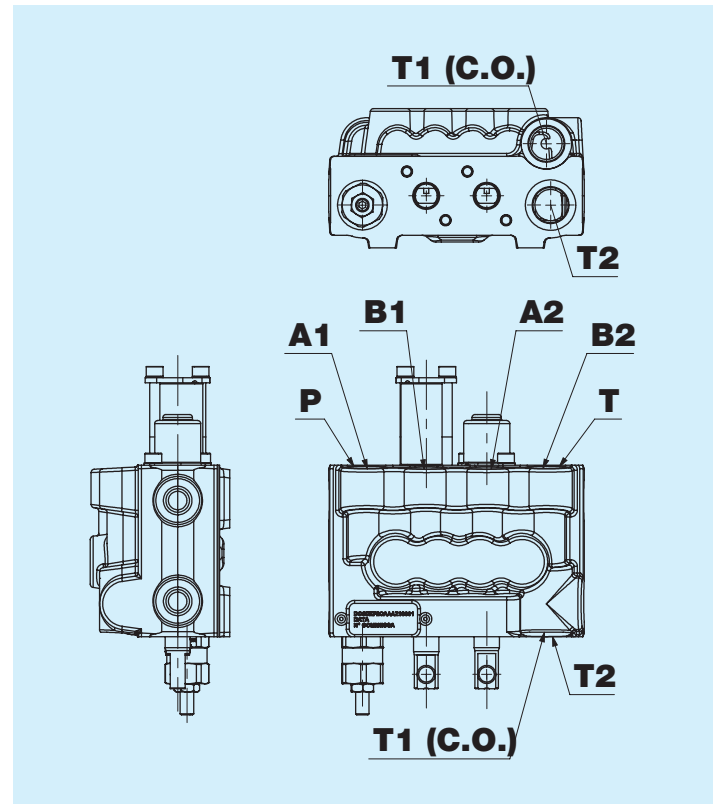
C Rotated 180°



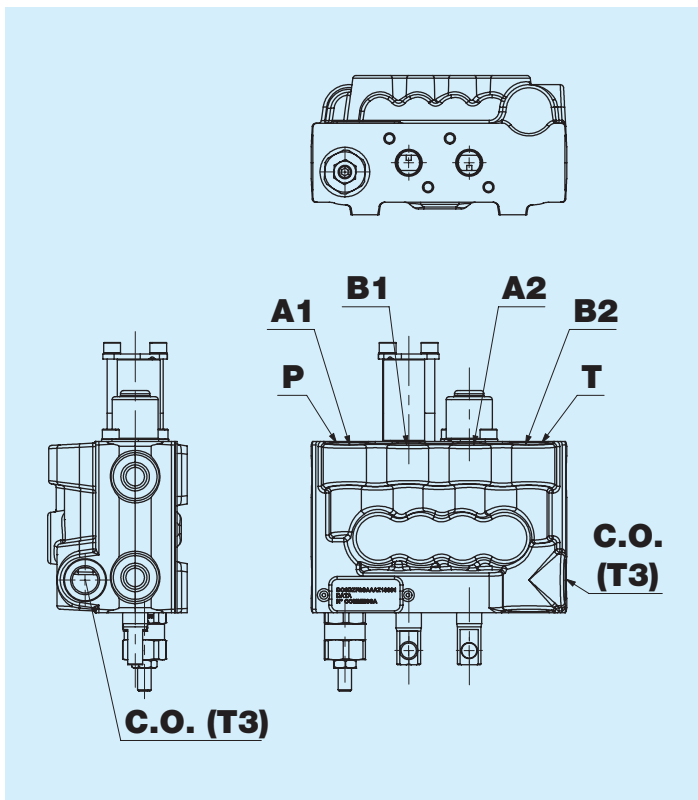
Port T1 open (standard)



Port T1 - T2



Port T3

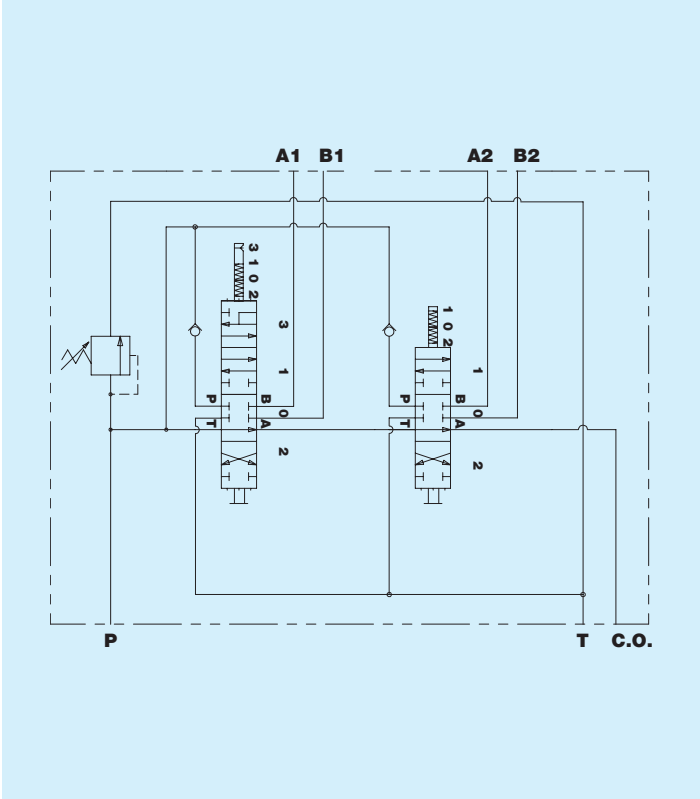
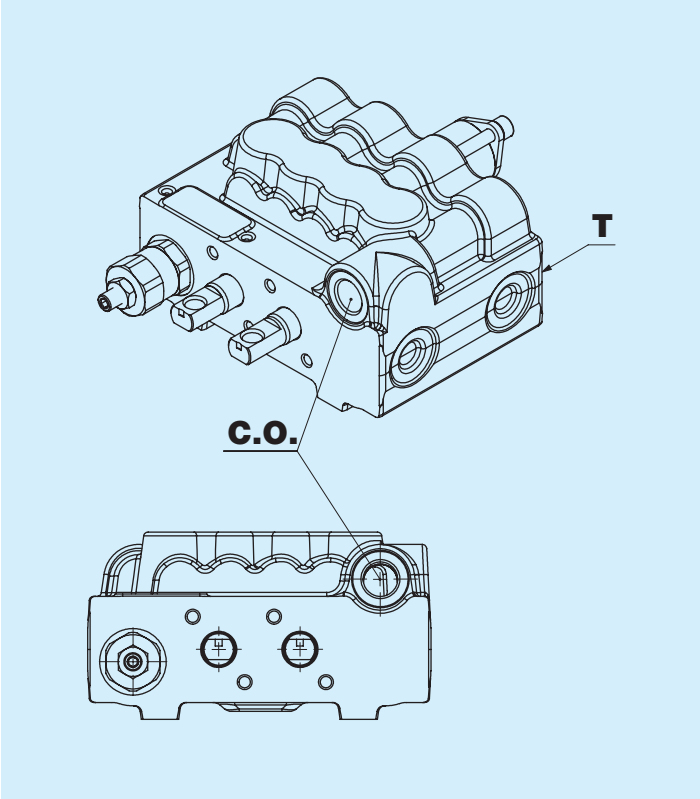


The option with port T3 is only available with the Carry Over function.

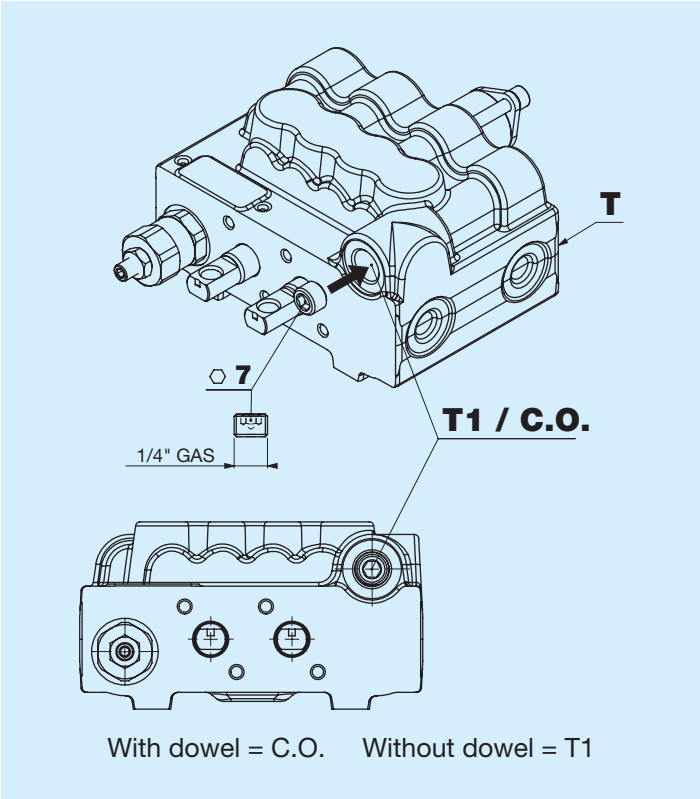
All the 'Discharge options'

- A** are only available with port T1 With Carry over
- B** Carry over option
- C** Without Carry over.

A With Carry-Over (Standard)

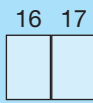
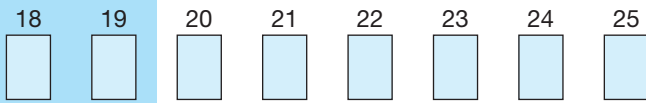


B Carry-Over option



The **B** Carry-Over option can be used to separate the T channel from the Carry-Over one by screwing a dowel into port T1, as shown in the figure.

		Repeat for each section of the valve																
		1	2	3	4	5	6	7	8	09	10	11	12	13	14	15	16	17
DN46FC		<input type="checkbox"/>	<input type="checkbox"/>	<input type="checkbox"/>	<input type="checkbox"/>	<input type="checkbox"/>	<input type="checkbox"/>	<input type="checkbox"/>	<input type="checkbox"/>	<input type="checkbox"/>	<input type="checkbox"/>	<input type="checkbox"/>	<input type="checkbox"/>	<input type="checkbox"/>	<input type="checkbox"/>	<input type="checkbox"/>	<input type="checkbox"/>	<input type="checkbox"/>
1	Number of sections																	
<input type="checkbox"/>	2 Sections																	
2	General options																	
<input type="checkbox"/>	N None	V Black paint															Z Zinc plating	
3	Thread port P																	
<input type="checkbox"/>	A 3/8" GAS ISO 1179	C M18x1.5 ISO 9974												E 3/14" - 16 SAE ISO 11926				
	B 1/2" GAS ISO 1179	N M22x1.5 ISO 9974												R 7/8" - 14 SAE ISO 11926				
4 5	Maximum pressure relief valve type																	
<input type="checkbox"/>	00 VMP replacement plug	11 110 bar											17 170 bar	23 230 bar				
	06 60 bar	12 120 bar											18 180 bar	24 240 bar				
	07 70 bar	13 130 bar											19 190 bar	25 250 bar				
	08 80 bar	14 140 bar											20 200 bar					
	09 90 bar	15 150 bar											21 210 bar					
	10 100 bar	16 160 bar											22 220 bar					
6	Sealing type maximum pressure relief valve																	
<input type="checkbox"/>	G Grub screw	C Cap												P Sealed	N None			
7	Thread ports A - B																	
<input type="checkbox"/>	A 3/8" GAS ISO 1179	C M18x1.5 ISO 9974												E 3/4" - 16 SAE ISO 11926				
8	Actuators																	
<input type="checkbox"/>	C Without lever holder, flat appendix	T Cable setting												G Joystick with spool lock				
	L Standard kit for lever holder	M Joystick																
09 10	Spool types																	
<input type="checkbox"/>	01 Spool type	07 Spool type											17 Spool type	70 Spool type				
11	Spool options																	
<input type="checkbox"/>	A Standard spool																B Nickel-plated spool	
12 13	Spool control																	
<input type="checkbox"/>	0A Neutral position in 0	NS Neutral position in 0, detent in 3												...	To select, see the relevant section			
	0T Neutral position in 0	NT Neutral position in 0, detent in 4												...				
14 15	Valve type port A																	
<input type="checkbox"/>	00 None	13 LC 130 bar											18 LC 180 bar	23 LC 230 bar				
	TP Processed and plugged	14 LC 140 bar											19 LC 190 bar	24 LC 240 bar				
	VC Anticavitation valve	15 LC 150 bar											20 LC 200 bar	25 LC 250 bar				
	11 LC 110 bar	16 LC 160 bar											21 LC 210 bar					
	12 LC 120 bar	17 LC 170 bar											22 LC 220 bar					



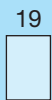
Valve type port B

00 None	13 LC 130 bar	18 LC 180 bar	23 LC 230 bar
TP Processed and plugged	14 LC 140 bar	19 LC 190 bar	24 LC 240 bar
VC Anticavitation valve	15 LC 150 bar	20 LC 200 bar	25 LC 250 bar
11 LC 110 bar	16 LC 160 bar	21 LC 210 bar	
12 LC 120 bar	17 LC 170 bar	22 LC 220 bar	



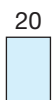
Lever options

N None	C h 184 mm / 7.24 in	L Straight vertical	Y Bent 15° horizontal
S Without lever	D h 214 mm / 8.42 in	O Bent 15° vertical	Q Bent 30° horizontal
A h 109 mm / 4.3 in	E h 254 mm / 10 in	R Bent 30° vertical	
B h 134 mm / 5.28 in	F h 304 mm / 11.97 in	M Straight horizontal	



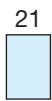
Lever holder position

A Straight	C Rotated 180°	N None
-------------------	-----------------------	---------------



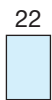
Thread port T

A 3/8" GAS ISO 1179	W M18x1.5 ISO 6149	E 3/4" - 16 SAE ISO 11926
C M18x1.5 ISO 9974	P 9/16" - 18 SAE ISO 11926	



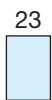
Thread port T1

0 Not processed	A 3/8" GAS ISO 1179	C M18x1.5 ISO 9974	P 9/16" - 18 SAE ISO 11926
L 1/4" GAS ISO 1179	3 M14x1.5 ISO 9974	W M18x1.5 ISO 6149	E 3/14" - 16 SAE ISO 11926



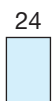
Thread port T2

0 Not processed	A 3/8" GAS ISO 1179	C M18x1.5 ISO 9974	P 9/16" - 18 SAE ISO 11926
L 1/4" GAS ISO 1179	3 M14x1.5 ISO 9974	W M18x1.5 ISO 6149	E 3/14" - 16 SAE ISO 11926



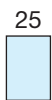
Thread port T3

0 Not processed	A 3/8" GAS ISO 1179	C M18x1.5 ISO 9974	P 9/16" - 18 SAE ISO 11926
L 1/4" GAS ISO 1179	3 M14x1.5 ISO 9974	W M18x1.5 ISO 6149	E 3/14" - 16 SAE ISO 11926



Options on port T - T1 - T2 - T3

A T - T1 open, T2 - T3 not processed (Standard)	B T - T1 - T2 open, T3 not processed	C T - T3 open, T1 and T2 not processed
--	---	---



Discharge options

A With Carry-Over (Standard)	B Carry-Over option port T1	C Without Carry-Over
-------------------------------------	------------------------------------	-----------------------------