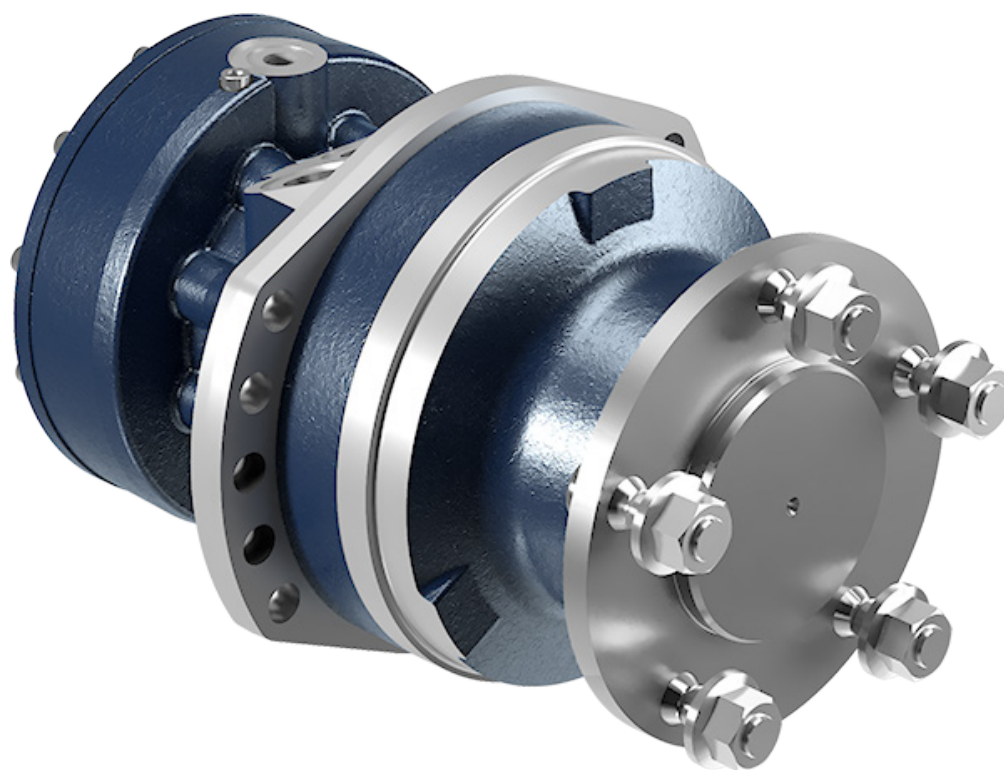
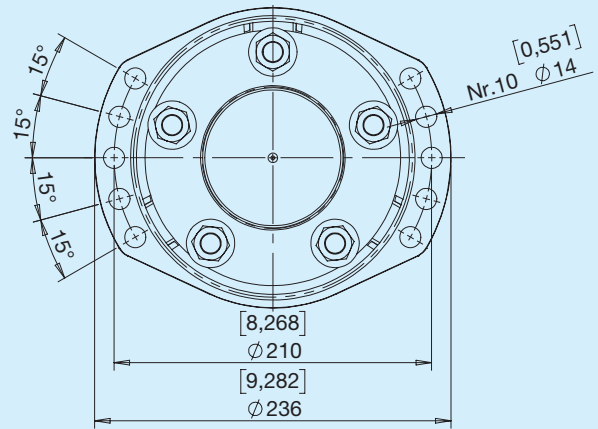
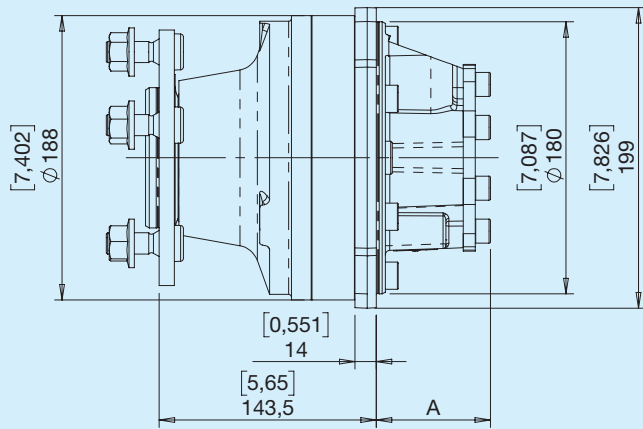


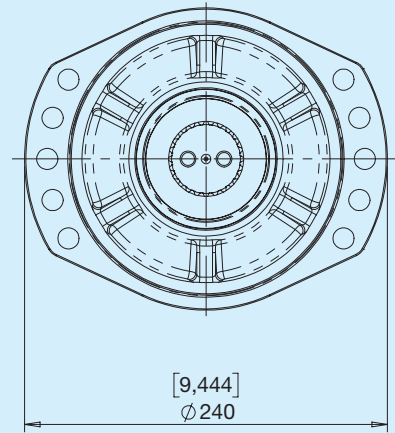
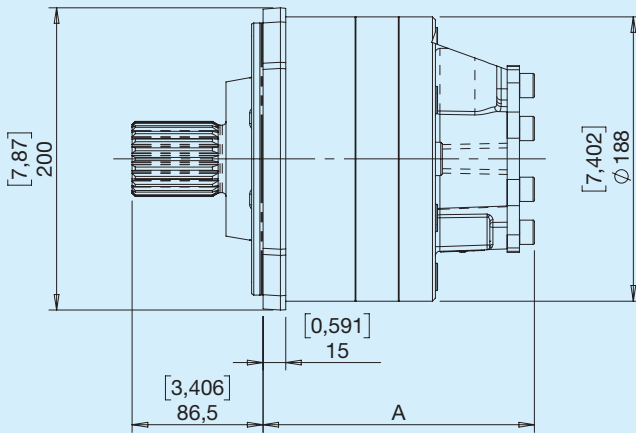
Series 2 HPR motors



Before use, carefully read the GENERAL INSTRUCTIONS FOR USE OF CLOSED CIRCUIT AXIAL PISTON PUMPS AND MOTORS.



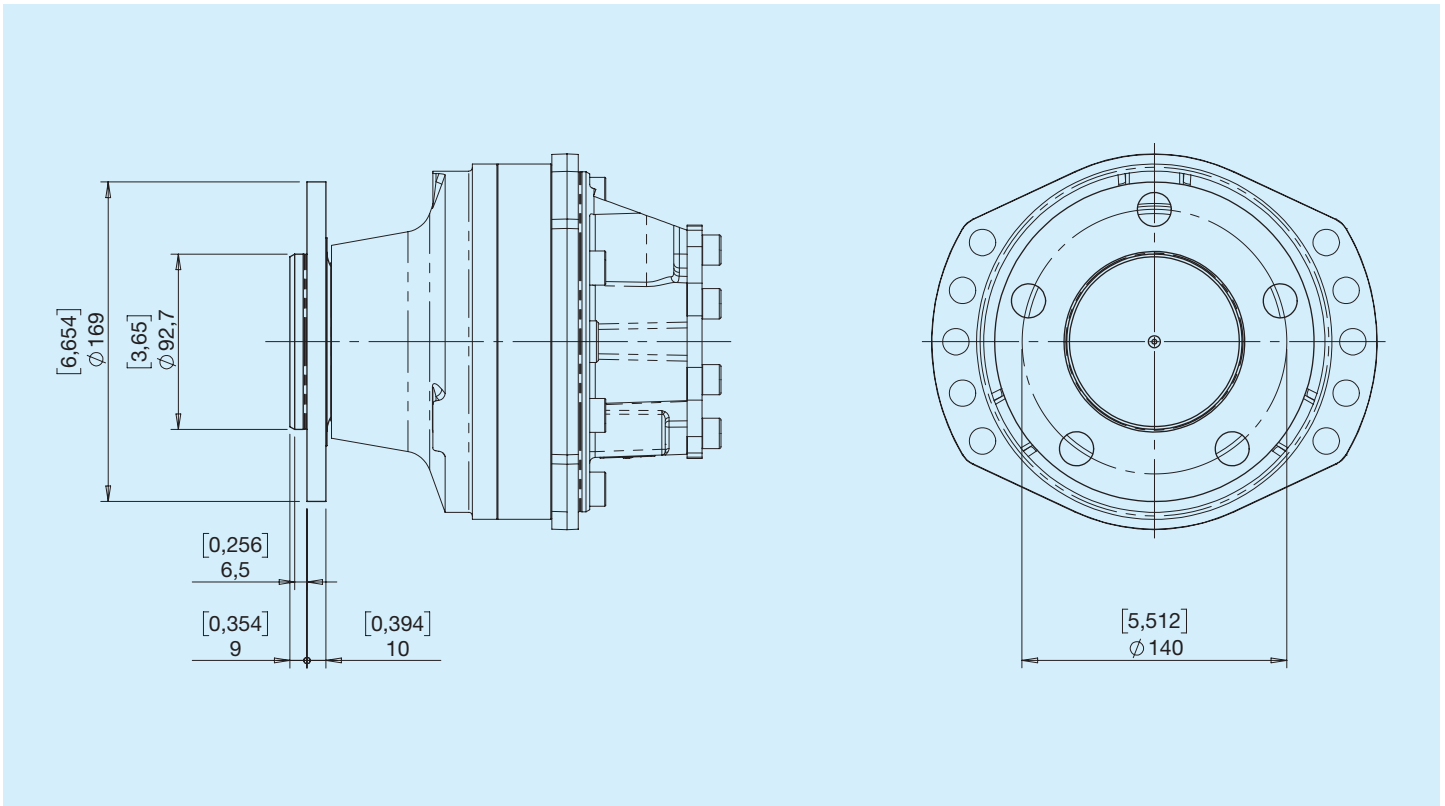
Wheel drive version



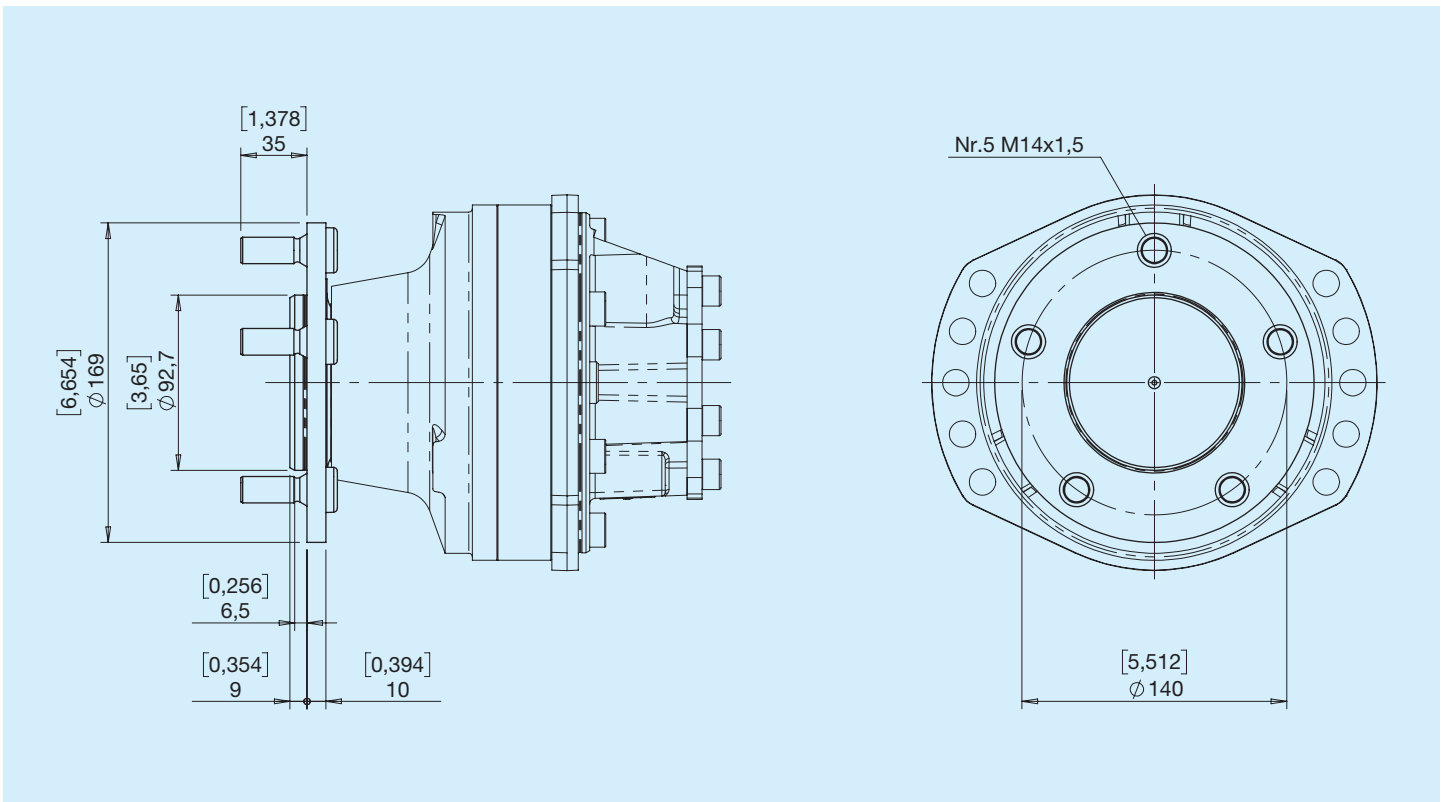
Male splined shaft version

HPR2	Nominal displacement				Rotational speed		Operating pressure		Max power		Weight	
	Fixed/ 1st speed		2nd speed		Fixed/ 1st speed	2nd speed	psi		Fissa/ 1a velocità	2nd speed	kg	lbs
	cm ³	in ³	cm ³	in ³	RPM	RPM	5800	psi	kW	kW		
210	212	12.94	106	6.47	470	470	5510	6525	18	12	33	73
230	235	14.34	118	7.20	435	435	450	6525	18	12	33	73
260	260	15.87	130	7.93	390	390	450	6525	18	12	33	73
330	332	20.26	166	10.13	265	336	400	5800	22	16	33	73
360	366	22.33	183	11.17	245	311	400	5800	22	16	33	73
400	402	24.53	201	12.27	220	279	400	5800	22	16	33	73

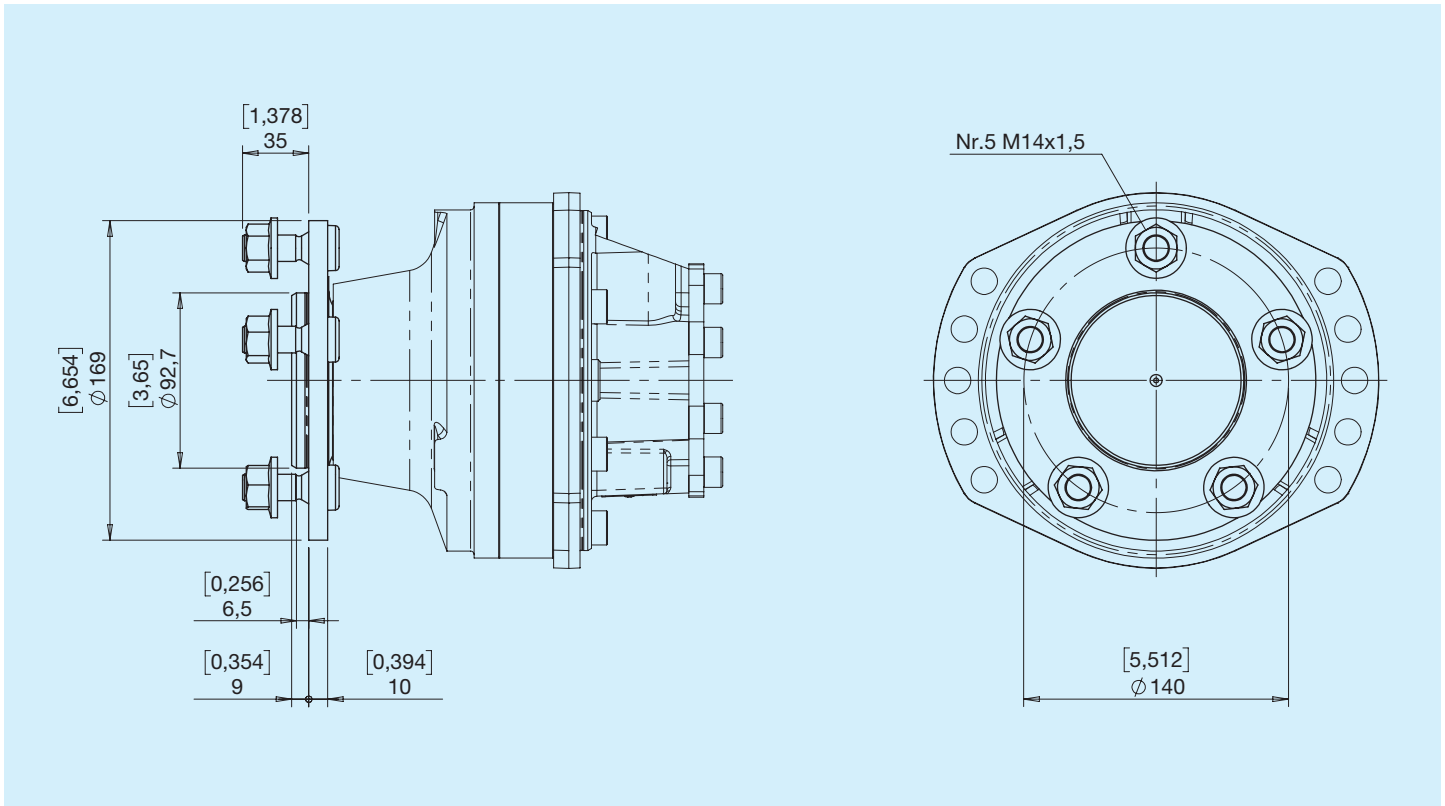
R Rear (wheel)



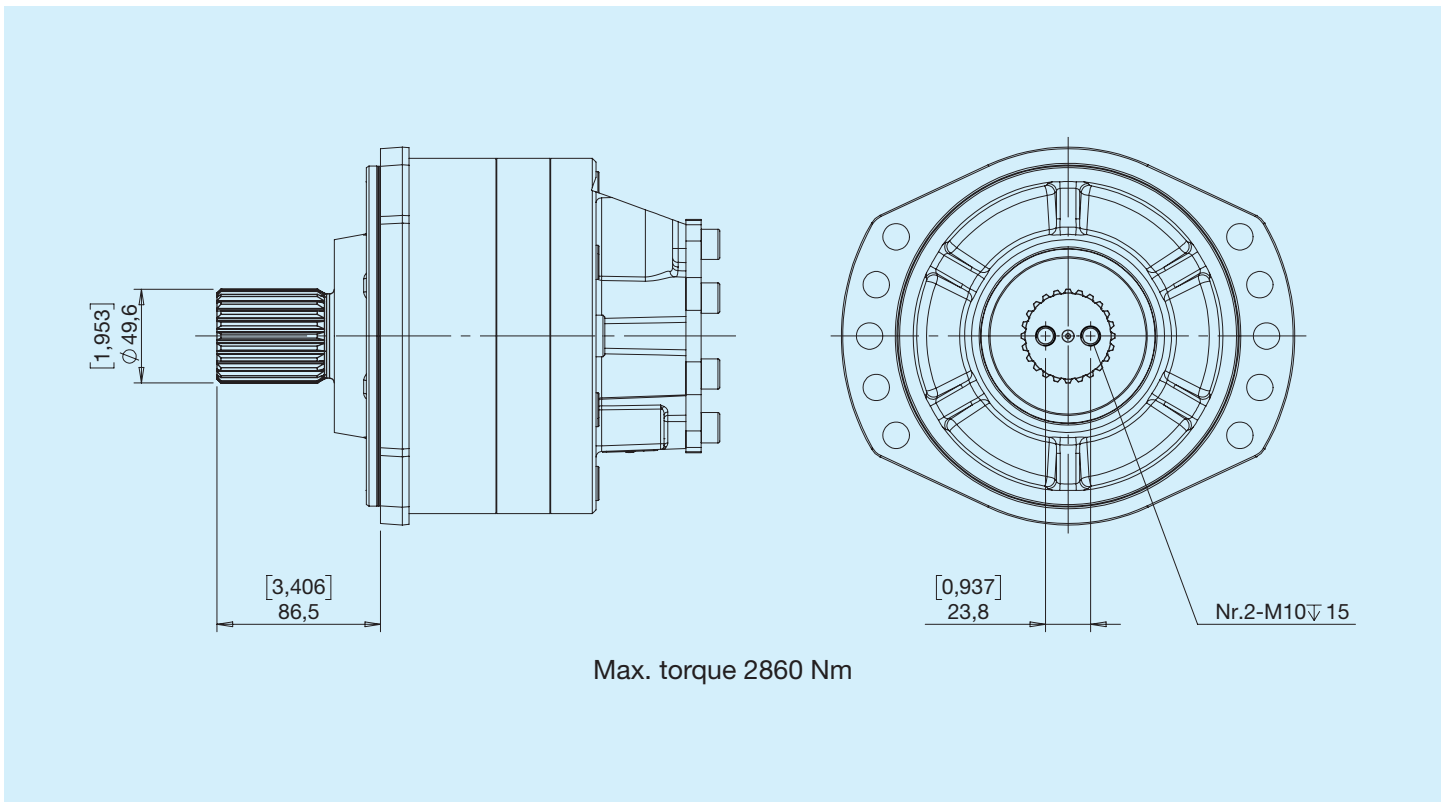
1 Rear (wheel with screws)



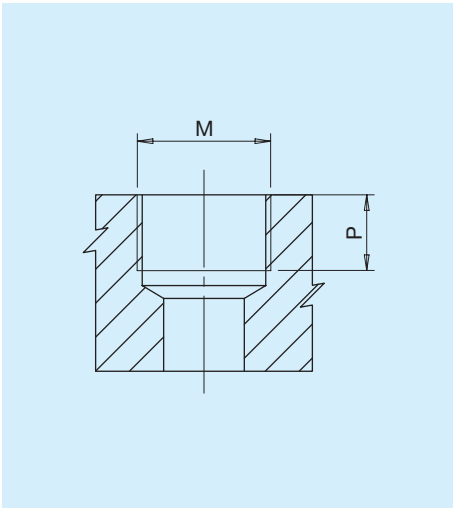
2 Rear (wheel with screws+nuts)



E Shaft DIN 5480 W50x2x30x24

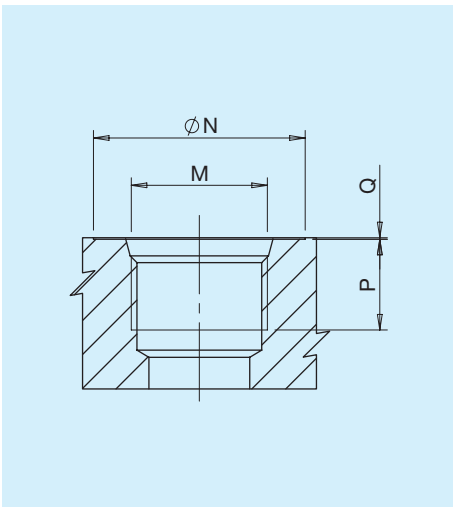


Type G



Type	M		P	
		Nm	mm	in
G2	Port ISO 1179-1 - G 1/4	17	15	0.59
G3	Port ISO 1179-1 - G 3/8	38	12.5	0.49
G4	Port ISO 1179-1 - G 1/2	70	15	0.59

Type U

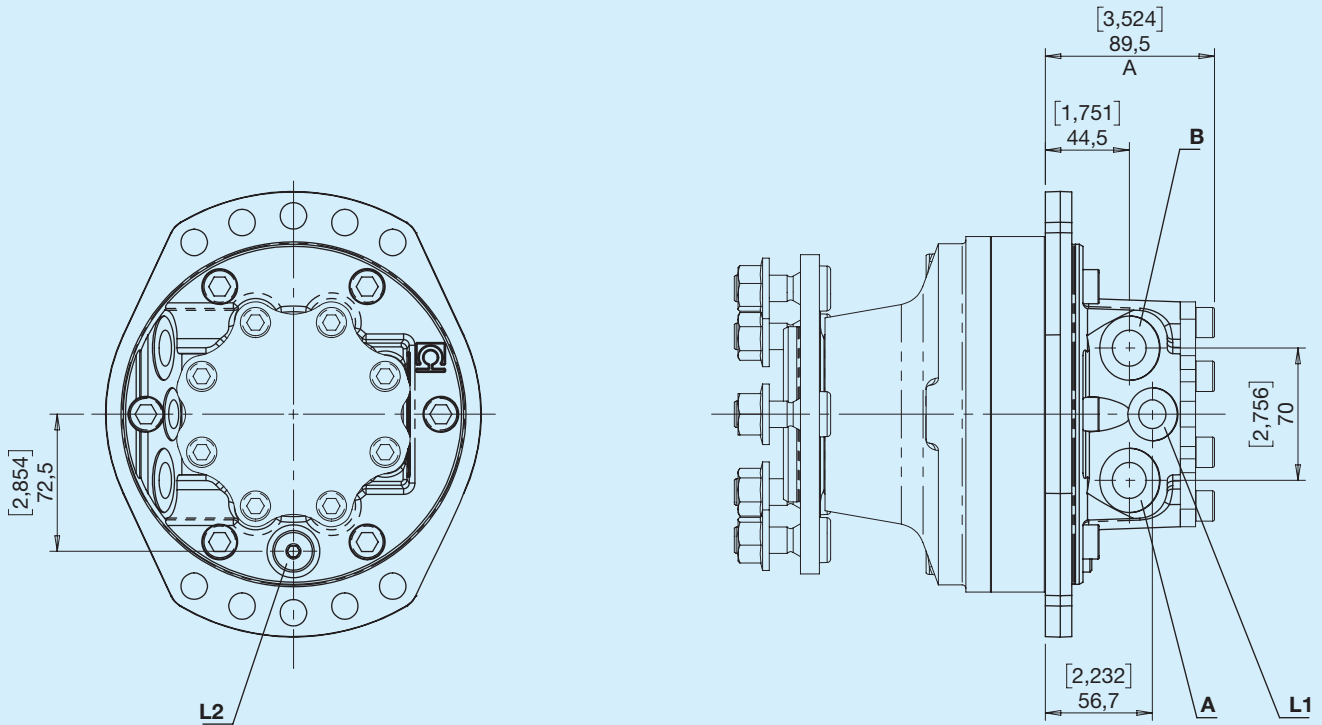


Type	Dim.	N		P		Q		M	Nm
		mm	in	mm	in	mm	in		
U2	1/4"	21	0.83	12	0.47	0.3	0.01	Port ISO 11926-1 - 7/16-20	17
U3	3/8"	26	1.02	15	0.59	0.3	0.01	Port ISO 11926-1 - 9/16-18	38
U4	1/2"	30	1.18	15	0.59	0.3	0.01	Port ISO 11926-1 - 3/4-16	47

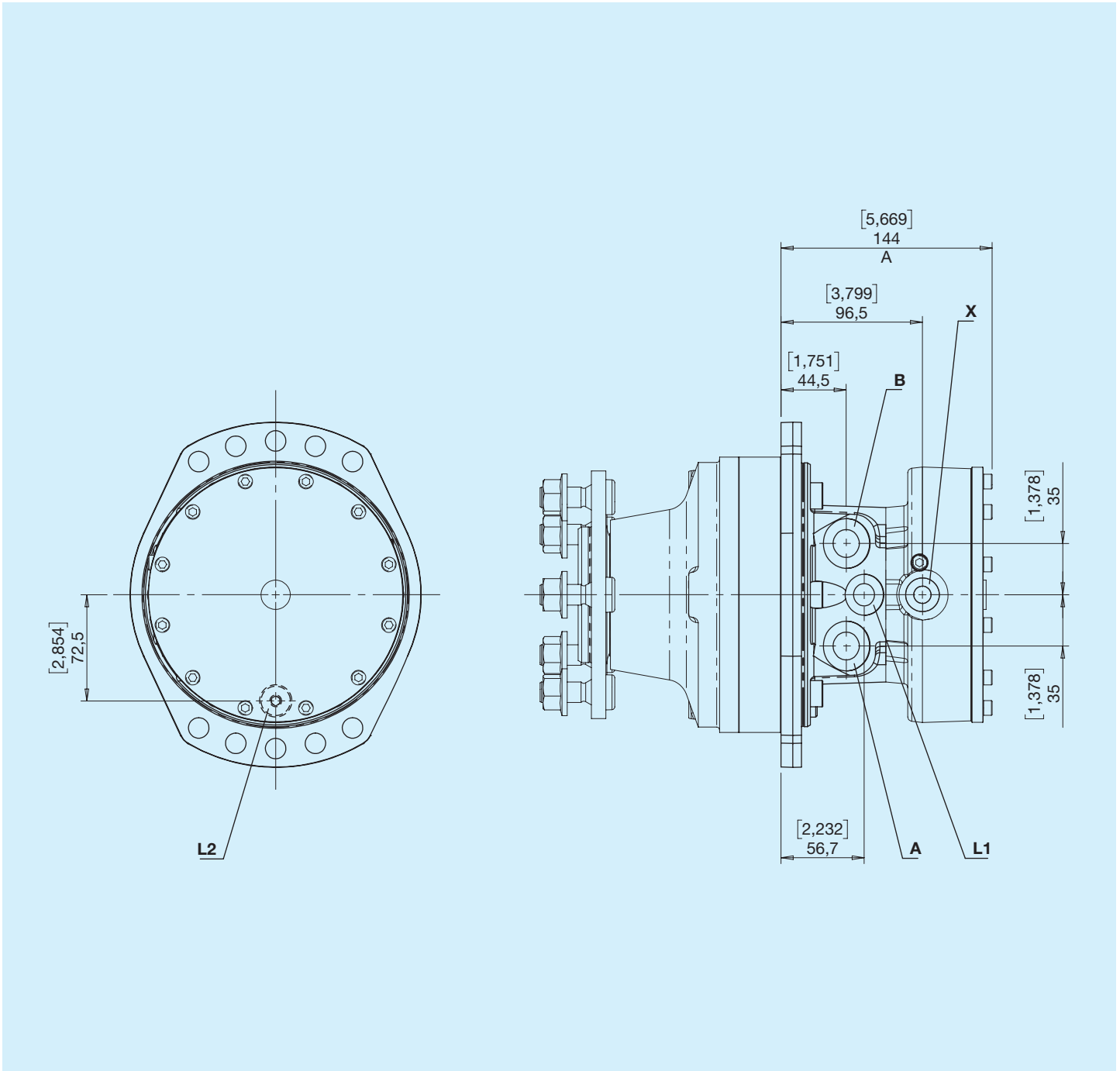
Combinations

Type	Input/Output A-B	Drain port L1-L2	Displacement change Y	Brake release X
G	G6	G3	G6	G2
U	U6	U3	U6	U2

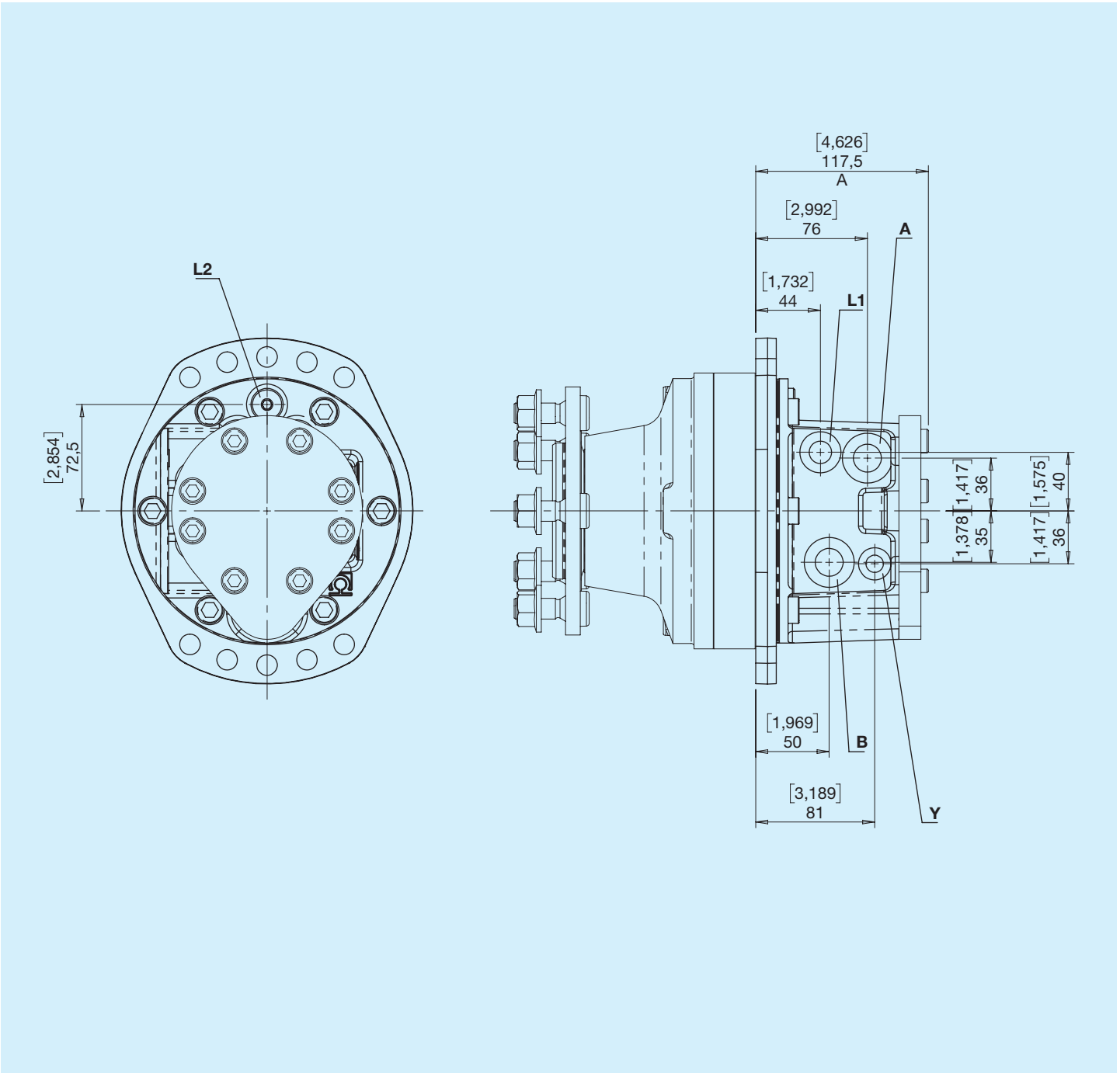
FC Fixed without Brake



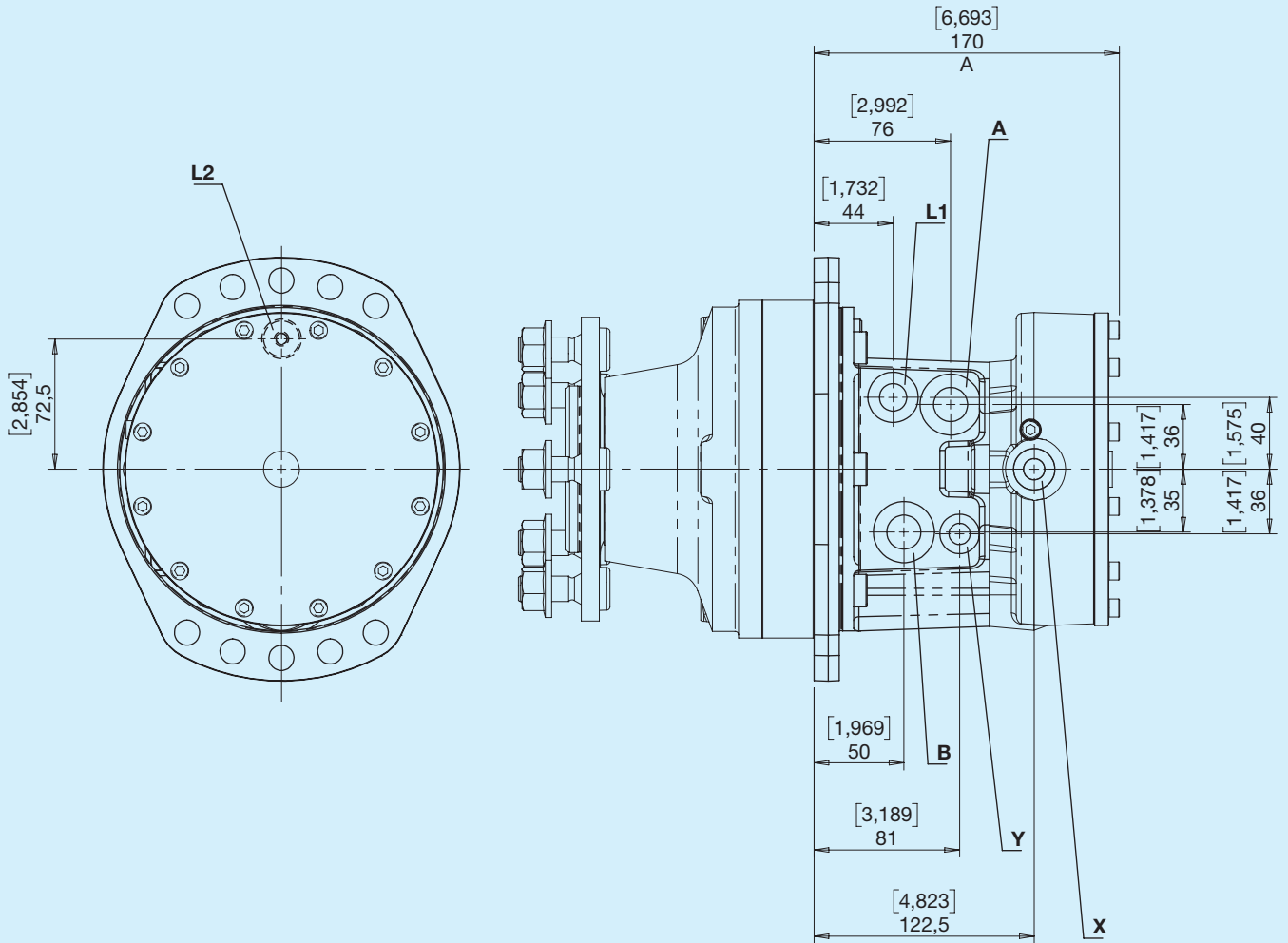
FF Fixed with Brake



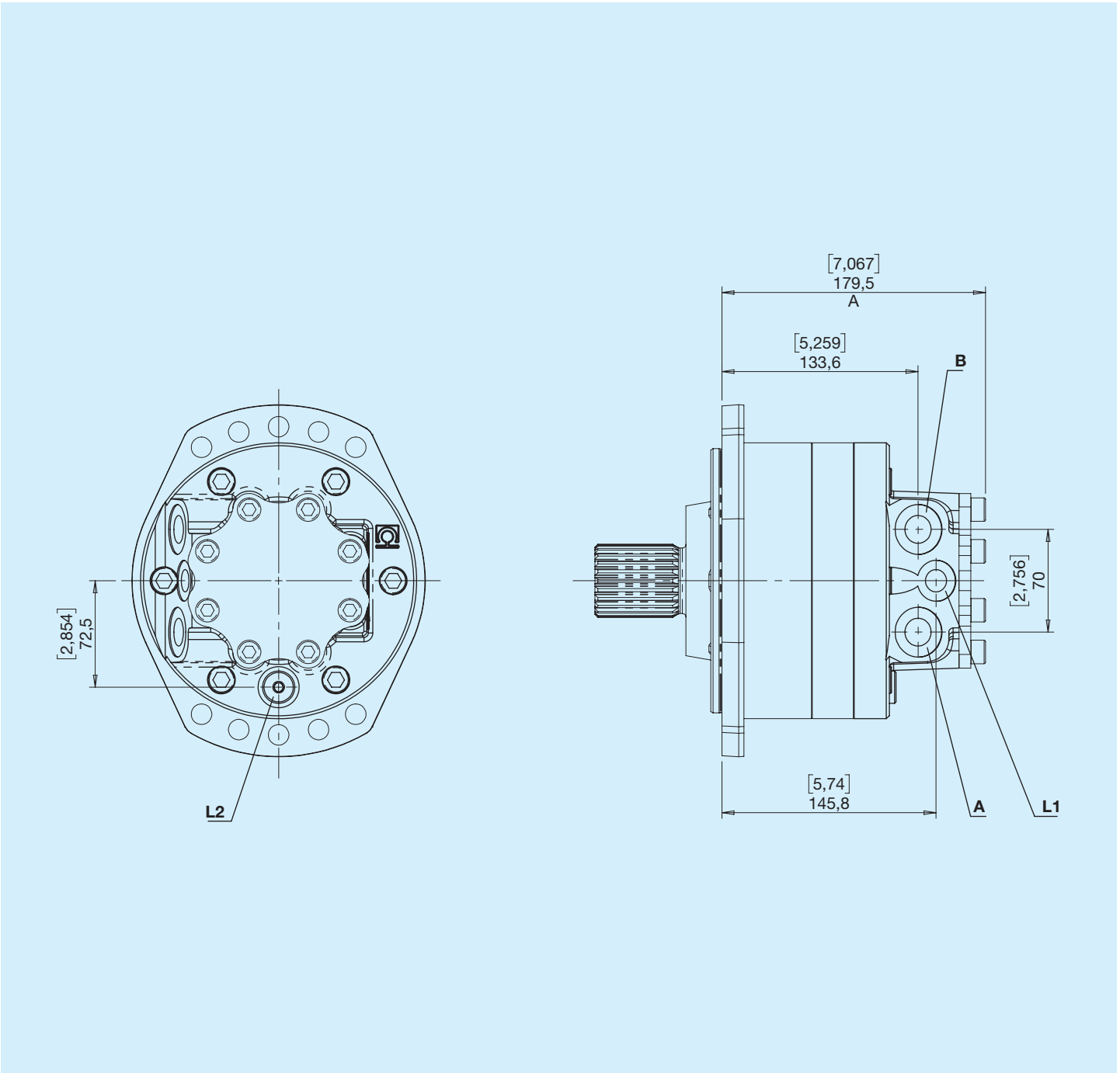
VC 2 Speeds without Brake



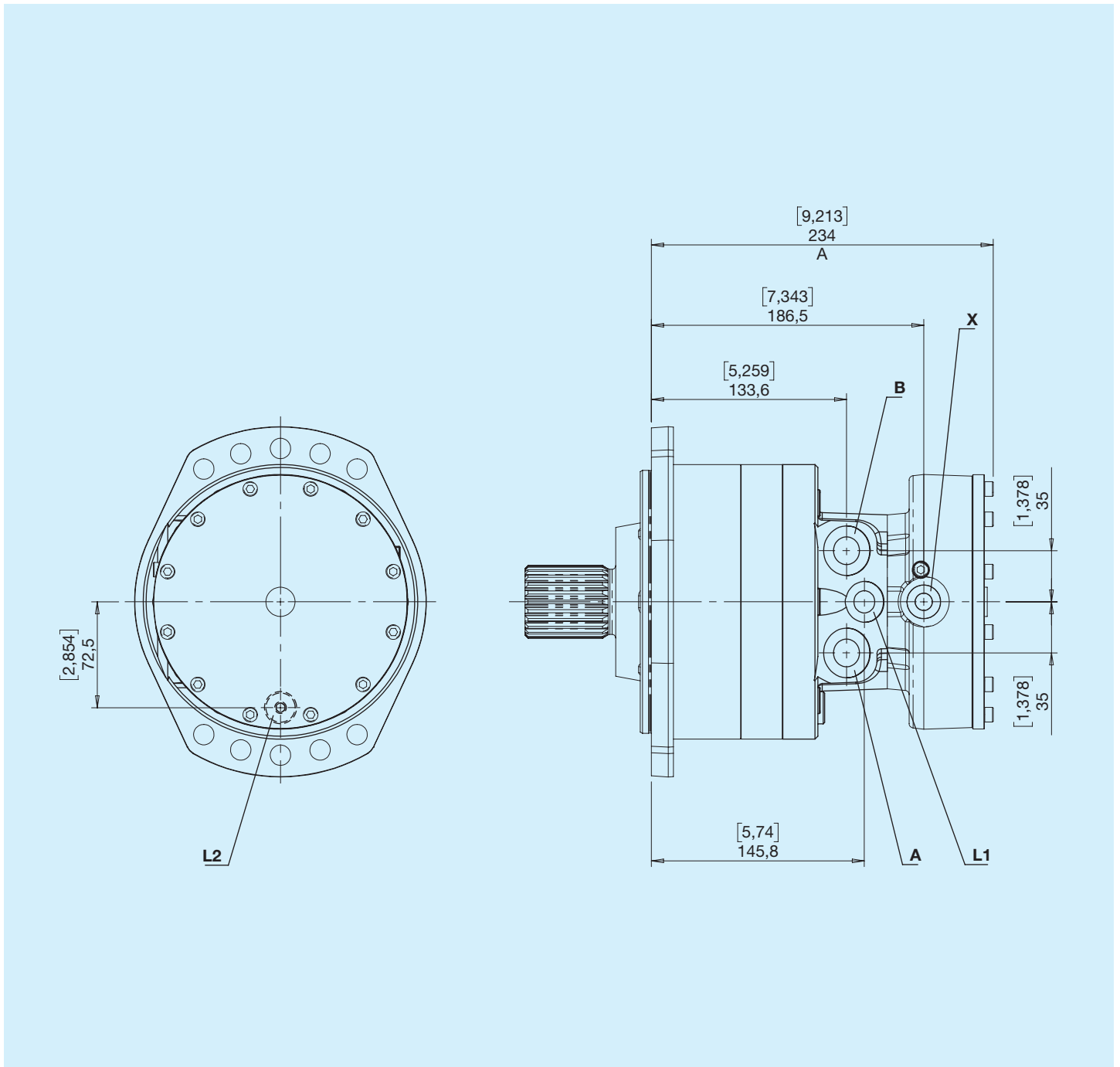
VF 2 Speeds with Brake



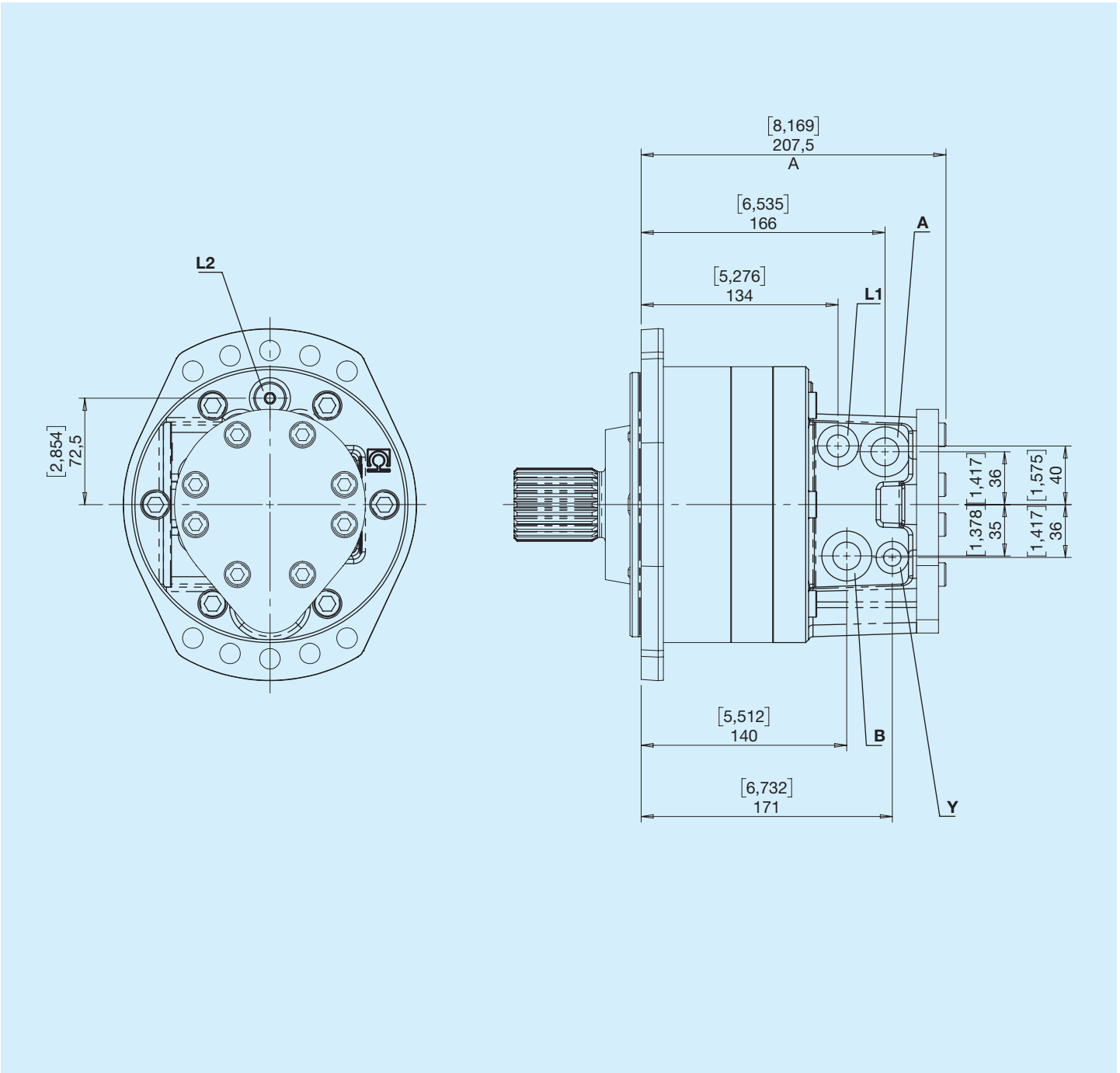
AC Fixed without Brake



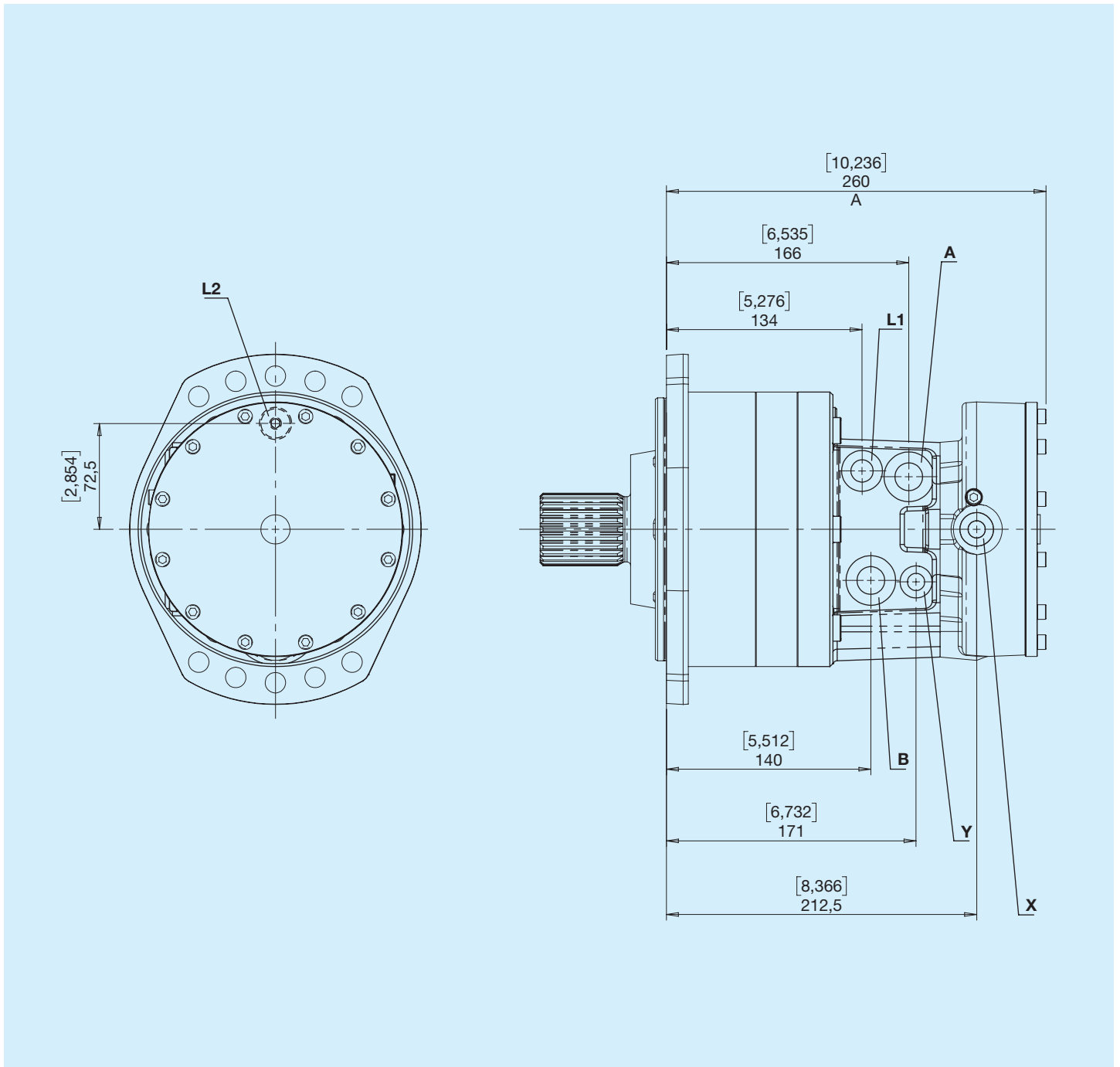
AF Fixed with Brake



WC 2 Speeds without Brake



WF 2 Speeds with Brake



HPR	1	2 3	4 5 6	7	8	9	10	11 12 13
1	Series							
2	2							
2 3	Type - Direction of rotation							
	FB Fixed - Bidirectional	VR Variable - Right	VL Variable - Left					
4 5 6	Displacement							
	210	260	360					
	230	330	400					
7	Flanges/Shafts							
	R Rear (wheel)	1 Rear (wheel with screws)	2 Rear (wheel with screws+nuts)	E Shaft DIN 5480 W50x2x30x24				
8	Brake release							
	F With Brake	C Without Brake						
9	Type of ports							
	G Gas	U Unf						
10	Accessories							
	0 No option	C Painting	V Flushing valve	S Speed sensor				
11 12 13	Special versions							
	...							