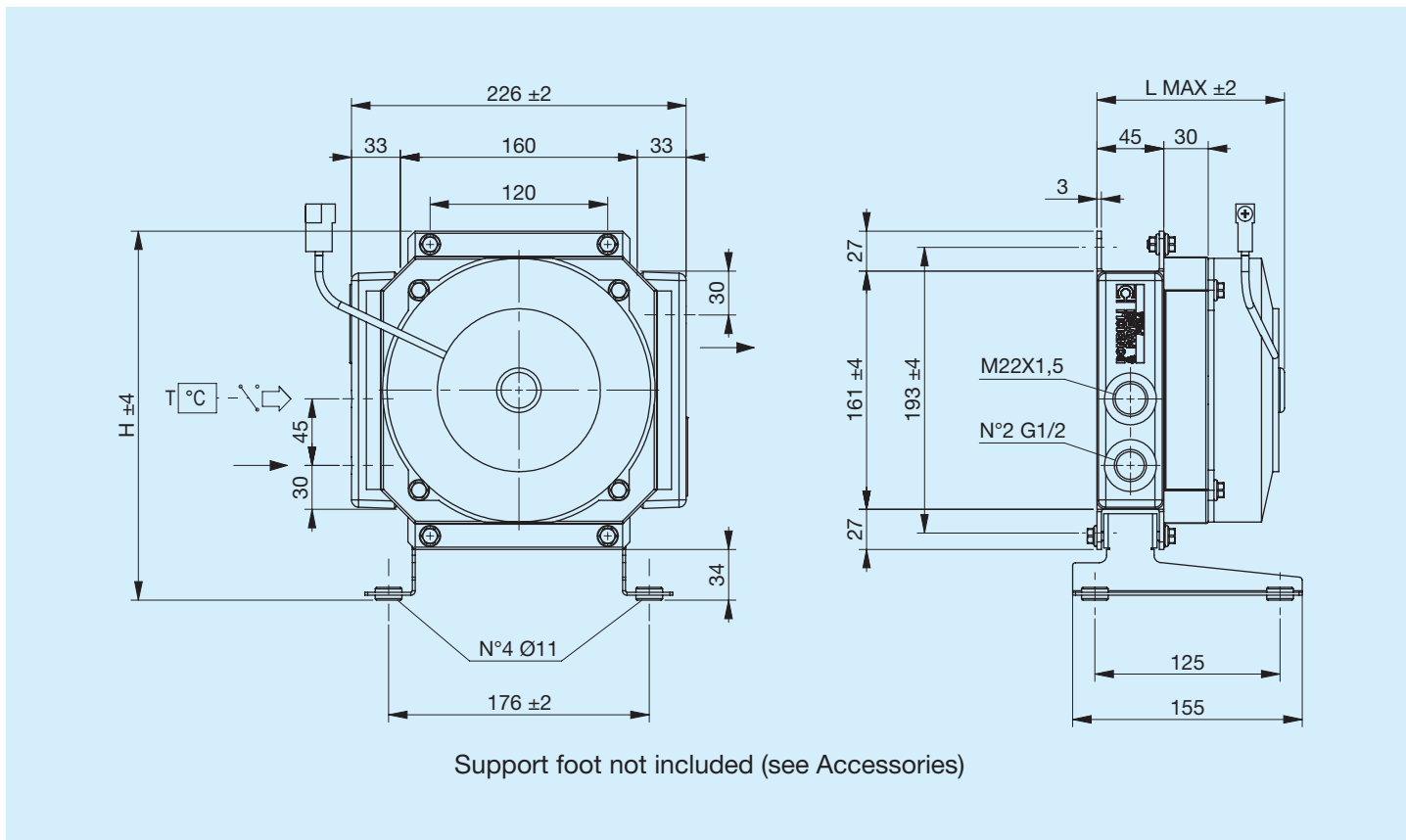


# A10

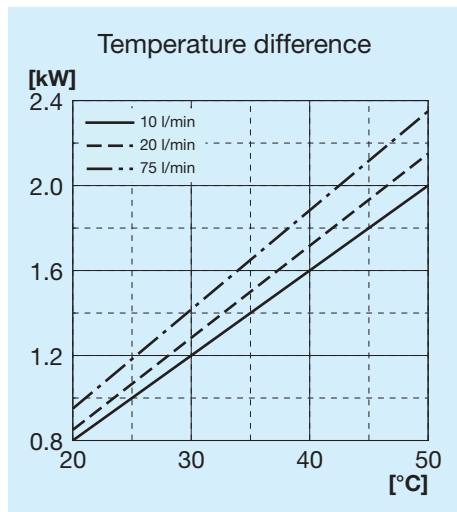


Before using the heat exchanger, carefully read the document entitled GENERAL INSTRUCTIONS FOR HEAT EXCHANGER USE.

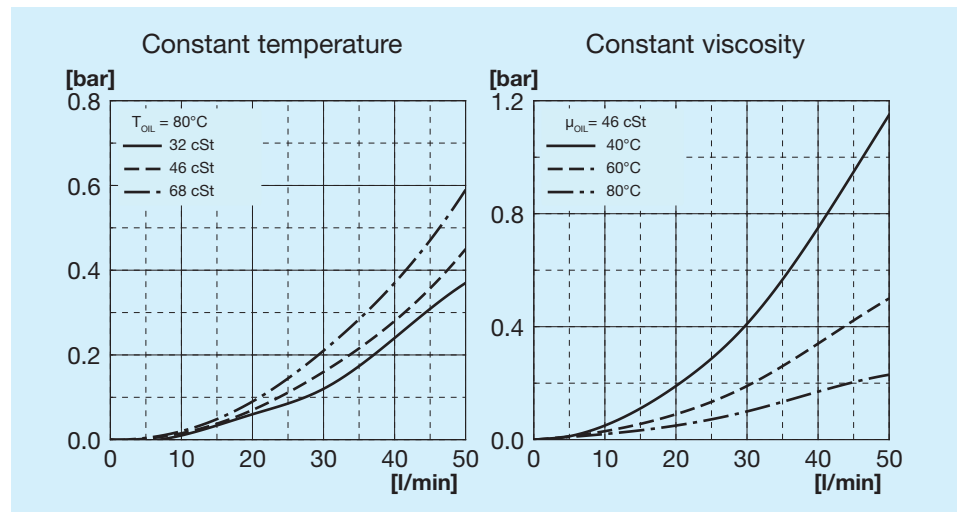


Code	Description	Ø Fan mm	Air flow rate l	Voltage V	Current A	L Max mm	H mm	Weight Kg	Capacity l
FR633010001	A10 1EA 12V	167	550	12	6.3	130	248	2.6	0.7
FR633010002	A10 1ES 12V	167	550	12	6.3	130	248	2.6	0.7
FR633010013	A10 1EA 24V	167	550	24	3.2	130	248	2.6	0.7
FR633010014	A10 1ES 24V	167	550	24	3.2	130	248	2.6	0.7

Heat exchange (thermal) capacity



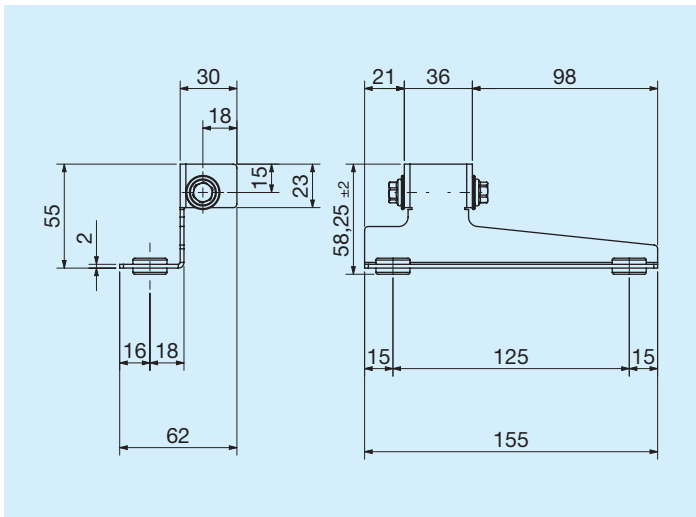
Radiator passage pressure drop



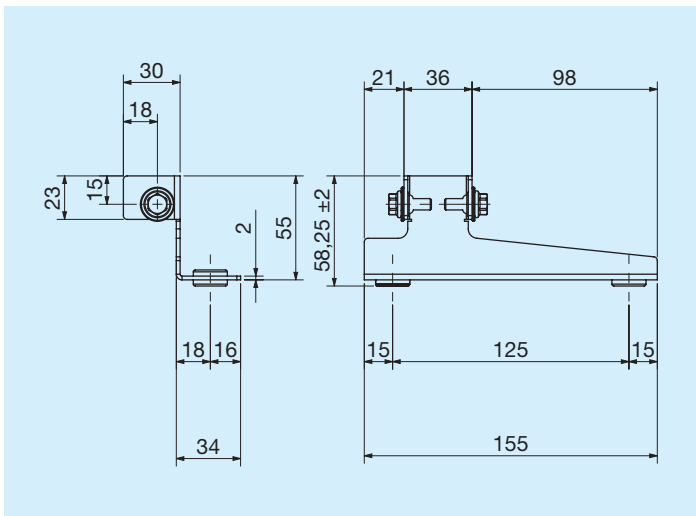
**Legend**

<b>A10</b>	Exchanger type
<b>1E</b>	1 Fan unit
<b>A</b>	Aspirating
<b>S</b>	Blowing
<b>AP</b>	High power aspirating
<b>SP</b>	High power blower
<b>AX</b>	Extra high power aspirating
<b>SX</b>	Extra high power blower
<b>12V</b>	Fan unit voltage
<b>24V</b>	Fan unit voltage
<b>T15 VT</b>	Thermostatic bypass valve 3 bar 60°C
<b>T15 VNR</b>	Pressure bypass valve at 4.5 bar

## Left supporting foot

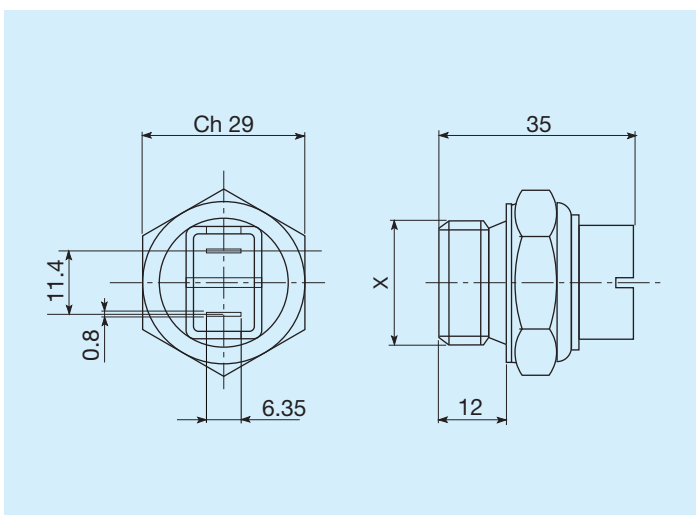


Code	
Left supporting foot	FR290000019R



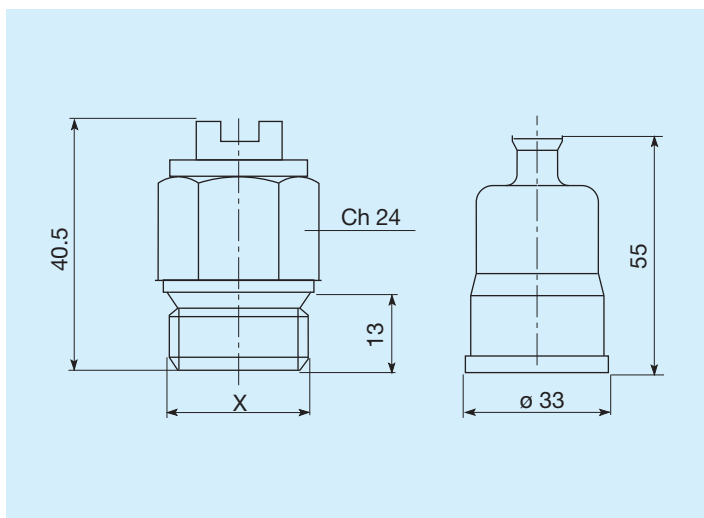
Code	
Right supporting foot	FR290000020R

## Thermostats



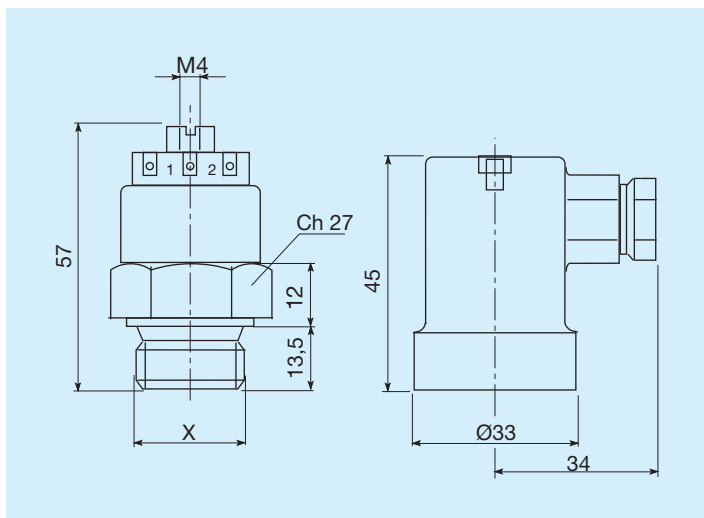
Trigger temperature C°	Threading	Code
45 - 35	M22x1.5	FR361104535R
60 - 50	M22x1.5	FR361106050R
80 - 70	M22x1.5	FR361108070R
82 - 68	M22x1.5	FR361108268R
85 - 76	M22x1.5	FR361108576R

## IP54 protected thermal switch



Trigger temperature C°	Threading	Code
45 - 35	M22x1.5	FR361124535R
50 - 40	M22x1.5	FR361125040R
60 - 50	M22x1.5	FR361126050R
70 - 60	M22x1.5	FR361127060R
80 - 70	M22x1.5	FR361128070R

## IP65 protected thermal switch



Trigger temperature C°	Threading	Code
45 - 35	M22x1.5	FR361154535R
47 - 36	M22x1.5	FR361155040R
60 - 50	M22x1.5	FR361156050R
80 - 70	M22x1.5	FR361158070R