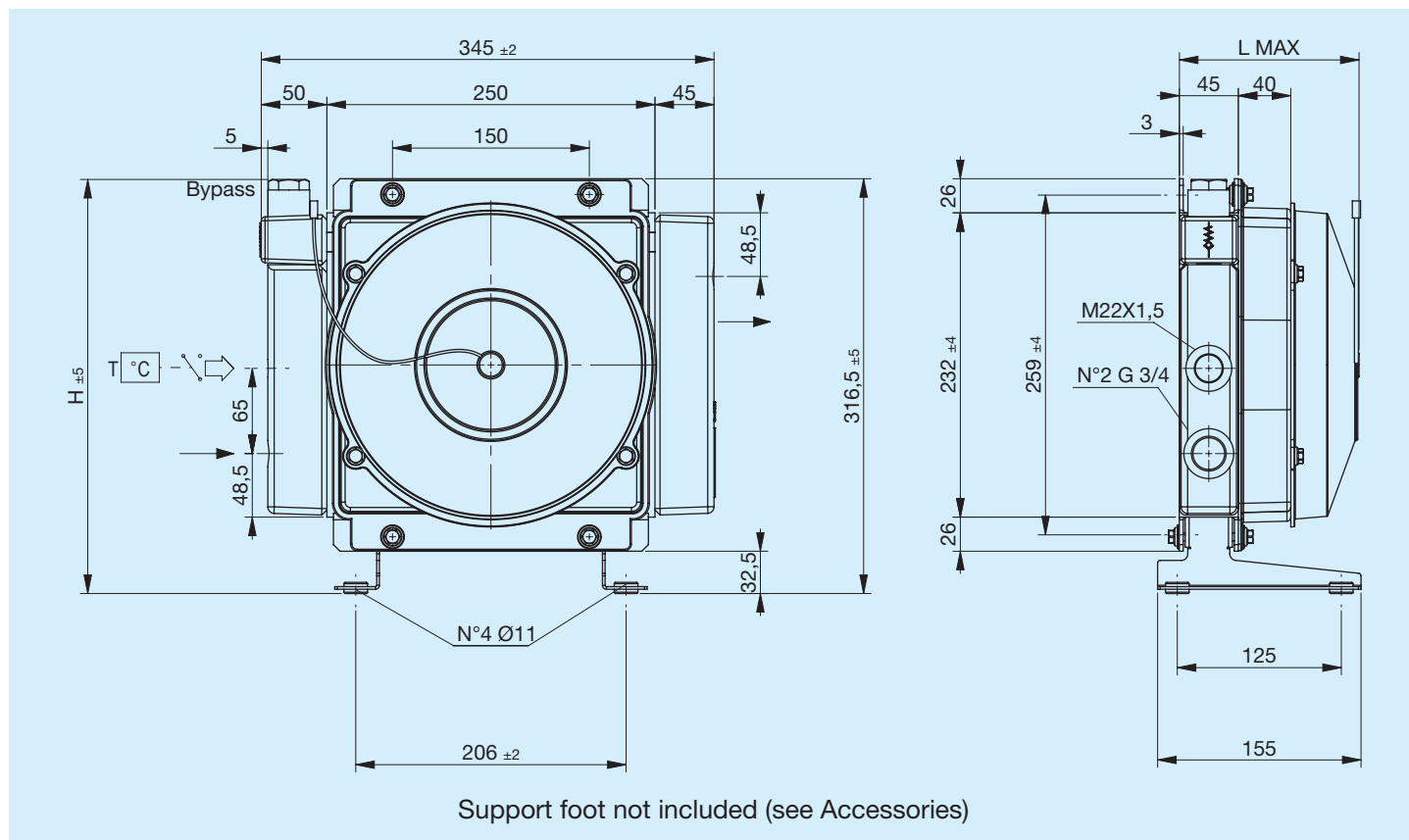


## **A20**



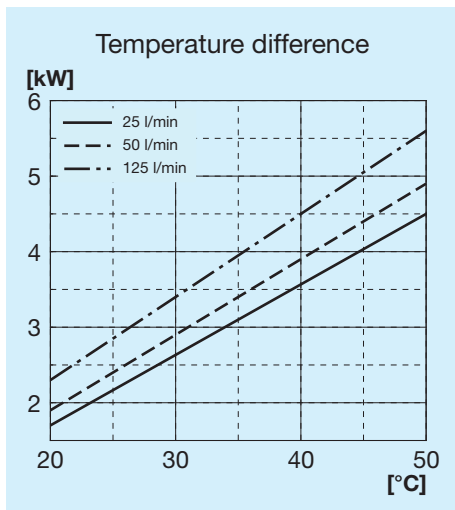
Before using the heat exchanger, carefully read the document entitled GENERAL INSTRUCTIONS FOR HEAT EXCHANGER USE.



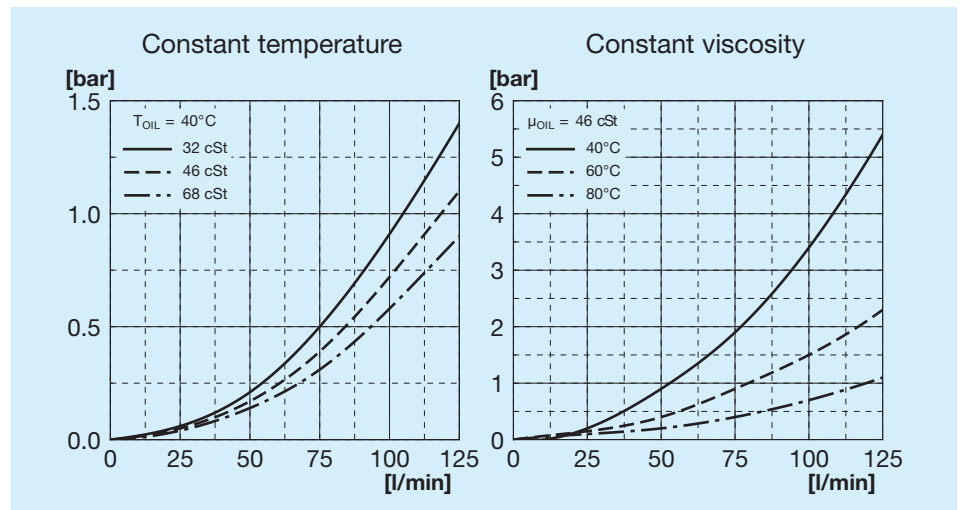
Support foot not included (see Accessories)

Code	Description	Ø Fan mm	Air flow rate m³/h	Voltage V	Current A	L Max mm	H mm	Weight Kg	Capacity l
FR633030003	A20 1EAP 12V	225	920	12	7.4	140	317.5	4.7	1.45
FR633030004	A20 1ESP 12V	225	1070	12	8.4	140	317.5	4.7	1.45
FR633030013	A20 1EAP 24V	225	980	24	4.1	140	317.5	4.7	1.45
FR633030014	A20 1ESP 24V	225	1100	24	4.3	140	317.5	4.7	1.45
FR633033103	A20 1EAP 12V bypass T15 V.T. 3 bar 60°C	225	920	12	7.4	140	317.5	4.7	1.45
FR633033104	A20 1ESP 12V bypass T15 V.T. 3 bar 60°C	225	1070	12	8.4	140	317.5	4.7	1.45
FR633031005	A20 1EAP 12V bypass T15 VNR 4.5 bar	225	920	12	7.4	140	301.5	4.7	1.45
FR633031004	A20 1ESP 12V bypass T15 VNR 4.5 bar	225	1070	12	8.4	140	301.5	4.7	1.45
FR633033113	A20 1EAP 24V bypass T15 V.T. 3 bar 60°C	225	980	24	4.1	140	317.5	4.7	1.45
FR633033114	A20 1ESP 24V bypass T15 V.T. 3 bar 60°C	225	1100	24	4.3	140	317.5	4.7	1.45
FR633031015	A20 1EAP 24V bypass T15 VNR 4.5 bar	225	980	24	4.1	140	301.5	4.7	1.45
FR633031014	A20 1ESP 24V bypass T15 VNR 4.5 bar	225	1100	24	4.3	140	301.5	4.7	1.45

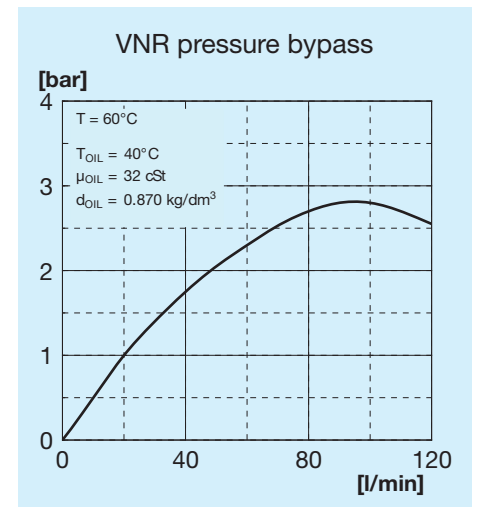
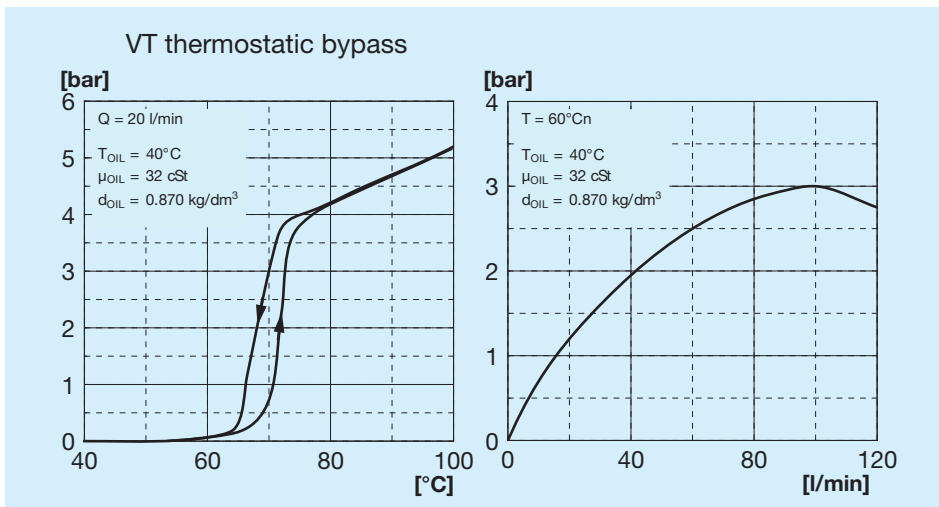
## Heat exchange (thermal) capacity



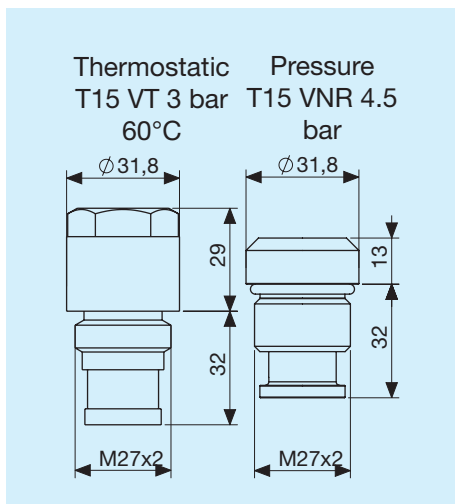
## Radiator passage pressure drop



## Bypass passage load loss

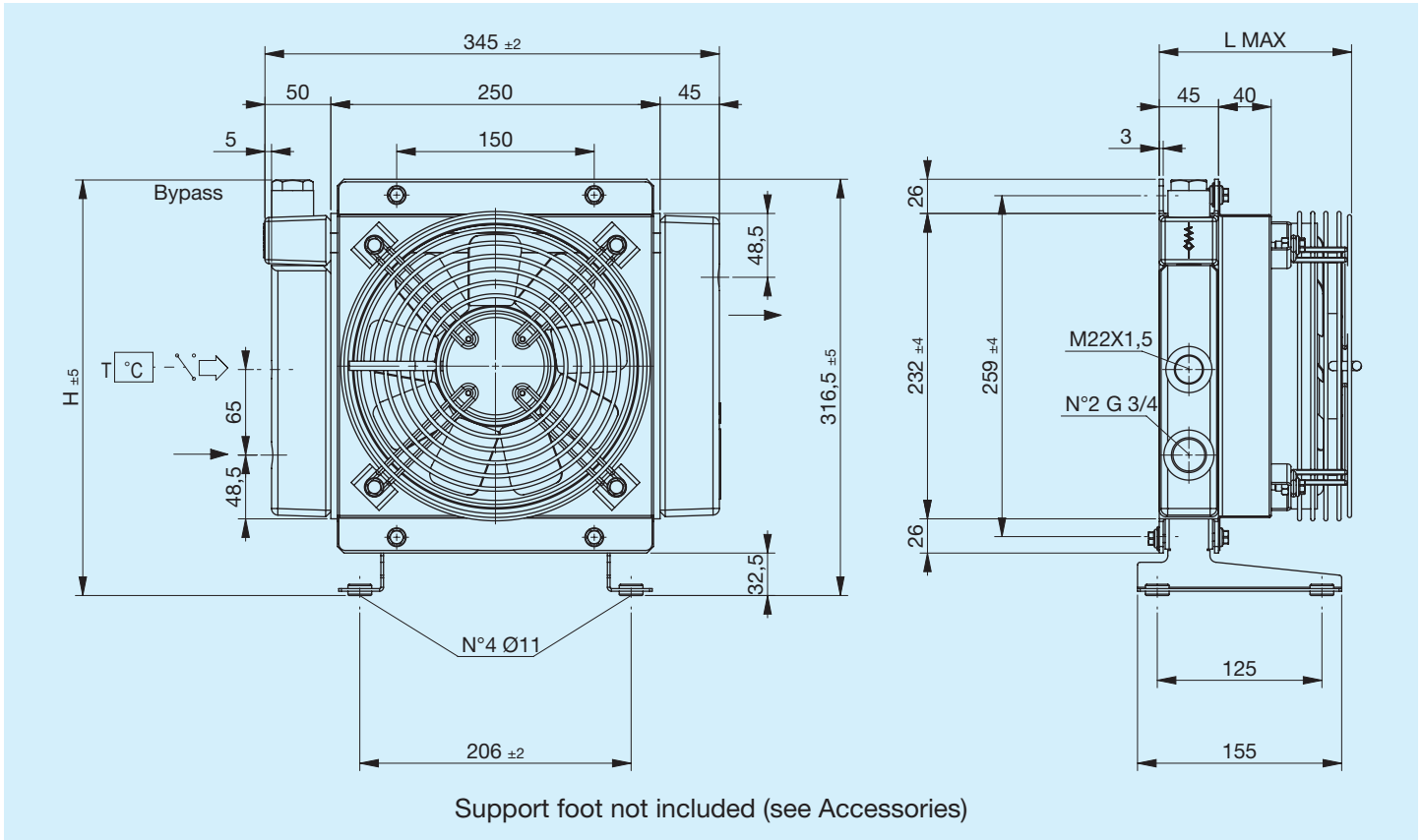


## Bypass valves



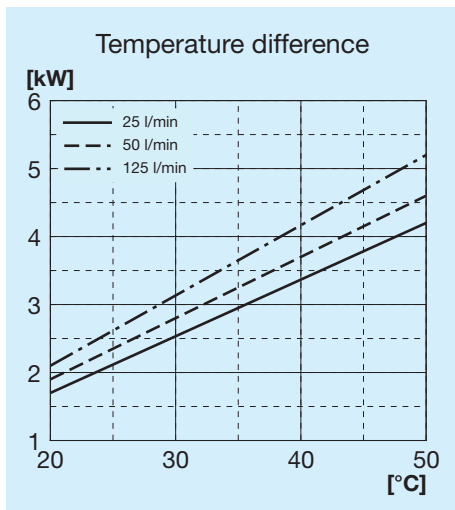
## Legend

A20	Exchanger type
1E	1 Fan unit
A	Aspirating
S	Blowing
AP	High power aspirating
SP	High power blower
AX	Extra high power aspirating
SX	Extra high power blower
12V	Fan unit voltage
24V	Fan unit voltage
T15 VT	Thermostatic bypass valve 3 bar 60°C
T15 VNR	Pressure bypass valve at 4.5 bar

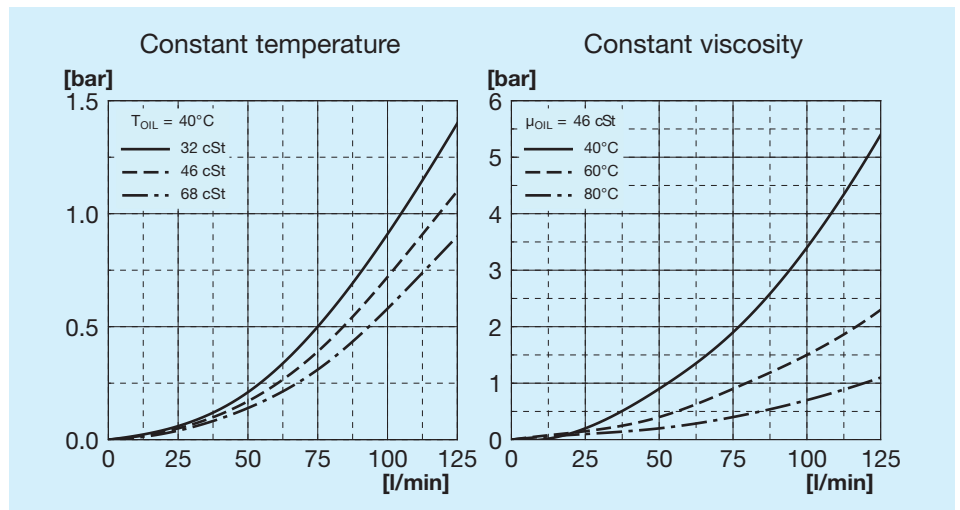


Code	Description	Ø Fan mm	Power W	Frequen- cy Hz	Speed min <sup>-1</sup>	Pro- tection IP	L Max mm	H mm	Weight Kg	Capacity l
FR633030031	A20 1EA 230V	200	78	50 60	2600 2900	44	146	317.5	7	1.45
FR633030032	A20 1ES 230V	200	78	50 60	2600 2900	44	146	317.5	7	1.45
FR633030021	A20 1EA 400V	200	70	50 60	2600 2900	44	146	317.5	7	1.45
FR633030022	A20 1ES 400V	200	70	50 60	2600 2900	44	146	317.5	7	1.45
FR633033131	A20 1EA 230V bypass T15 V.T. 3 bar 60°C	200	78	50 60	2600 2900	44	146	316	7	1.45
FR633033132	A20 1ES 230V bypass T15 V.T. 3 bar 60°C	200	78	50 60	2600 2900	44	146	316	7	1.45
FR633031031	A20 1EA 230V bypass T15 VNR 4.5 bar	200	78	50 60	2600 2900	44	146	300	7	1.45
FR633031032	A20 1ES 230V bypass T15 VNR 4.5 bar	200	78	50 60	2600 2900	44	146	300	7	1.45
FR633033121	A20 1EA 400V bypass T15 V.T. 3 bar 60°C	200	70	50 60	2600 2900	44	146	316	7	1.45
FR633033122	A20 1ES 400V bypass T15 V.T. 3 bar 60°C	200	70	50 60	2600 2900	44	146	316	7	1.45
FR633031021	A20 1EA 400V bypass T15 VNR 4.5 bar	200	70	50 60	2600 2900	44	146	300	7	1.45
FR633031022	A20 1ES 400V bypass T15 VNR 4.5 bar	200	70	50 60	2600 2900	44	146	300	7	1.45

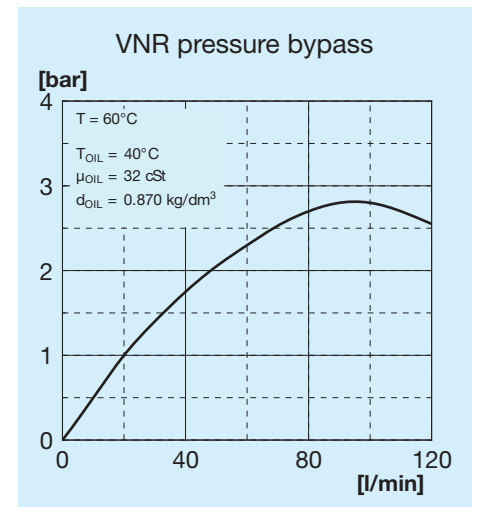
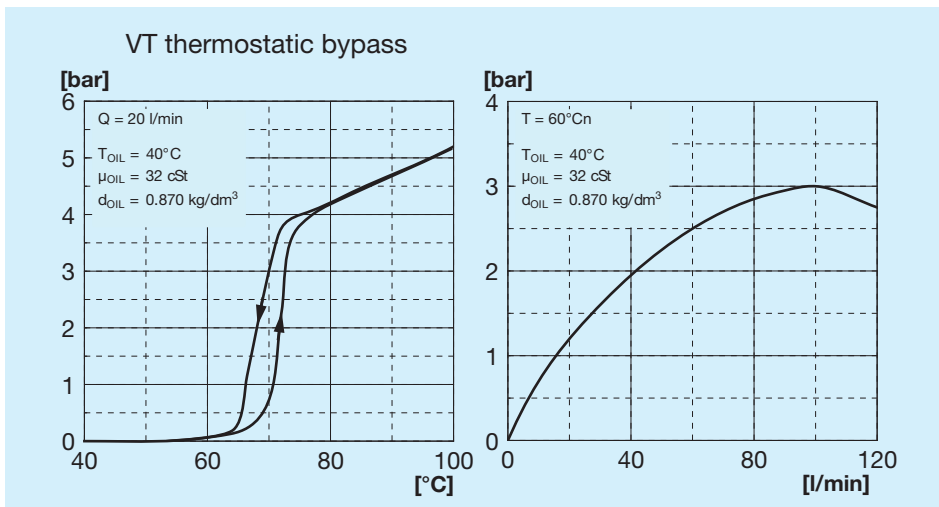
## Heat exchange (thermal) capacity



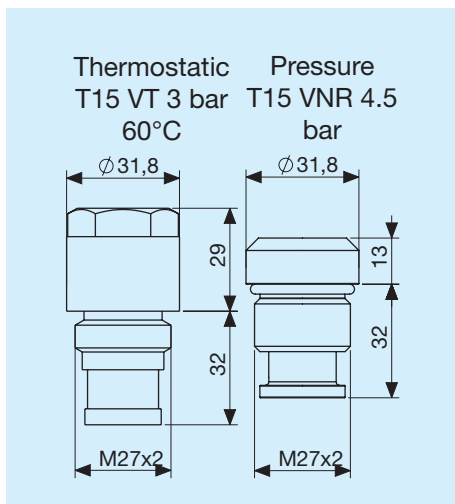
## Radiator passage pressure drop



## Bypass passage load loss

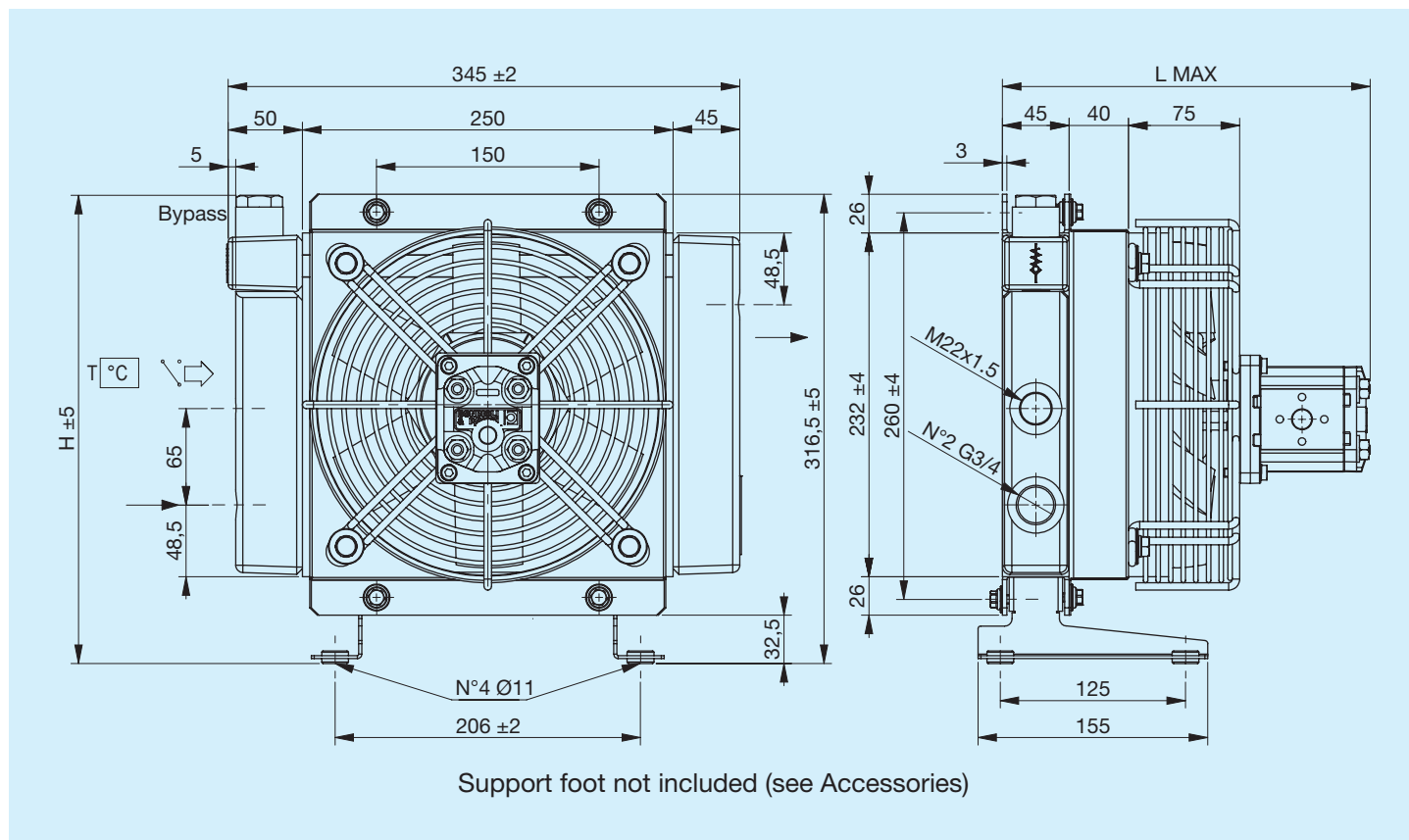


## Bypass valves



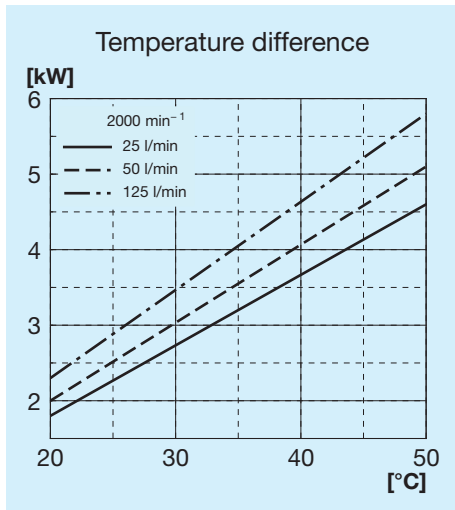
## Legend

A20	Exchanger type
1E	1 Fan unit
A	Aspirating
S	Blowing
230V	Fan unit voltage
400V	Fan unit voltage
T15 VT	Thermostatic bypass valve 3 bar 60°C
T15 VNR	Pressure bypass valve at 4.5 bar

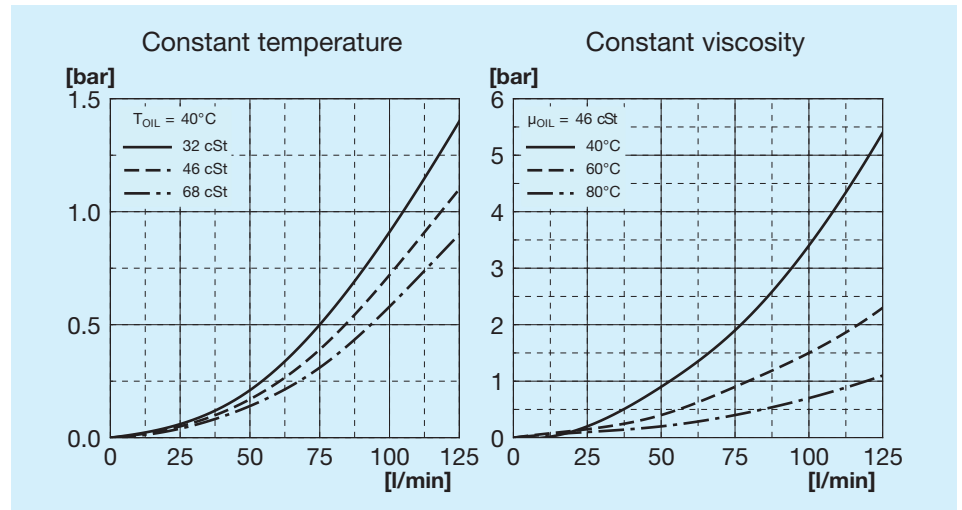


Code	Description	Ø Fan mm	Motor displace- ment cm <sup>3</sup> /h	L Max mm	H mm	Weight Kg	Capacity l
FR634033113	A20 IA HYDR.MOT. GR1 bypass T15 V.T. 3 bar 60°C	220	6	248	316	7	1.45
FR634033114	A20 IS HYDR.MOT. GR1 bypass T15 V.T. 3 bar 60°C	220	6	248	316	7	1.45
FR634031013	A20 IA HYDR.MOT. GR1 bypass T15 VNR 4.5 bar	220	6	248	300	7	1.45
FR634031014	A20 IS HYDR.MOT. GR1 bypass T15 VNR 4.5 bar	220	6	248	300	7	1.45
FR634030013	A20 IA HYDR.MOT. GR1	220	6	248	317.5	7	1.45
FR634030014	A20 IS HYDR.MOT. GR1	220	6	248	317.5	7	1.45

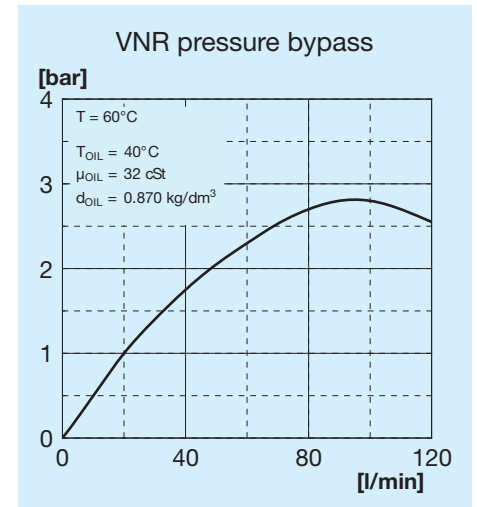
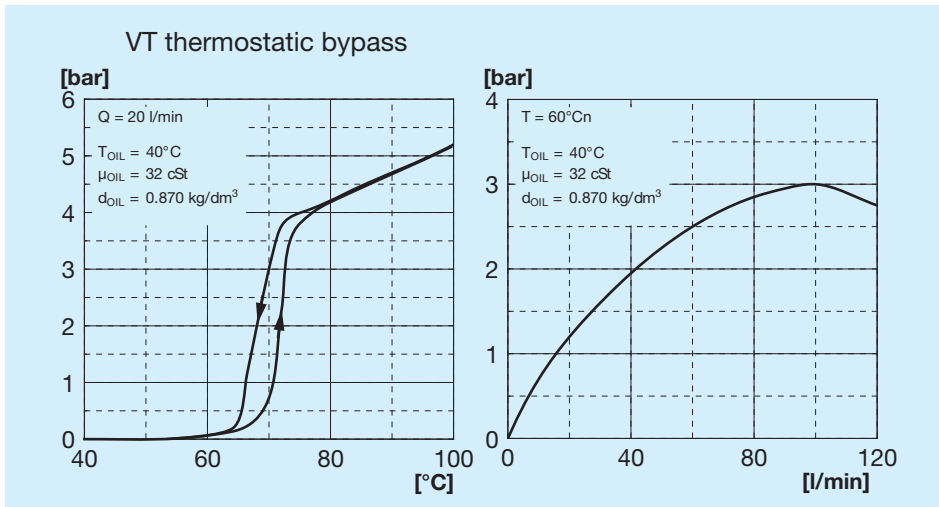
## Heat exchange (thermal) capacity



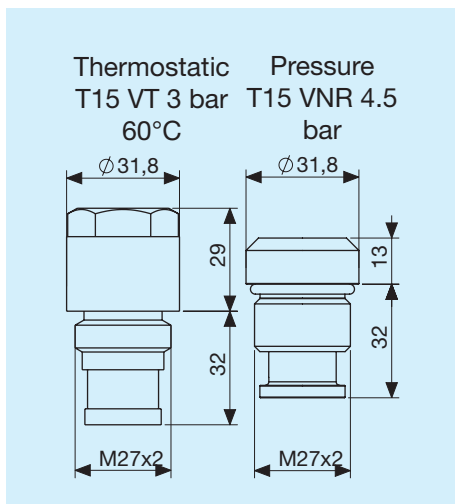
## Radiator passage pressure drop



## Bypass passage load loss

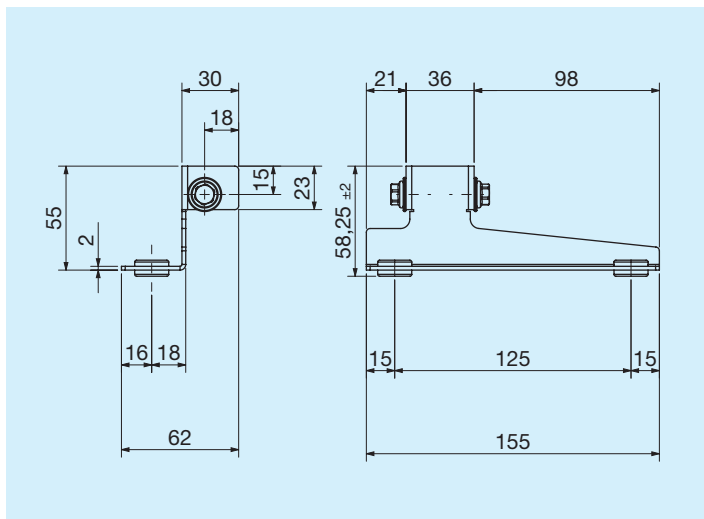


## Bypass valves

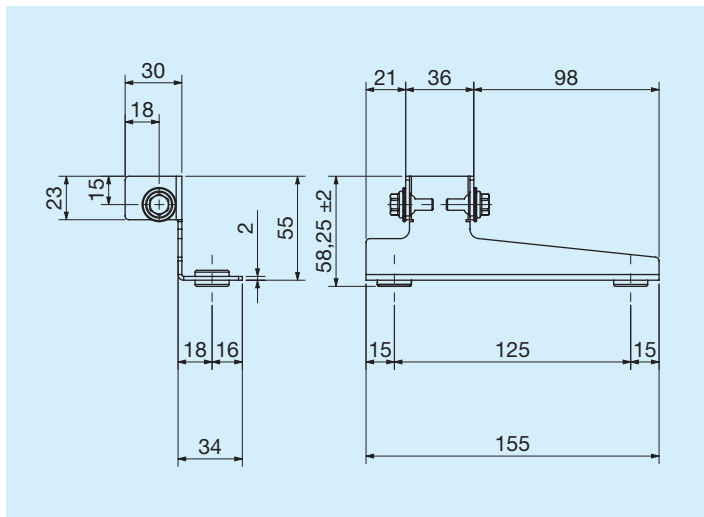


## Legend

A20	Exchanger type
IA	Hydraulic aspirating
IS	Hydraulic blowing
SETT.	With motor mounting
HYD. MOT.	With integrated motor mounting
GR1	Group 1
GR2	Group 2
T15 VT	Thermostatic bypass valve 3 bar 60°C
T15 VNR	Pressure bypass valve at 4.5 bar



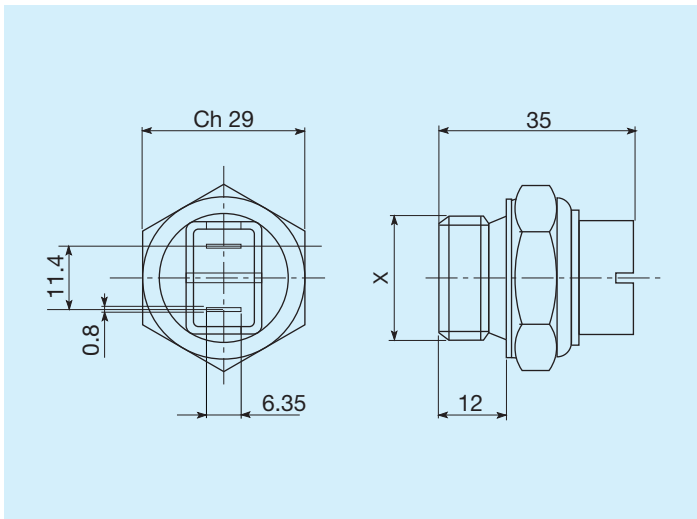
Code	
Left supporting foot	FR290000019R



Code	
Right supporting foot	FR290000020R

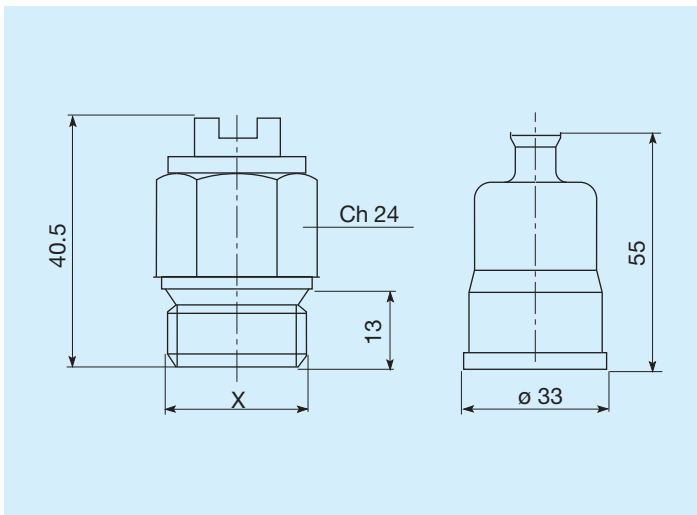


## Thermostats



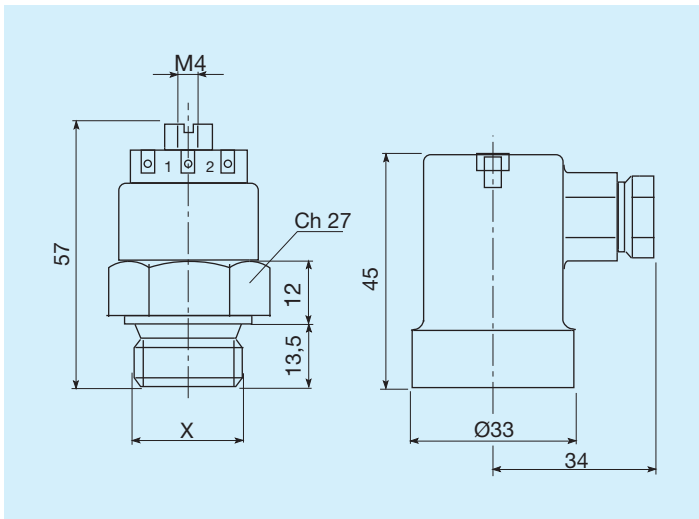
Trigger temperature C°	Threading	Code
45 - 35	M22x1.5	FR361104535R
60 - 50	M22x1.5	FR361106050R
80 - 70	M22x1.5	FR361108070R
82 - 68	M22x1.5	FR361108268R
85 - 76	M22x1.5	FR361108576R

## IP54 protected thermal switch



Trigger temperature C°	Threading	Code
45 - 35	M22x1.5	FR361124535R
50 - 40	M22x1.5	FR361125040R
60 - 50	M22x1.5	FR361126050R
70 - 60	M22x1.5	FR361127060R
80 - 70	M22x1.5	FR361128070R

## IP65 protected thermal switch



Trigger temperature C°	Threading	Code
45 - 35	M22x1.5	FR361154535R
47 - 36	M22x1.5	FR361155040R
60 - 50	M22x1.5	FR361156050R
80 - 70	M22x1.5	FR361158070R