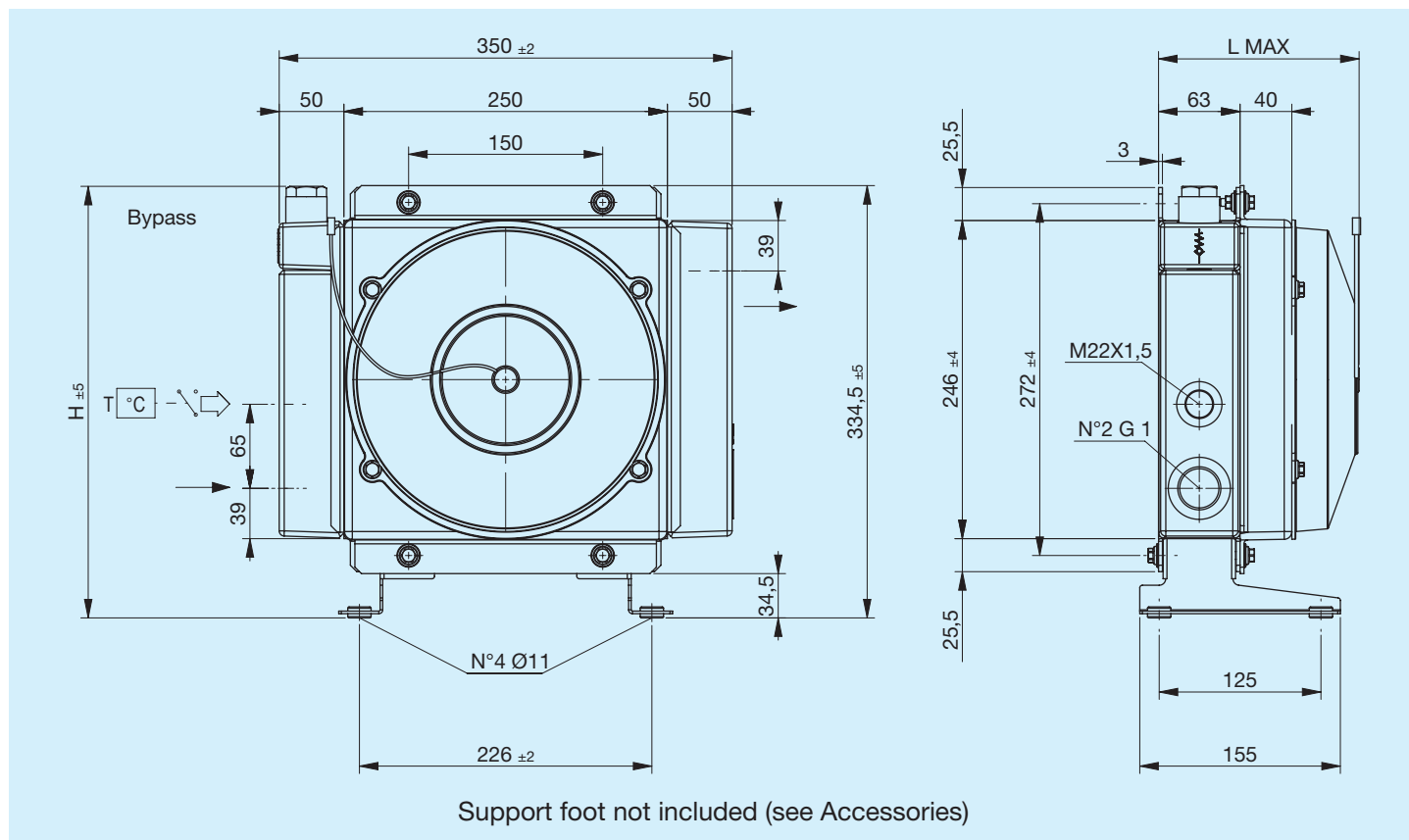


# A22

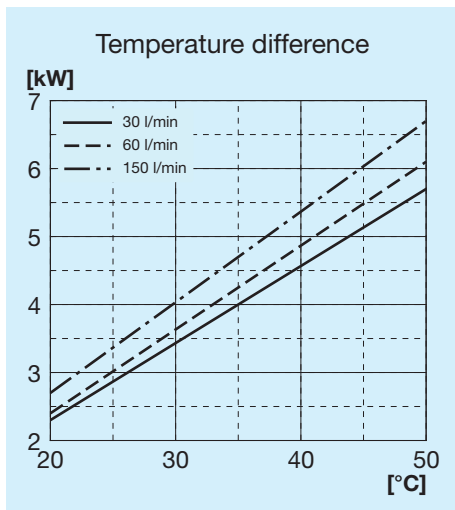


Before using the heat exchanger, carefully read the document entitled GENERAL INSTRUCTIONS FOR HEAT EXCHANGER USE.

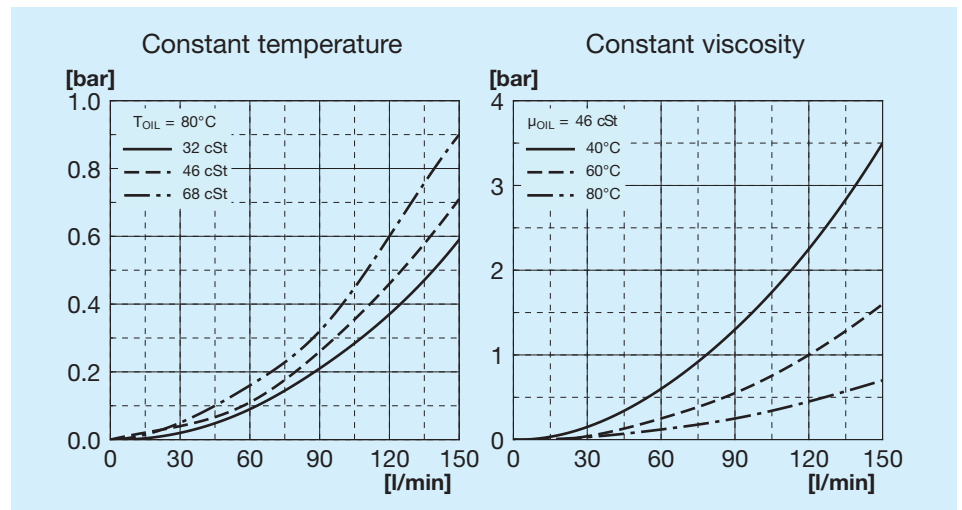


Code	Description	Ø Fan mm	Air flow rate m³/h	Voltage V	Current A	L Max mm	H mm	Weight Kg	Capacity l
FR633110003	A22 1EAP 12V	225	920	12	7.4	160	335.5	5.5	1.7
FR633110004	A22 1ESP 12V	225	1070	12	8.4	160	335.5	5.5	1.7
FR633110013	A22 1EAP 24V	225	980	24	4.1	160	335.5	5.5	1.7
FR633110014	A22 1ESP 24V	225	1100	24	4.3	160	335.5	5.5	1.7
FR633113103	A22 1EAP 12V bypass T15 V.T. 3 bar 60°C	225	920	12	7.4	160	334	5.5	1.7
FR633113104	A22 1ESP 12V bypass T15 V.T. 3 bar 60°C	225	1070	12	8.4	160	334	5.5	1.7
FR633111003	A22 1EAP 12V bypass T15 VNR 4.5 bar	225	920	12	7.4	160	318	5.5	1.7
FR633111004	A22 1ESP 12V bypass T15 VNR 4.5 bar	225	1070	12	8.4	160	318	5.5	1.7
FR633113113	A22 1EAP 24V bypass T15 V.T. 3 bar 60°C	225	980	24	4.1	160	334	5.5	1.7
FR633113114	A22 1ESP 24V bypass T15 V.T. 3 bar 60°C	225	1100	24	4.3	160	334	5.5	1.7
FR633111013	A22 1EAP 24V bypass T15 VNR 4.5 bar	225	980	24	4.1	160	318	5.5	1.7
FR633111014	A22 1ESP 24V bypass T15 VNR 4.5 bar	225	1100	24	4.3	160	318	5.5	1.7

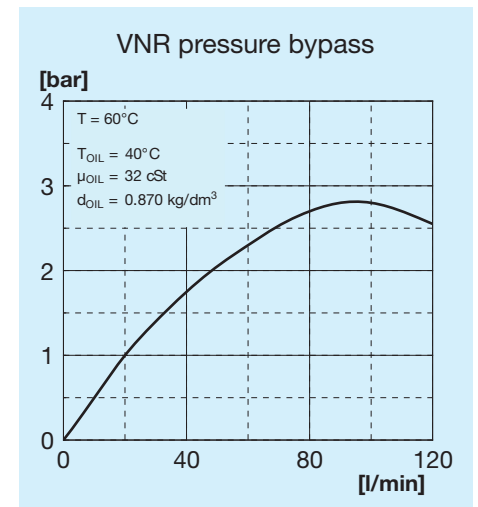
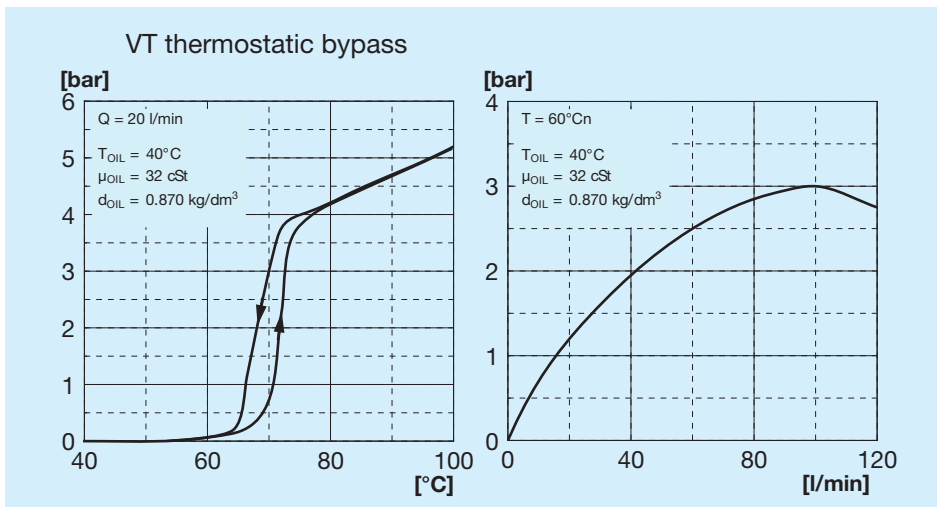
## Heat exchange (thermal) capacity



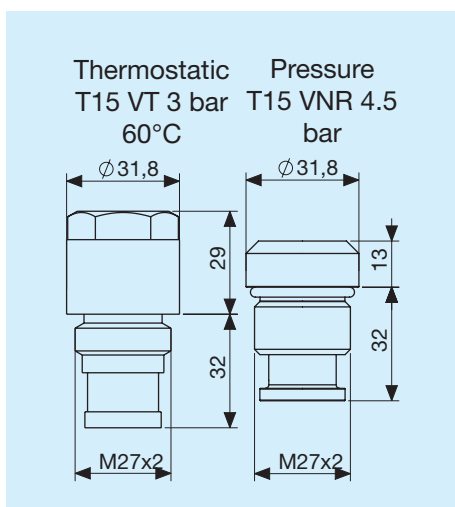
## Radiator passage pressure drop



## Bypass passage load loss

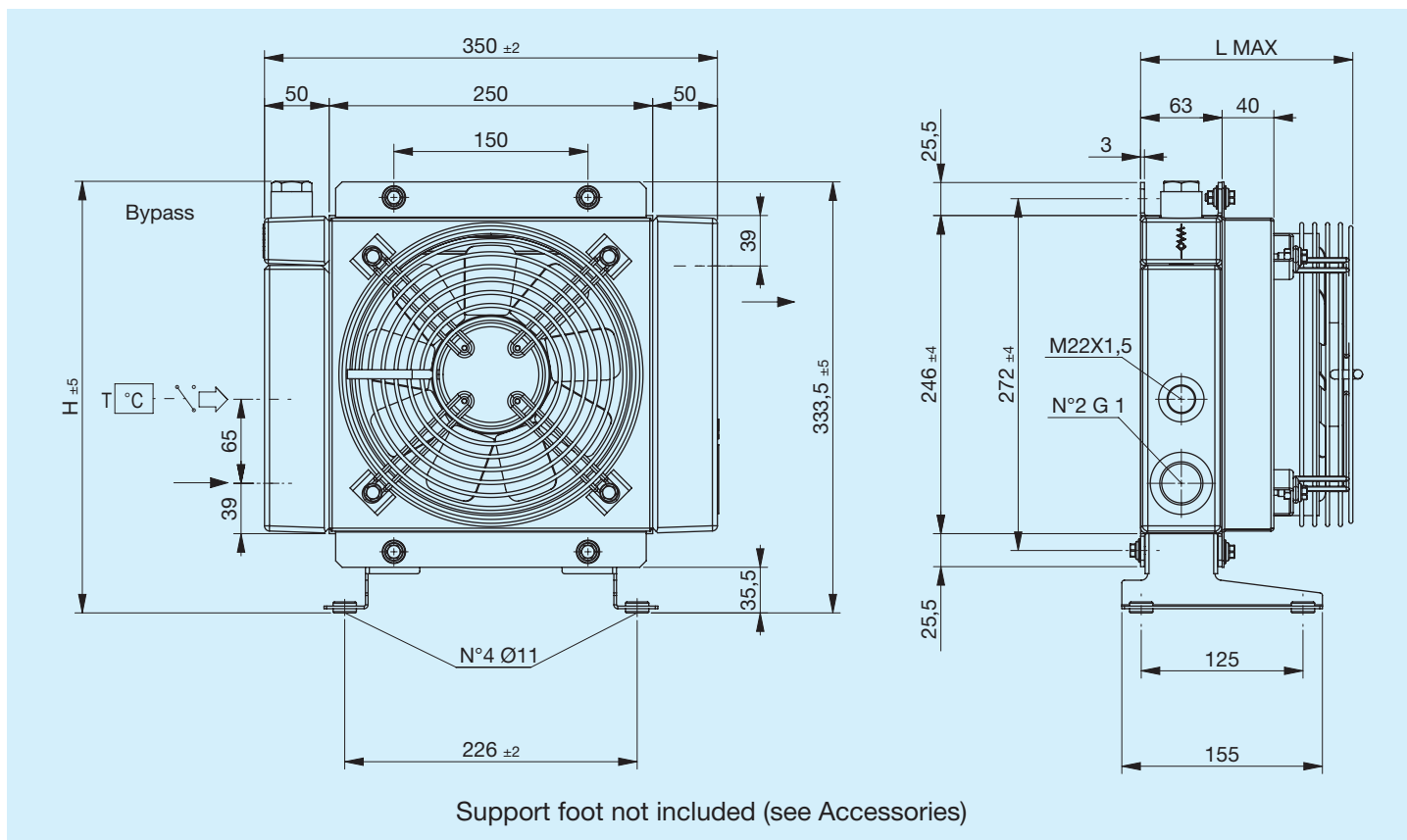


## Bypass valves



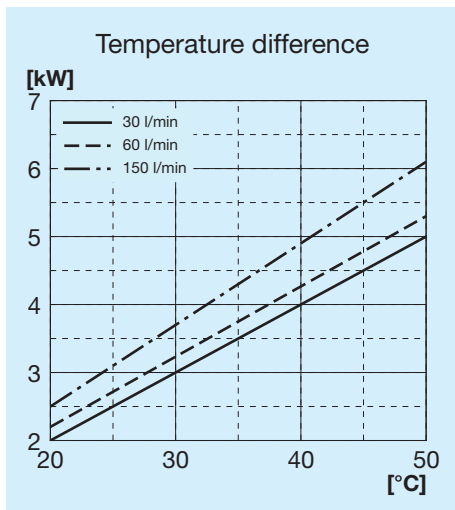
## Legend

A22	Exchanger type
1E	1 Fan unit
A	Aspirating
S	Blowing
AP	High power aspirating
SP	High power blower
AX	Extra high power aspirating
SX	Extra high power blower
12V	Fan unit voltage
24V	Fan unit voltage
T15 VT	Thermostatic bypass valve 3 bar 60°C
T15 VNR	Pressure bypass valve at 4.5 bar

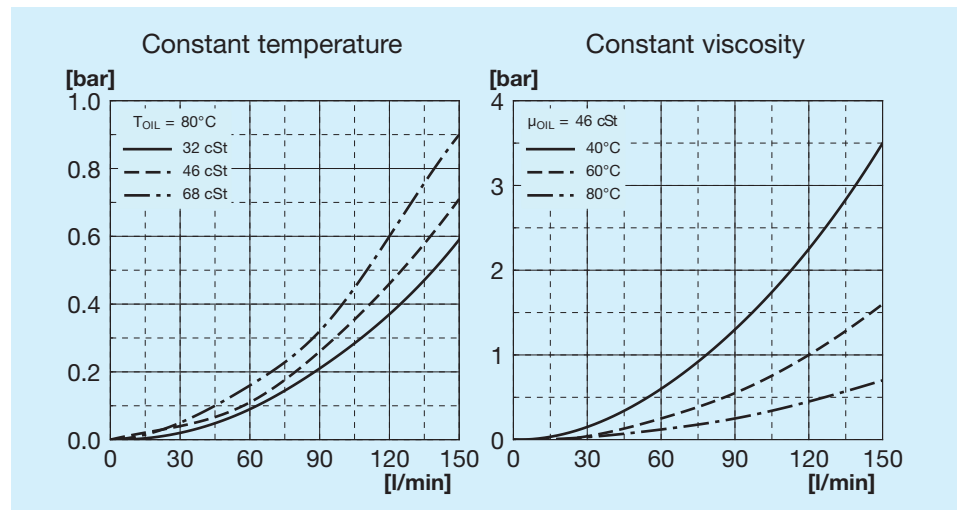


Code	Description	Ø Fan mm	Power W	Frequen- cy Hz	Speed min <sup>-1</sup>	Pro- tection IP	L Max mm	H mm	Weight Kg	Capacity l
FR633110031	A22 1EA 230V	200	76	50 60	2600 2900	44	165	335.5	7.5	1.45
FR633110032	A22 1ES 230V	200	76	50 60	2600 2900	44	165	335.5	7.5	1.45
FR633110021	A22 1EA 400V	200	76	50 60	2600 2900	44	165	335.5	7.5	1.45
FR633110022	A22 1ES 400V	200	76	50 60	2600 2900	44	165	335.5	7.5	1.45
FR633113131	A22 1EA 230V bypass T15 V.T. 3 bar 60°C	200	76	50 60	2600 2900	44	165	334	7.5	1.45
FR633113132	A22 1ES 230V bypass T15 V.T. 3 bar 60°C	200	76	50 60	2600 2900	44	165	334	7.5	1.45
FR633111031	A22 1EA 230V bypass T15 VNR 4.5 bar	200	76	50 60	2600 2900	44	165	318	7.5	1.45
FR633111032	A22 1ES 230V bypass T15 VNR 4.5 bar	200	76	50 60	2600 2900	44	165	318	7.5	1.45
FR633113121	A22 1EA 400V bypass T15 V.T. 3 bar 60°C	200	76	50 60	2600 2900	44	165	334	7.5	1.45
FR633113122	A22 1ES 400V bypass T15 V.T. 3 bar 60°C	200	76	50 60	2600 2900	44	165	334	7.5	1.45
FR633111021	A22 1EA 400V bypass T15 VNR 4.5 bar	200	76	50 60	2600 2900	44	165	318	7.5	1.45
FR633111022	A22 1ES 400V bypass T15 VNR 4.5 bar	200	76	50 60	2600 2900	44	165	318	7.5	1.45

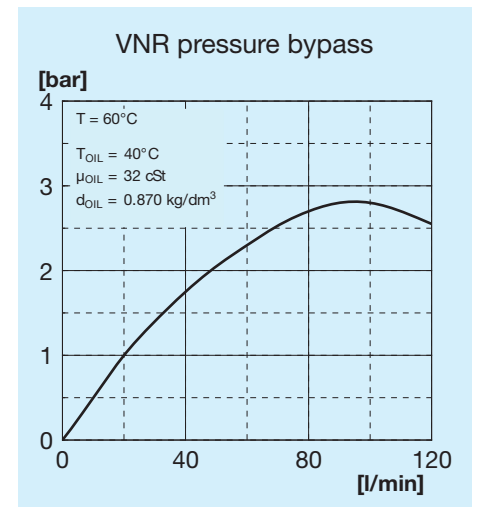
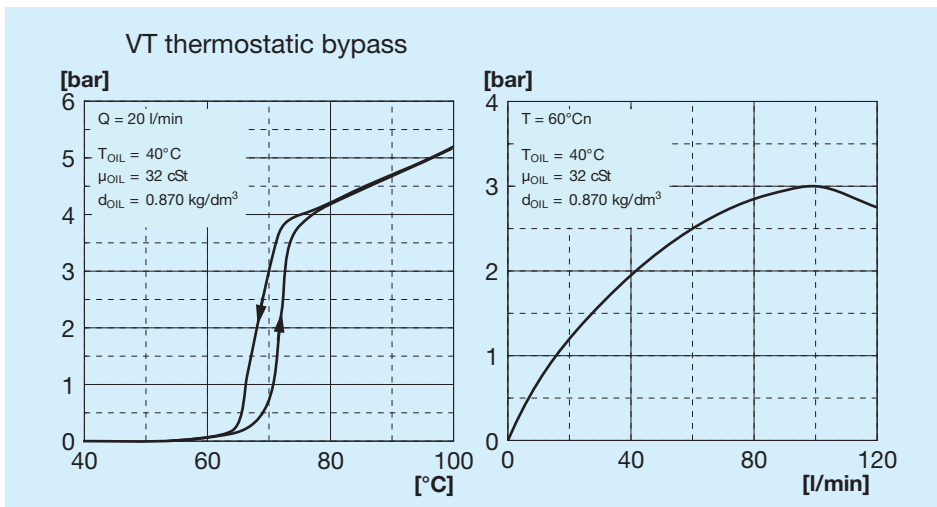
## Heat exchange (thermal) capacity



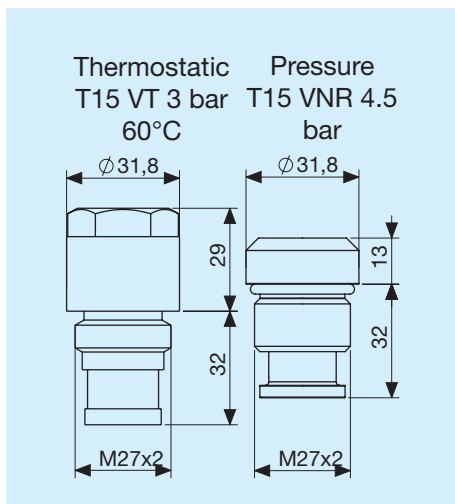
## Radiator passage pressure drop



## Bypass passage load loss

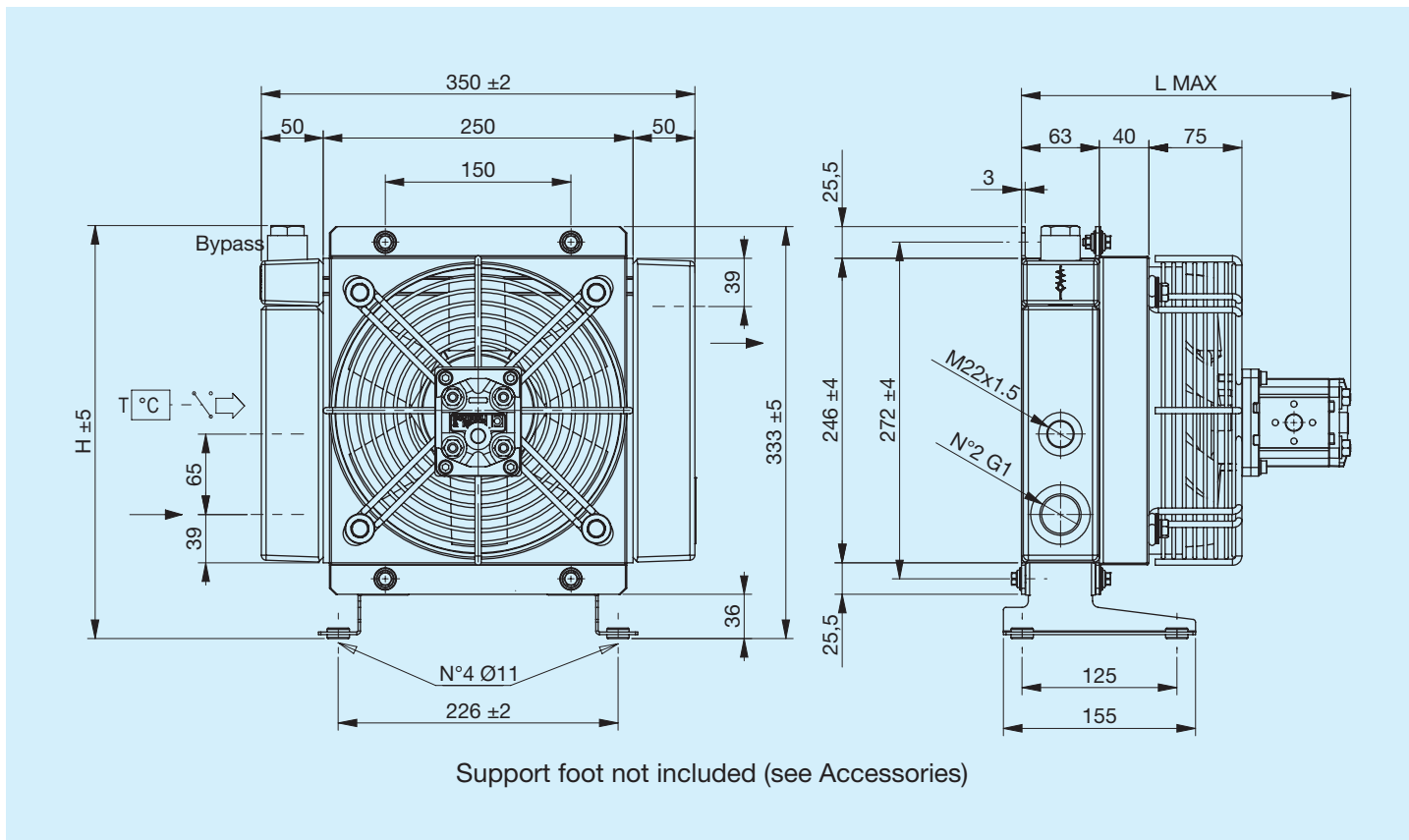


## Bypass valves



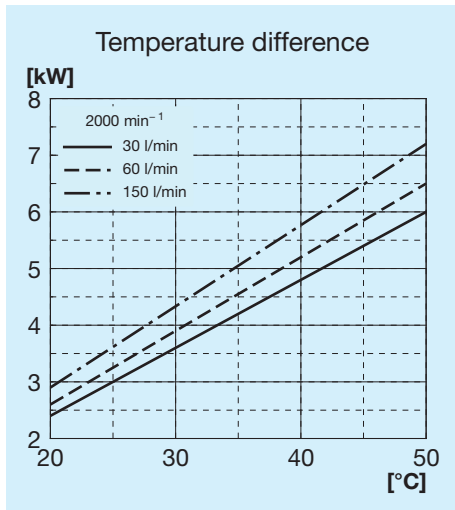
## Legend

A22	Exchanger type
1E	1 Fan unit
A	Aspirating
S	Blowing
230V	Fan unit voltage
400V	Fan unit voltage
T15 VT	Thermostatic bypass valve 3 bar 60°C
T15 VNR	Pressure bypass valve at 4.5 bar

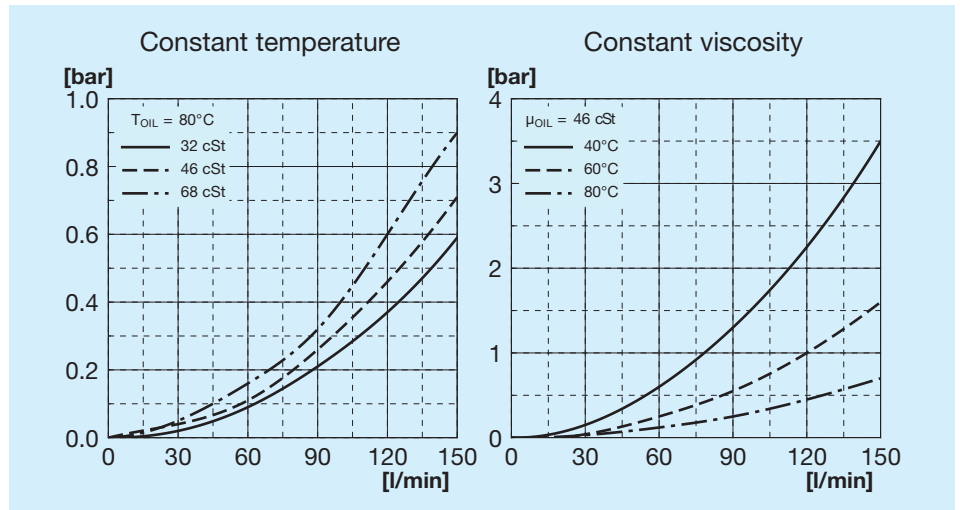


Code	Description	Ø Fan mm	Motor displace- ment cm <sup>3</sup> /h	L Max mm	H mm	Weight Kg	Capacity l
FR634113113	A22 IA HYDR.MOT. GR1 bypass T15 V.T. 3 bar 60°C	220	6	266	334	9	1.7
FR634113114	A22 IS HYDR.MOT. GR1 bypass T15 V.T. 3 bar 60°C	220	6	266	334	9	1.7
FR634111013	A22 IA HYDR.MOT. GR1 bypass T15 VNR 4.5 bar	220	6	266	318	9	1.7
FR634111014	A22 IS HYDR.MOT. GR1 bypass T15 VNR 4.5 bar	220	6	266	318	9	1.7
FR634110013	A22 IA HYDR.MOT. GR1	220	6	266	335.5	9	1.7
FR634110014	A22 IS HYDR.MOT. GR1	220	6	266	335.5	9	1.7

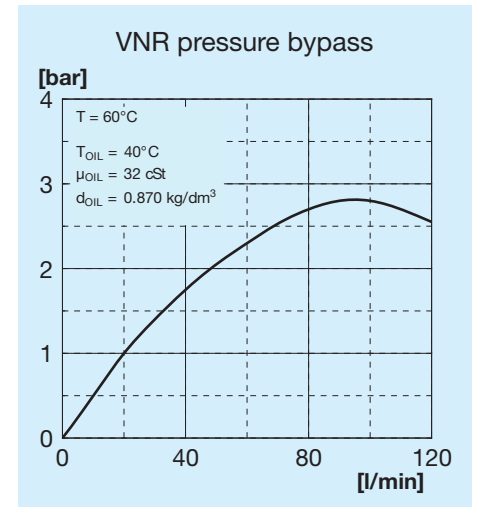
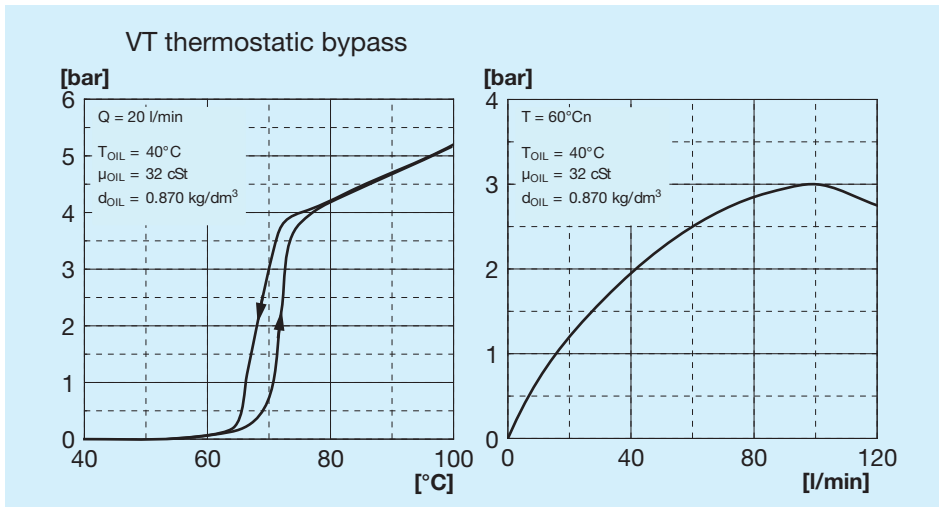
## Heat exchange (thermal) capacity



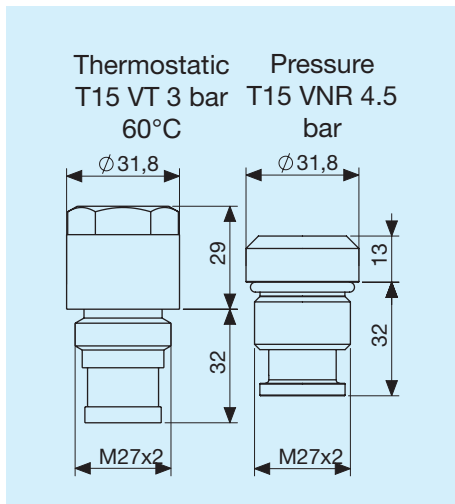
## Radiator passage pressure drop



## Bypass passage load loss



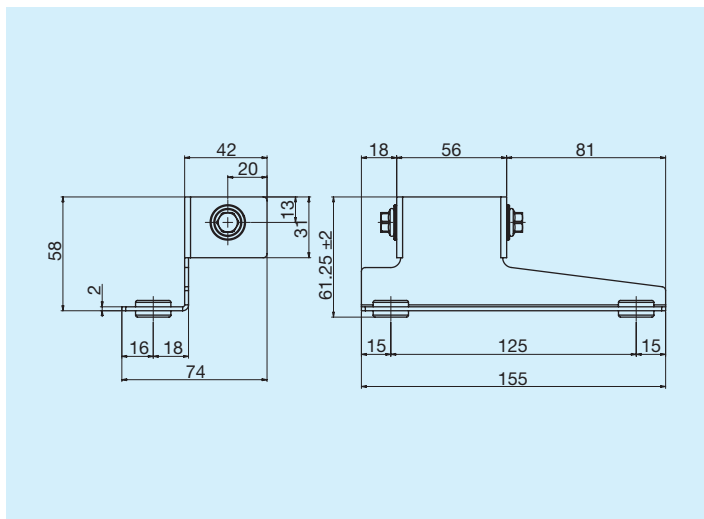
## Bypass valves



## Legend

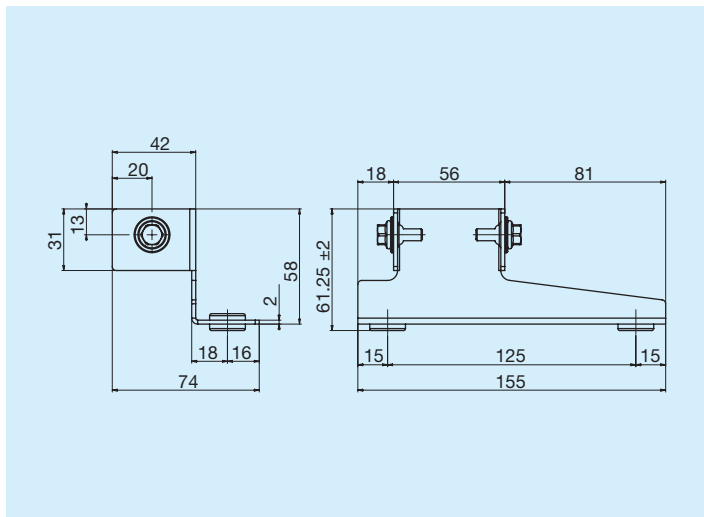
A22	Exchanger type
IA	Hydraulic aspirating
IS	Hydraulic blowing
SETT.	With motor mounting
HYD. MOT.	With integrated motor mounting
GR1	Group 1
GR2	Group 2
T15 VT	Thermostatic bypass valve 3 bar 60°C
T15 VNR	Pressure bypass valve at 4.5 bar

## Left supporting foot



Code

Left supporting foot FR290000011R

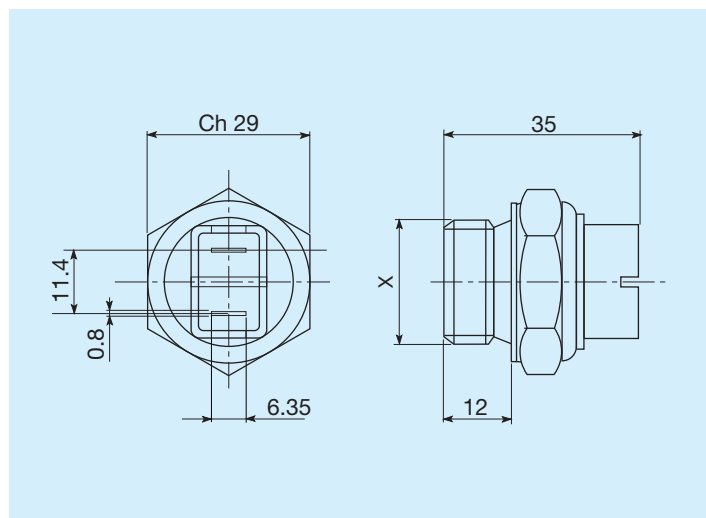


Code

Right supporting foot FR290000012R

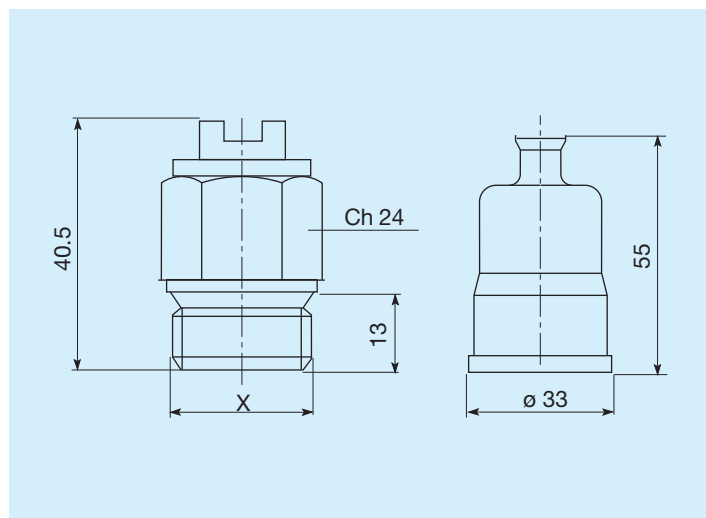


## Thermostats



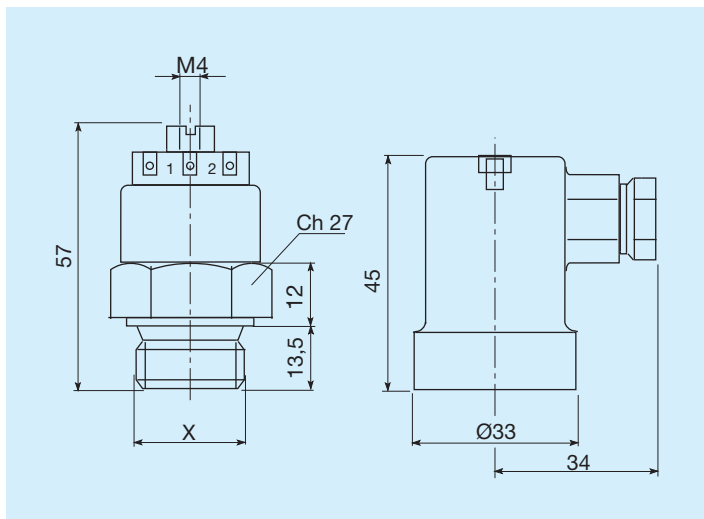
Trigger temperature °C	Threading	Code
45 - 35	M22x1.5	FR361104535R
60 - 50	M22x1.5	FR361106050R
80 - 70	M22x1.5	FR361108070R
82 - 68	M22x1.5	FR361108268R
85 - 76	M22x1.5	FR361108576R

## IP54 protected thermal switch



Trigger temperature °C	Threading	Code
45 - 35	M22x1.5	FR361124535R
50 - 40	M22x1.5	FR361125040R
60 - 50	M22x1.5	FR361126050R
70 - 60	M22x1.5	FR361127060R
80 - 70	M22x1.5	FR361128070R

## IP65 protected thermal switch



Trigger temperature °C	Threading	Code
45 - 35	M22x1.5	FR361154535R
47 - 36	M22x1.5	FR361155040R
60 - 50	M22x1.5	FR361156050R
80 - 70	M22x1.5	FR361158070R