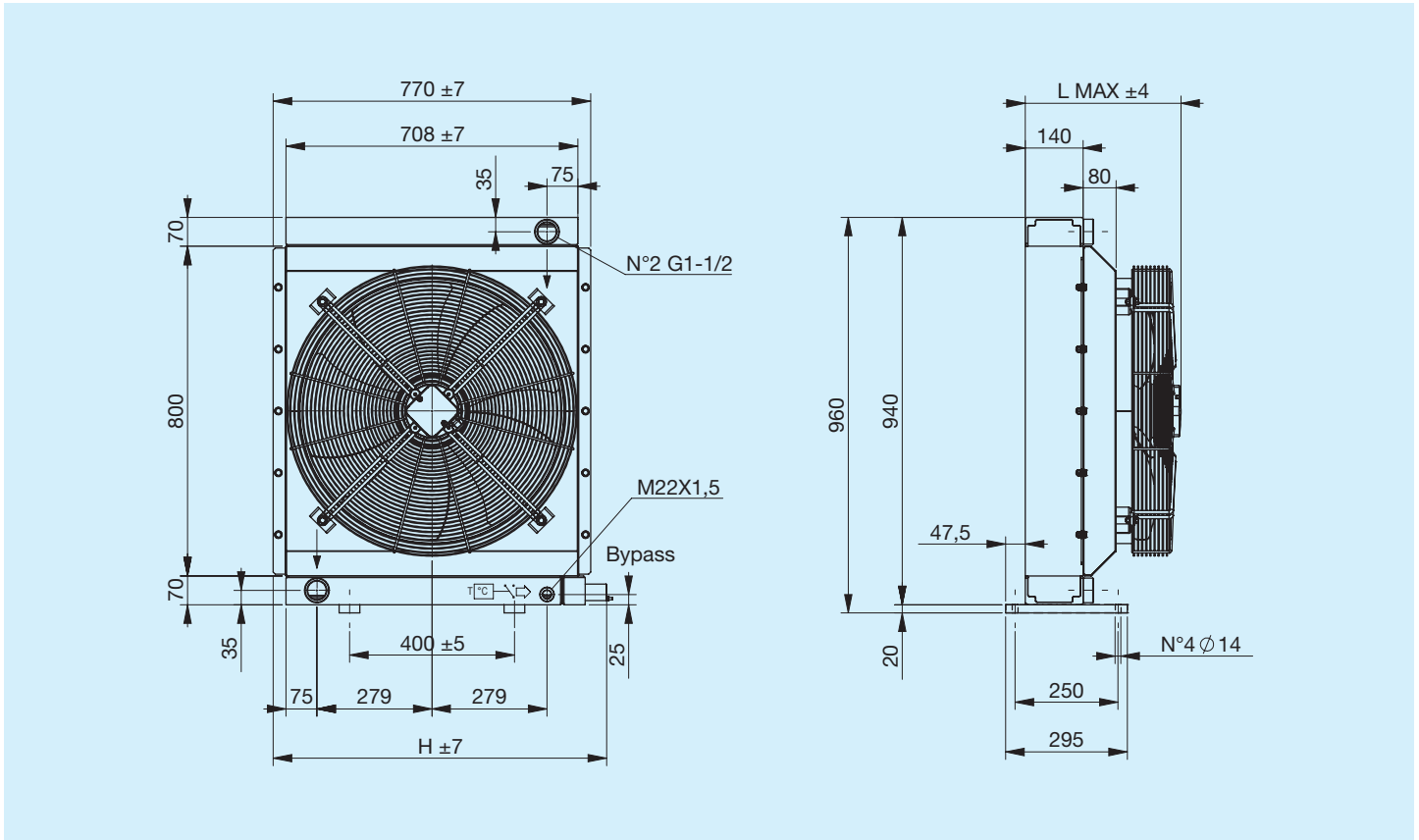


A106

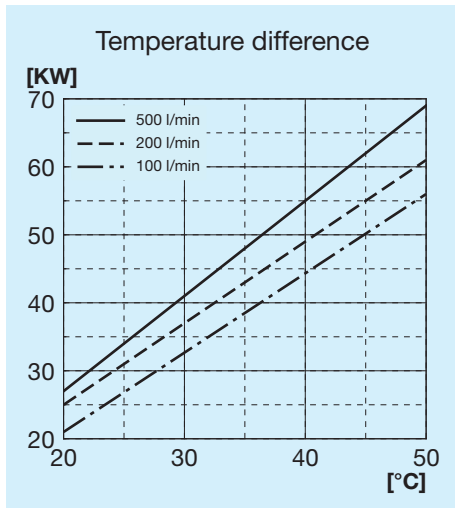


Before using the heat exchanger, carefully read the document entitled GENERAL INSTRUCTIONS FOR HEAT EXCHANGER USE.

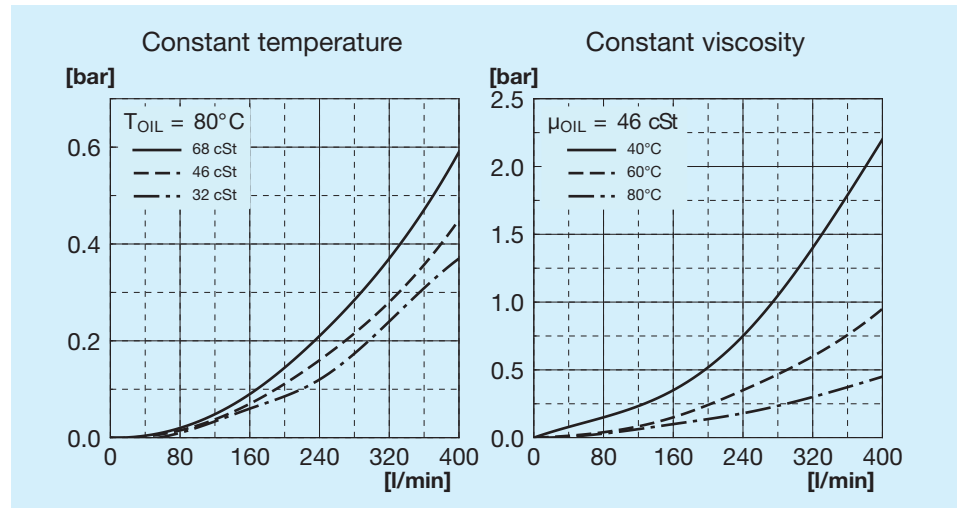


Code	Description	Ø Fan	Power	Frequen- cy	Velocity	Rating	L Max	H	Weight	Capacity
FR633273131	A106 1EA 230V bypass T15 V.T. 6 bar 50°C	630	600	50	860	54	390	809	72	32
FR633273132	A106 1ES 230V bypass T15 V.T. 6 bar 50°C	630	600	50	860	54	390	809	72	32
FR633271031	A106 1EA 230V bypass T15 VNR 4.5 bar	630	600	50	860	54	390	771	72	32
FR633271032	A106 1ES 230V bypass T15 VNR 4.5 bar	630	600	50	860	54	390	771	72	32
FR633273121	A106 1EA 400V bypass T15 V.T. 6 bar 50°C	630	570 920	50 60	900 990	54	390	809	72	32
FR633273122	A106 1ES 400V bypass T15 V.T. 6 bar 50°C	630	640 790	50 60	890 1005	54	390	809	72	32
FR633271021	A106 1EA 400V bypass T15 VNR 4.5 bar	630	570 920	50 60	900 990	54	390	771	72	32
FR633271022	A106 1ES 400V bypass T15 VNR 4.5 bar	630	640 790	50 60	890 1005	54	390	771	72	32
FR633270031	A106 1EA 230V	630	600	50	860	54	390	770	72	32
FR633270032	A106 1ES 230V	630	600	50	860	54	390	770	72	32
FR633270021	A106 1EA 400V	630	570 920	50 60	900 990	54	390	770	72	32
FR633270022	A106 1ES 400V	630	640 790	50 60	890 1005	54	390	770	72	32

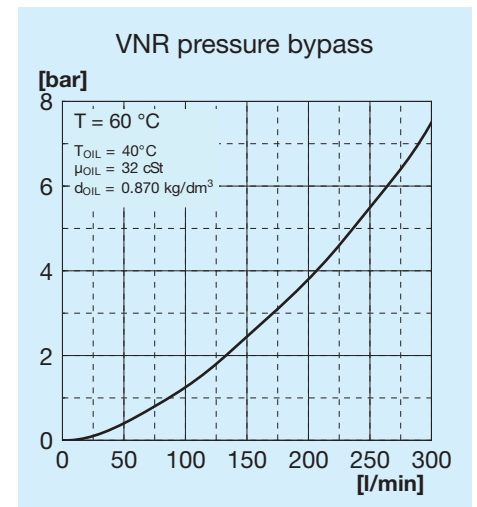
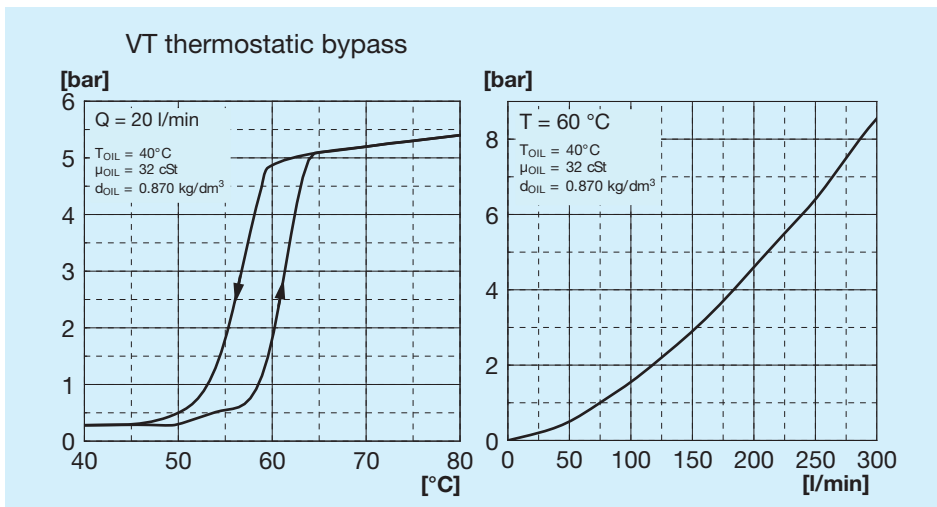
Heat exchange (thermal) capacity



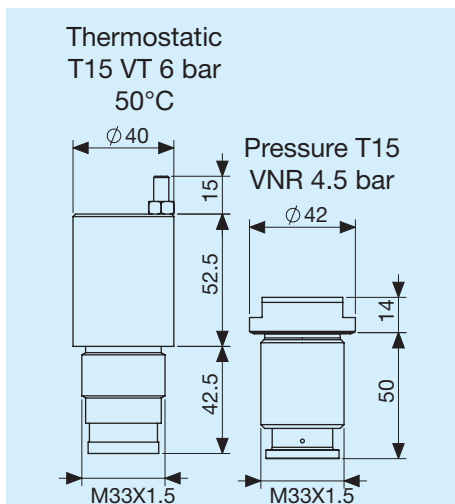
Radiator passage pressure drop



Bypass passage load loss

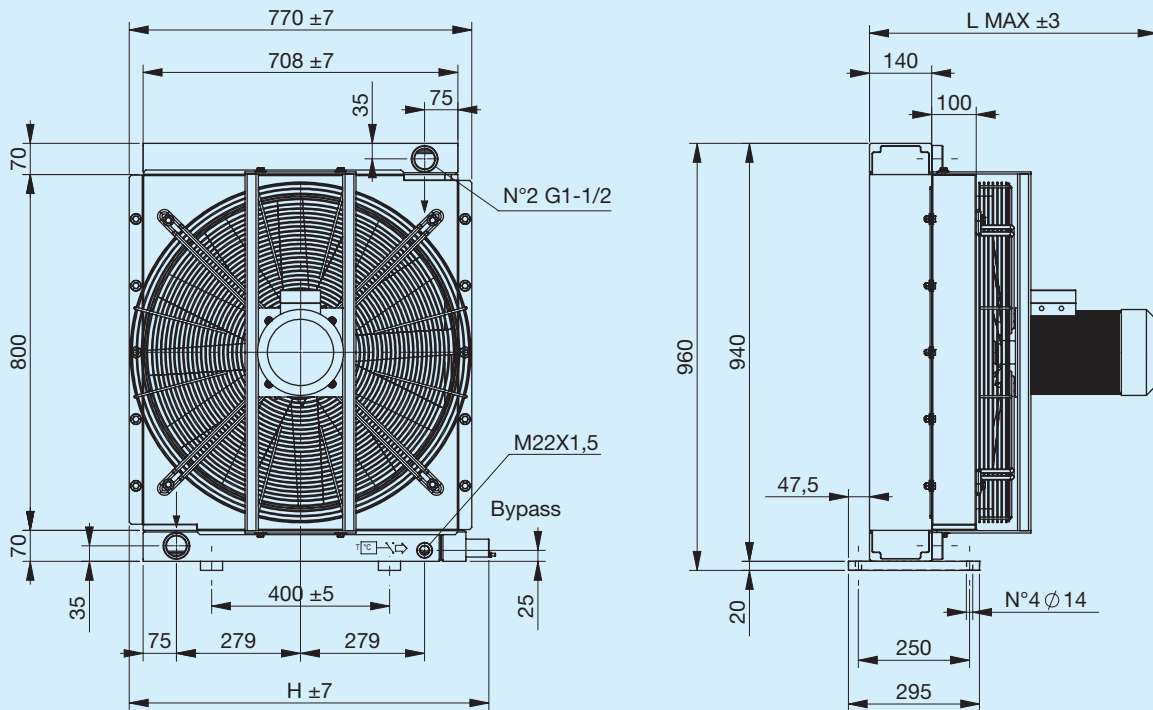


Bypass valves



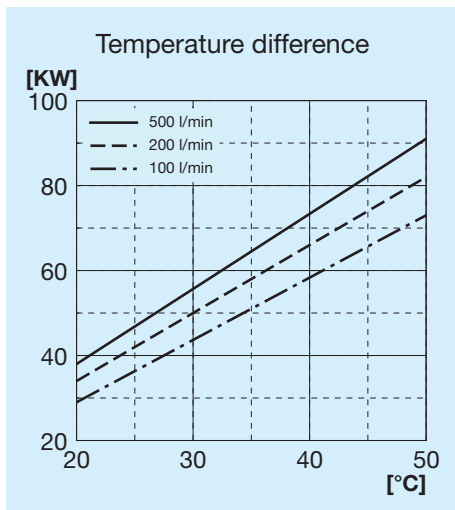
Legend

A106	Exchanger type
1E	1 Fan unit
A	Aspirating
S	Blowing
230V	Fan unit voltage
400V	Fan unit voltage
T15 VT	Thermostatic bypass valve 6 bar 50°C
T15 VNR	Pressure bypass valve at 4.5 bar

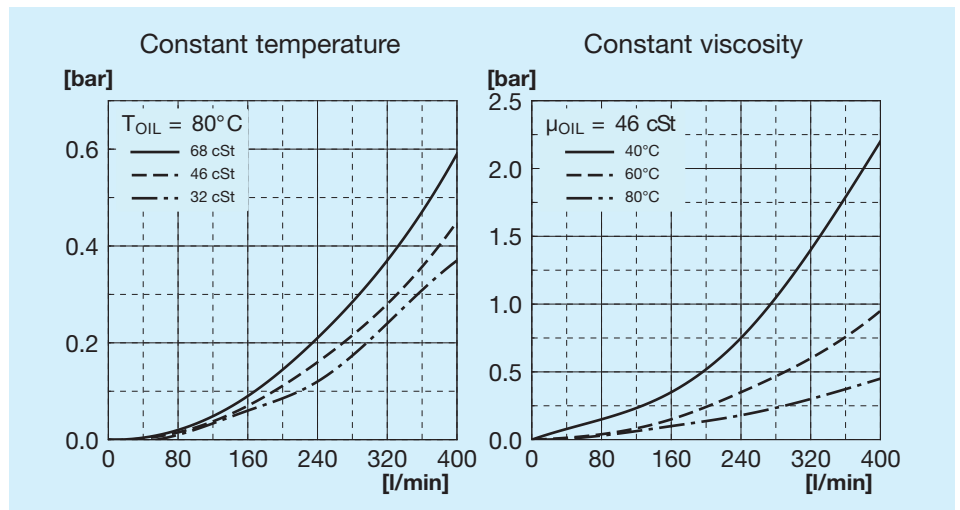


Code	Description	Ø Fan mm	Power W	Frequen- cy Hz	Speed min ⁻¹	Pro- tection IP	L Max mm	H mm	Weight Kg	Capacity l
FR633273141	A106 1EA 230V-B14 bypass T15 V.T. 6 bar 50°C	690	3000	50	1430	65	643	809	100	32
FR633273142	A106 1ES 230V-B14 bypass T15 V.T. 6 bar 50°C	690	3000	50	1430	65	643	809	100	32
FR633271041	A106 1EA 230V-B14 bypass T15 VNR 4.5 bar	690	3000	50	1430	65	643	771	100	32
FR633271042	A106 1ES 230V-B14 bypass T15 VNR 4.5 bar	690	3000	50	1430	65	643	771	100	32
FR633273151	A106 1EA 400V-B14 bypass T15 V.T. 6 bar 50°C	690	3000	50	1430	65	643	809	100	32
FR633273152	A106 1ES 400V-B14 bypass T15 V.T. 6 bar 50°C	690	3000	50	1430	65	643	809	100	32
FR633271051	A106 1EA 400V-B14 bypass T15 VNR 4.5 bar	690	3000	50	1430	65	643	771	100	32
FR633271052	A106 1ES 400V-B14 bypass T15 VNR 4.5 bar	690	3000	50	1430	65	643	771	100	32
FR633270041	A106 1EA 230V-B14	690	3000	50	1430	65	643	770	100	32
FR633270042	A106 1ES 230V-B14	690	3000	50	1430	65	643	770	100	32
FR633270051	A106 1EA 400V-B14	690	3000	50	1430	65	643	770	100	32
FR633270052	A106 1ES 400V-B14	690	3000	50	1430	65	643	770	100	32

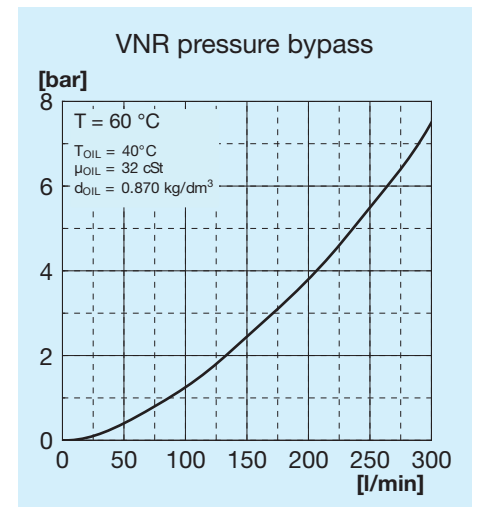
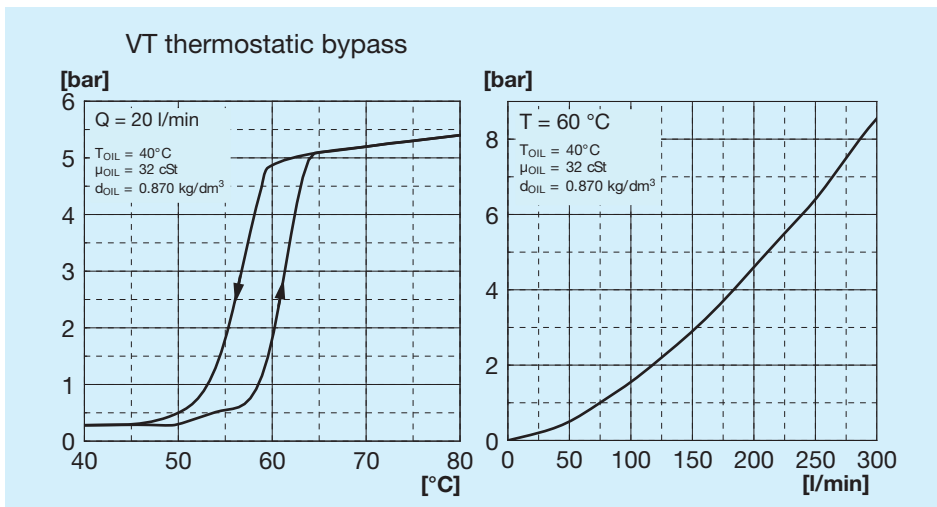
Heat exchange (thermal) capacity



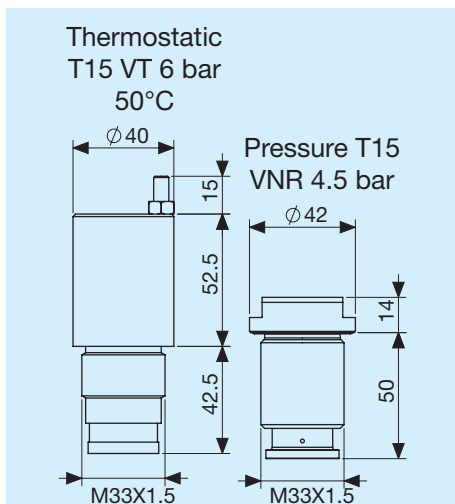
Radiator passage pressure drop



Bypass passage load loss

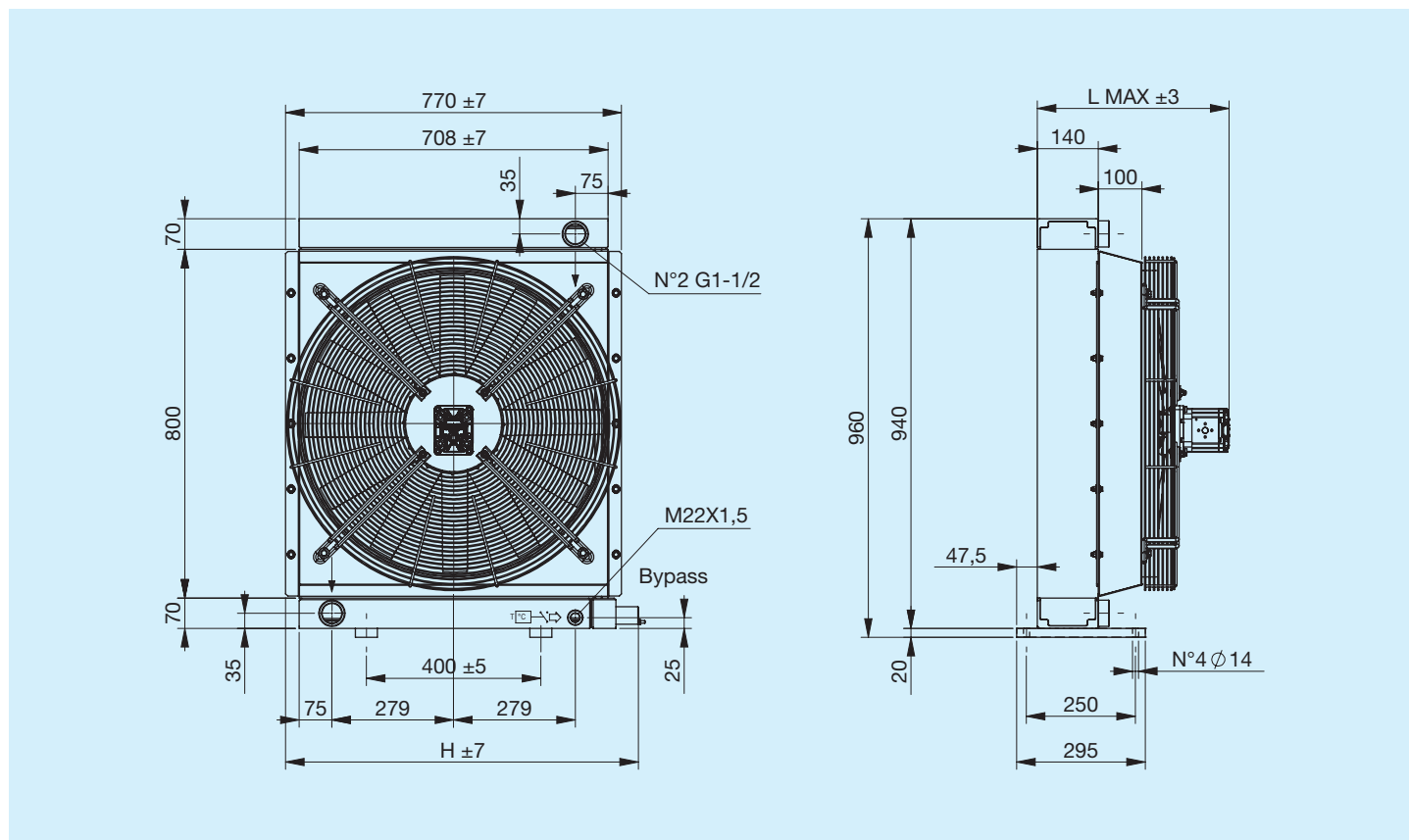


Bypass valves



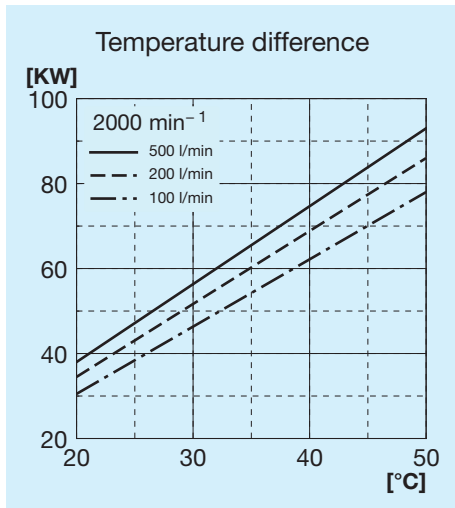
Legend

A106	Exchanger type
1E	1 Fan unit
A	Aspirating
S	Blowing
230V B14	Fan unit voltage
400V B14	Fan unit voltage
T15 VT	Thermostatic bypass valve 6 bar 50°C
T15 VNR	Pressure bypass valve at 4.5 bar

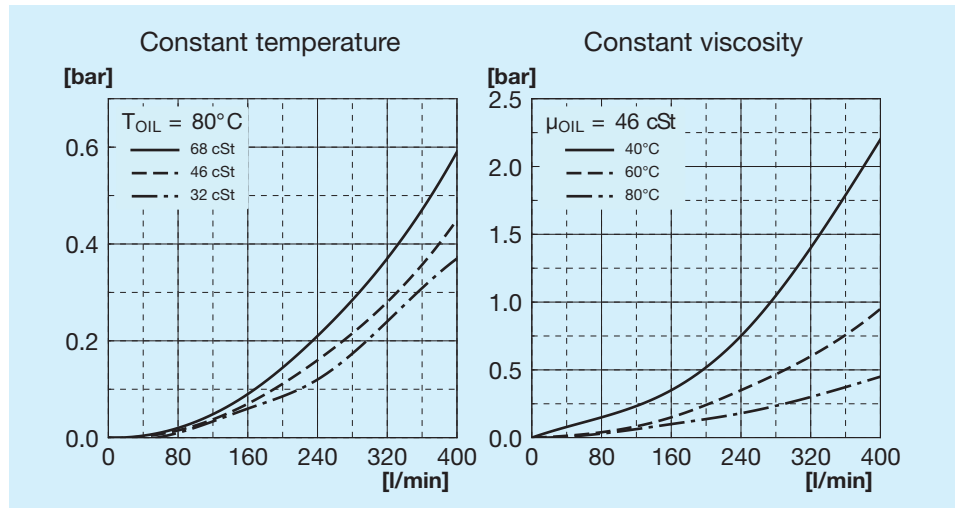


Code	Description	Ø Fan mm	Motor displace- ment cm ³ /h	L Max mm	H mm	Weight Kg	Capacity l
FR634273103	A106 IA SETT.GR2 bypass T15 V.T. 6 bar 50°C	690	-	370	809	80	32
FR634273104	A106 IS SETT.GR2 bypass T15 V.T. 6 bar 50°C	690	-	370	809	80	32
FR634271003	A106 IA SETT.GR2 bypass T15 VNR 4.5 bar	690	-	370	771	80	32
FR634271004	A106 IS SETT.GR2 bypass T15 VNR 4.5 bar	690	-	370	771	80	32
FR634273113	A106 IA HYDR.MOT. GR2 bypass T15 V.T. 6 bar 50°C	690	11	430	809	81	32
FR634273114	A106 IS HYDR.MOT. GR2 bypass T15 V.T. 6 bar 50°C	690	11	430	809	81	32
FR634271013	A106 IA HYDR.MOT. GR2 bypass T15 VNR 4.5 bar	690	11	430	771	81	32
FR634271014	A106 IS HYDR.MOT. GR2 bypass T15 VNR 4.5 bar	690	11	430	771	81	32
FR634270003	A106 IA SETT.GR2	690	-	370	770	80	32
FR634270004	A106 IS SETT.GR2	690	-	370	770	80	32
FR634270013	A106 IA HYDR.MOT. GR2	690	11	430	770	81	32
FR634270014	A106 IS HYDR.MOT. GR2	690	11	430	770	81	32

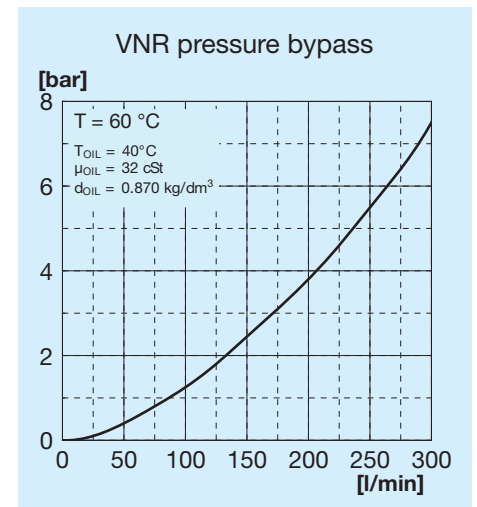
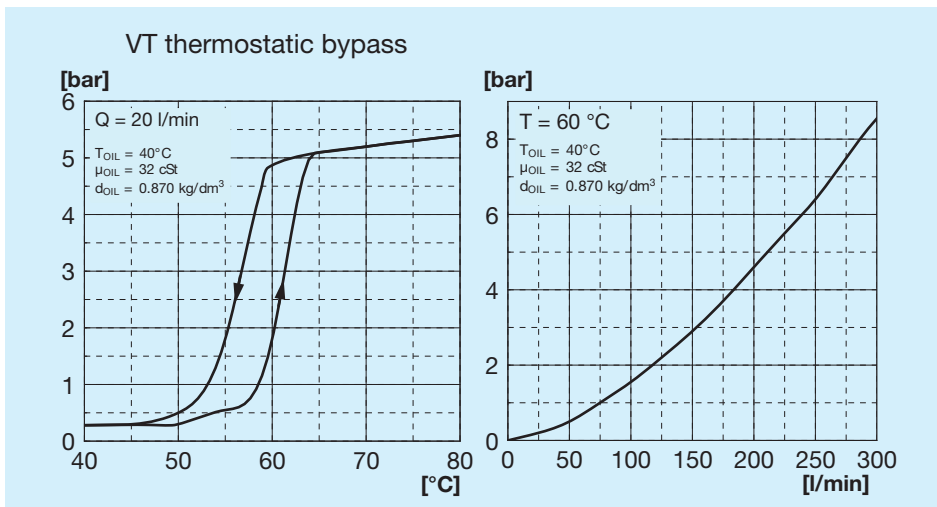
Heat exchange (thermal) capacity



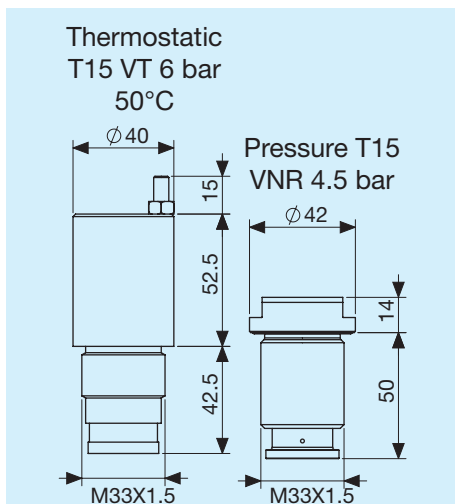
Radiator passage pressure drop



Bypass passage load loss



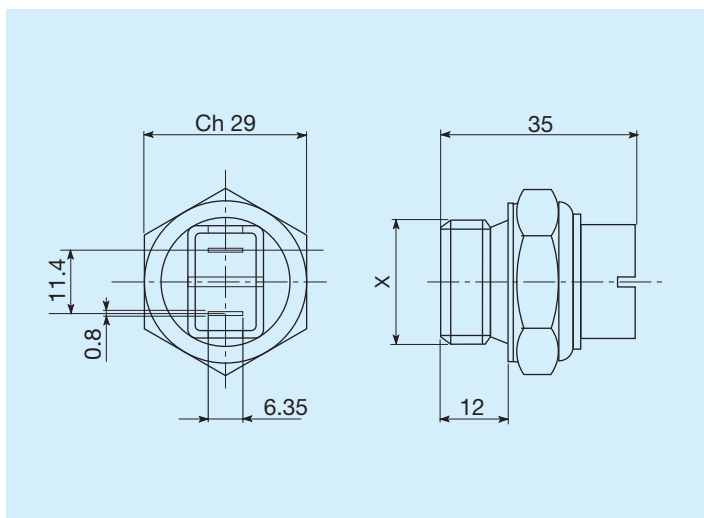
Bypass valves



Legend

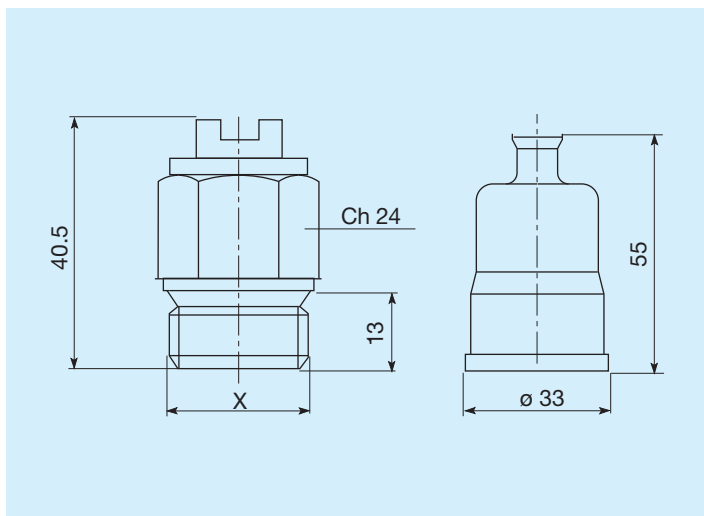
A106	Exchanger type
IA	Hydraulic aspirating
IS	Hydraulic blowing
SETT.	With motor mounting
HYD. MOT.	With integrated motor mounting
GR1	Group 1
GR2	Group 2
T15 VT	Thermostatic bypass valve 6 bar 50°C
T15 VNR	Pressure bypass valve at 4.5 bar

Thermostats



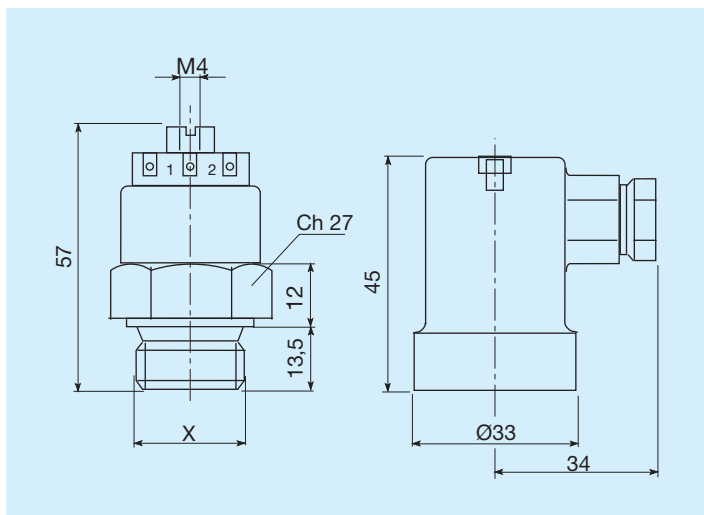
Trigger temperature C°	Threading	Code
45 - 35	M22x1.5	FR361104535R
60 - 50	M22x1.5	FR361106050R
80 - 70	M22x1.5	FR361108070R
82 - 68	M22x1.5	FR361108268R
85 - 76	M22x1.5	FR361108576R

IP54 protected thermal switch



Trigger temperature C°	Threading	Code
45 - 35	M22x1.5	FR361124535R
50 - 40	M22x1.5	FR361125040R
60 - 50	M22x1.5	FR361126050R
70 - 60	M22x1.5	FR361127060R
80 - 70	M22x1.5	FR361128070R

IP65 protected thermal switch



Trigger temperature C°	Threading	Code
45 - 35	M22x1.5	FR361154535R
47 - 36	M22x1.5	FR361155040R
60 - 50	M22x1.5	FR361156050R
80 - 70	M22x1.5	FR361158070R