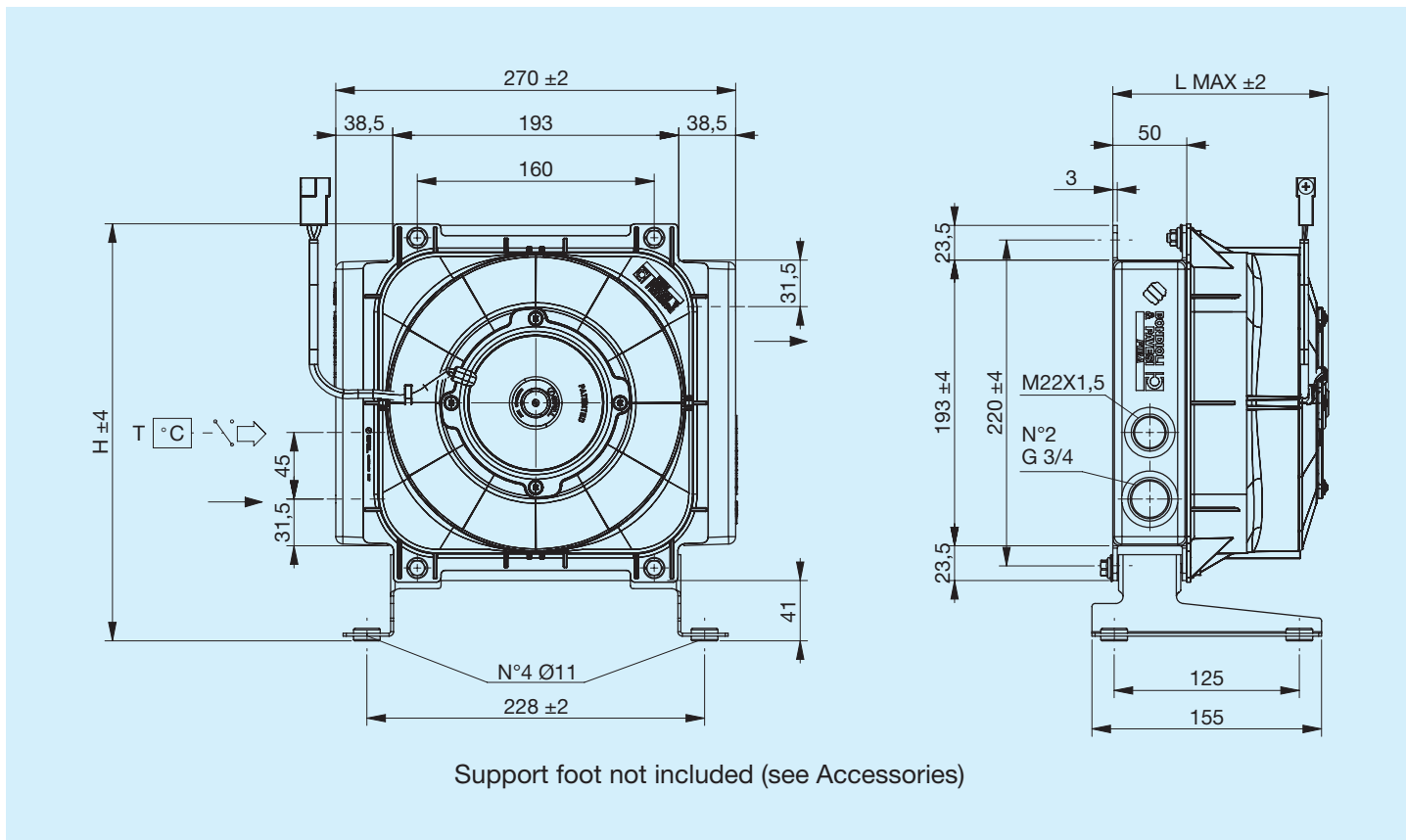


# A15 ECO



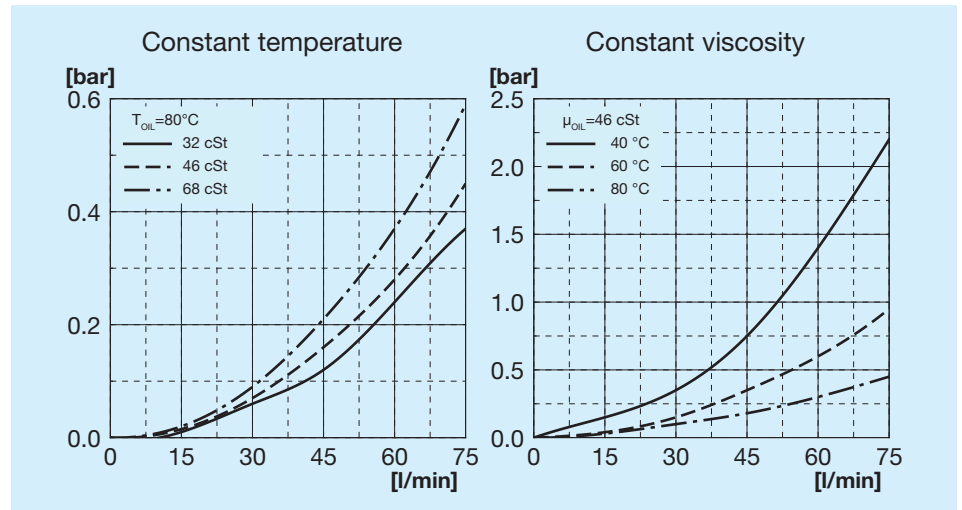
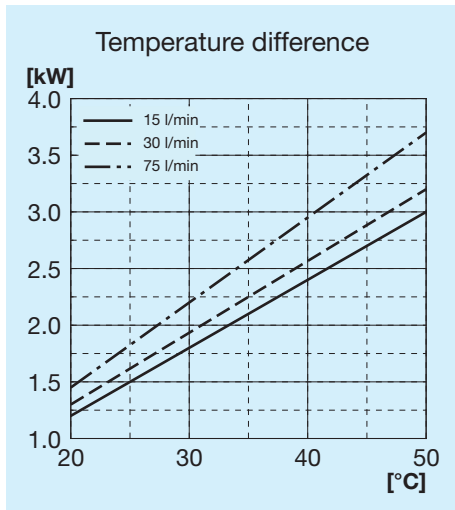
Before using the heat exchanger, carefully read the document entitled GENERAL INSTRUCTIONS FOR HEAT EXCHANGER USE.



Code	Description	Ø Fan mm	Air flow rate m³/h	Voltage V	Current A	L Max mm	H mm	Weight Kg	Capacity l
FR633020007	A15 1EA 12V ECO	190	600	12	4,5	145	282	4,5	1
FR633020008	A15 1ES 12V ECO	190	570	12	4,6	145	282	4,5	1
FR633020019	A15 1EA 24V ECO	190	650	24	2,9	145	282	4,5	1
FR633020020	A15 1ES 24V ECO	190	640	24	2,7	145	282	4,5	1

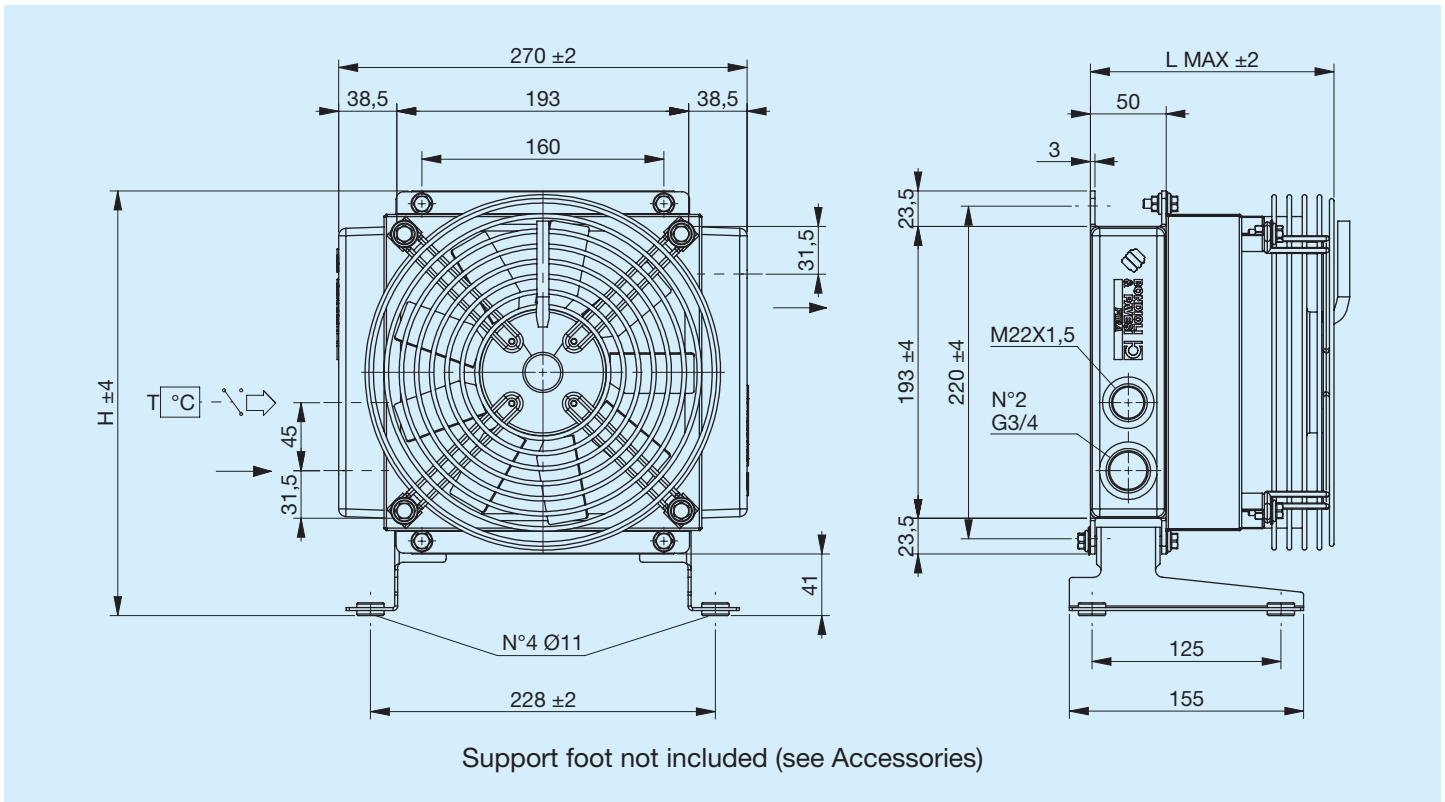
Heat exchange (thermal) capacity

Radiator passage pressure drop



## Legend

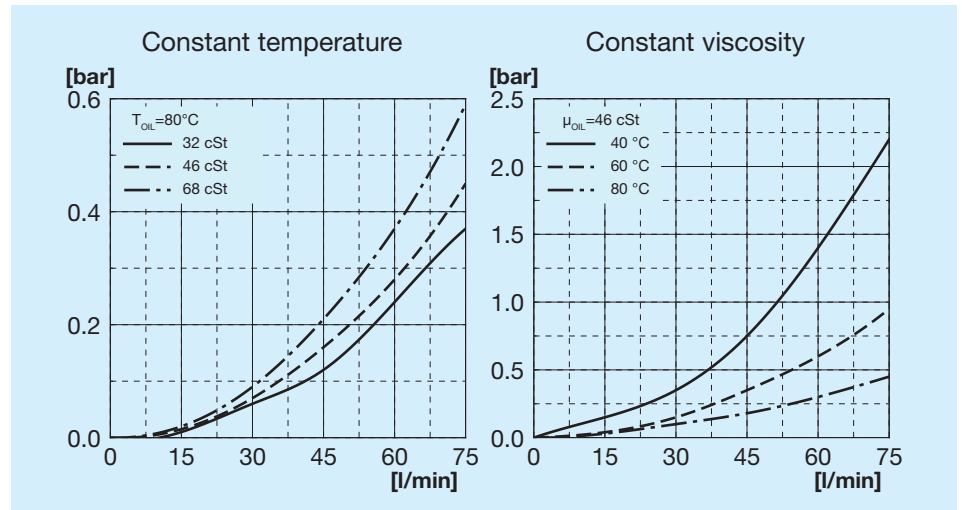
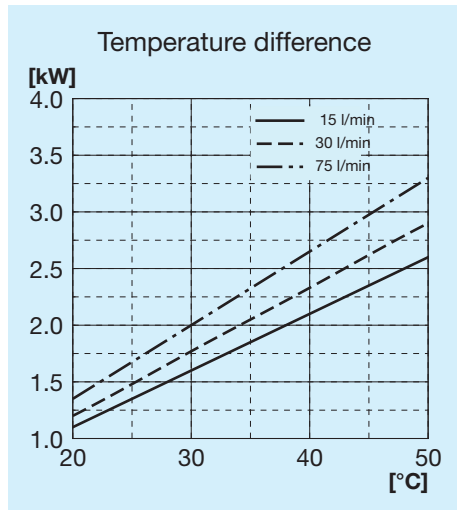
A15 ECO	Exchanger type
1E	1 Fan unit
A	Aspirating
S	Blowing
AP	High power aspirating
SP	High power blower
AX	Extra high power aspirating
SX	Extra high power blower
12V	Fan unit voltage
24V	Fan unit voltage



Code	Description	Ø Fan mm	Power W	Frequen- cy Hz	Speed min <sup>-1</sup>	Pro- tection IP	L Max mm	H mm	Weight Kg	Capacity l
FR633020034	A15 1EA 230V ECO	200	70	50 60	2600 2900	44	162	282	4,5	1
FR633020035	A15 1ES 230V ECO	200	70	50 60	2600 2900	44	162	282	4,5	1
FR633020036	A15 1EA 400V ECO	200	78	50 60	2600 2900	44	162	282	4,5	1
FR633020037	A15 1ES 400V ECO	200	78	50 60	2600 2900	44	162	282	4,5	1

Heat exchange (thermal) capacity

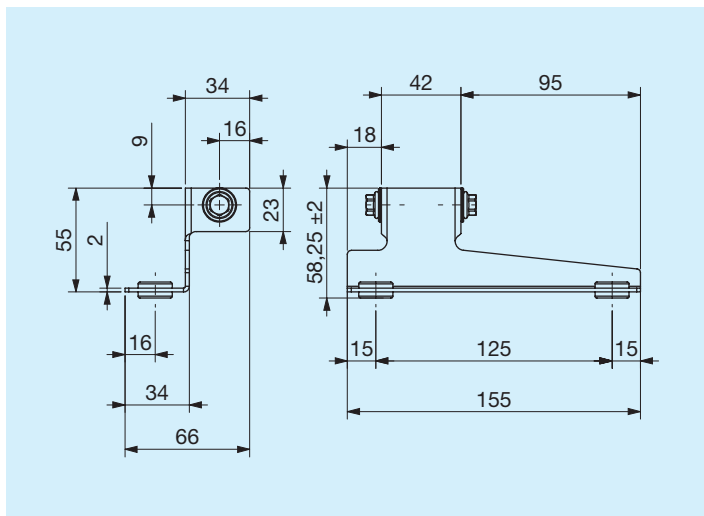
Radiator passage pressure drop



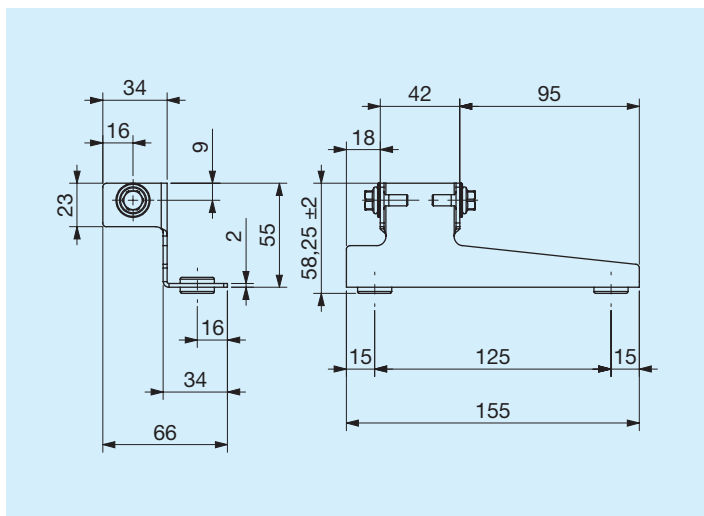
## Legend

A15 ECO	Exchanger type
1E	1 Fan unit
A	Aspirating
S	Blowing
230V	Fan unit voltage
400V	Fan unit voltage

## Left supporting foot

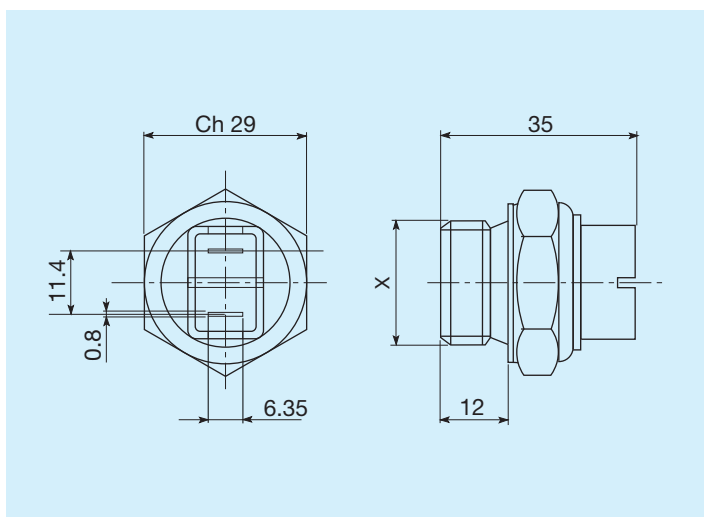


Code	
Left supporting foot	FR290000005R



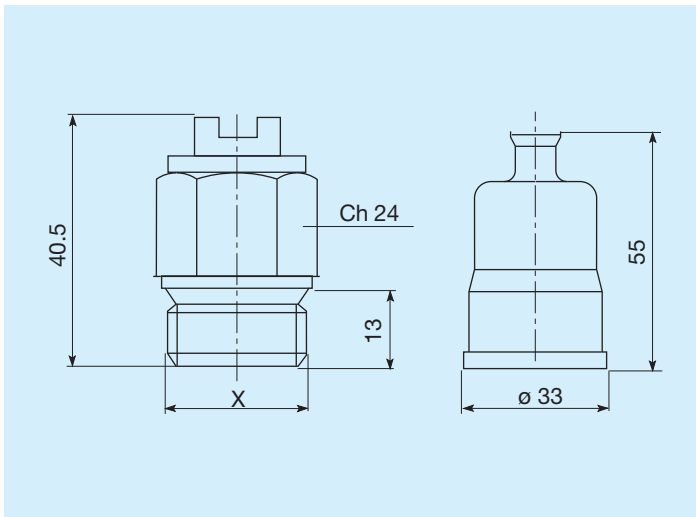
Code	
Right supporting foot	FR290000006R

## Thermostats



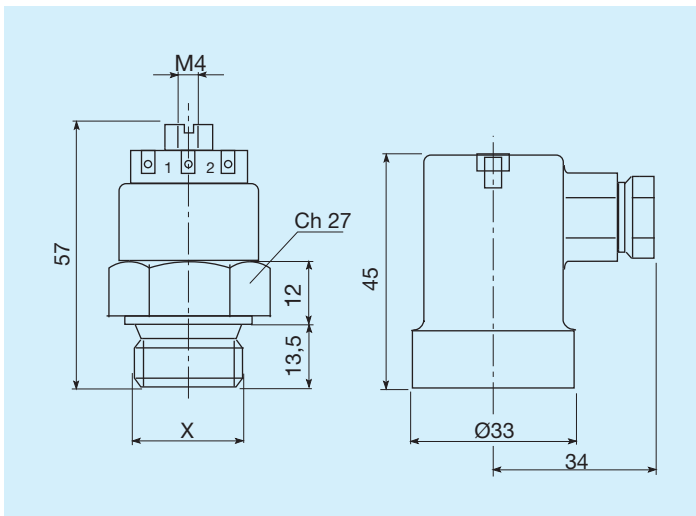
Trigger temperature C°	Threading	Code
45 - 35	M22x1.5	FR361104535R
60 - 50	M22x1.5	FR361106050R
80 - 70	M22x1.5	FR361108070R
82 - 68	M22x1.5	FR361108268R
85 - 76	M22x1.5	FR361108576R

## IP54 protected thermal switch



Trigger temperature C°	Threading	Code
45 - 35	M22x1.5	FR361124535R
50 - 40	M22x1.5	FR361125040R
60 - 50	M22x1.5	FR361126050R
70 - 60	M22x1.5	FR361127060R
80 - 70	M22x1.5	FR361128070R

## IP65 protected thermal switch



Trigger temperature C°	Threading	Code
45 - 35	M22x1.5	FR361154535R
47 - 36	M22x1.5	FR361155040R
60 - 50	M22x1.5	FR361156050R
80 - 70	M22x1.5	FR361158070R