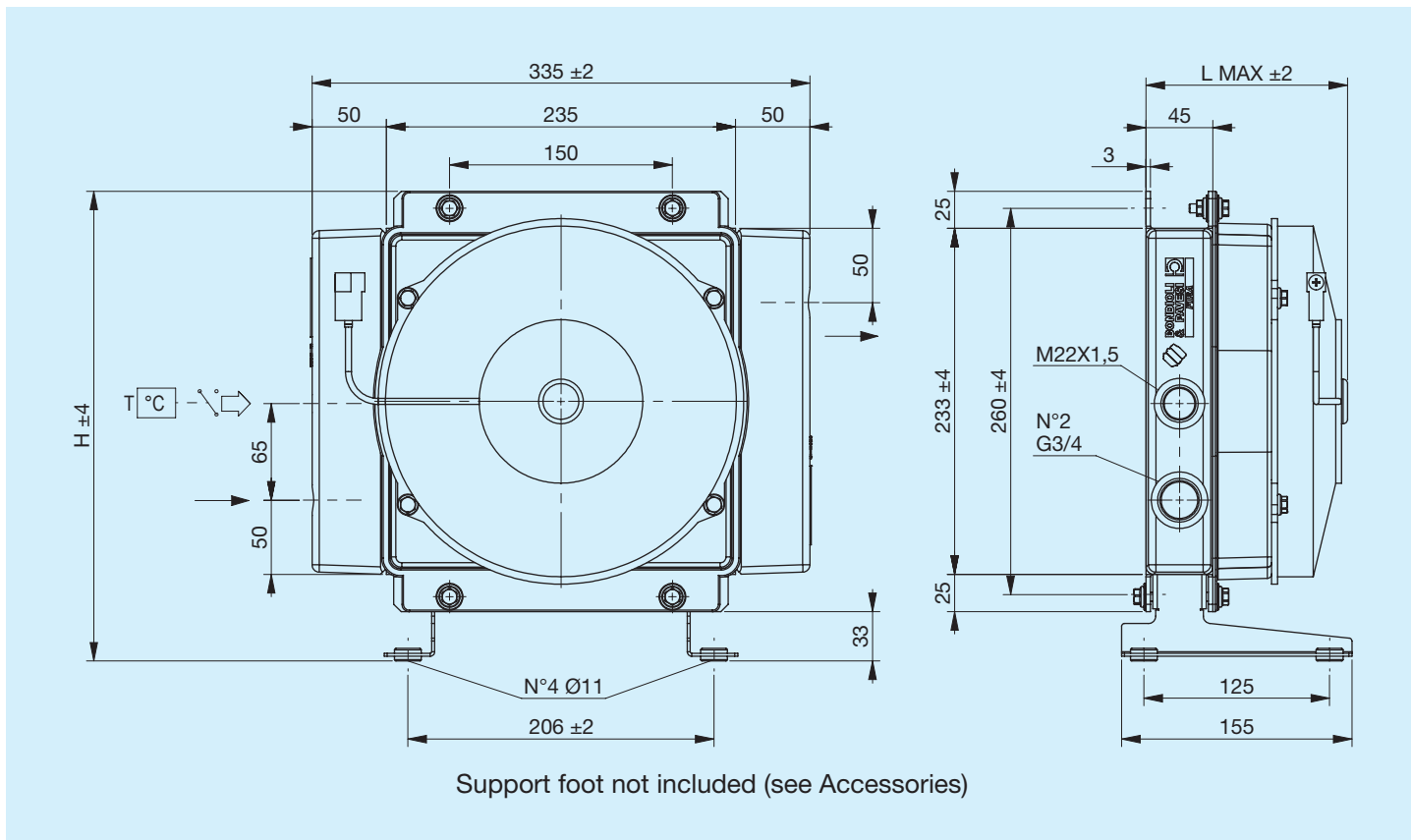


A20 ECO



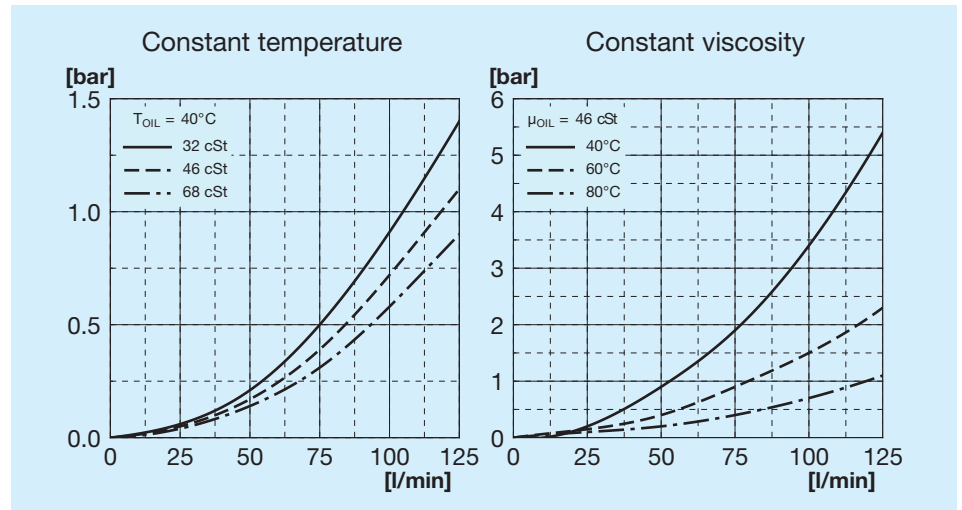
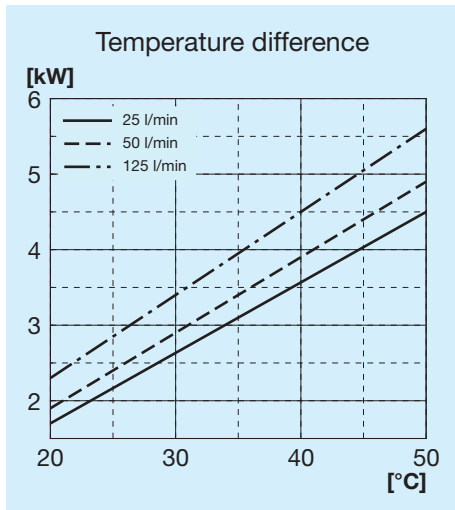
Before using the heat exchanger, carefully read the document entitled GENERAL INSTRUCTIONS FOR HEAT EXCHANGER USE.



Code	Description	Ø Fan mm	Air flow rate m³/h	Voltage V	Current A	L Max mm	H mm	Weight Kg	Capacity l
FR633030010	A20 1EAP 12V ECO	225	920	12	7,4	140	318	4.7	1,45
FR633030011	A20 1ESP 12V ECO	225	1070	12	8,4	140	318	4.7	1,45
FR633030023	A20 1EAP 24V ECO	225	980	24	4,1	140	318	4.7	1,45
FR633030024	A20 1ESP 24V ECO	225	1100	24	4.3	140	318	4.7	1,45

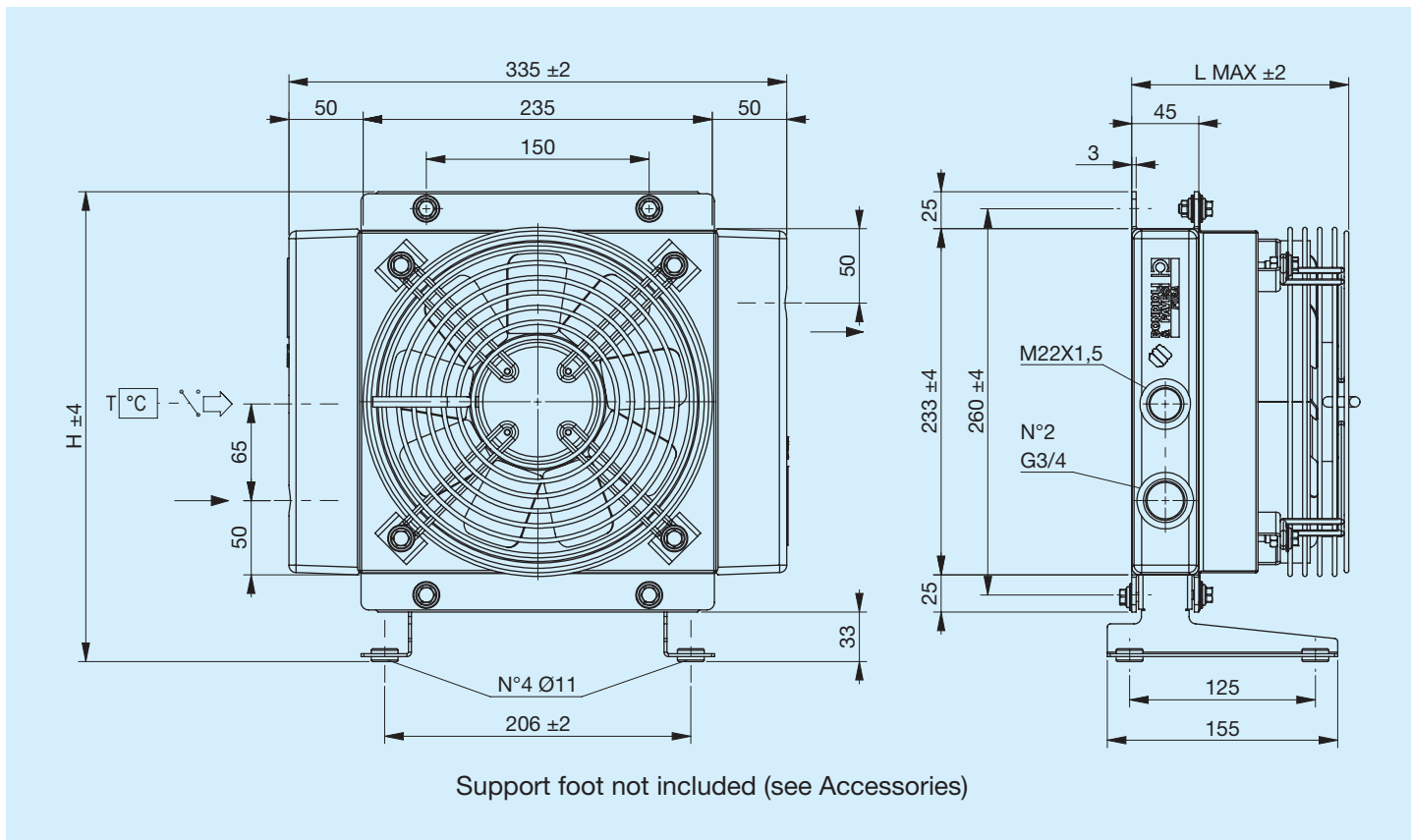
Heat exchange (thermal) capacity

Radiator passage pressure drop



Legend

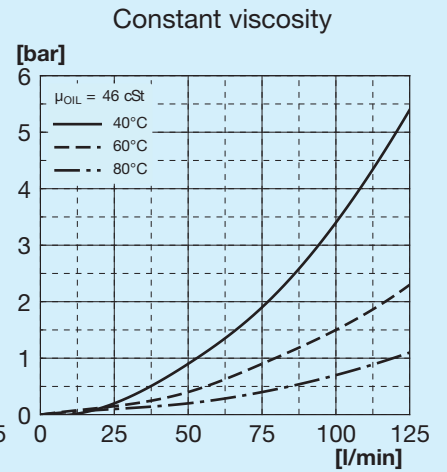
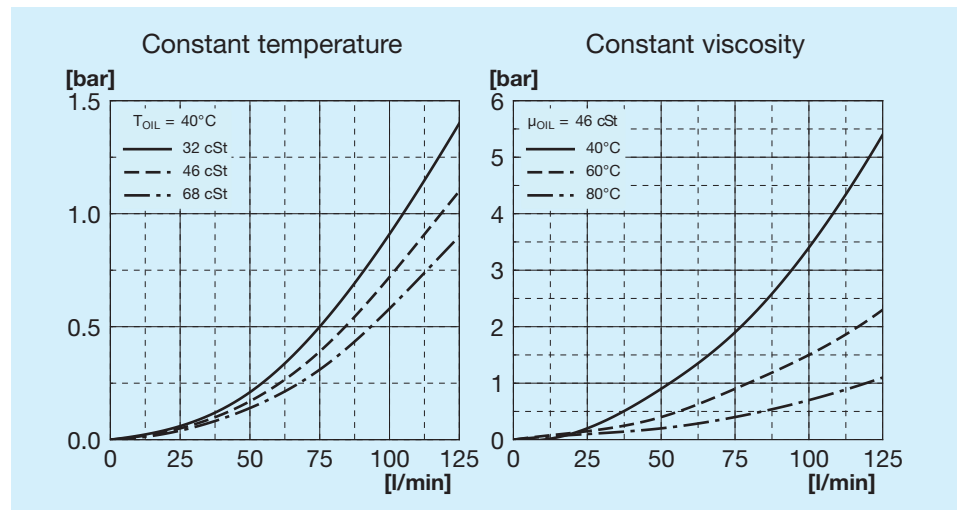
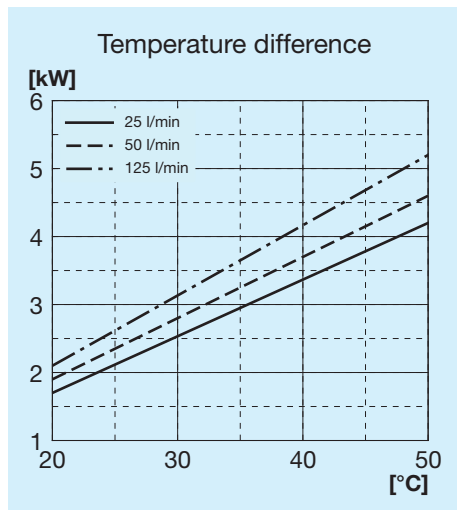
A20 ECO	Exchanger type
1E	1 Fan unit
A	Aspirating
S	Blowing
AP	High power aspirating
SP	High power blower
AX	Extra high power aspirating
SX	Extra high power blower
12V	Fan unit voltage
24V	Fan unit voltage



Code	Description	Ø Fan mm	Power W	Frequen- cy Hz	Speed min ⁻¹	Pro- tection IP	L Max mm	H mm	Weight Kg	Capacity l
FR633030034	A20 1EA 230V ECO	200	78	50 60	2600 2900	44	146	318	7	1.45
FR633030035	A20 1ES 230V ECO	200	78	50 60	2600 2900	44	146	318	7	1.45
FR633030036	A20 1EA 400V ECO	200	70	50 60	2600 2900	44	146	318	7	1.45
FR633030037	A20 1ES 400V ECO	200	70	50 60	2600 2900	44	146	318	7	1.45

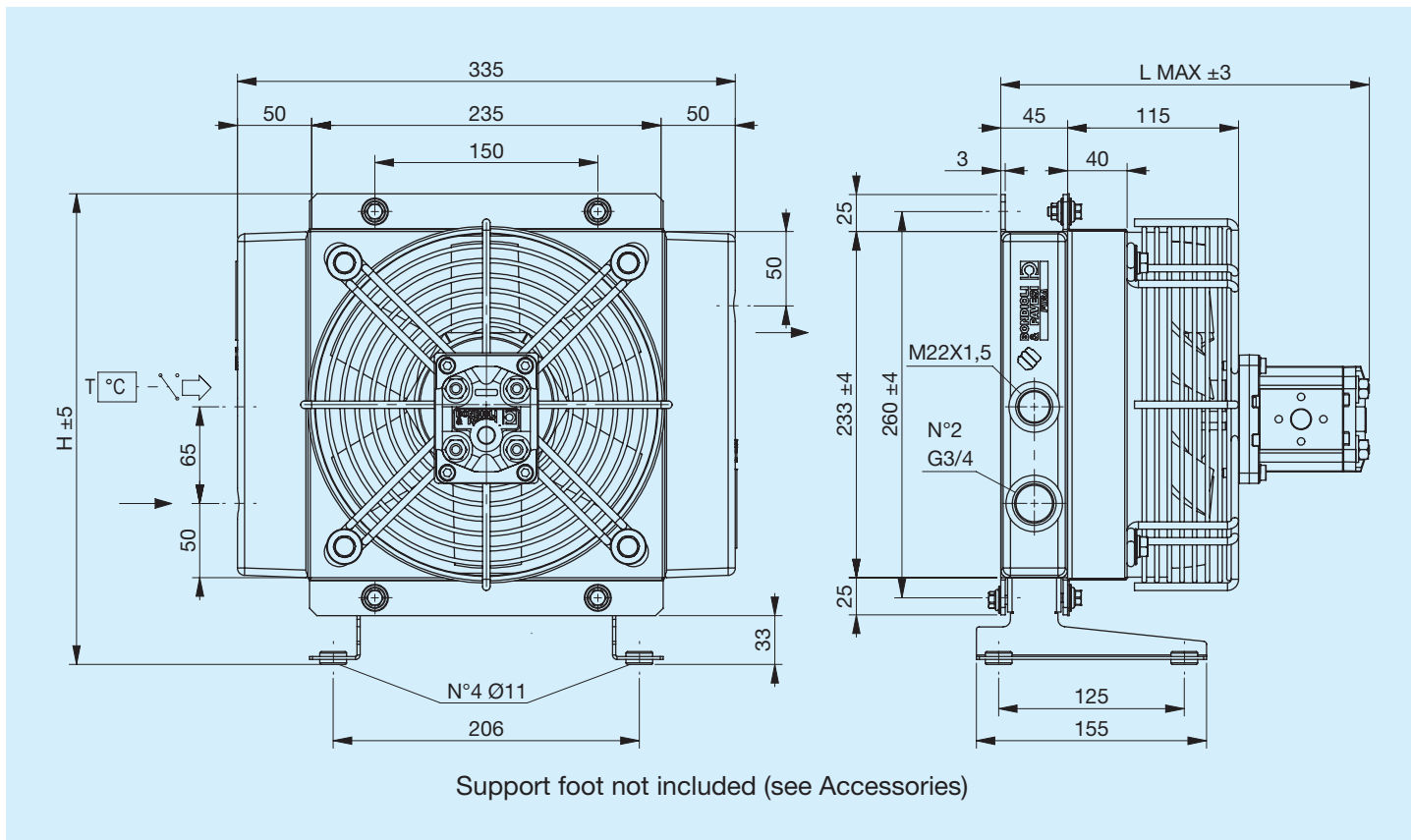
Heat exchange (thermal) capacity

Radiator passage pressure drop



Legend

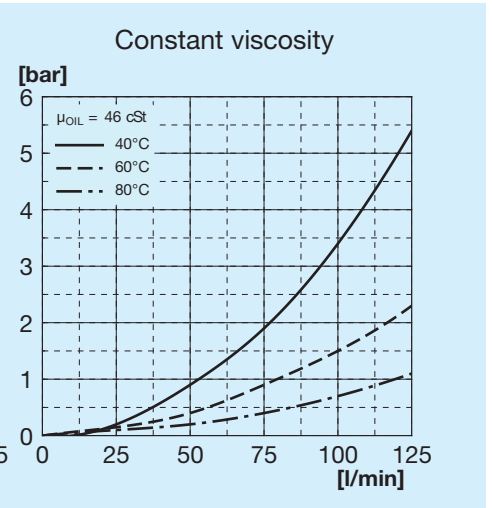
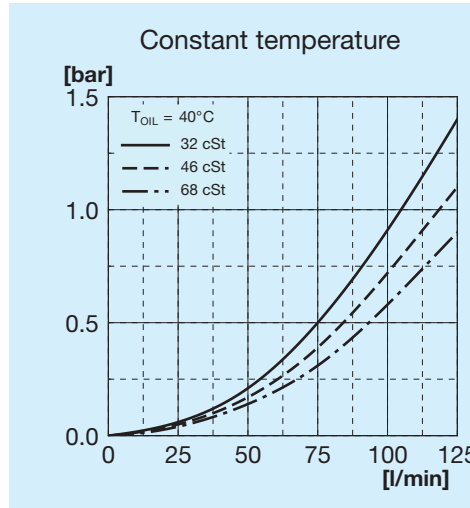
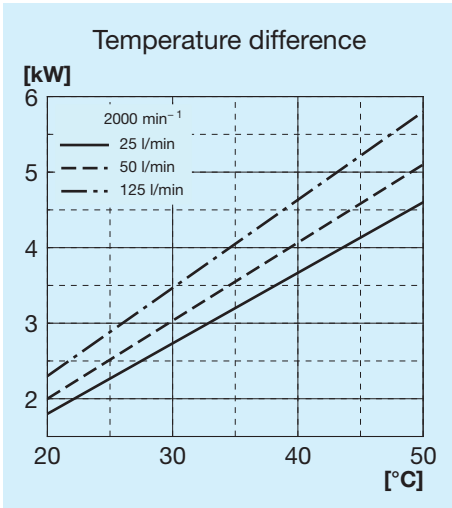
A20 ECO	Exchanger type
1E	1 Fan unit
A	Aspirating
S	Blowing
230V	Fan unit voltage
400V	Fan unit voltage



Code	Description	Ø Fan mm	Motor displace- ment cm ³ /h	L Max mm	H mm	Weight Kg	Capacity l
FR634030009	A20 IA MOT.IDR. GR1 ECO	220	6	250	316	7	1,45
FR634030010	A20 IS MOT.IDR. GR1 ECO	220	6	250	316	7	1.45

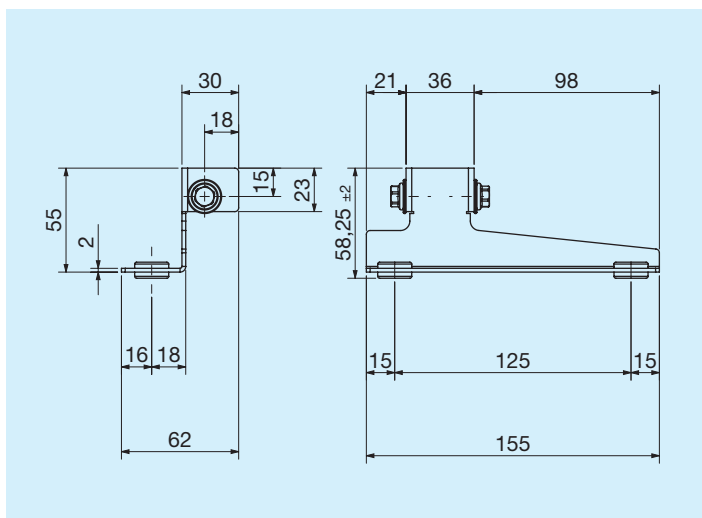
Heat exchange (thermal) capacity

Radiator passage pressure drop

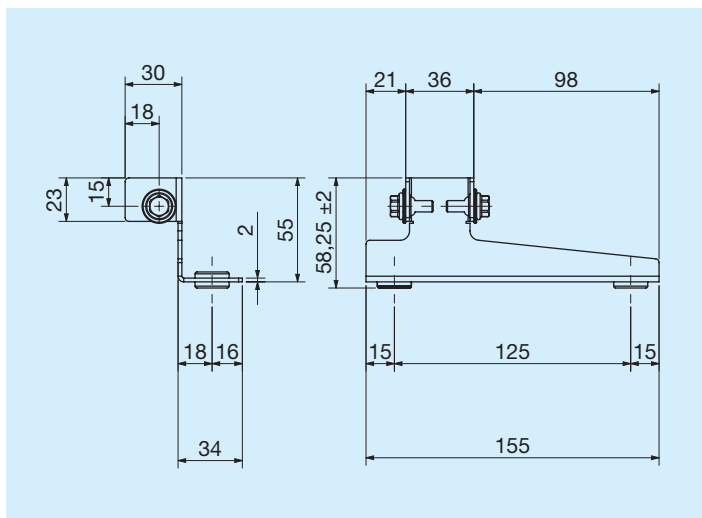


Legend

A20 ECO	Exchanger type
IA	Hydraulic aspirating
IS	Hydraulic blowing
SETT.	With motor mounting
HYD. MOT.	With integrated motor mounting
GR1	Group 1
GR2	Group 2

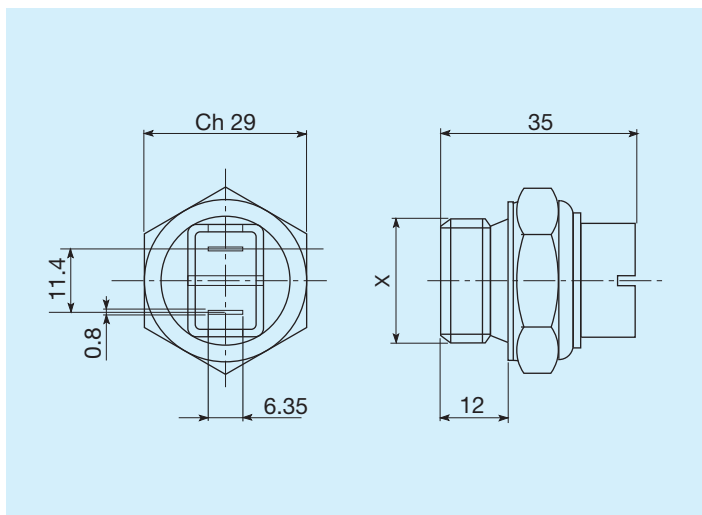


Code	
Left supporting foot	FR290000019R



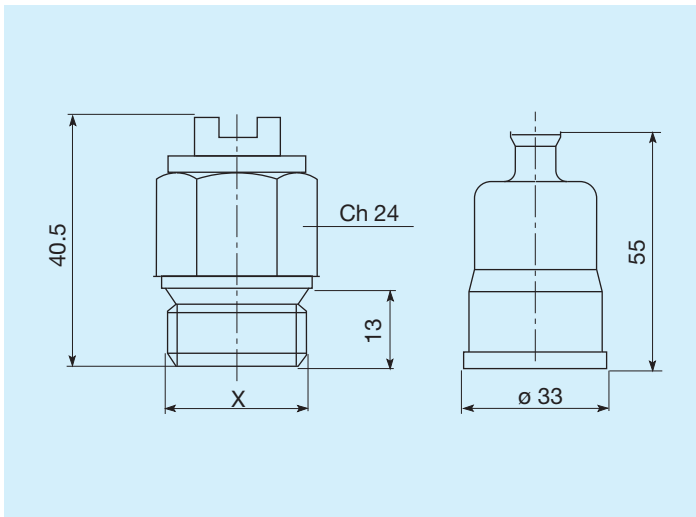
Code	
Right supporting foot	FR290000020R

Thermostats



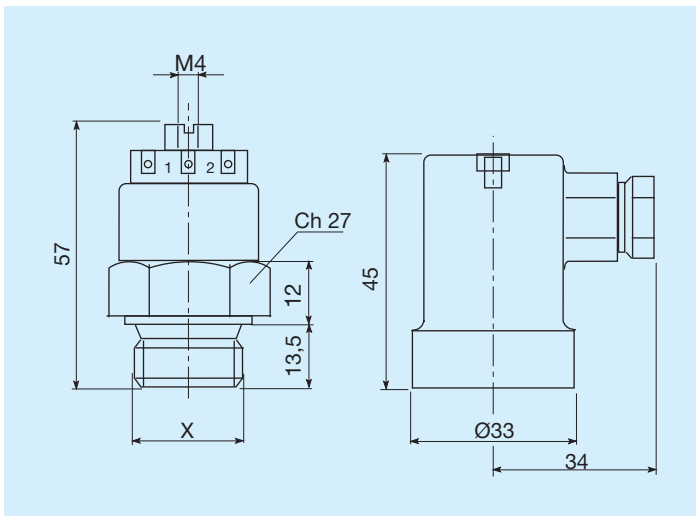
Trigger temperature C°	Threading	Code
45 - 35	M22x1.5	FR361104535R
60 - 50	M22x1.5	FR361106050R
80 - 70	M22x1.5	FR361108070R
82 - 68	M22x1.5	FR361108268R
85 - 76	M22x1.5	FR361108576R

IP54 protected thermal switch



Trigger temperature C°	Threading	Code
45 - 35	M22x1.5	FR361124535R
50 - 40	M22x1.5	FR361125040R
60 - 50	M22x1.5	FR361126050R
70 - 60	M22x1.5	FR361127060R
80 - 70	M22x1.5	FR361128070R

IP65 protected thermal switch



Trigger temperature C°	Threading	Code
45 - 35	M22x1.5	FR361154535R
47 - 36	M22x1.5	FR361155040R
60 - 50	M22x1.5	FR361156050R
80 - 70	M22x1.5	FR361158070R