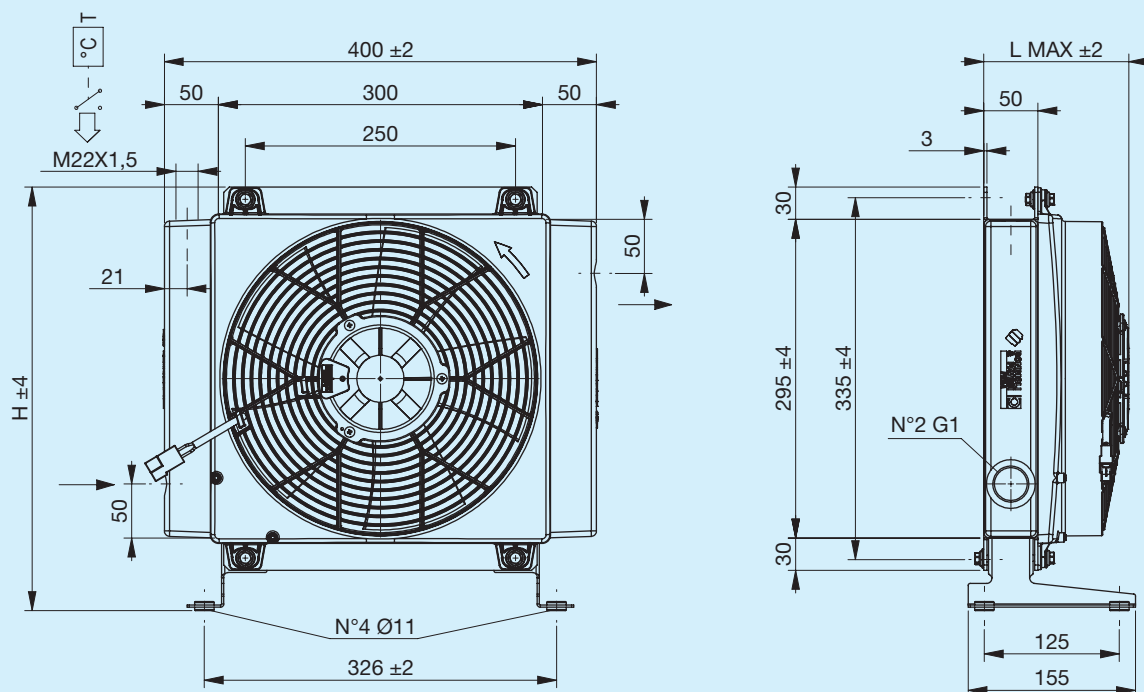


A25 ECO



Before using the heat exchanger, carefully read the document entitled GENERAL INSTRUCTIONS FOR HEAT EXCHANGER USE.

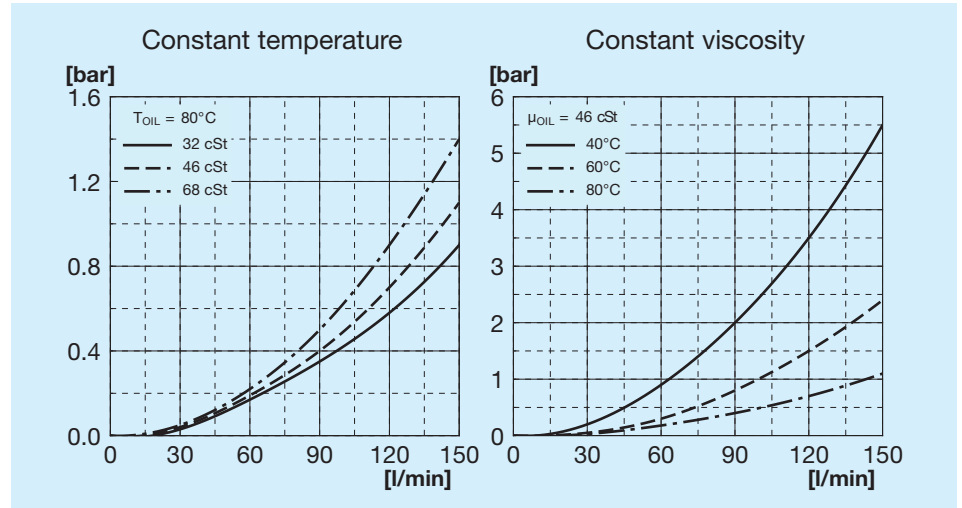
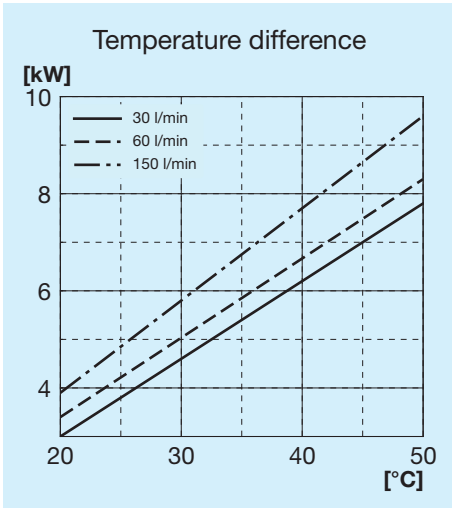


Support foot not included (see Accessories)

Code	Description	Fan mm	Air flow rate m ³ /h	Voltage V	Current A	L Max mm	H mm	Weight Kg	Capacity l
FR633040039	A25 1EAP 12V ECO	280	1570	12	6,9	140	395	7	2.3
FR633040040	A25 1ESP 12V ECO	280	1480	12	6.3	140	395	7	2.3
FR633040041	A25 1EAP 24V ECO	280	1580	24	3.5	140	395	7	2.3
FR633040042	A25 1ESP 24V ECO	280	1520	24	3,3	140	395	7	2.3

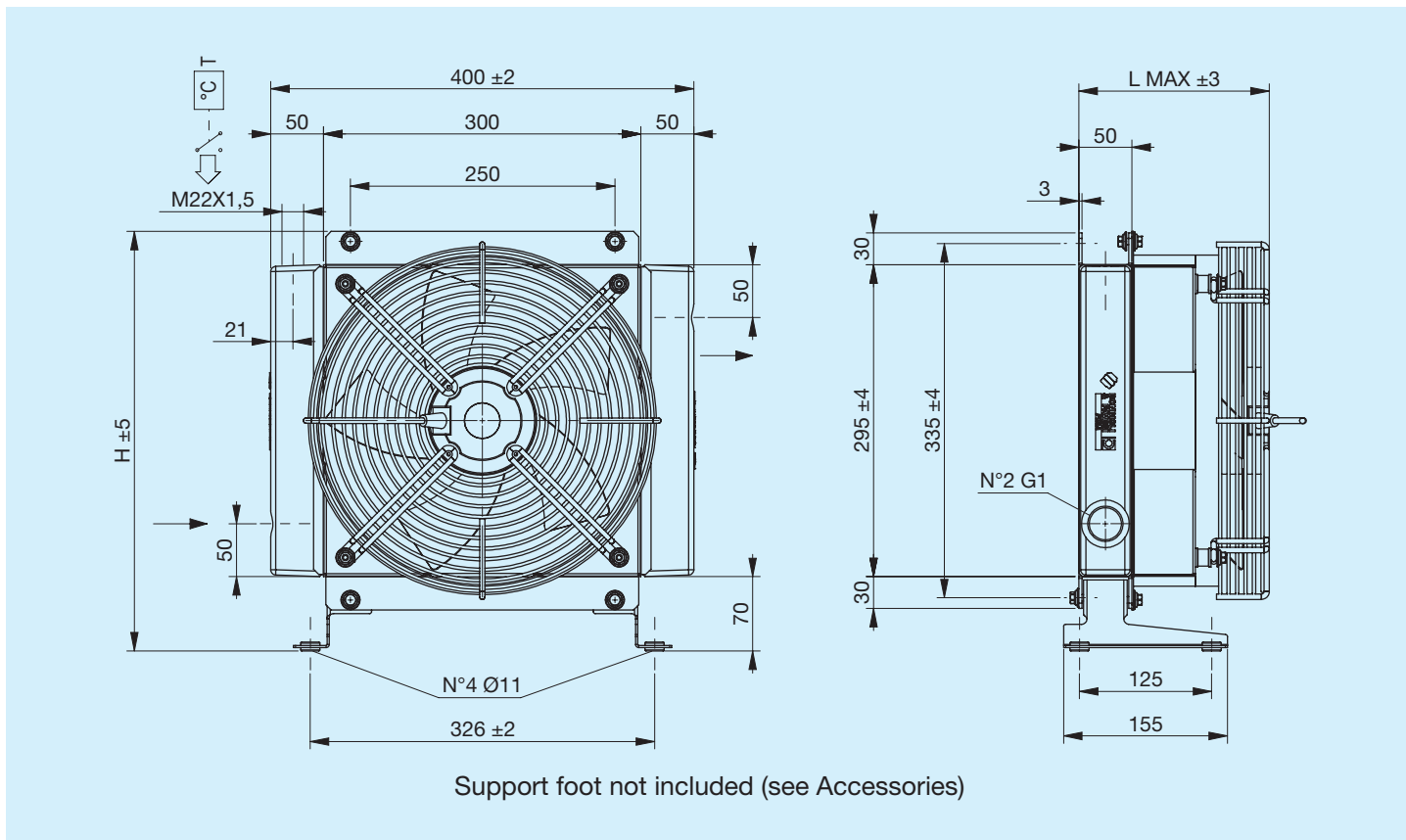
Heat exchange (thermal) capacity

Radiator passage pressure drop



Legend

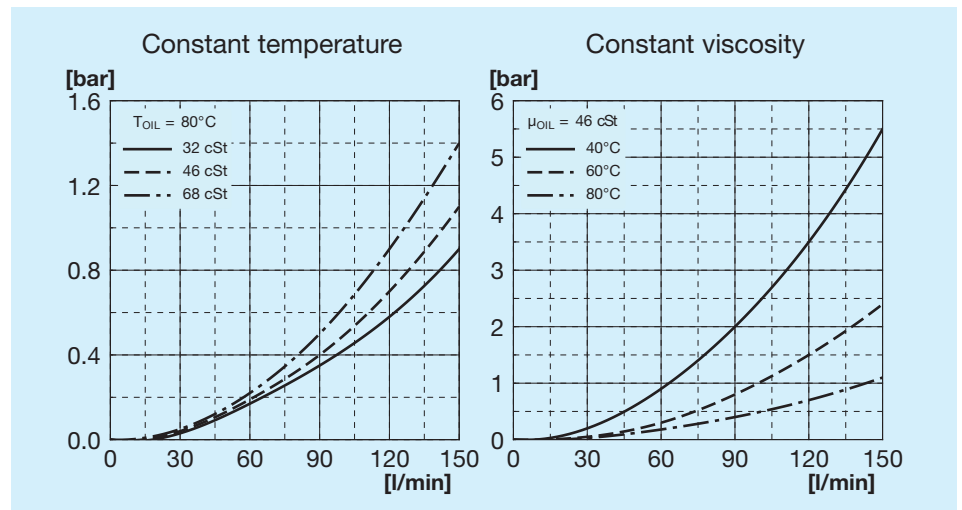
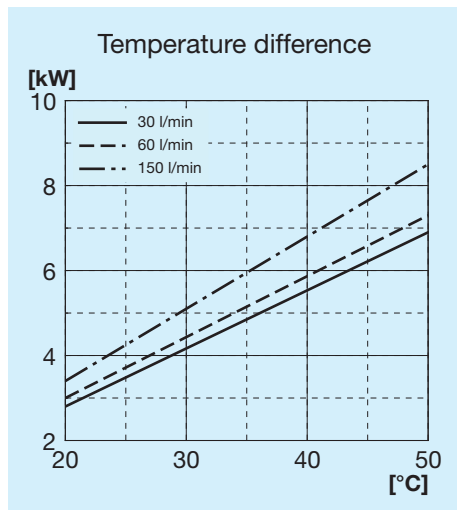
A25 ECO	Exchanger type
1E	1 Fan unit
A	Aspirating
S	Blowing
AP	High power aspirating
SP	High power blower
AX	Extra high power aspirating
SX	Extra high power blower
12V	Fan unit voltage
24V	Fan unit voltage



Code	Description	Ø Fan mm	Power W	Frequen- cy Hz	Speed min ⁻¹	Pro- tection IP	L Max mm	H mm	Weight Kg	Capacity l
FR633040043	A25 1EA 230V ECO	300	350	50 60	2600 2850	44	180	395	7	2.3
FR633040044	A25 1ES 230V ECO	300	350	50 60	2600 2850	44	180	395	7	2.3
FR633040023	A25 1EA 400V ECO	300	350	50 60	2700 3000	44	180	395	7	2.3

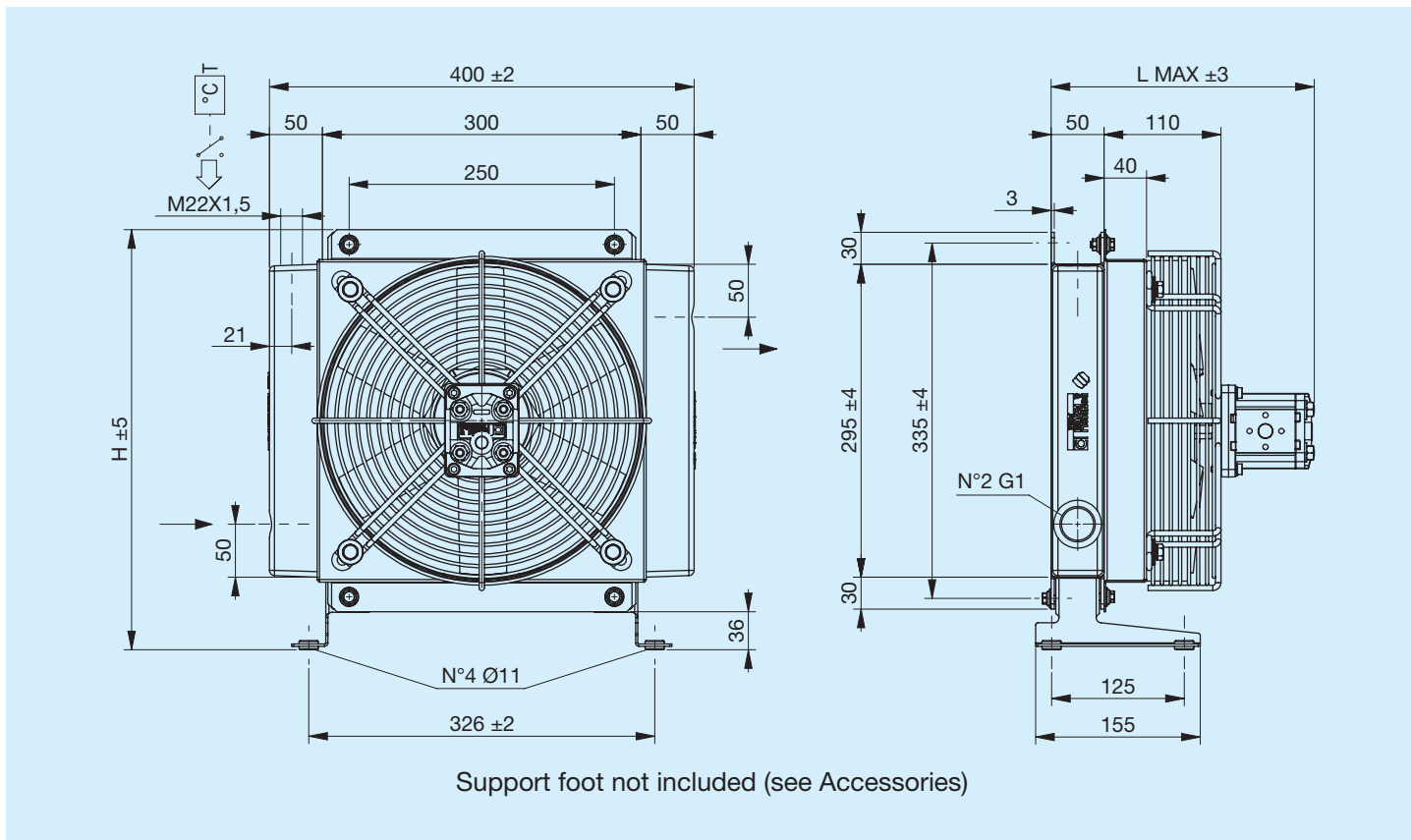
Heat exchange (thermal) capacity

Radiator passage pressure drop



Legend

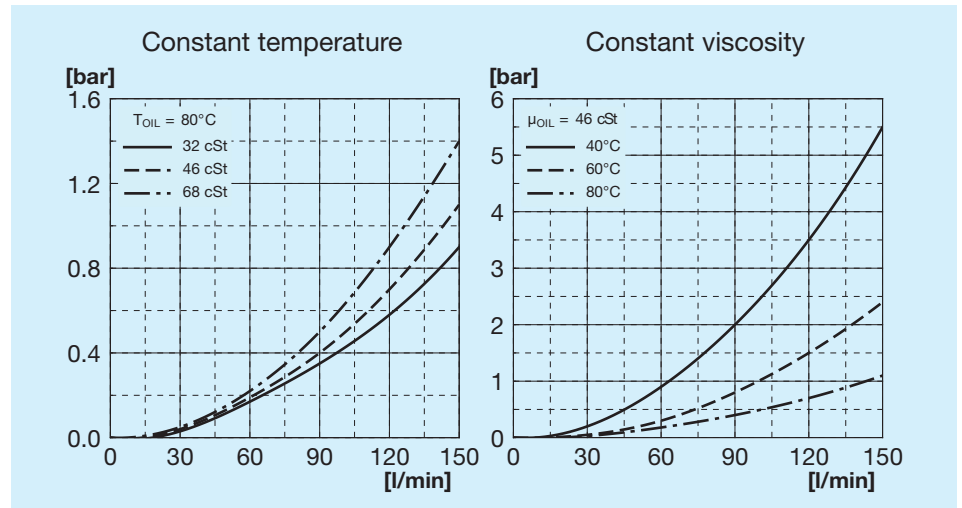
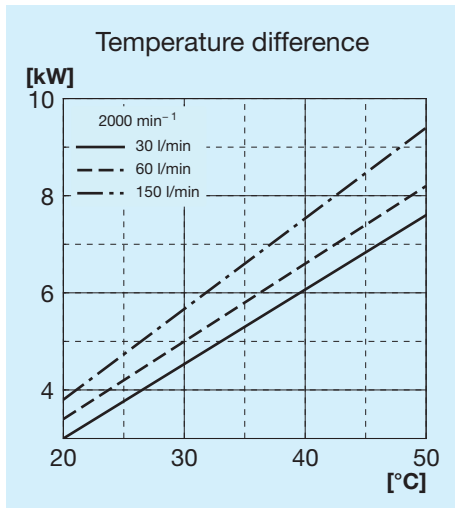
A25 ECO	Exchanger type
1E	1 Fan unit
A	Aspirating
S	Blowing
230V	Fan unit voltage
400V	Fan unit voltage



Code	Description	Ø Fan mm	Motor displace- ment cm ³ /h	L Max mm	H mm	Weight Kg	Capacity l
FR634040009	A25 IA HYDR.MOT. GR1 ECO	290	6	250	395	10	2.3
FR634040010	A25 IS HYDR.MOT. GR1 ECO	290	6	250	395	10	2.3

Heat exchange (thermal) capacity

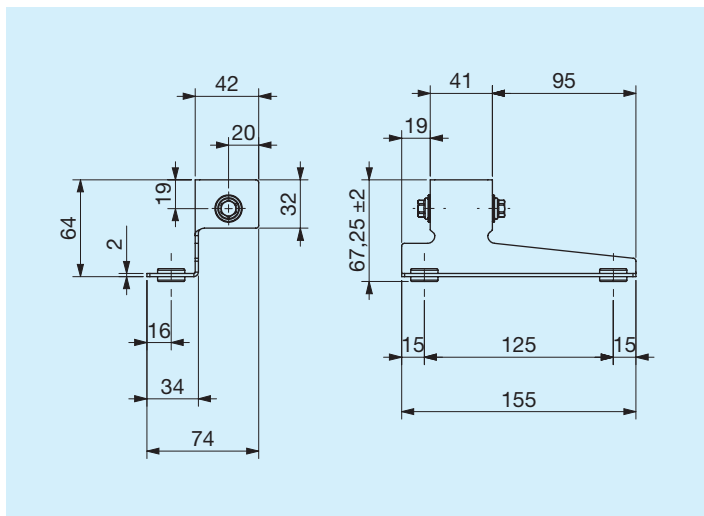
Radiator passage pressure drop



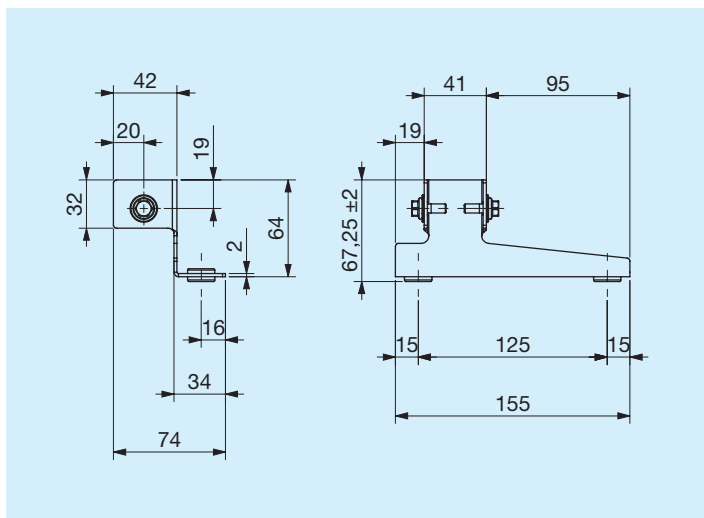
Legend

A25 ECO	Exchanger type
IA	Hydraulic aspirating
IS	Hydraulic blowing
SETT.	With motor mounting
HYD. MOT.	With integrated motor mounting
GR1	Group 1
GR2	Group 2

Left supporting foot

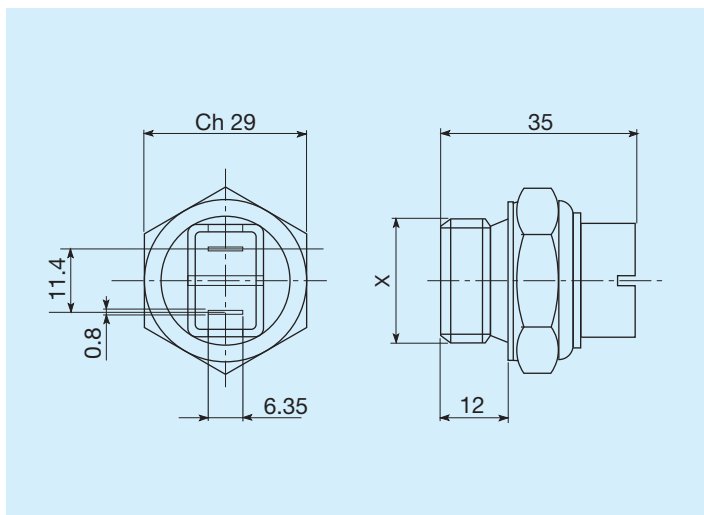


Code	
Left supporting foot	FR290000007R



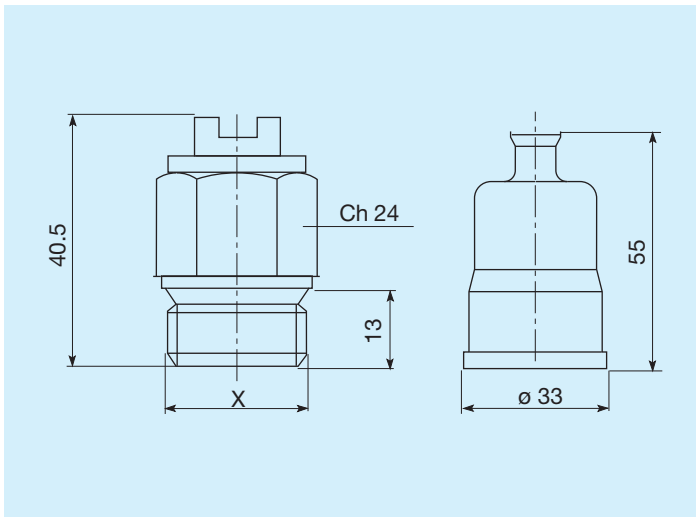
Code	
Right supporting foot	FR290000008R

Thermostats



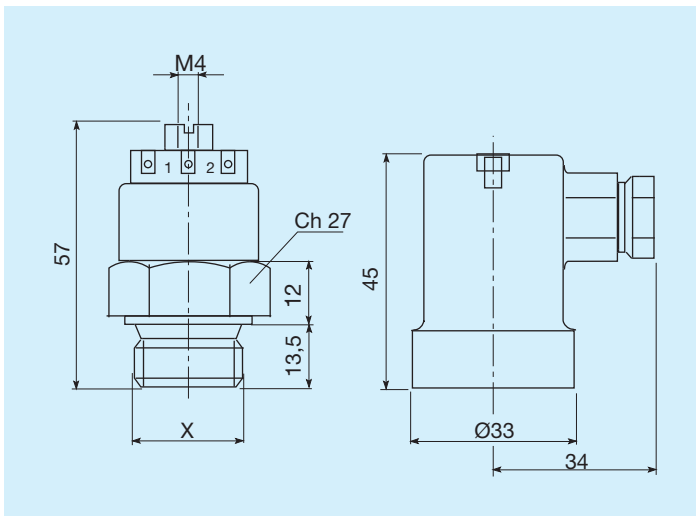
Trigger temperature C°	Threading	Code
45 - 35	M22x1.5	FR361104535R
60 - 50	M22x1.5	FR361106050R
80 - 70	M22x1.5	FR361108070R
82 - 68	M22x1.5	FR361108268R
85 - 76	M22x1.5	FR361108576R

IP54 protected thermal switch



Trigger temperature C°	Threading	Code
45 - 35	M22x1.5	FR361124535R
50 - 40	M22x1.5	FR361125040R
60 - 50	M22x1.5	FR361126050R
70 - 60	M22x1.5	FR361127060R
80 - 70	M22x1.5	FR361128070R

IP65 protected thermal switch



Trigger temperature C°	Threading	Code
45 - 35	M22x1.5	FR361154535R
47 - 36	M22x1.5	FR361155040R
60 - 50	M22x1.5	FR361156050R
80 - 70	M22x1.5	FR361158070R