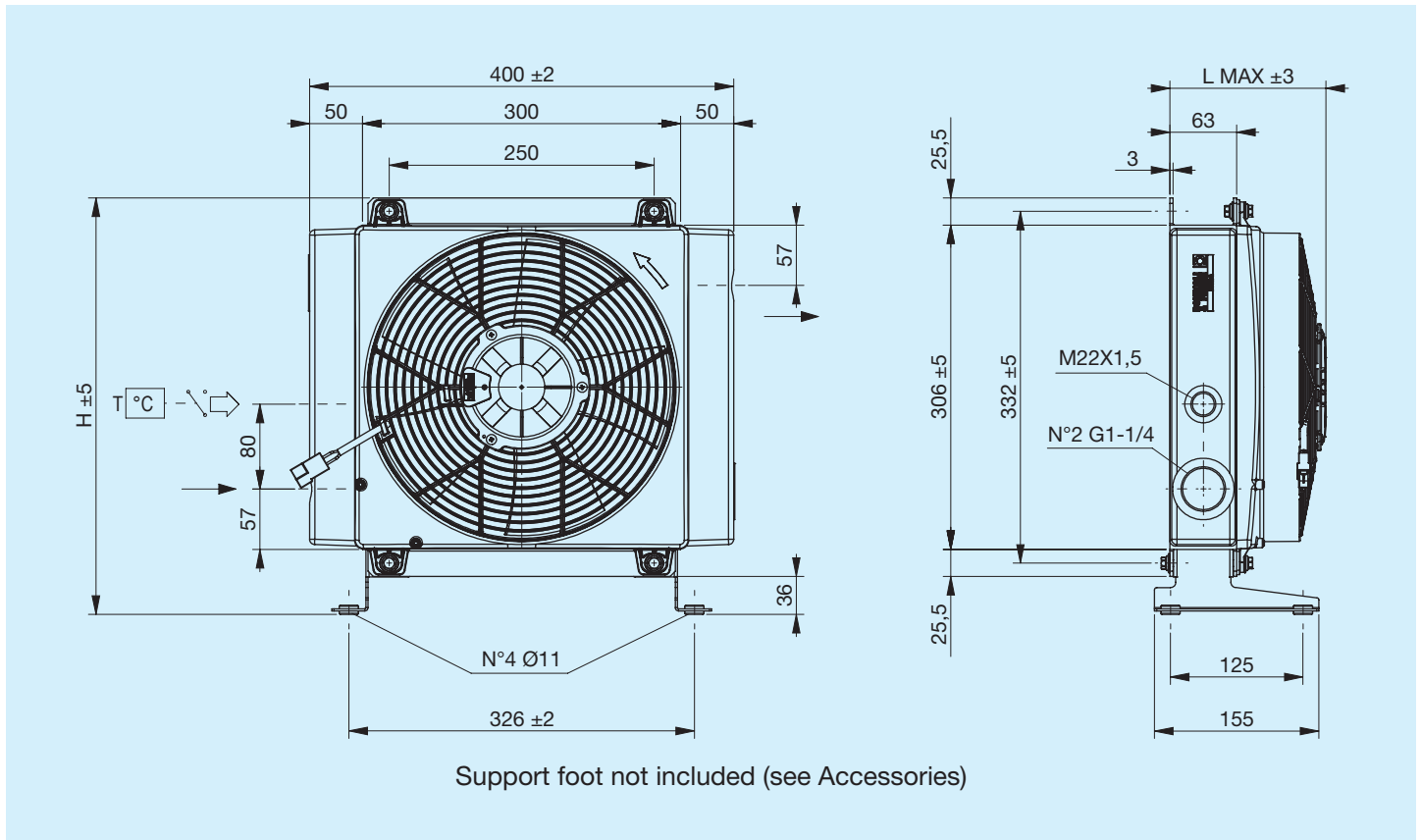


# A31 ECO



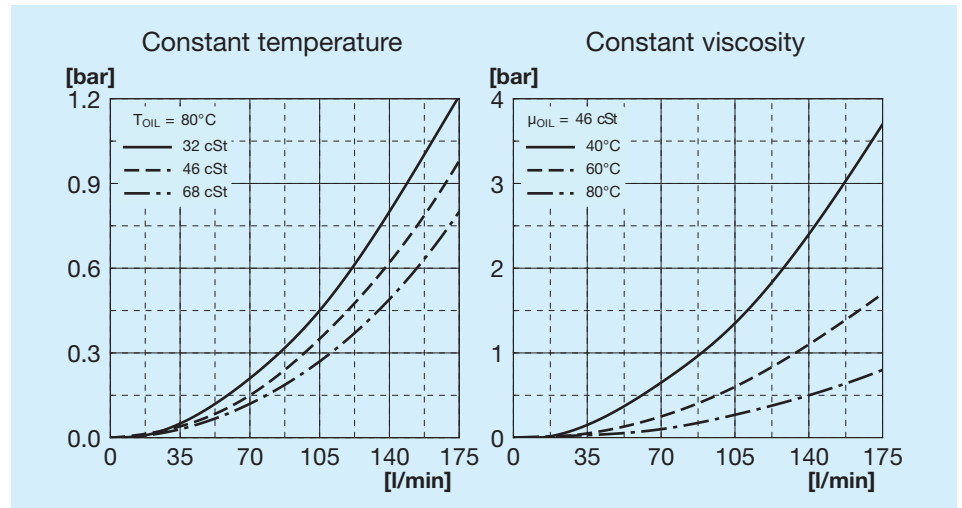
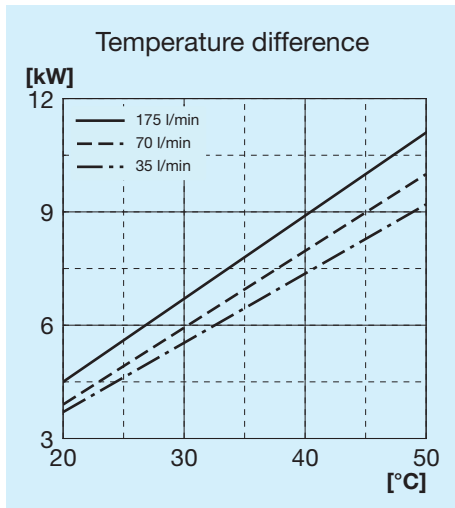
Before using the heat exchanger, carefully read the document entitled GENERAL INSTRUCTIONS FOR HEAT EXCHANGER USE.



Code	Description	Fan mm	Air flow rate m <sup>3</sup> /h	Voltage V	Current A	L Max mm	H mm	Weight Kg	Capacity l
FR633170011	A31 1EAP 12V ECO	280	1570	12	6,9	148	395	9.7	3.2
FR633170012	A31 1ESP 12V ECO	280	1480	12	6.3	148	395	9.7	3.2
FR633170023	A31 1EAX 12V ECO	280	2350	12	15	162	395	10.5	3.2
FR633170024	A31 1ESX 12V ECO	280	2350	12	15	162	395	10.5	3.2
FR633170019	A31 1EAP 24V ECO	280	1580	24	3.5	148	395	9.7	3.2
FR633170020	A31 1ESP 24V ECO	280	1520	24	3,3	148	395	9.7	3.2
FR633170025	A31 1EAX 24V ECO	280	2500	24	7	162	395	10.5	3.2
FR633170026	A31 1ESX 24V ECO	280	2500	24	7	162	395	10.5	3.2

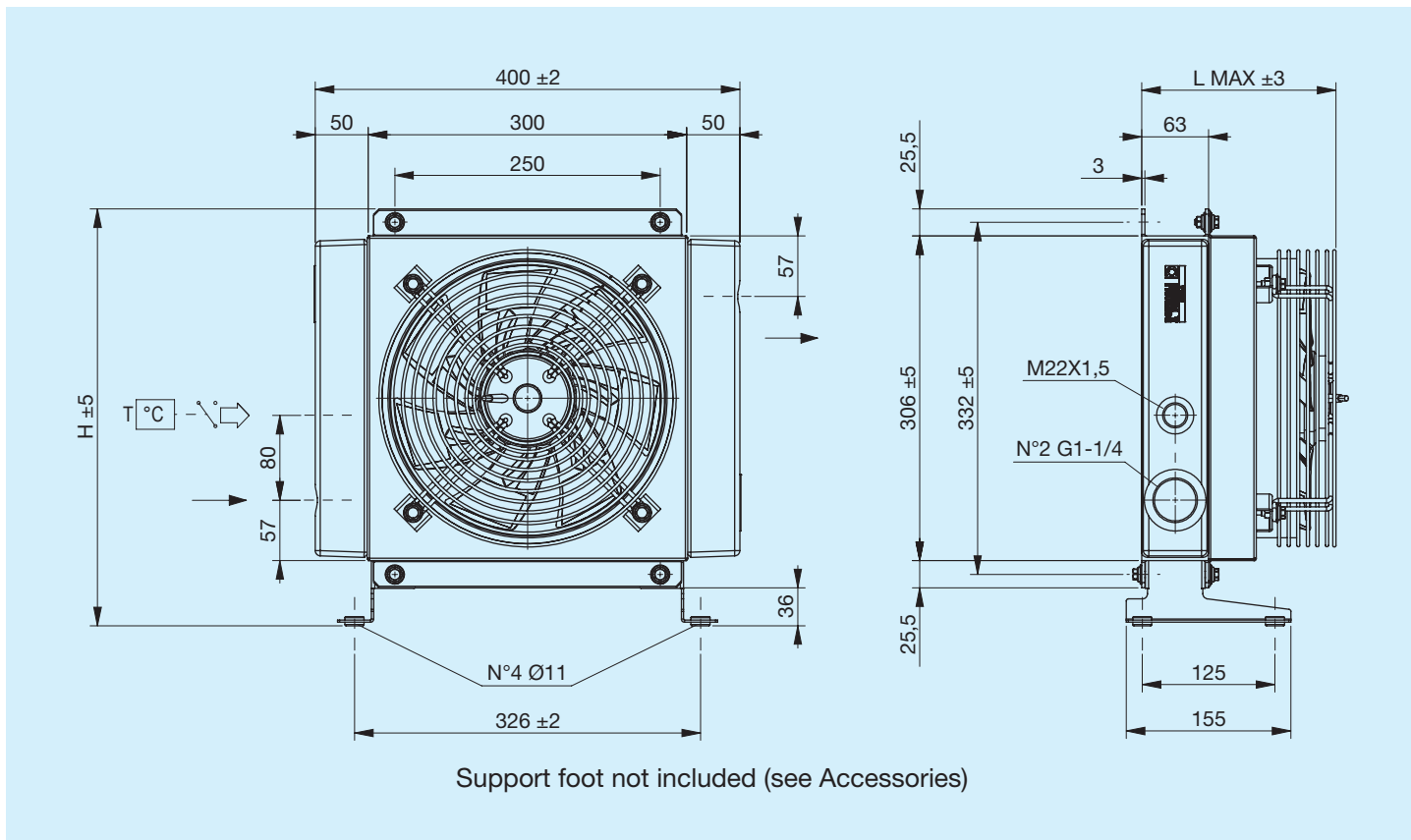
Heat exchange (thermal) capacity

Radiator passage pressure drop



## Legend

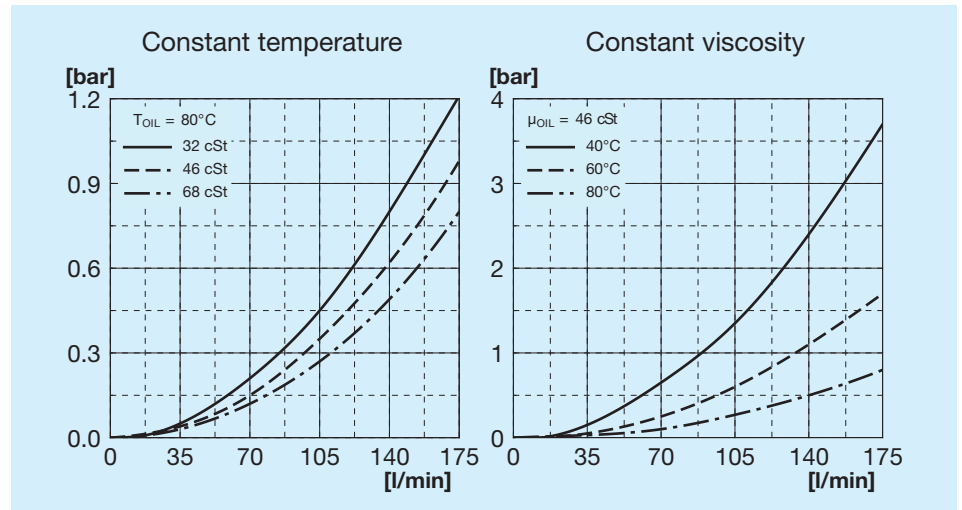
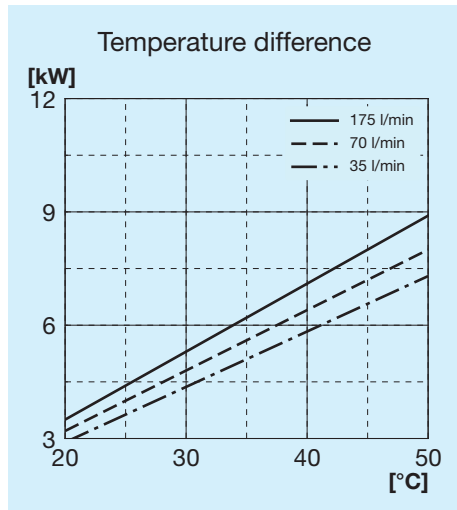
A31 ECO	Exchanger type
1E	1 Fan unit
A	Aspirating
S	Blowing
AP	High power aspirating
SP	High power blower
AX	Extra high power aspirating
SX	Extra high power blower
12V	Fan unit voltage
24V	Fan unit voltage



Code	Description	Fan mm	Power W	Frequen- cy Hz	Speed min <sup>-1</sup>	Pro- tection IP	L Max mm	H mm	Weight Kg	Capacity l
FR633170033	A31 1EA 230V ECO	250	160	50 60	2500 2600	44	183	395	10	3.2
FR633170034	A31 1ES 230V ECO	250	160	50 60	2500 2600	44	183	395	10	3.2
FR633170035	A31 1EA 400V ECO	250	160	50 60	2450 2550	44	183	395	10	3.2
FR633170036	A31 1ES 400V ECO	250	160	50 60	2450 2550	44	183	395	10	3.2

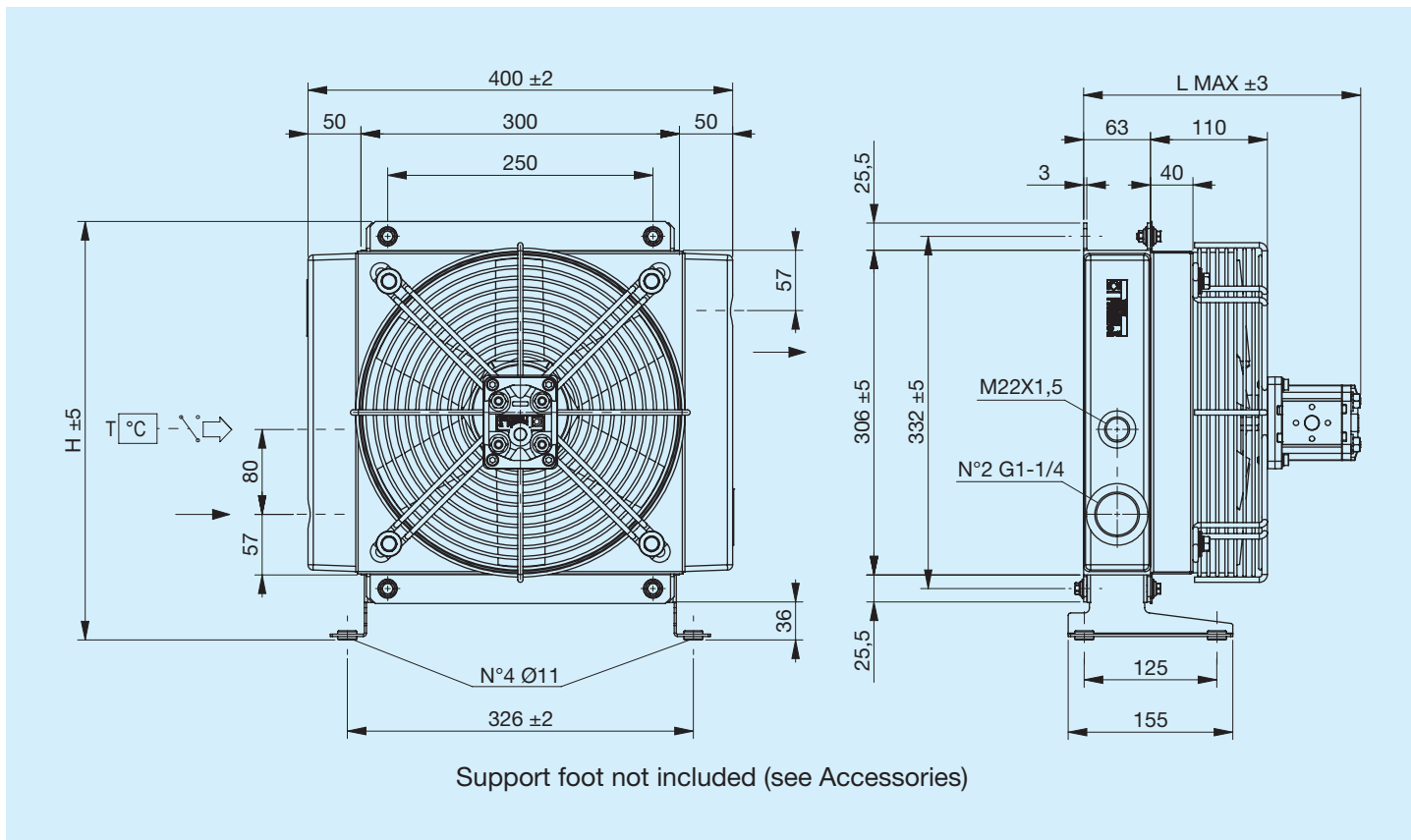
Heat exchange (thermal) capacity

Radiator passage pressure drop



## Legend

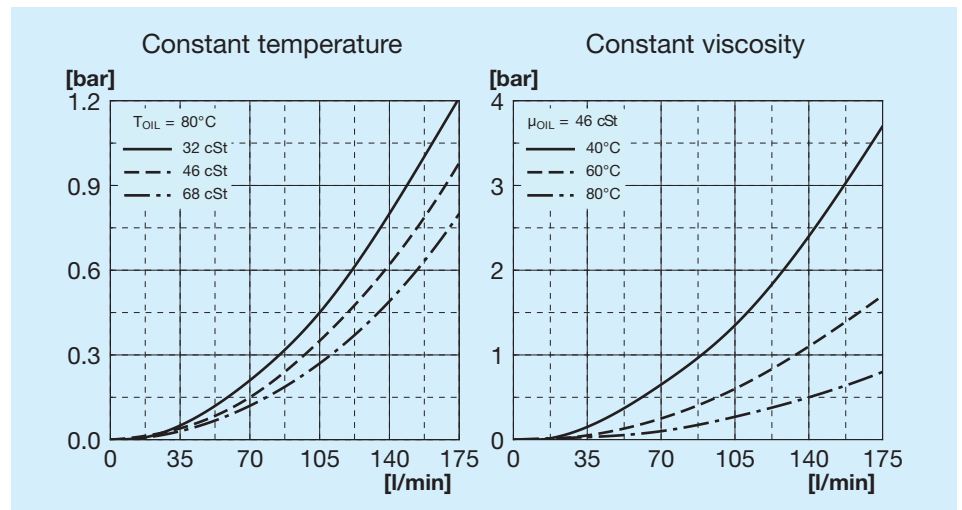
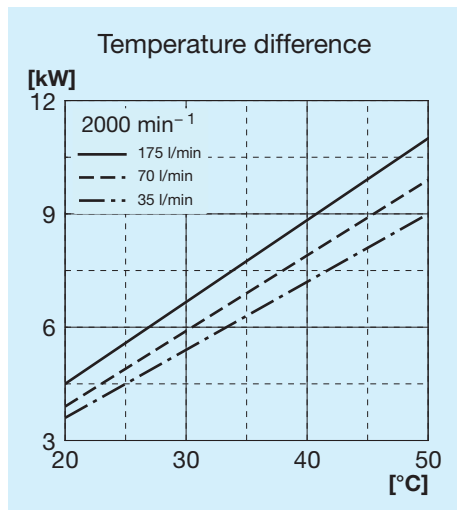
A31 ECO	Exchanger type
1E	1 Fan unit
A	Aspirating
S	Blowing
230V	Fan unit voltage
400V	Fan unit voltage



Code	Description	Fan mm	Motor displace- ment cm <sup>3</sup> /h	L Max mm	H mm	Weight Kg	Capacity l
FR634170017	A31 IA HYDR.MOT. GR1 ECO	290	6	261	395	14	3.2
FR634170018	A31 IS HYDR.MOT. GR1 ECO	290	6	261	395	14	3.2

Heat exchange (thermal) capacity

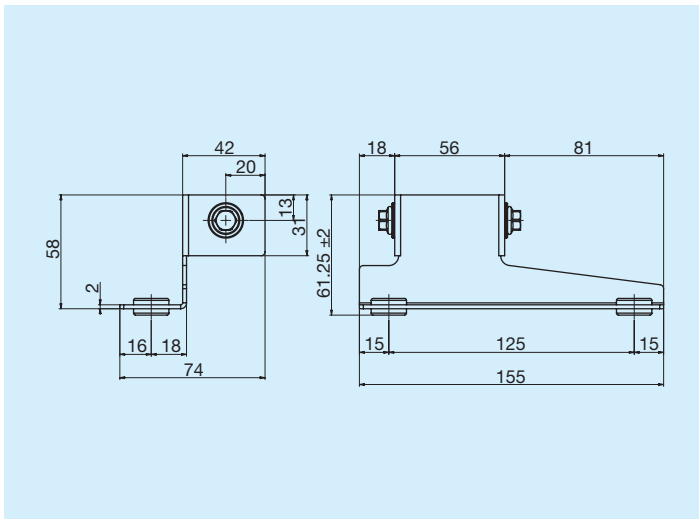
Radiator passage pressure drop



## Legend

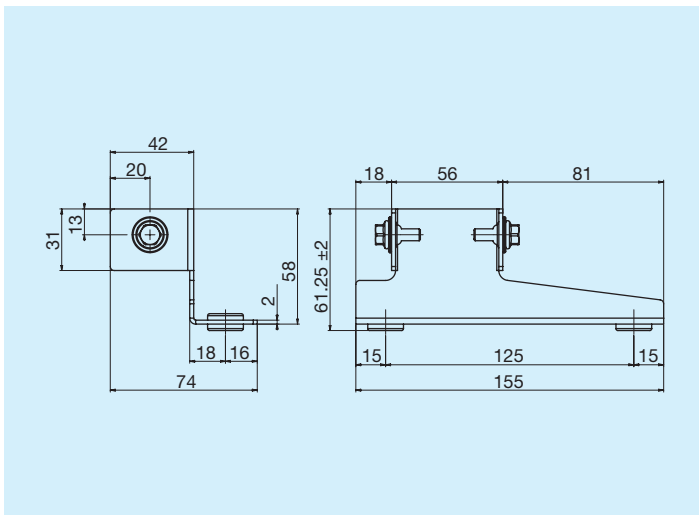
A31 ECO	Exchanger type
IA	Hydraulic aspirating
IS	Hydraulic blowing
SETT.	With motor mounting
HYD. MOT.	With integrated motor mounting
GR1	Group 1
GR2	Group 2

## Left supporting foot



Code

Left supporting foot FR290000011R

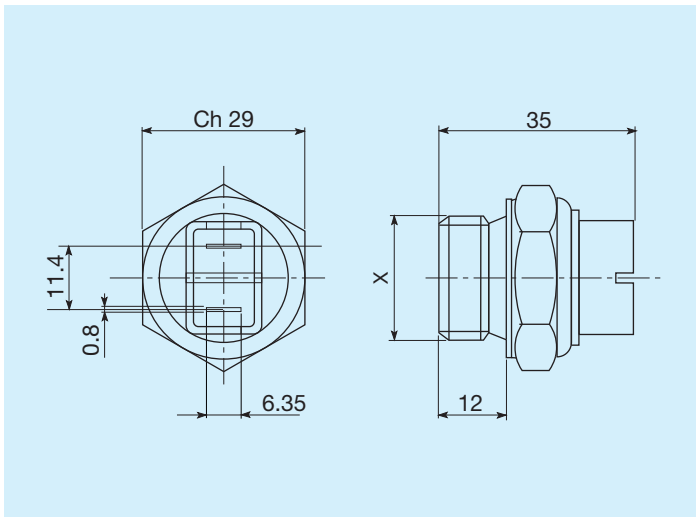


Code

Right supporting foot FR290000012R

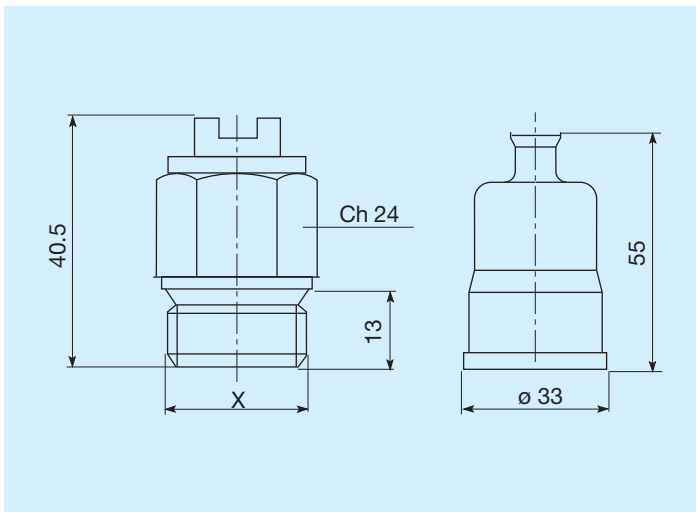


## Thermostats



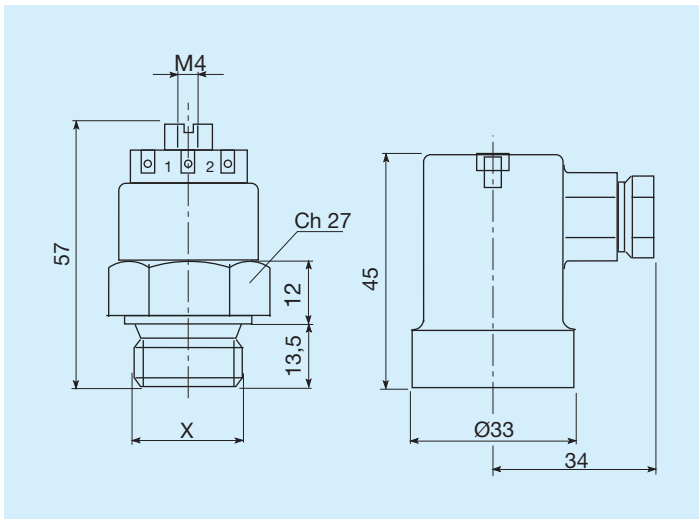
Trigger temperature C°	Threading	Code
45 - 35	M22x1.5	FR361104535R
60 - 50	M22x1.5	FR361106050R
80 - 70	M22x1.5	FR361108070R
82 - 68	M22x1.5	FR361108268R
85 - 76	M22x1.5	FR361108576R

## IP54 protected thermal switch



Trigger temperature C°	Threading	Code
45 - 35	M22x1.5	FR361124535R
50 - 40	M22x1.5	FR361125040R
60 - 50	M22x1.5	FR361126050R
70 - 60	M22x1.5	FR361127060R
80 - 70	M22x1.5	FR361128070R

## IP65 protected thermal switch



Trigger temperature C°	Threading	Code
45 - 35	M22x1.5	FR361154535R
47 - 36	M22x1.5	FR361155040R
60 - 50	M22x1.5	FR361156050R
80 - 70	M22x1.5	FR361158070R