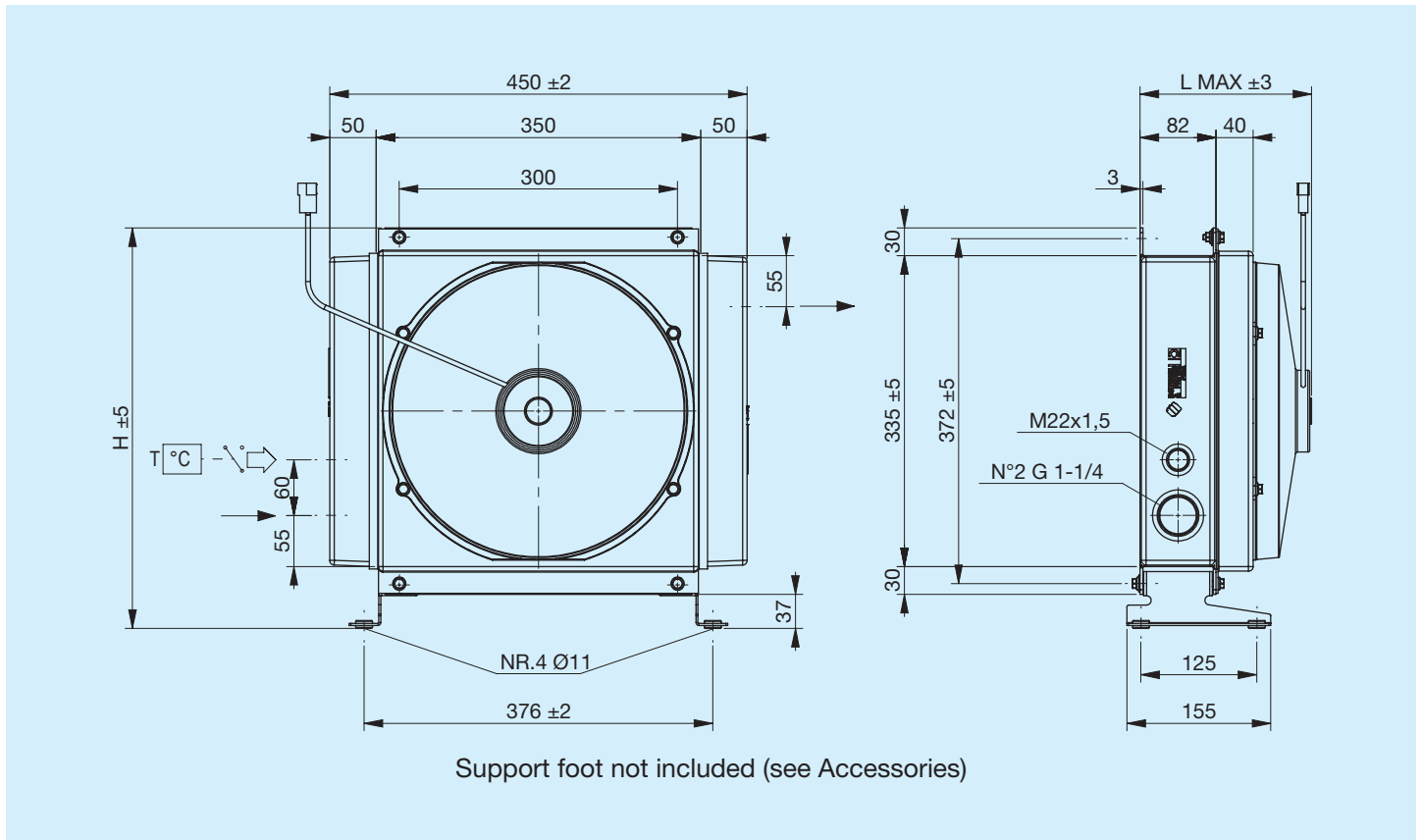


A45 ECO



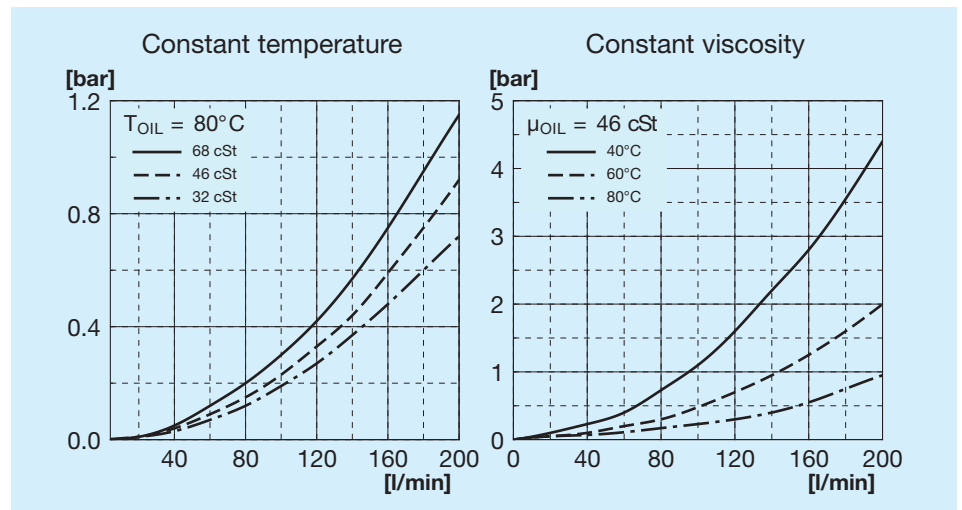
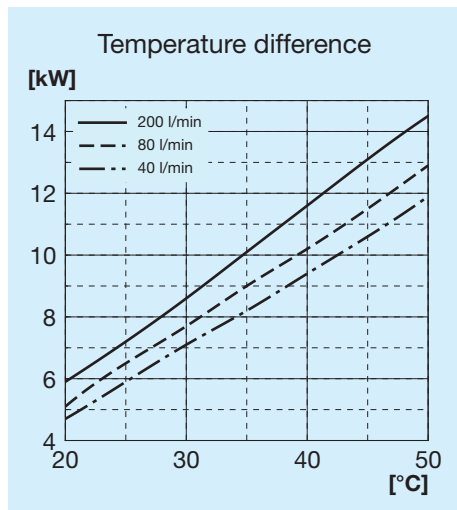
Before using the heat exchanger, carefully read the document entitled GENERAL INSTRUCTIONS FOR HEAT EXCHANGER USE.



Code	Description	Fan mm	Air flow rate m³/h	Voltage V	Current A	L Max mm	H mm	Weight Kg	Capacity l
FR633080025	A45 1EAP 12V ECO	305	1610	12	10.6	185	435	12.5	4.3
FR633080026	A45 1ESP 12V ECO	305	1470	12	9.3	185	435	12.5	4.3
FR633080027	A45 1EAX 12V ECO	305	2150	12	16.1	222	435	13.5	4.3
FR633080028	A45 1ESX 12V ECO	305	2080	12	15.9	222	435	13.5	4.3
FR633080029	A45 1EAP 24V ECO	305	1690	24	5.7	185	435	12.5	4.3
FR633080030	A45 1ESP 24V ECO	305	1580	24	4.9	185	435	12.5	4.3
FR633080038	A45 1EAX 24V ECO	305	2340	24	8.4	222	435	13.5	4.3
FR633080039	A45 1ESX 24V ECO	305	2210	24	8.1	222	435	13.5	4.3

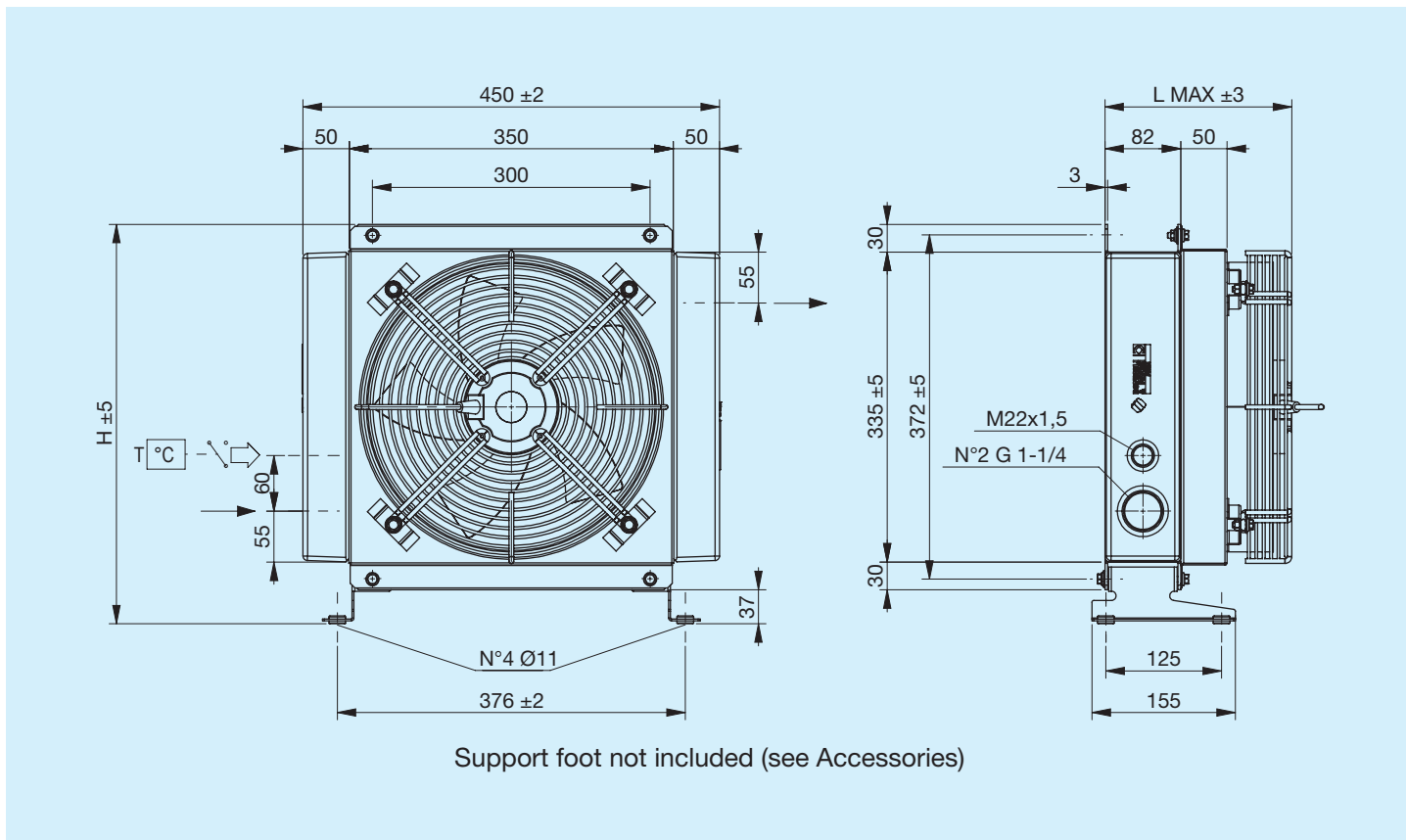
Heat exchange (thermal) capacity

Radiator passage pressure drop



Legend

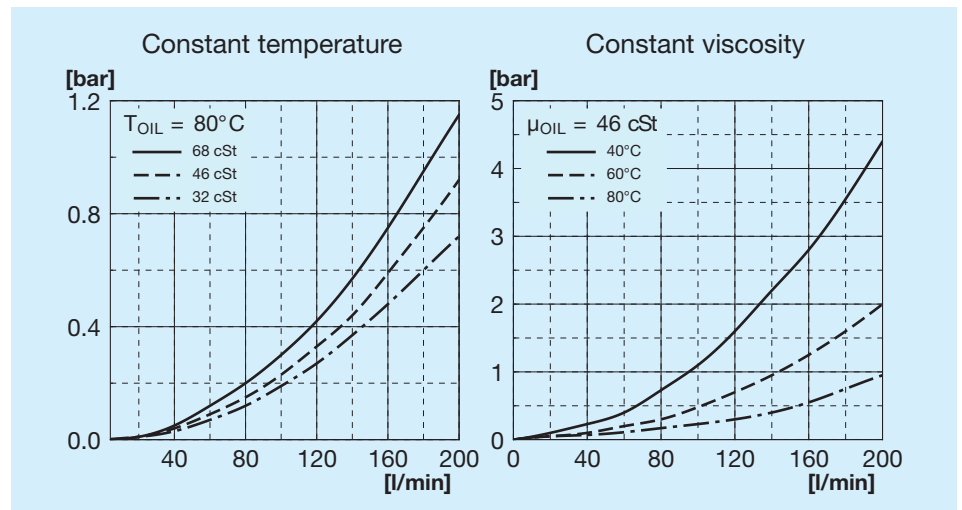
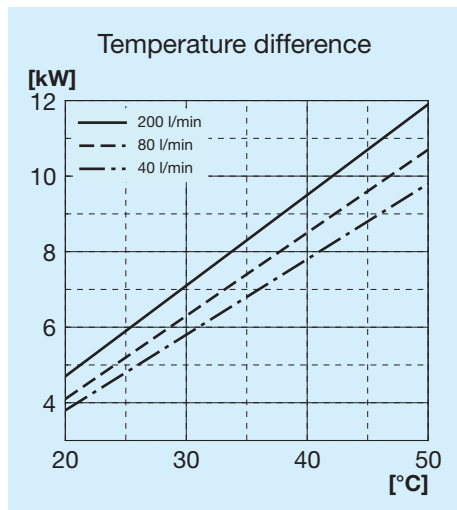
A45 ECO	Exchanger type
1E	1 Fan unit
A	Aspirating
S	Blowing
AP	High power aspirating
SP	High power blower
AX	Extra high power aspirating
SX	Extra high power blower
12V	Fan unit voltage
24V	Fan unit voltage



Code	Description	Fan mm	Power W	Frequen- cy Hz	Speed min ⁻¹	Pro- tection IP	L Max mm	H mm	Weight Kg	Capacity l
FR633080035	A45 1EA 230V ECO	300	350	50 60	2700 3000	44	202	435	16	4.3
FR633080037	A45 1EA 400V ECO	300	300	50 60	2580 2750	44	202	435	16	4.3

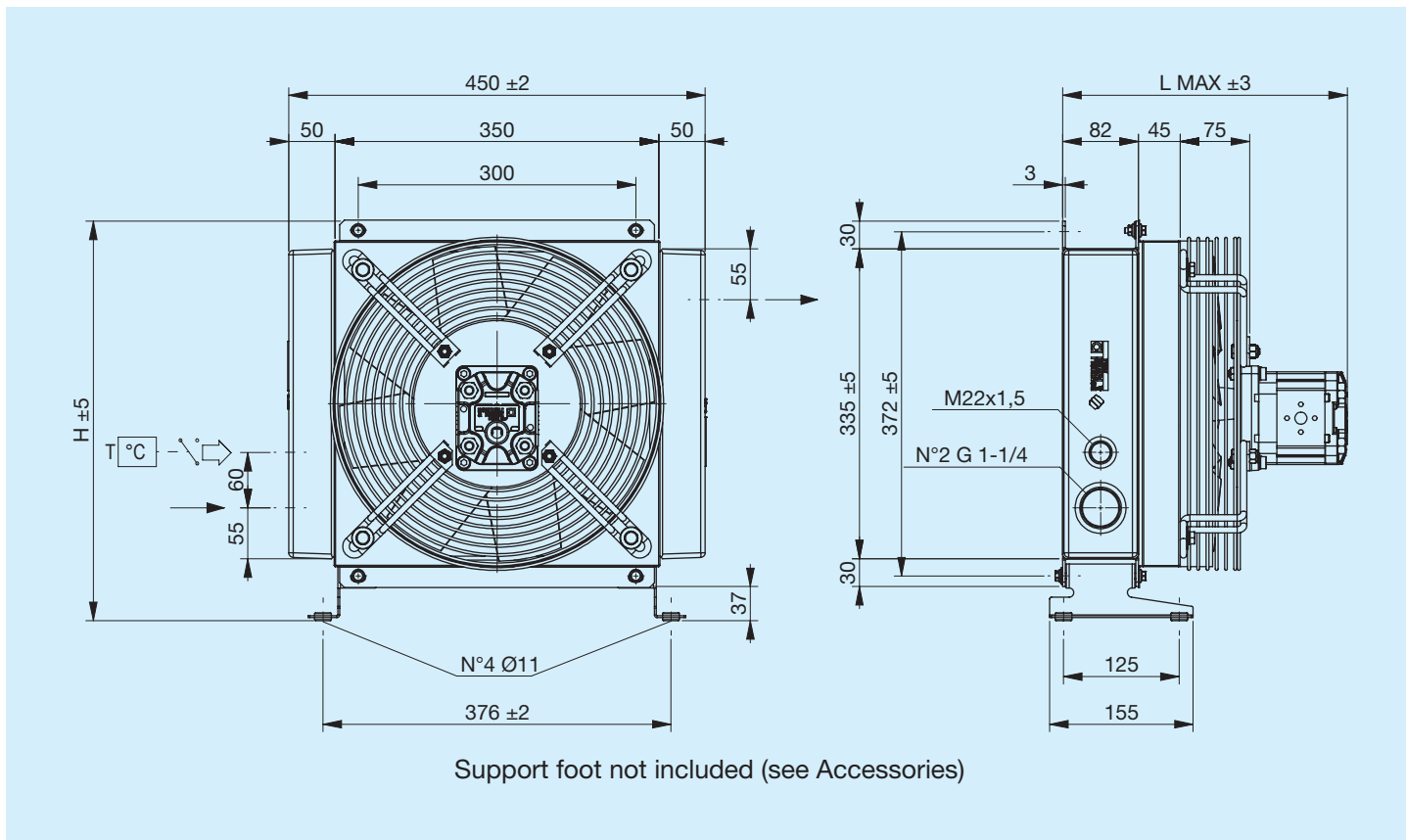
Heat exchange (thermal) capacity

Radiator passage pressure drop



Legend

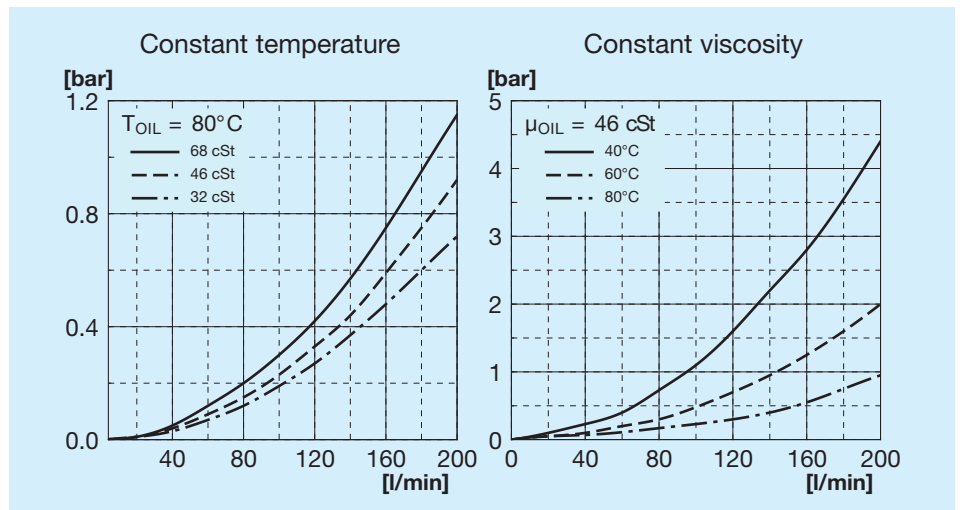
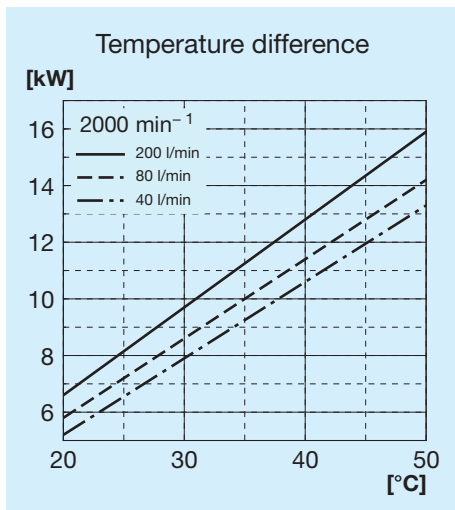
A45 ECO	Exchanger type
1E	1 Fan unit
A	Aspirating
S	Blowing
230V	Fan unit voltage
400V	Fan unit voltage



Code	Description	Fan mm	Motor displace- ment cm ³ /h	L Max mm	H mm	Weight Kg	Capacity l
FR634080009	A45 IA HYDR.MOT. GR2 ECO	340	6	308	435	15	4.3

Heat exchange (thermal) capacity

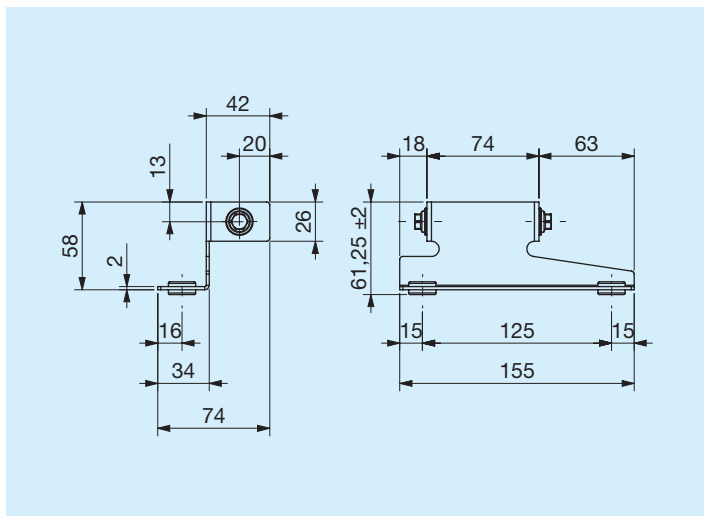
Radiator passage pressure drop



Legend

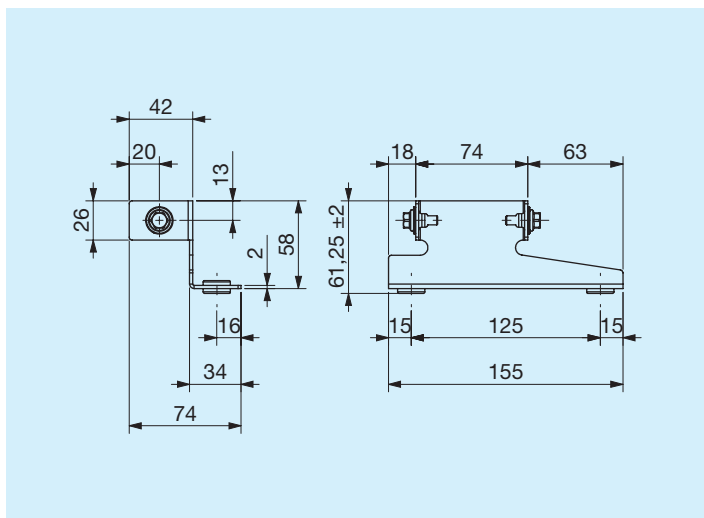
A45 ECO	Exchanger type
IA	Hydraulic aspirating
IS	Hydraulic blowing
SETT.	With motor mounting
HYD. MOT.	With integrated motor mounting
GR1	Group 1
GR2	Group 2

Left supporting foot



Code

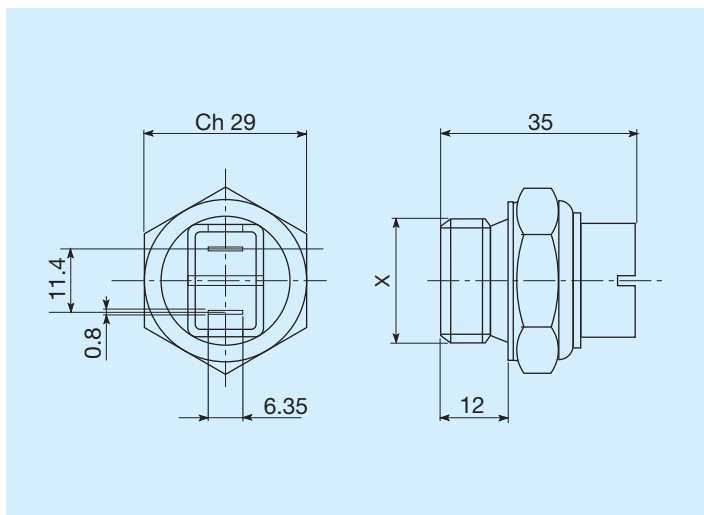
Left supporting foot FR290000013R



Code

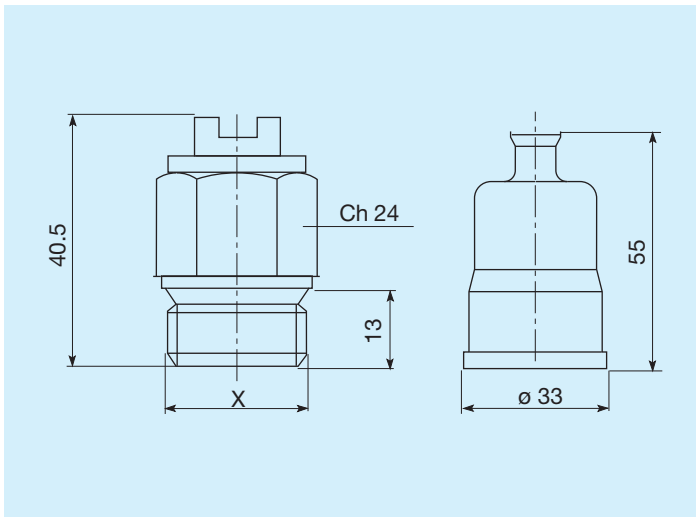
Right supporting foot FR290000014R

Thermostats



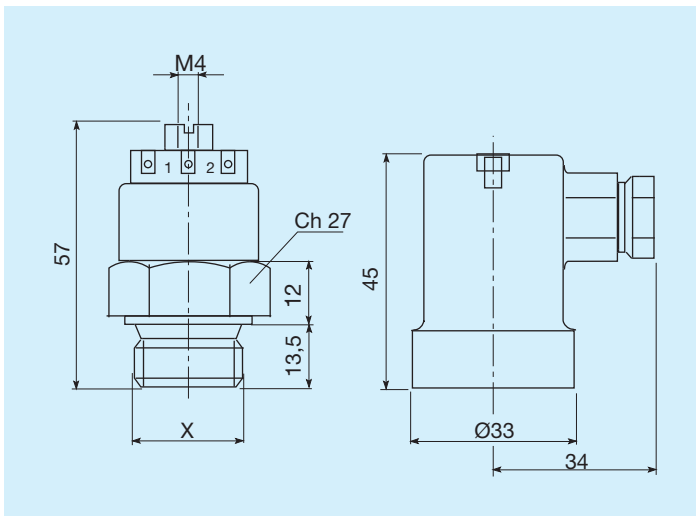
Trigger temperature C°	Threading	Code
45 - 35	M22x1.5	FR361104535R
60 - 50	M22x1.5	FR361106050R
80 - 70	M22x1.5	FR361108070R
82 - 68	M22x1.5	FR361108268R
85 - 76	M22x1.5	FR361108576R

IP54 protected thermal switch



Trigger temperature C°	Threading	Code
45 - 35	M22x1.5	FR361124535R
50 - 40	M22x1.5	FR361125040R
60 - 50	M22x1.5	FR361126050R
70 - 60	M22x1.5	FR361127060R
80 - 70	M22x1.5	FR361128070R

IP65 protected thermal switch



Trigger temperature C°	Threading	Code
45 - 35	M22x1.5	FR361154535R
47 - 36	M22x1.5	FR361155040R
60 - 50	M22x1.5	FR361156050R
80 - 70	M22x1.5	FR361158070R