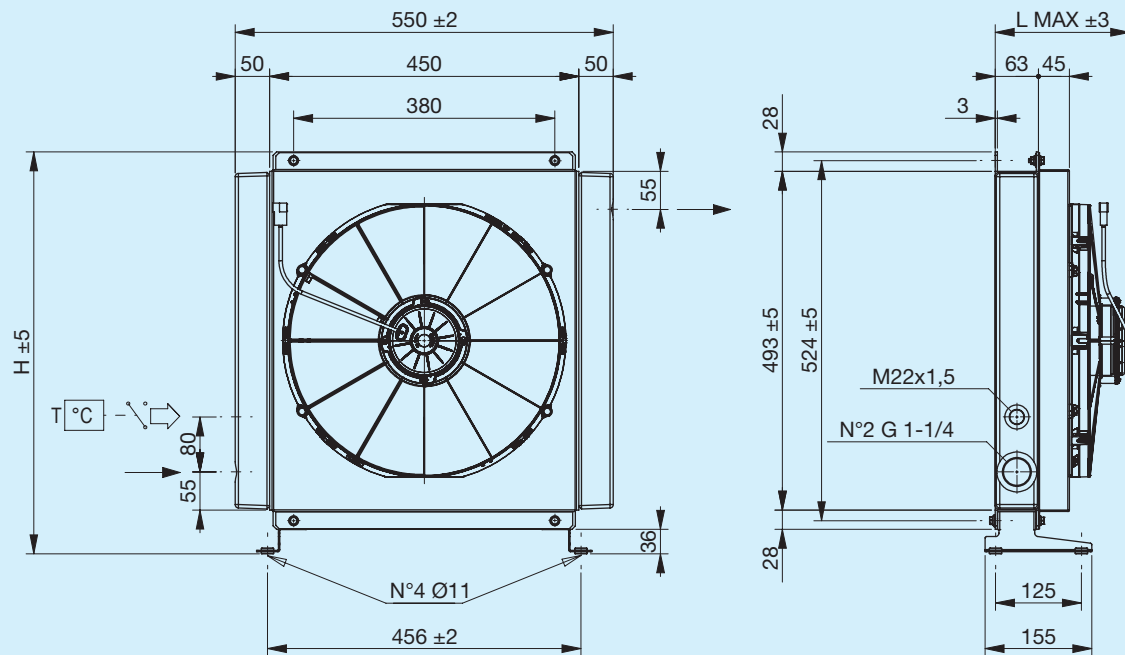


A60 ECO



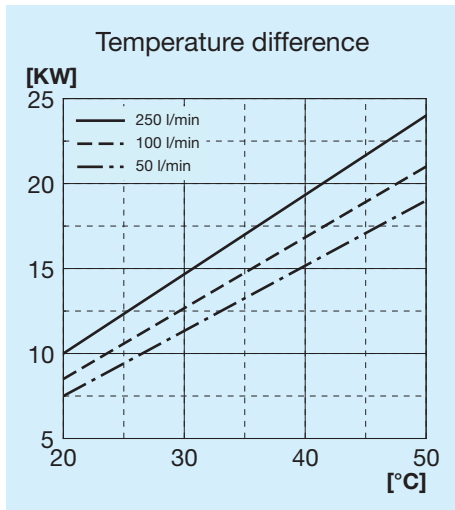
Before using the heat exchanger, carefully read the document entitled GENERAL INSTRUCTIONS FOR HEAT EXCHANGER USE.



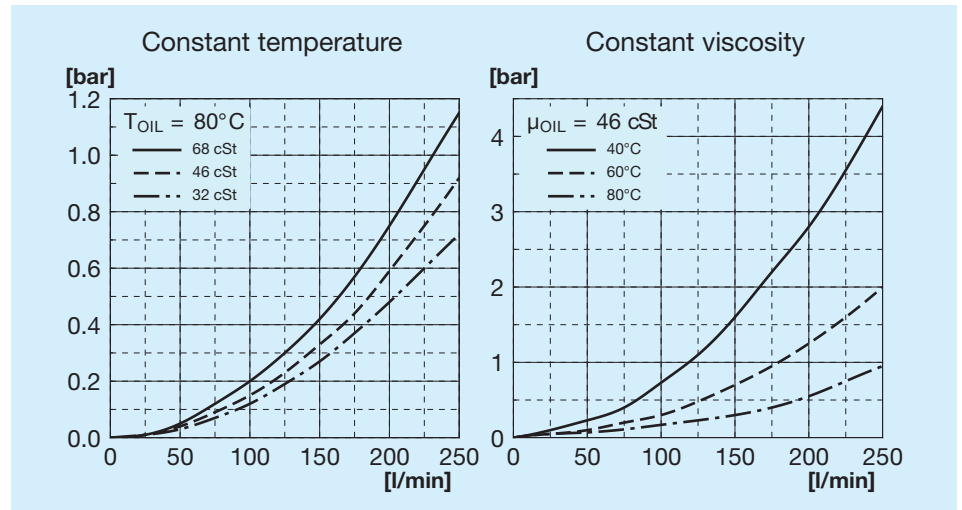
Support foot not included (see Accessories)

| Code | Description | Ø Fan mm | Air flow rate m³/h | Voltage V | Current A | L Max mm | H mm | Weight Kg | Capacity l |
|-------------|------------------|-------------|--------------------------|--------------|--------------|-------------|---------|--------------|---------------|
| FR633090005 | A60 1EAX 12V ECO | 385 | 2760 | 12 | 17.1 | 200 | 585 | 18 | 5.7 |
| FR633090006 | A60 1ESX 12V ECO | 385 | 2960 | 12 | 17.7 | 200 | 585 | 18 | 5.7 |
| FR633090015 | A60 1EAX 24V ECO | 385 | 2930 | 24 | 9.2 | 200 | 585 | 18 | 5.7 |
| FR633090016 | A60 1ESX 24V ECO | 385 | 3130 | 24 | 9.4 | 200 | 585 | 18 | 5.7 |

Heat exchange (thermal) capacity

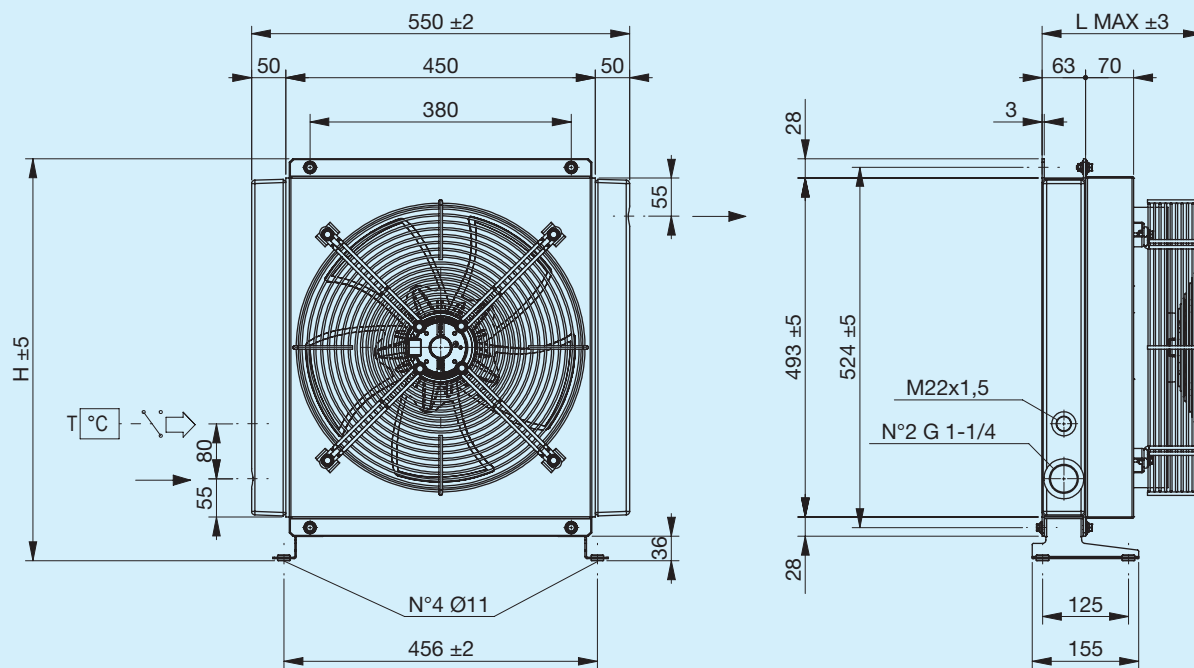


Radiator passage pressure drop



Legend

| | |
|------------|-----------------------------|
| A60 ECO | Exchanger type |
| 1E | 1 Fan unit |
| A | Aspirating |
| S | Blowing |
| AP | High power aspirating |
| SP | High power blower |
| AX | Extra high power aspirating |
| SX | Extra high power blower |
| 12V | Fan unit voltage |
| 24V | Fan unit voltage |

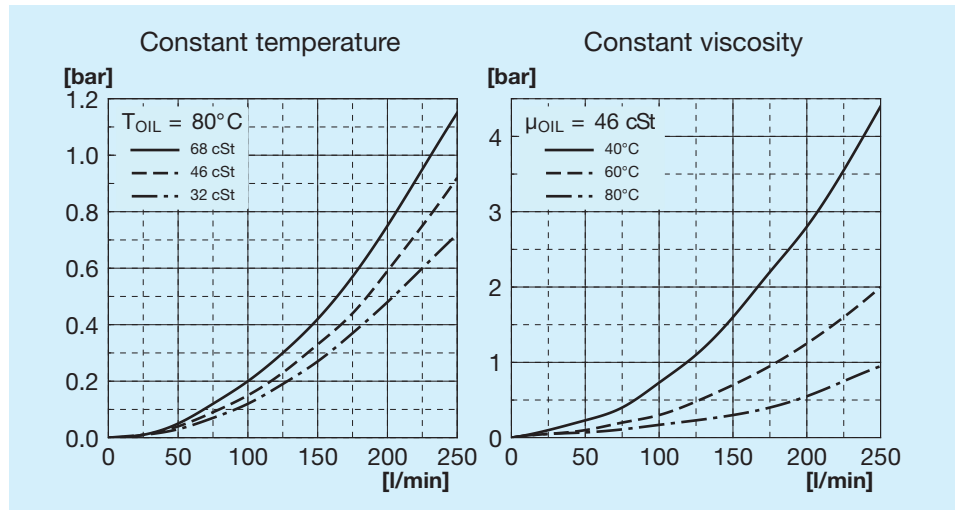
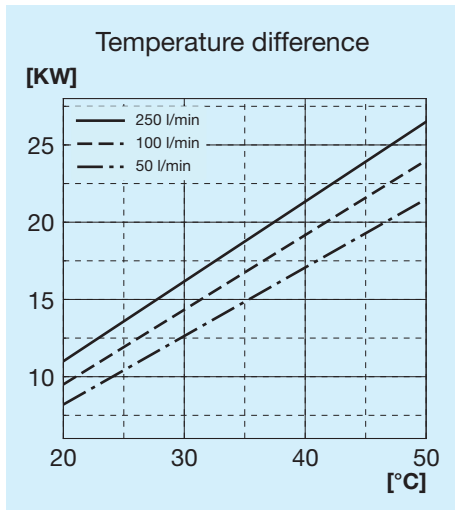


Support foot not included (see Accessories)

| Code | Description | Ø Fan mm | Power W | Frequen- cy Hz | Speed min ⁻¹ | Pro- tection IP | L Max mm | H mm | Weight Kg | Capacity l |
|-------------|------------------|-------------|------------|----------------------|----------------------------|-----------------------|-------------|---------|--------------|---------------|
| FR633090033 | A60 1EA 230V ECO | 400 | 240 | 50 60 | 1430 1700 | 44 | 233 | 585 | 17.9 | 5.7 |
| FR633090034 | A60 1ES 230V ECO | 400 | 240 | 50 60 | 1430 1700 | 44 | 233 | 585 | 17.9 | 5.7 |
| FR633090026 | A60 1EA 400V ECO | 400 | 185 | 50 60 | 1450 1690 | 44 | 233 | 585 | 17.9 | 5.7 |
| FR633090027 | A60 1ES 400V ECO | 400 | 185 | 50 60 | 1450 1690 | 44 | 233 | 585 | 17.9 | 5.7 |

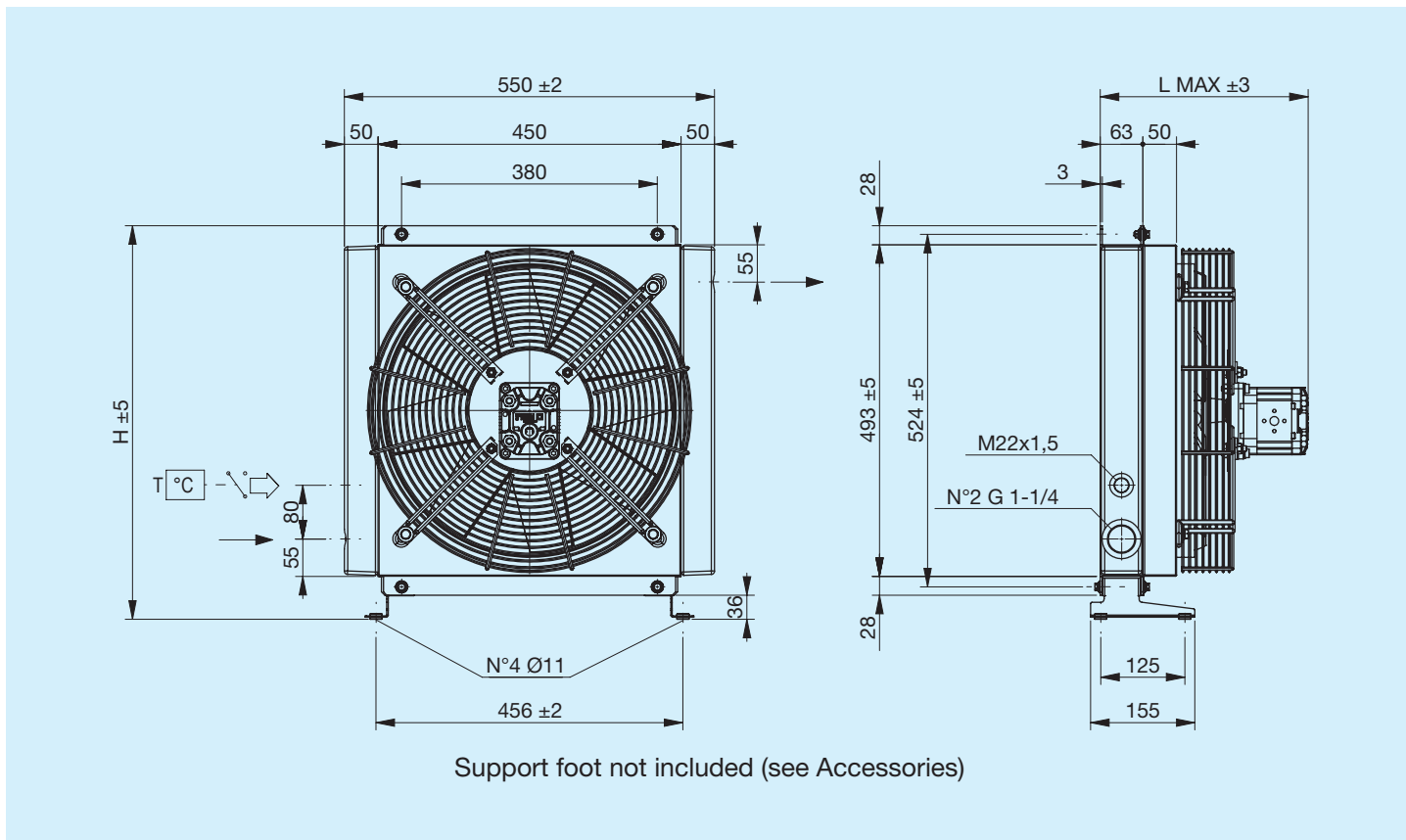
Heat exchange (thermal) capacity

Radiator passage pressure drop



Legend

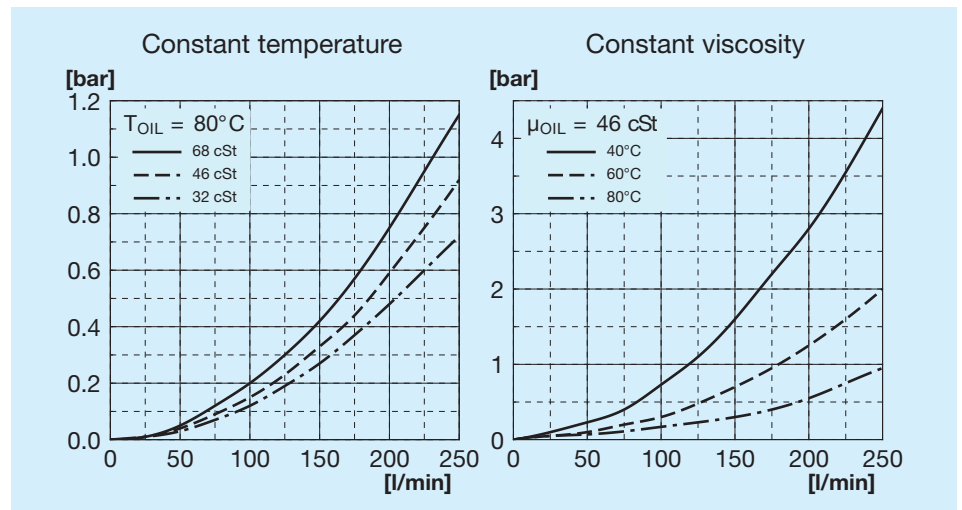
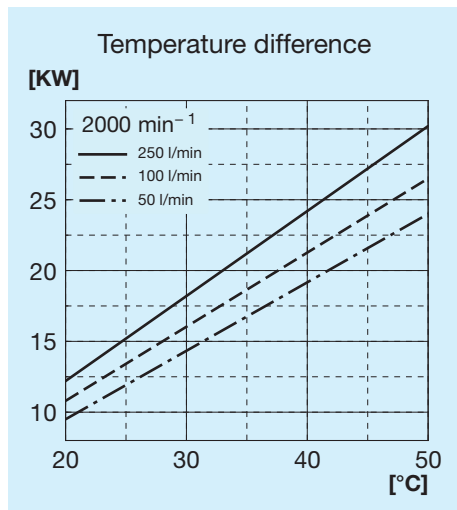
| | |
|------------|------------------|
| A60 ECO | Exchanger type |
| 1E | 1 Fan unit |
| A | Aspirating |
| S | Blowing |
| 230V | Fan unit voltage |
| 400V | Fan unit voltage |



| Code | Description | Ø Fan mm | Motor displace- ment cm ³ /h | L Max mm | H mm | Weight Kg | Capacity l |
|-------------|--------------------------|-------------|--------------------------------------------------|-------------|---------|--------------|---------------|
| FR634090017 | A60 IA HYDR.MOT. GR2 ECO | 420 | 6 | 310 | 585 | 21 | 5.7 |
| FR634090018 | A60 IS HYDR.MOT. GR2 ECO | 420 | 6 | 310 | 585 | 21 | 5.7 |

Heat exchange (thermal) capacity

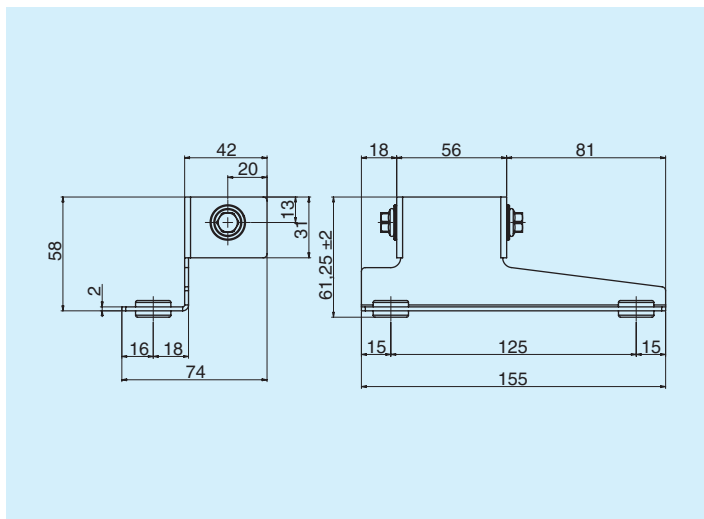
Radiator passage pressure drop



Legend

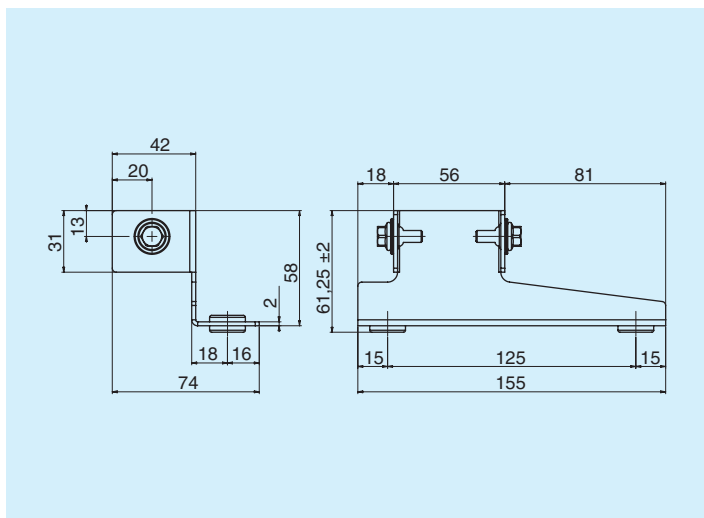
| | |
|--------------|--------------------------------|
| A60 ECO | Exchanger type |
| IA | Hydraulic aspirating |
| IS | Hydraulic blowing |
| SETT. | With motor mounting |
| HYD. MOT. | With integrated motor mounting |
| GR1 | Group 1 |
| GR2 | Group 2 |

Left supporting foot



Code

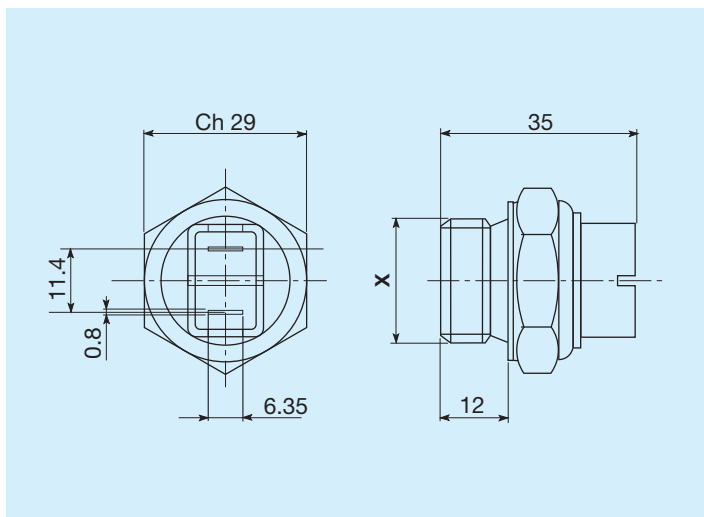
Left supporting foot FR290000011R



Code

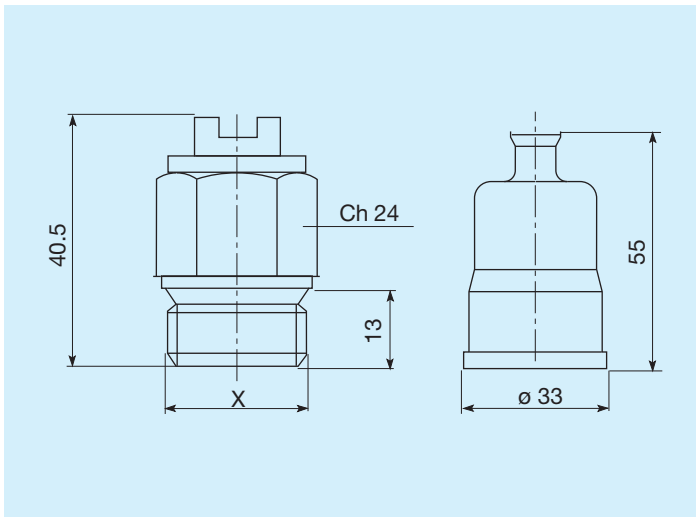
Right supporting foot FR290000012R

Thermostats



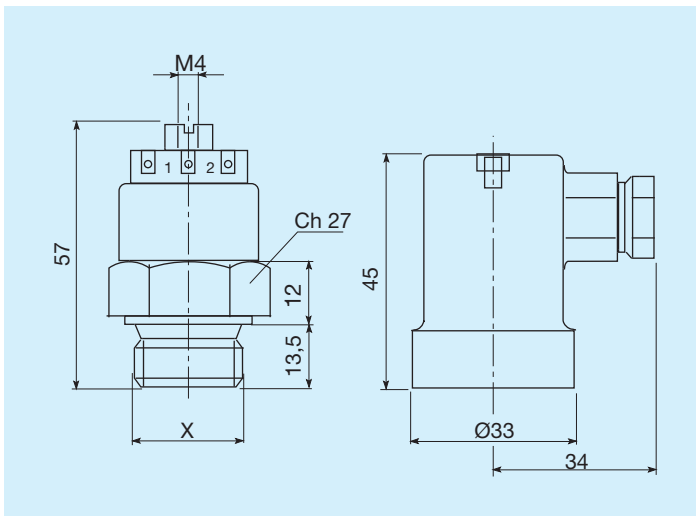
| Trigger temperature C° | Threading | Code |
|---------------------------|-----------|--------------|
| 45 - 35 | M22x1.5 | FR361104535R |
| 60 - 50 | M22x1.5 | FR361106050R |
| 80 - 70 | M22x1.5 | FR361108070R |
| 82 - 68 | M22x1.5 | FR361108268R |
| 85 - 76 | M22x1.5 | FR361108576R |

IP54 protected thermal switch



| Trigger temperature C° | Threading | Code |
|---------------------------|-----------|--------------|
| 45 - 35 | M22x1.5 | FR361124535R |
| 50 - 40 | M22x1.5 | FR361125040R |
| 60 - 50 | M22x1.5 | FR361126050R |
| 70 - 60 | M22x1.5 | FR361127060R |
| 80 - 70 | M22x1.5 | FR361128070R |

IP65 protected thermal switch



| Trigger temperature C° | Threading | Code |
|---------------------------|-----------|--------------|
| 45 - 35 | M22x1.5 | FR361154535R |
| 47 - 36 | M22x1.5 | FR361155040R |
| 60 - 50 | M22x1.5 | FR361156050R |
| 80 - 70 | M22x1.5 | FR361158070R |