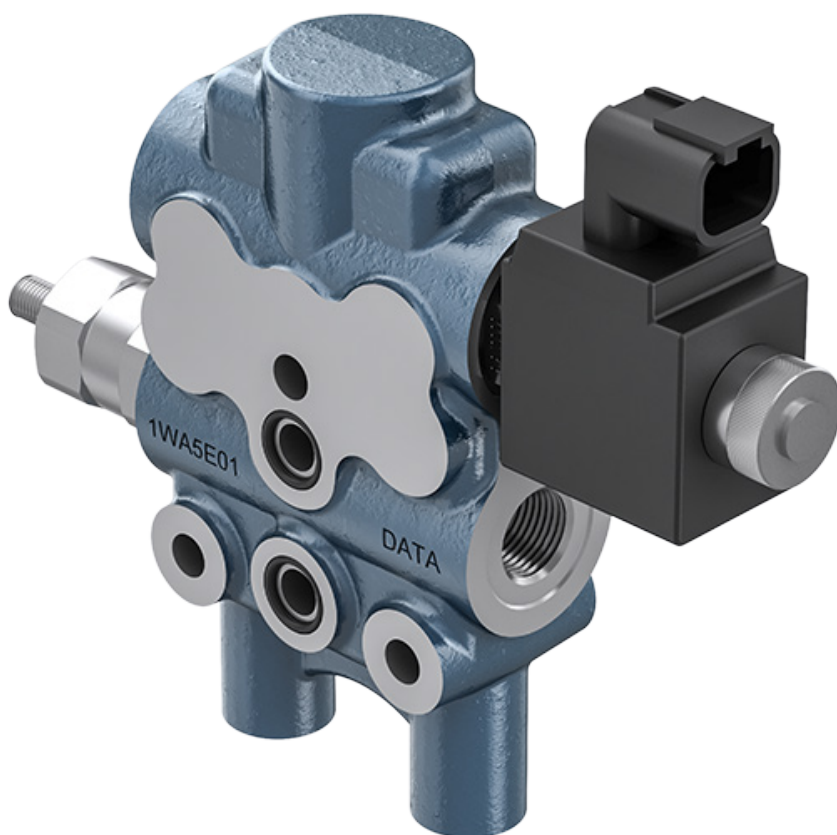


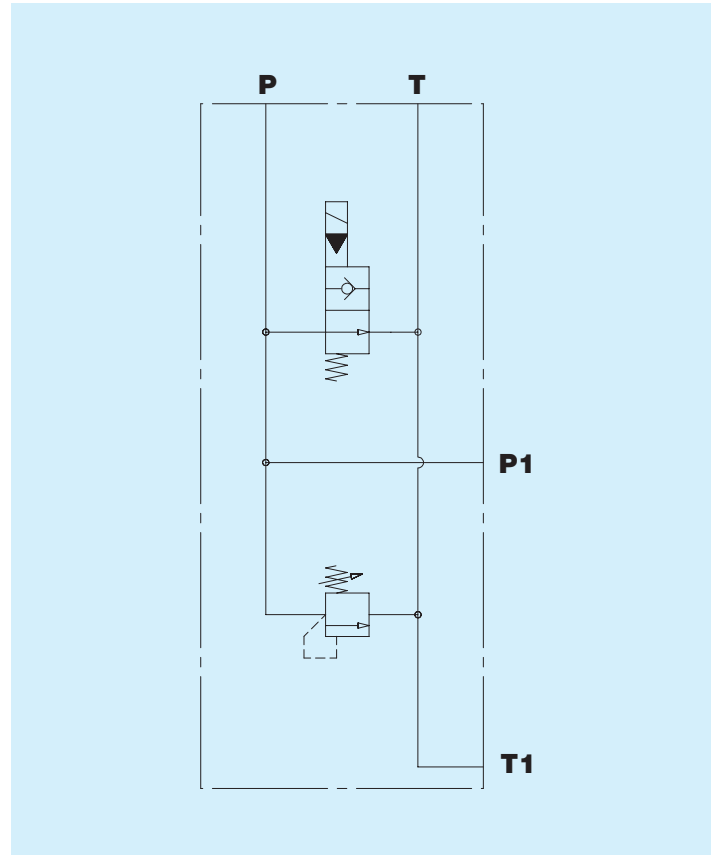
TE050E Inlet cover with unloading valve and relief valve

IBW0500 interface

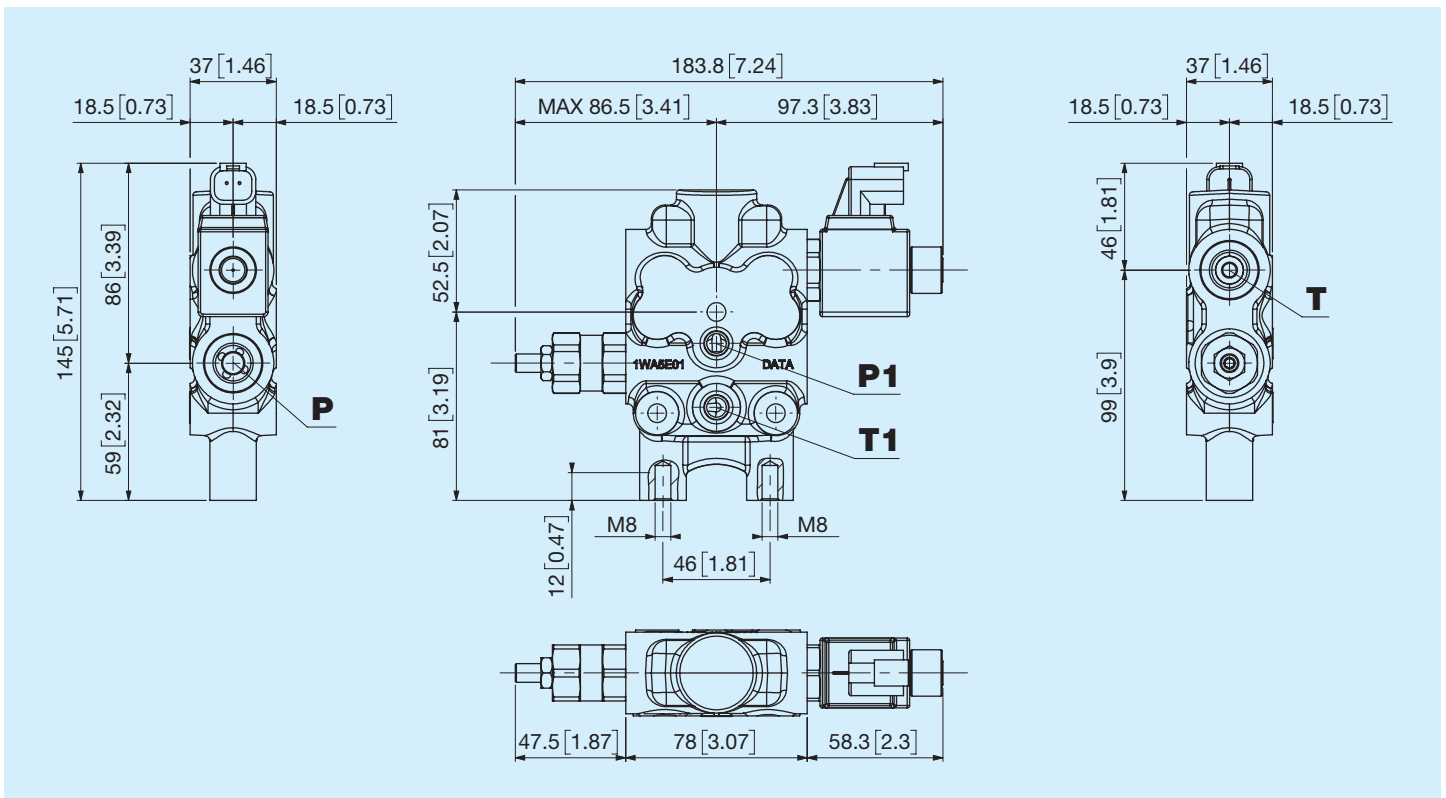


Prior to use, carefully read the document GENERAL USE INSTRUCTIONS FOR DIRECTIONAL CONTROL VALVES

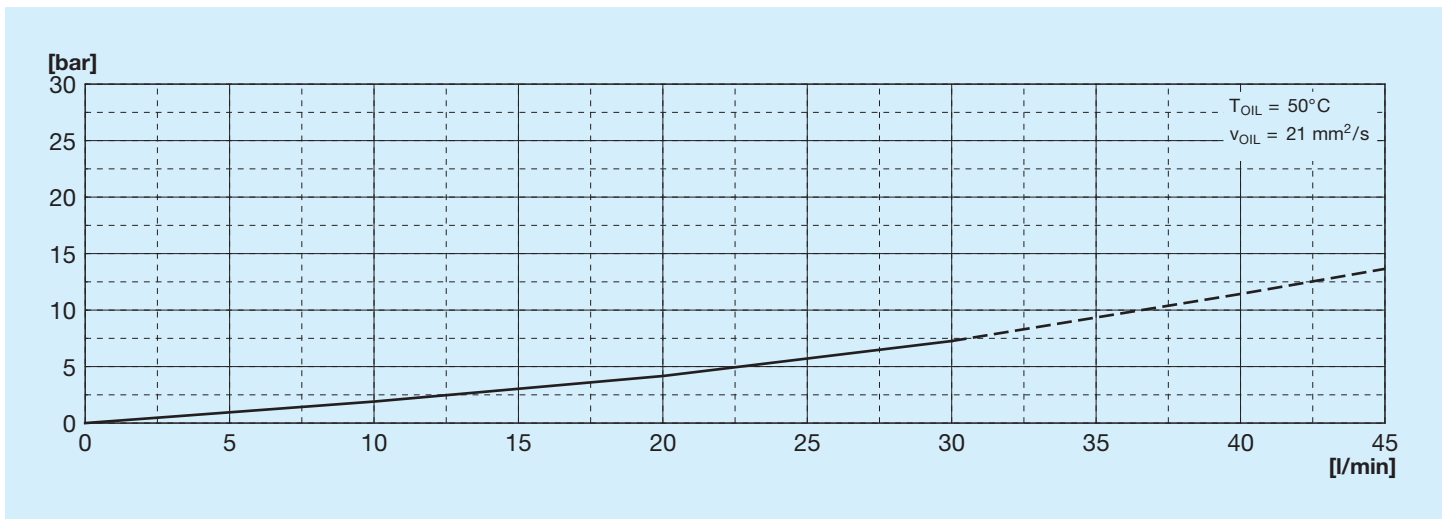
Nominal flow rate	30 l/min 7.92 US gpm
Nominal pressure	250 bar 3625 psi
Maximum tank pressure	50 bar 725 psi
Operating temperature	-20°C +85°C NBR seals (max peak +100°C) -20°C + 130°C HNBR seals
Operating oil viscosity	from 15 mm²/s to 90 mm²/s (15 cSt to 90 cSt)
Fluid	Hydraulic fluids defined by the ISO 6743-4 standard
Weight	1.6 Kg 3.5 lb
Interface	IBW0500



Overall dimensions



Pressure drops P - T



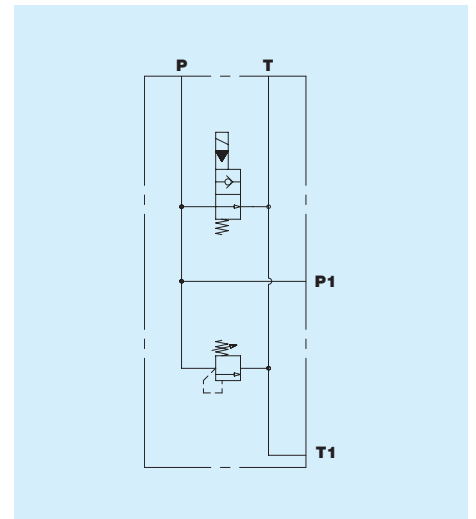
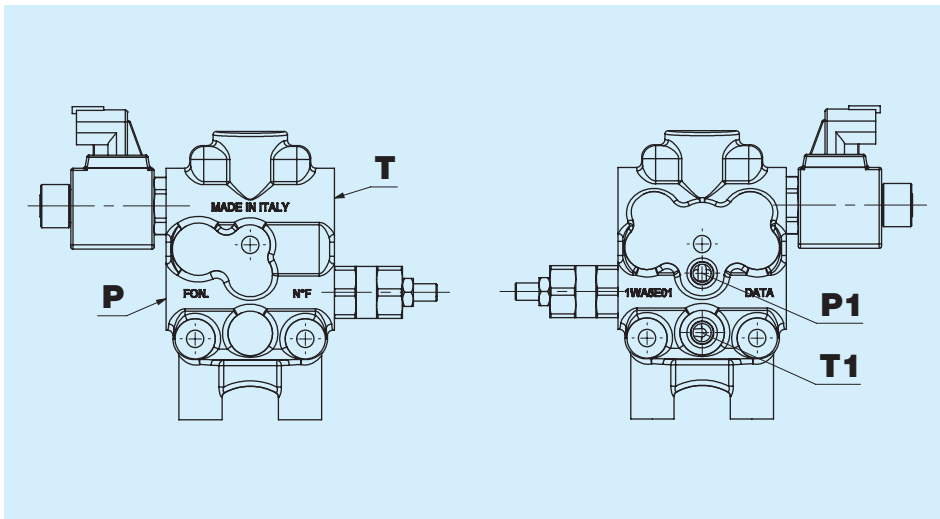
Thread port P

Code	Type	Tightening $\pm 10\%$ Nm
A	3/8" GAS ISO 1179	45
C	M18x1.5 ISO 9974	45
W	M18x1.5 ISO 6149	45
E	3/4" - 16 SAE ISO 11926	45

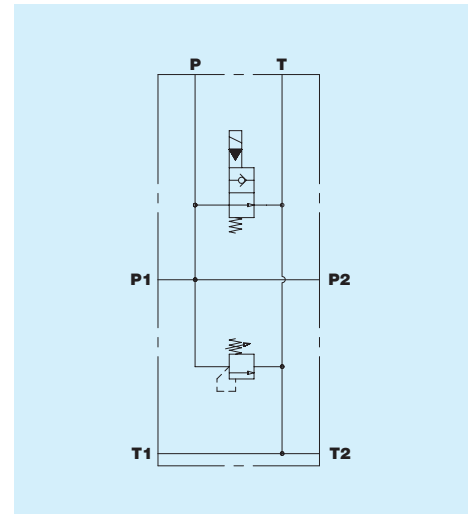
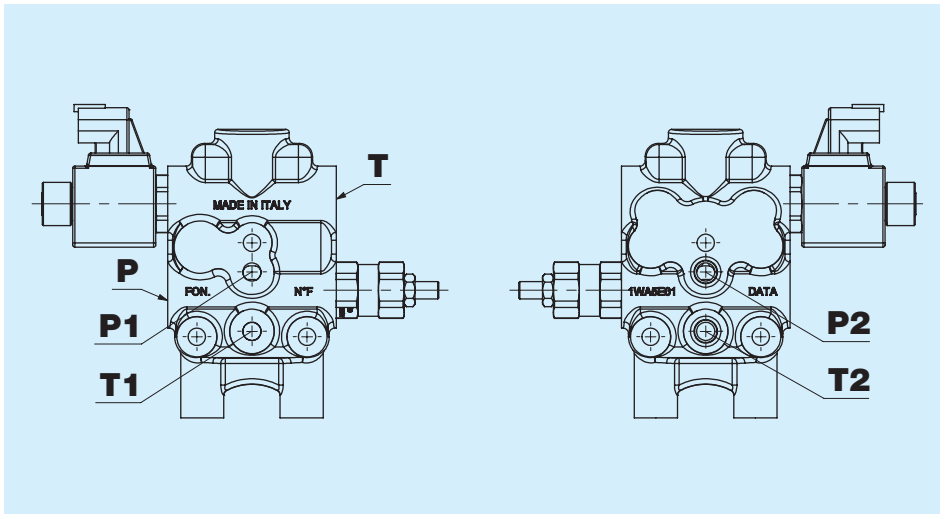
Thread port T

Code	Type	Tightening $\pm 10\%$ Nm
A	3/8" GAS ISO 1179	45
C	M18x1.5 ISO 9974	45
W	M18x1.5 ISO 6149	45
E	3/4" - 16 SAE ISO 11926	45

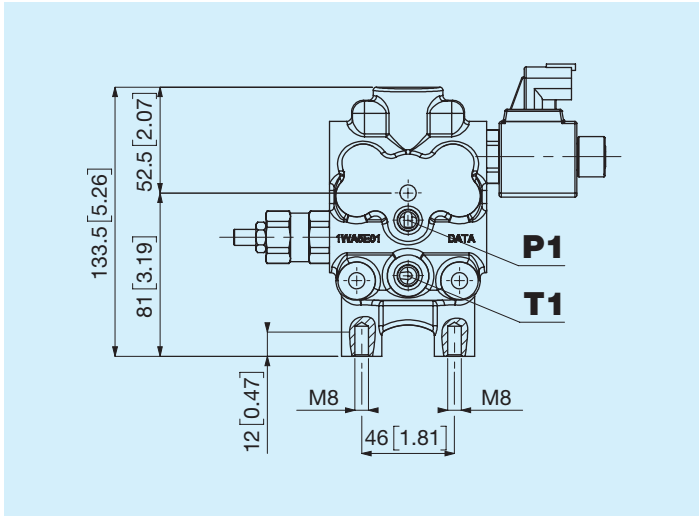
S Standard



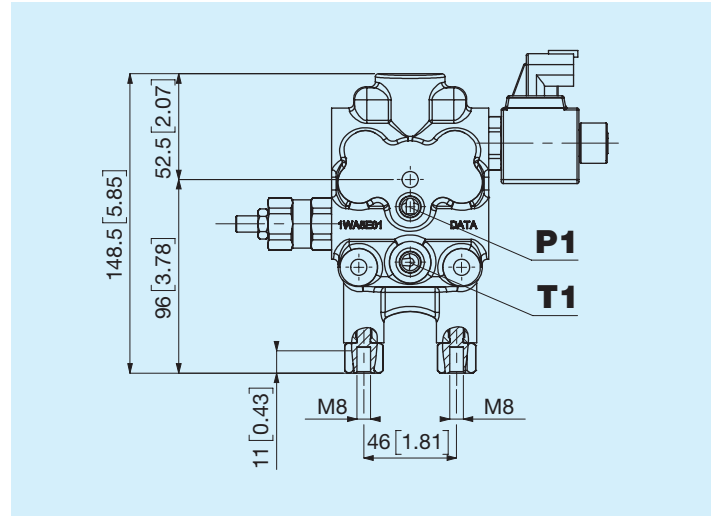
A P-T through



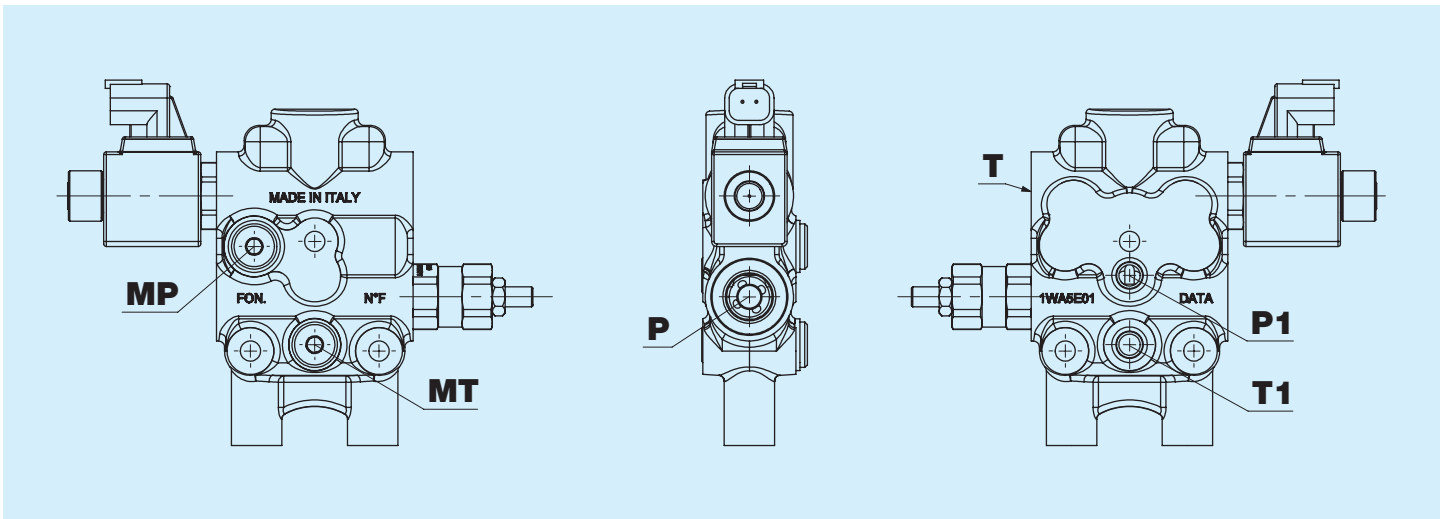
H2 Standard



H3 High



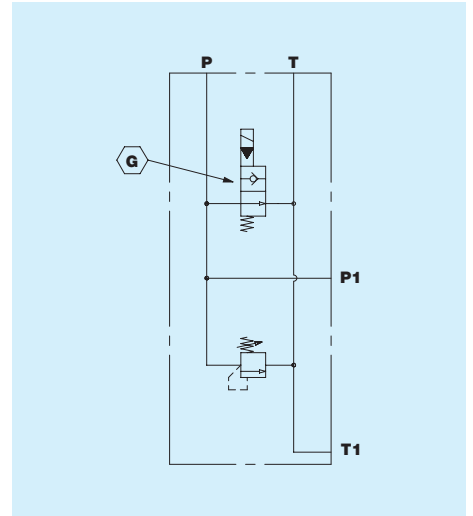
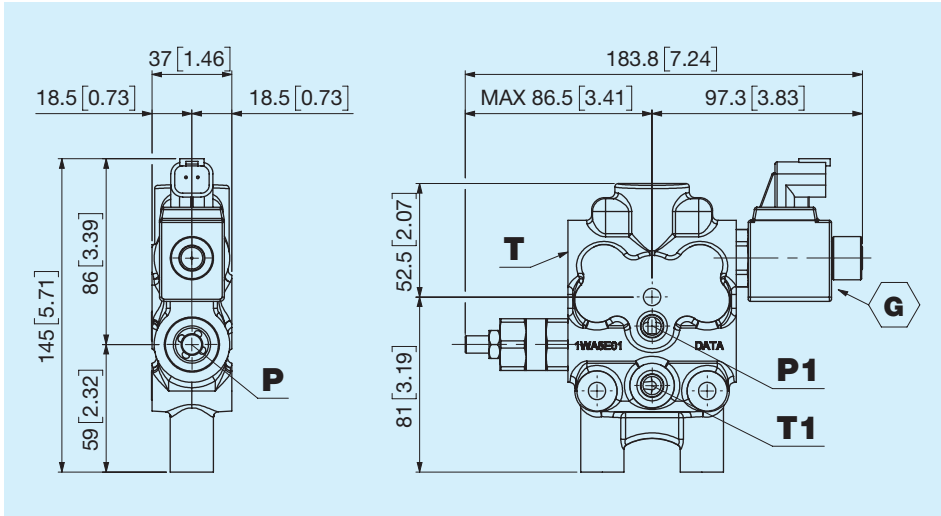
MP and MT - Gauge ports



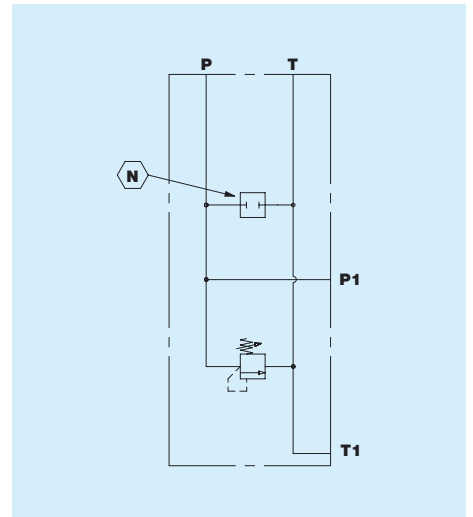
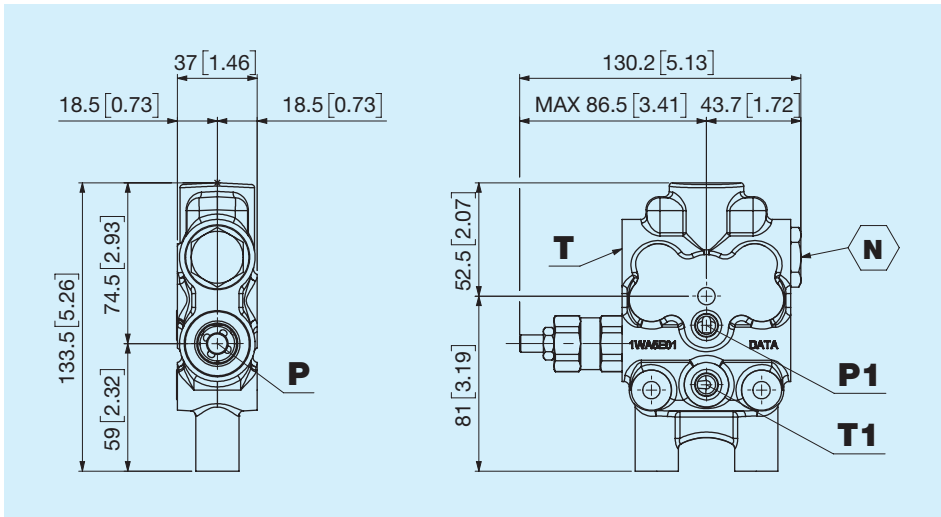
Thread ports MP and MT

Code	Type	Tightening $\pm 10\%$ Nm
N	None	
L	1/4" GAS ISO 1179	27
3	M14x1.5 ISO 9974	27
K	M14x1.5 ISO 6149	27
P	9/16" - 18 SAE ISO 11926	27

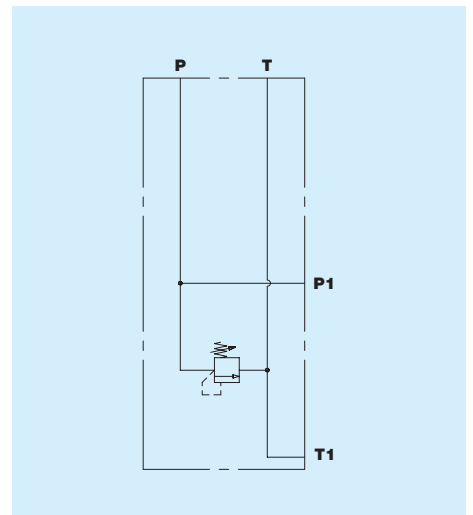
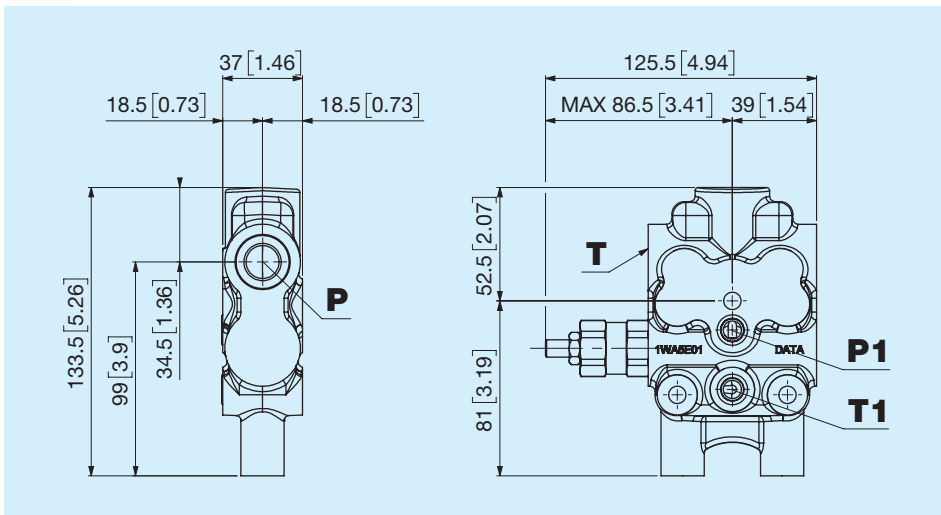
G With unloading valve



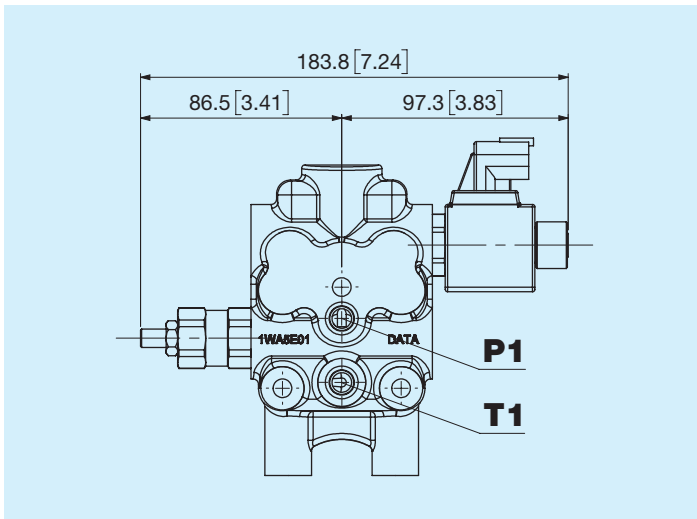
N Replacement cap



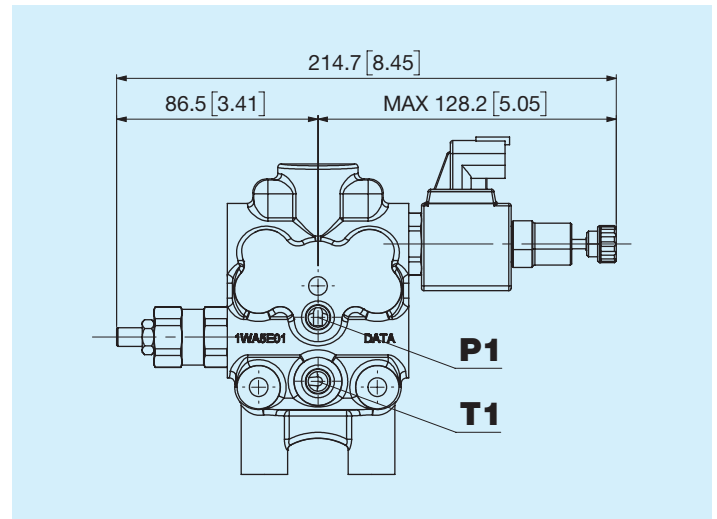
X Not machined



O Standard terminal



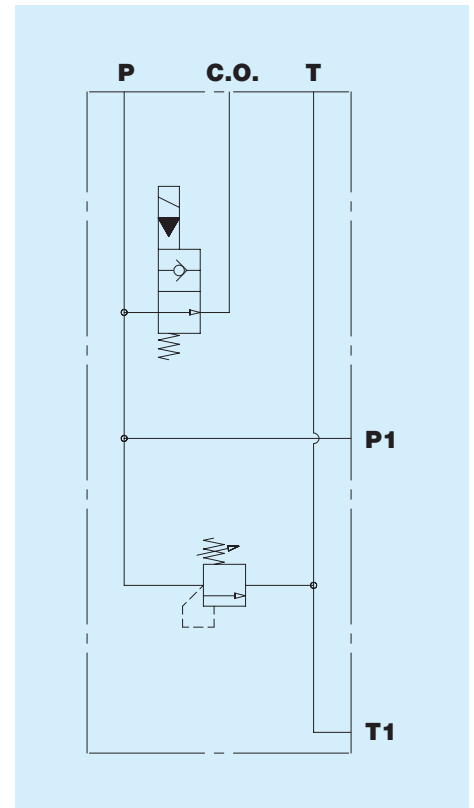
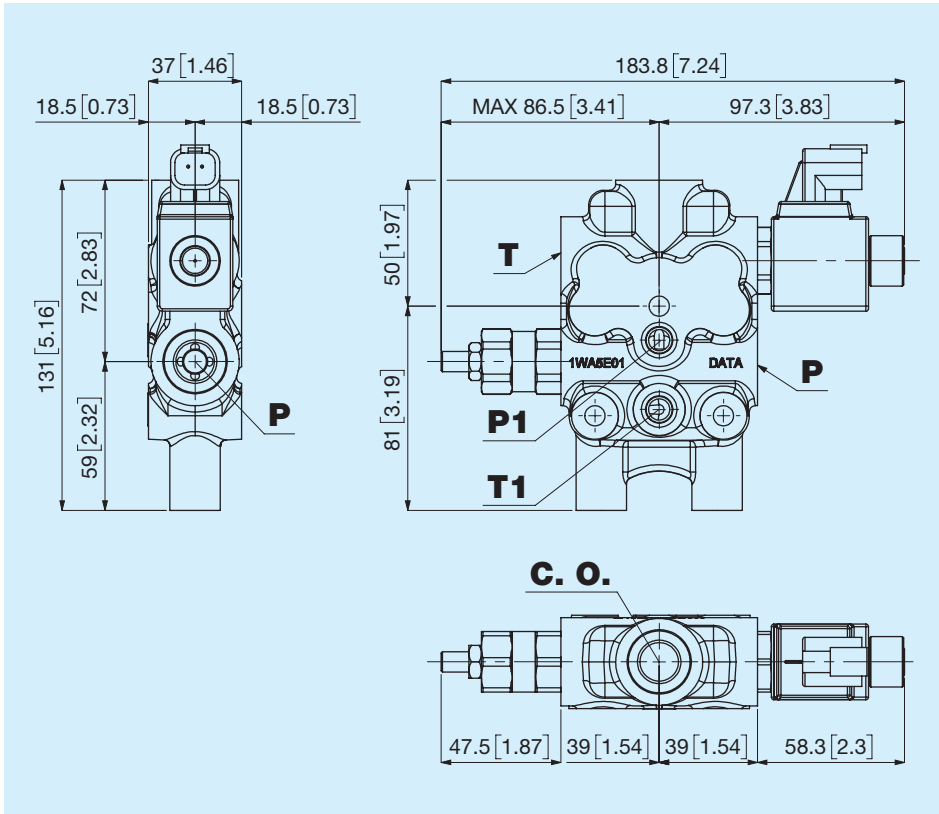
S Manual override with screw



Electrical characteristics of the unloading valve coil

Voltage	12	24	V (± 10%)
Resistance at 20°C	7,7	32	Ω (± 7%)
Rated current	1,55	0,75	A
Power	18,6	18	W

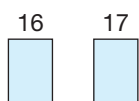
C.O. - Carry Over



Thread port Carry over

Code	Type	Tightening ± 10% Nm
3/8" GAS ISO 1179	45	A
C	M18x1.5 ISO 9974	45
W	M18x1.5 ISO 6149	45
E	3/4" - 16 SAE ISO 11926	45
O	None	

	1	2	3	4	5	6	7	8	9	10	11	12	13	14	15
TE050E															
1	Thread type														
	F Female														
2	Thread port P														
	A 3/8" GAS ISO 1179				C M18x1.5 ISO 9974				W M18x1.5 ISO 6149				E 3/4" - 16 SAE ISO 11926		
3	Thread port T														
	A 3/8" GAS ISO 1179				C M18x1.5 ISO 9974				W M18x1.5 ISO 6149				E 3/4" - 16 SAE ISO 11926		
4	Options on ports P-T														
	A P plugged				B T plugged				N None						
5	Options P-line and T-line														
	S Standard							A P-T through							
6 7	Cover height														
	H2 Standard							H3 High							
8	Thread port MP														
	N None				3 M14x1.5 ISO 9974				P 9/16" - 18 SAE ISO 11926						
	L 1/4" GAS ISO 1179				K M14x1.5 ISO 6149										
9	Thread port MT														
	N None				3 M14x1.5 ISO 9974				P 9/16" - 18 SAE ISO 11926						
	L 1/4" GAS ISO 1179				K M14x1.5 ISO 6149										
10	Options on ports MP - MT														
	N None				B MP plugged, MT not machined				F MP and MT plugged						
	A MP open, MT Not machined				E MP and MT open										
11	Type of unloading valve														
	N Replacement cap				A 12V DIN 43650				G 12V DEUTSCH DT04-2P						
	X Not machined				B 24V DIN 43650				H 24V DEUTSCH DT04-2P						
12	Type of emergency unloading valve														
	N None				O Standard terminal				S Manual override with screw						



Type of pressure relief valve

00 Replacement cap VMP	08 80 bar	14 140 bar	20 200 bar
03 30 bar	09 90 bar	15 150 bar	21 210 bar
04 40 bar	10 100 bar	16 160 bar	22 220 bar
05 50 bar	11 110 bar	17 170 bar	23 230 bar
06 60 bar	12 120 bar	18 180 bar	24 240 bar
07 70 bar	13 130 bar	19 190 bar	25 250 bar



Sealing type pressure relief valve

R Grub screw	P Sealed	N None
---------------------	-----------------	---------------



Thread port Carry over

0 None	C M18x1.5 ISO 9974	E 3/4" - 16 SAE ISO 11926
A 3/8" GAS ISO 1179	W M18x1.5 ISO 6149	



External treatment

N None	Z Zinc plating
---------------	-----------------------