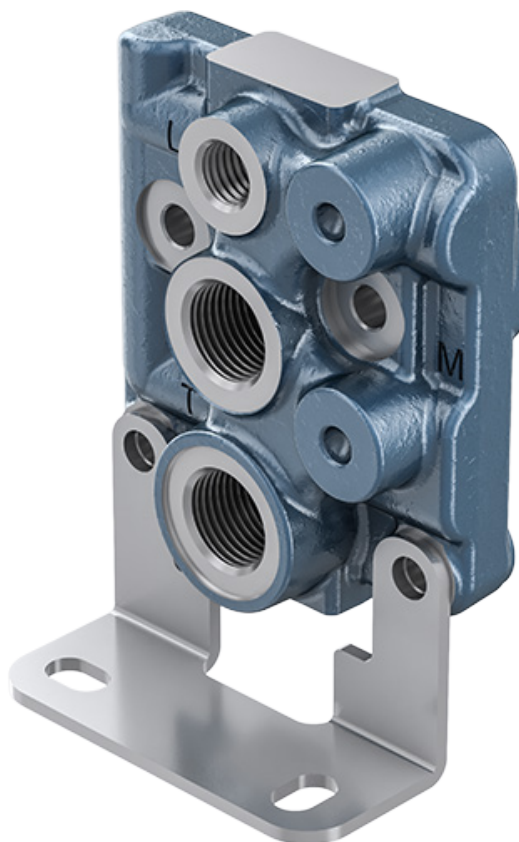
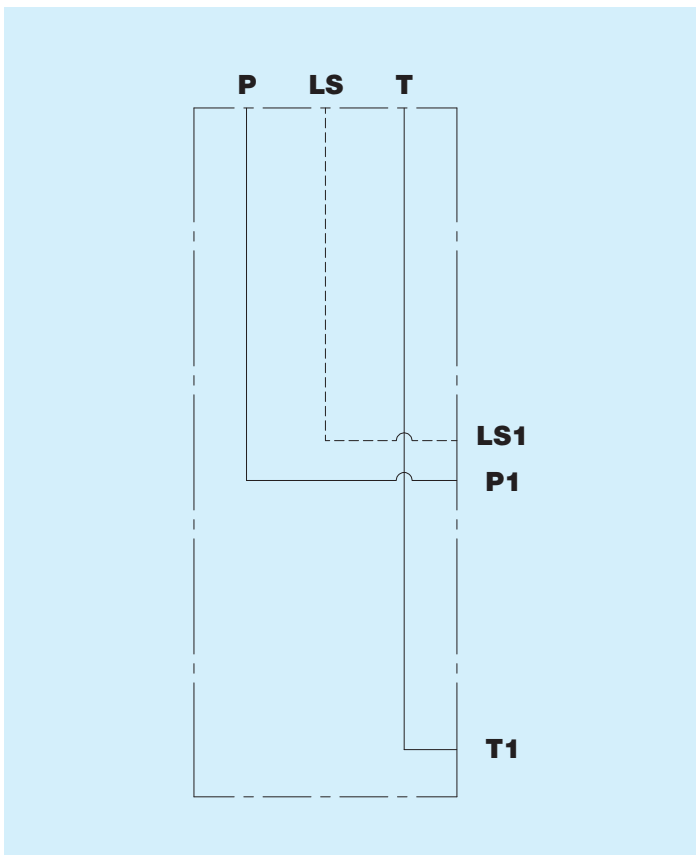


TE103F Inlet cover P-T-LS
Interface IBW1033

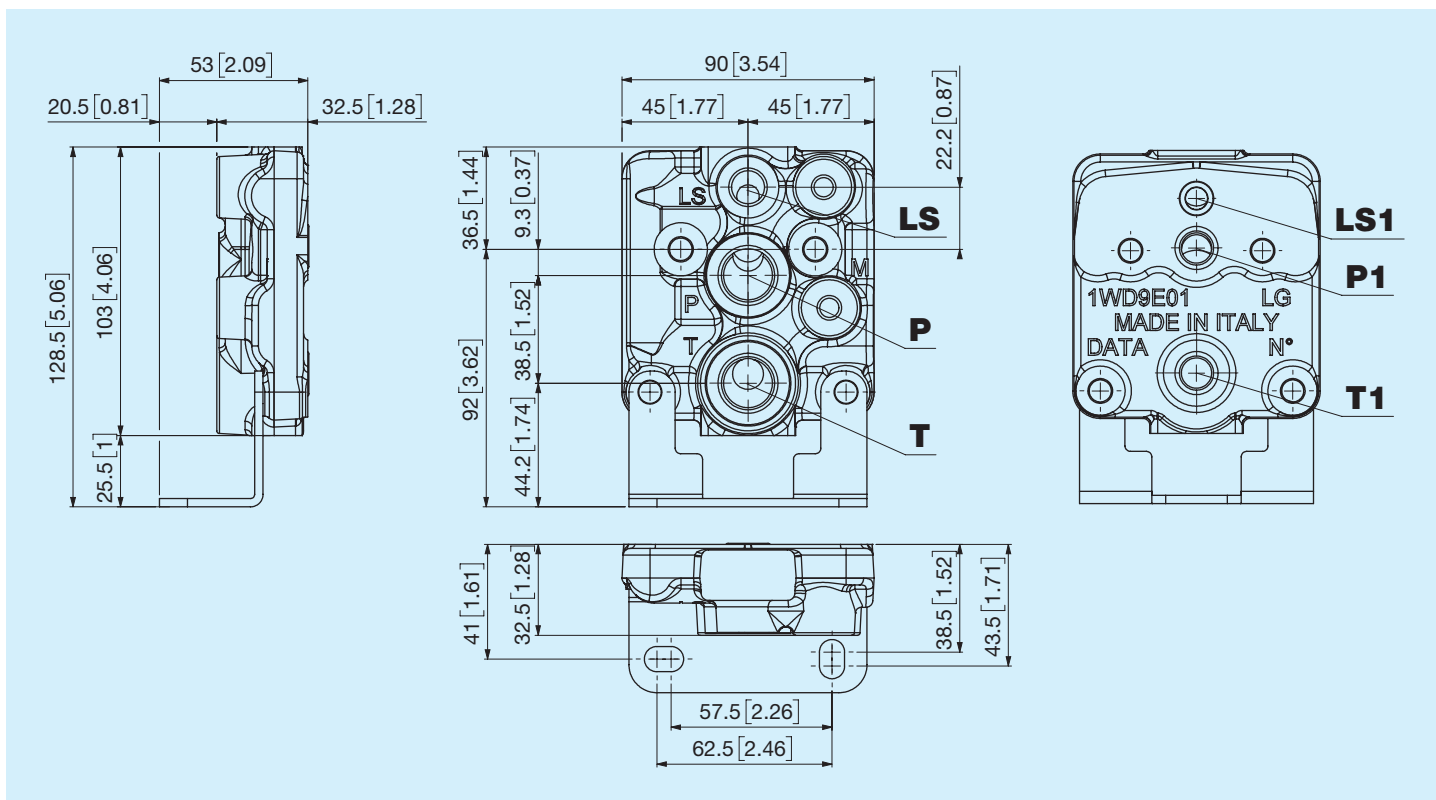


Prior to use, carefully read the document GENERAL USE INSTRUCTIONS FOR DIRECTIONAL CONTROL VALVES

Nominal flow rate	100 l/min 26.41 US gpm
Nominal pressure	250 bar 3625 psi
Maximum tank pressure	50 bar 725 psi
Operating temperature	-20°C +85°C NBR seals (max peak +100°C) -20°C + 130°C HNBR seals
Operating oil viscosity	from 15 mm²/s to 90 mm²/s (15 cSt to 90 cSt)
Fluid	Hydraulic fluids defined by the ISO 6743-4 standard
Weight	1.4 Kg 3.08 lb
Interface	IBW1033



Overall dimensions



Thread port P

Code	Type	Tightening $\pm 10\%$ Nm
B	1/2" GAS ISO 1179	70
N	M22x1.5 ISO 9974	70
J	M22x1.5 ISO 6149	70
R	7/8" - 14 SAE ISO 11926	70

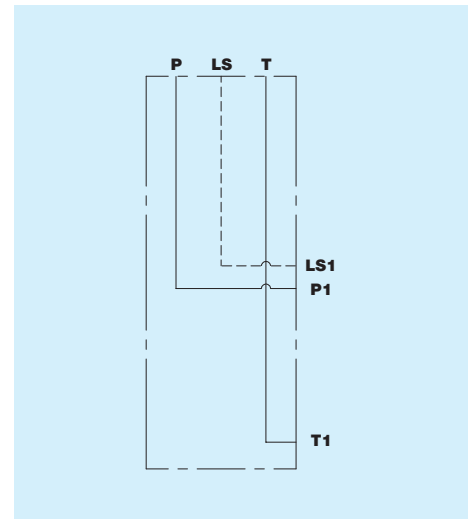
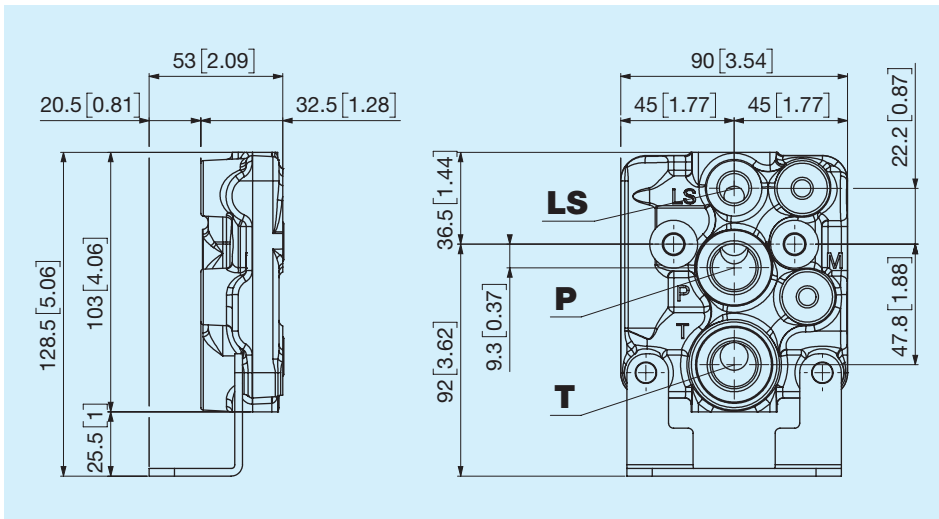
Thread port T

Code	Type	Tightening $\pm 10\%$ Nm
O	Not machined	
B	1/2" GAS ISO 1179	70
F	3/4" GAS ISO 1179	150
N	M22x1.5 ISO 9974	70
J	M22x1.5 ISO 6149	70
5	M27x2 ISO 9974	150
U	M27x2 ISO 6149	150
R	7/8" - 14 SAE ISO 11926	70
V	1" 1/16 - 12 SAE ISO 11926	150

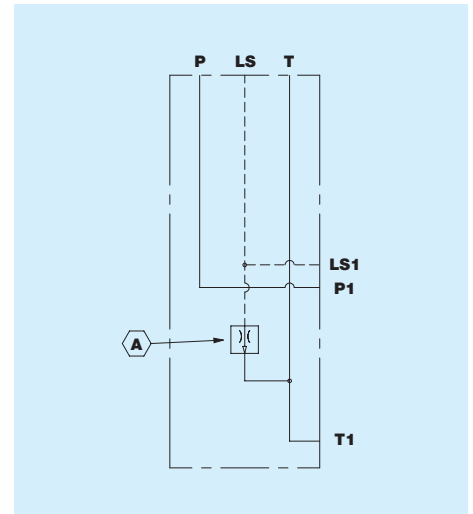
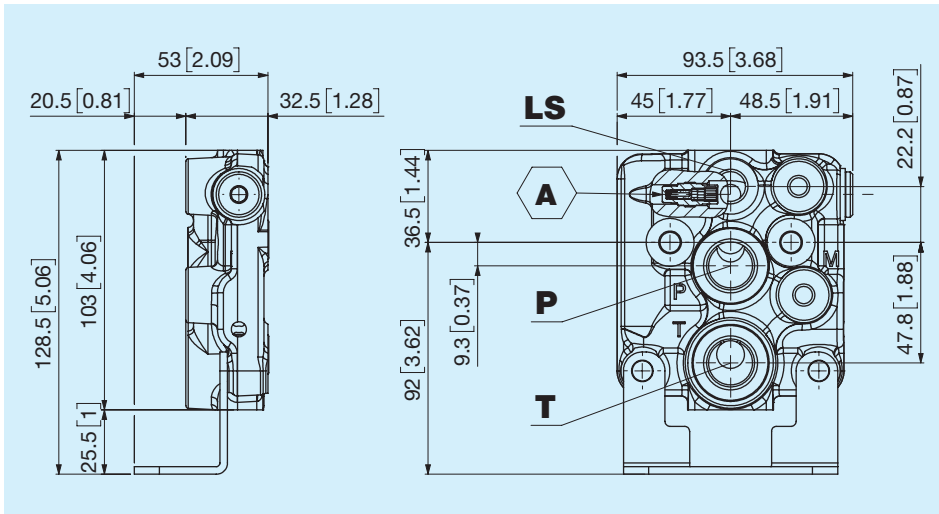
Thread on port LS

Code	Type	Tightening $\pm 10\%$ Nm
L	1/4" GAS ISO 1179	27
3	M14x1.5 ISO 9974	27
K	M14x1.5 ISO 6149	27
P	9/16" - 18 SAE ISO 11926	27

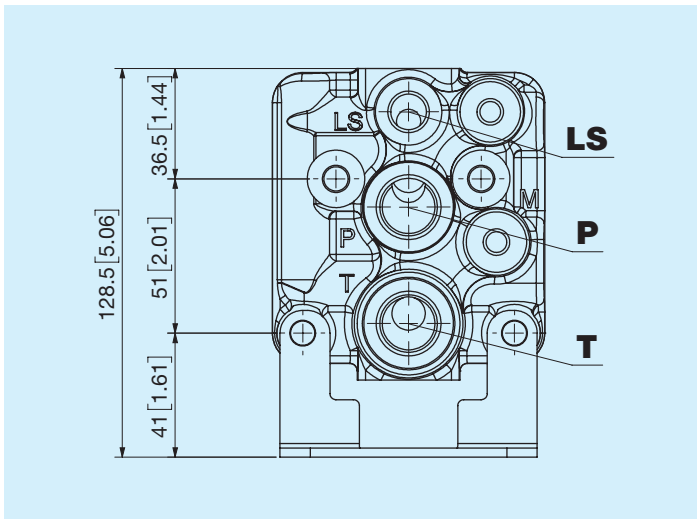
N None



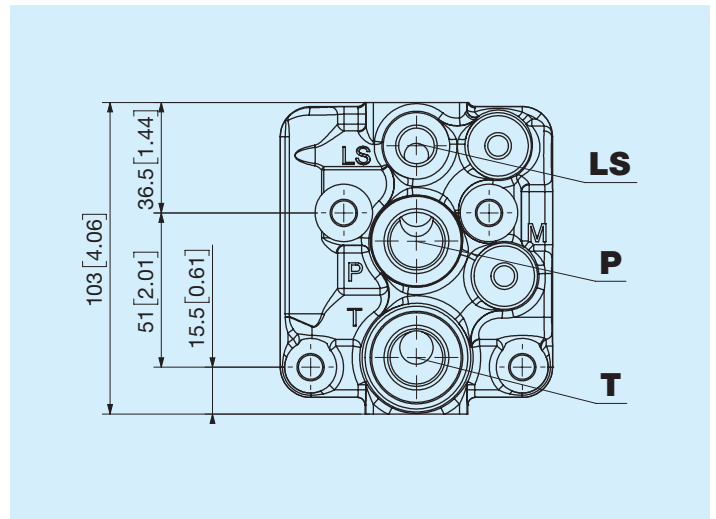
A With drain valve 0.5 l/min



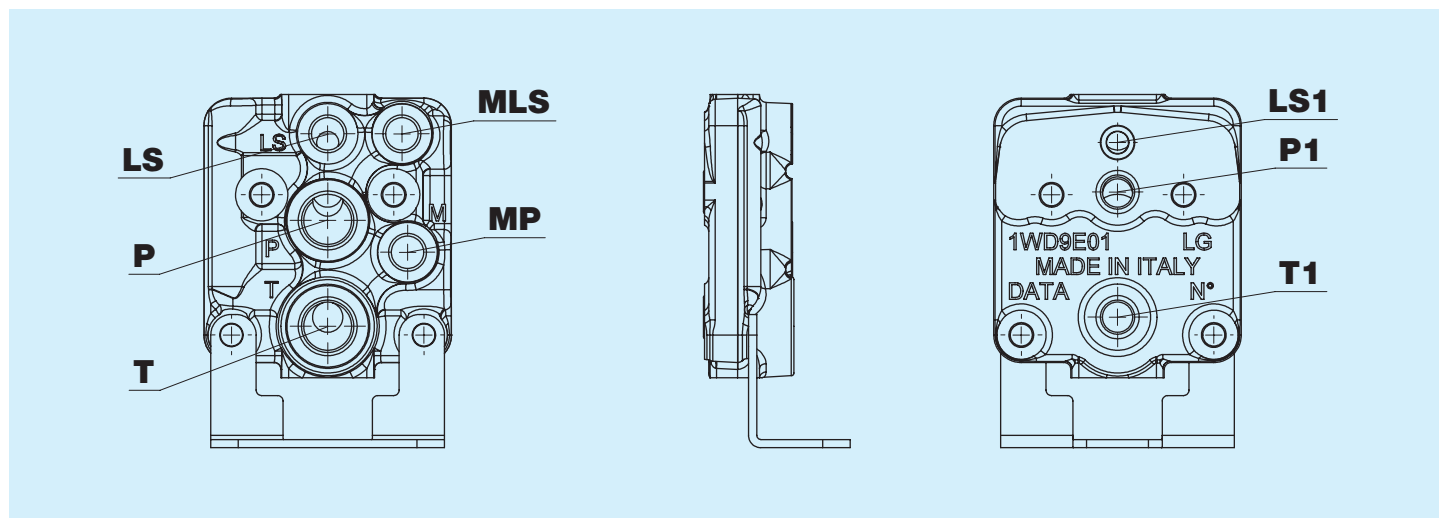
H3 High



NN None



MP and MLS - Gauge ports



Thread ports MP and MLS

Code	Type	Tightening $\pm 10\%$ Nm
N	None	
L	1/4" GAS ISO 1179	27
3	M14x1.5 ISO 9974	27
K	M14x1.5 ISO 6149	27
P	9/16" - 18 SAE ISO 11926	27

	1	2	3	4	5	6	7	8	9	10	11	12
TE103F	<input type="checkbox"/>	<input type="checkbox"/>	<input type="checkbox"/>	<input type="checkbox"/>	<input type="checkbox"/>	<input type="checkbox"/>	<input type="checkbox"/>	<input type="checkbox"/>	<input type="checkbox"/>	<input type="checkbox"/>	<input type="checkbox"/>	<input type="checkbox"/>
1	Thread type											
<input type="checkbox"/>	F Female											
2	Thread port P											
<input type="checkbox"/>	B 1/2" GAS ISO 1179			N M22x1.5 ISO 9974			J M22x1.5 ISO 6149			R 7/8" - 14 SAE ISO 11926		
3	Thread port T											
<input type="checkbox"/>	0 Not machined			N M22x1.5 ISO 9974			U M27x2 ISO 6149					
	B 1/2" GAS ISO 1179			J M22x1.5 ISO 6149			R 7/8" - 14 SAE ISO 11926					
	F 3/4" GAS ISO 1179			5 M27x2 ISO 9974			V 1" 1/16 - 12 SAE ISO 11926					
4	Thread port LS											
<input type="checkbox"/>	L 1/4" GAS ISO 1179			3 M14x1.5 ISO 9974			K M14x1.5 ISO 6149			P 9/16" - 18 SAE ISO 11926		
5	Options on ports P-T-LS											
<input type="checkbox"/>	A P-T-LS open			B P-T open, LS plugged			C P open, T-LS plugged			D P-LS open, T plugged		
6	Options on LS-line											
<input type="checkbox"/>	N None			A With drain valve 0.5 l/min								
7 8	Bracket height											
<input type="checkbox"/>	H3 High			NN None								
9	Thread port MP											
<input type="checkbox"/>	N None			3 M14x1.5 ISO 9974			P 9/16" - 18 SAE ISO 11926					
	L 1/4" GAS ISO 1179			K M14x1.5 ISO 6149								
10	Thread port MLS											
<input type="checkbox"/>	N None			3 M14x1.5 ISO 9974			P 9/16" - 18 SAE ISO 11926					
	L 1/4" GAS ISO 1179			K M14x1.5 ISO 6149								
11	Options on ports MP - MLS											
<input type="checkbox"/>	N None			E MP and MLS open			F MP and MLS plugged					
12	External treatment											
<input type="checkbox"/>	N None			Z Zinc plating								