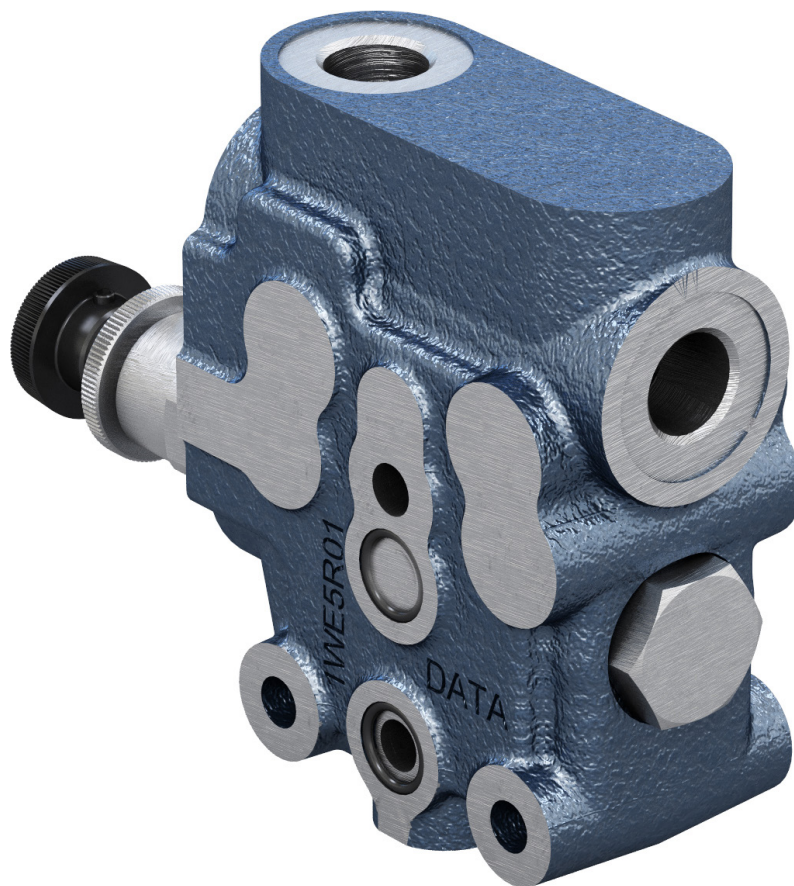
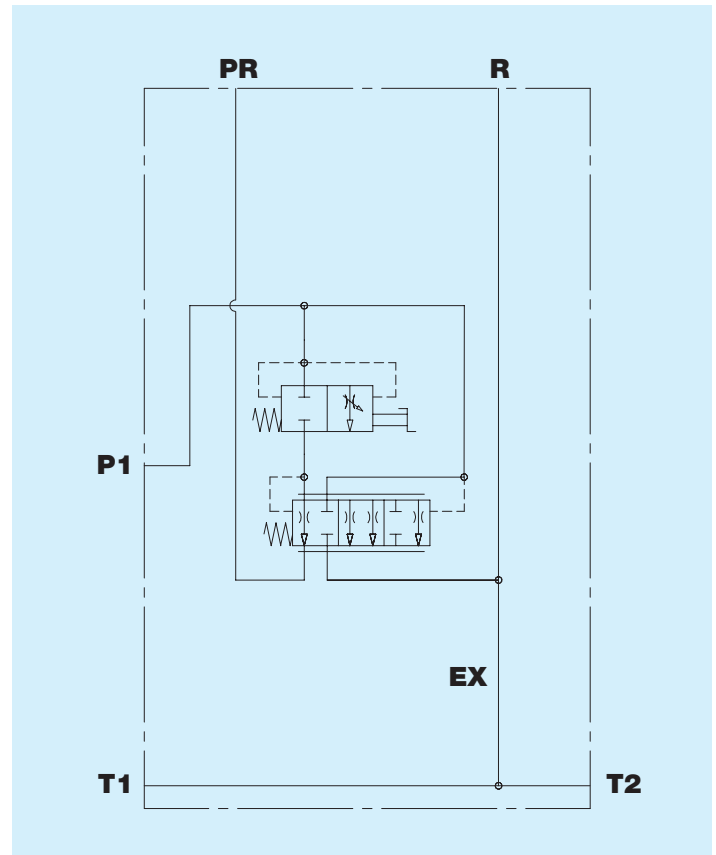


RF0500FM Manual compensated flow rate regulator
with recovery and excess on unloading
Interface IBW0500

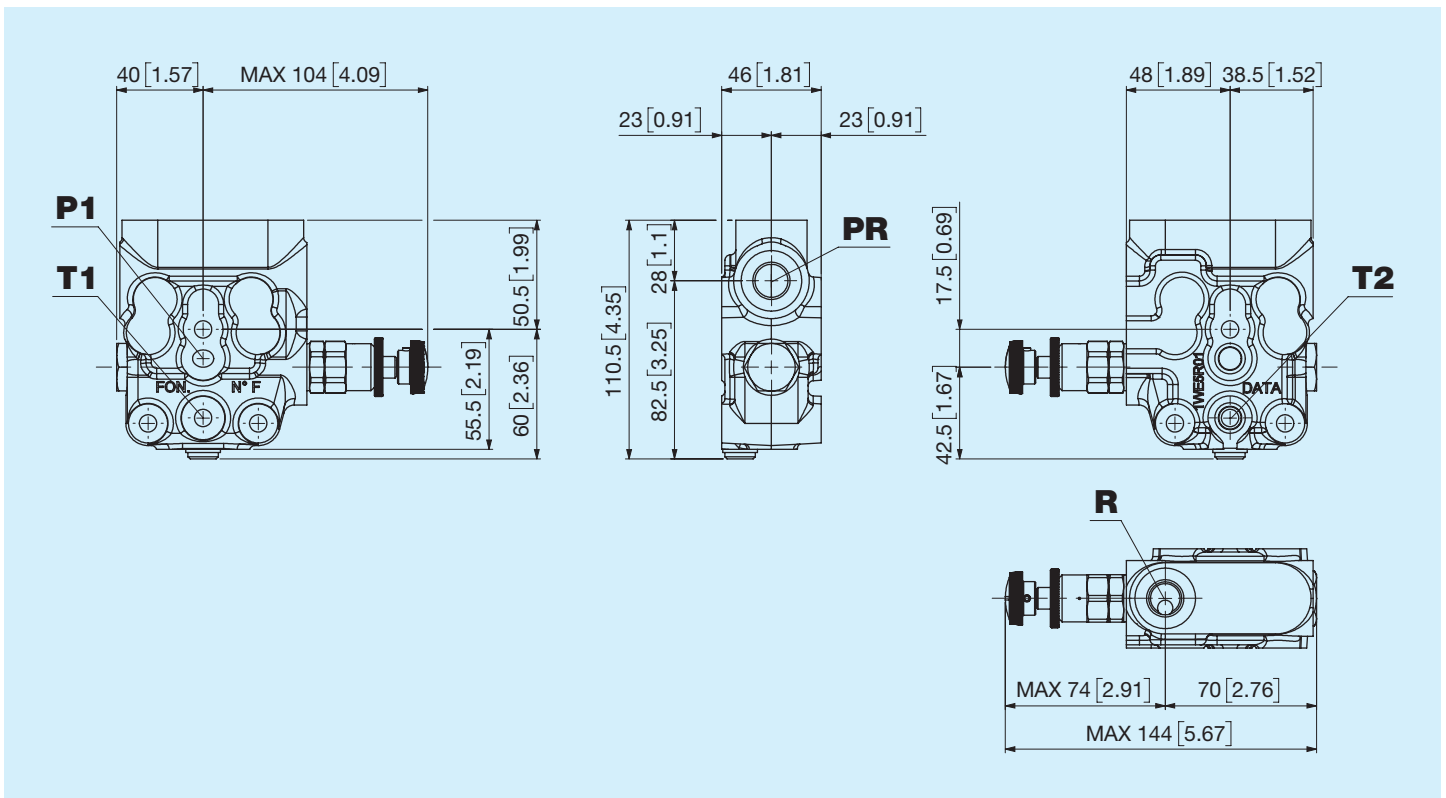


Before use, carefully read the GENERAL INSTRUCTIONS FOR USE OF DIRECTIONAL CONTROL VALVES

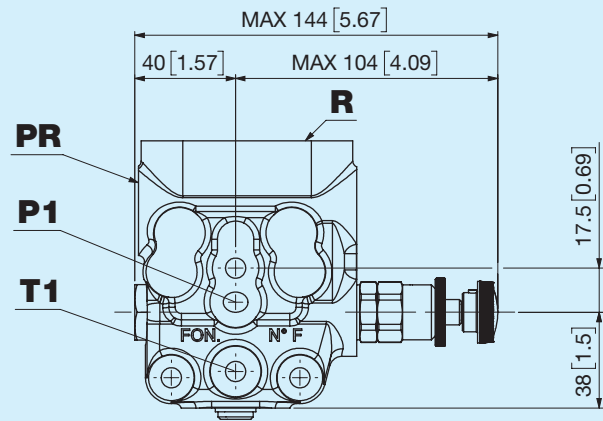
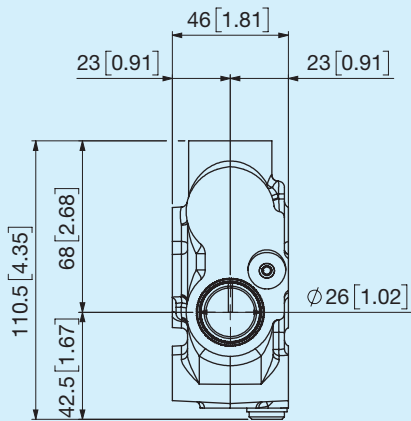
Nominal flow	50 l/min 13.2 US gpm
Nominal pressure	250 bar 3625 psi
Maximum tank pressure	50 bar 725 psi
Regulated flow rate	40 l/min - 10.56 US gpm 20 l/min - 5.28 US gpm
Temperature range	-20°C +85°C NBR seals (max peak +100°C) -20°C + 130°C HNBR seals
Oil viscosity	from 15 mm²/s to 90 mm²/s (15 cSt to 90 cSt)
Fluid	Hydraulic fluids as defined in ISO 6743-4 standard
Weight	2.6 kg 5.73 lb
Interface	IBW0500



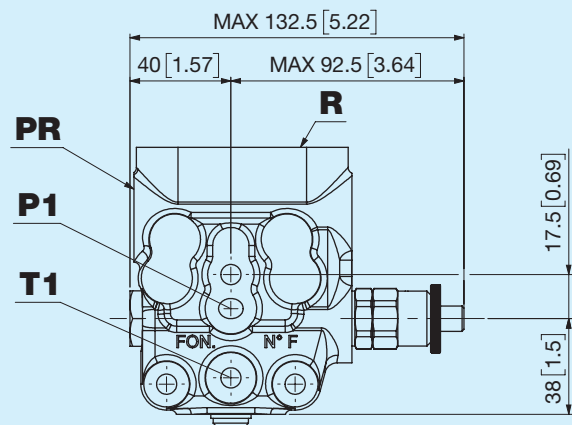
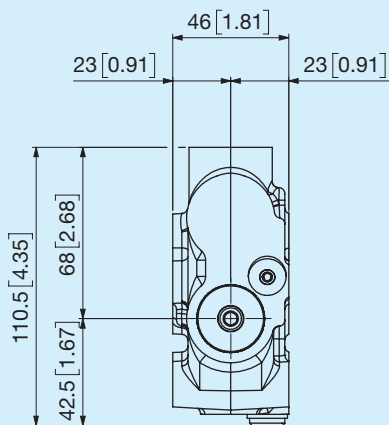
Dimensions



V With hand-wheel

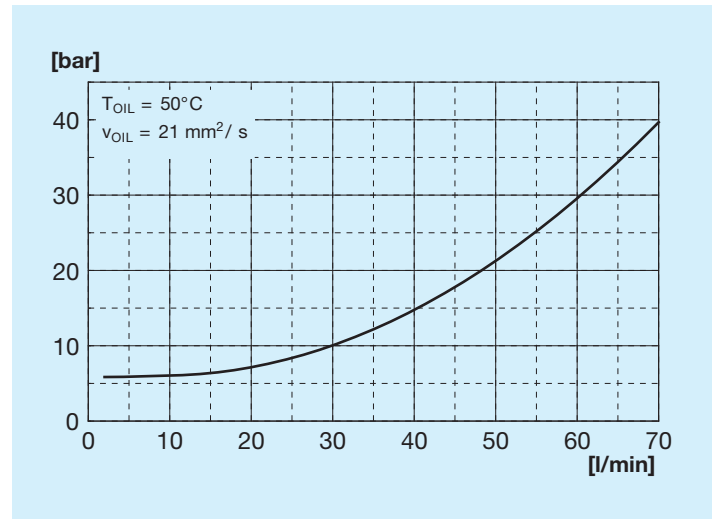
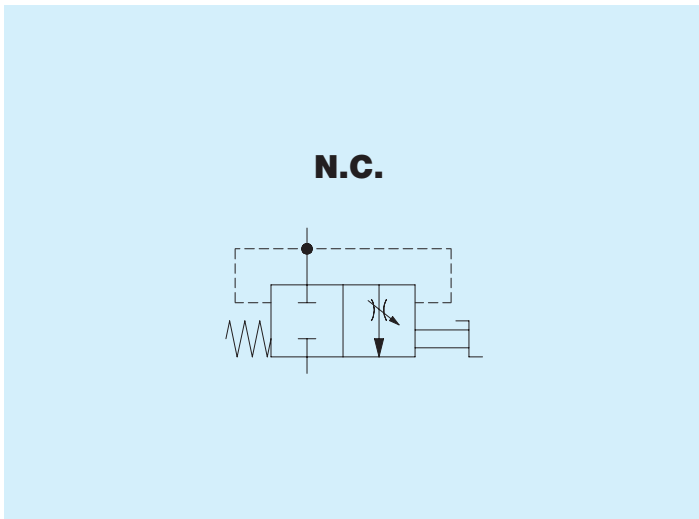


M With hex wrench screw



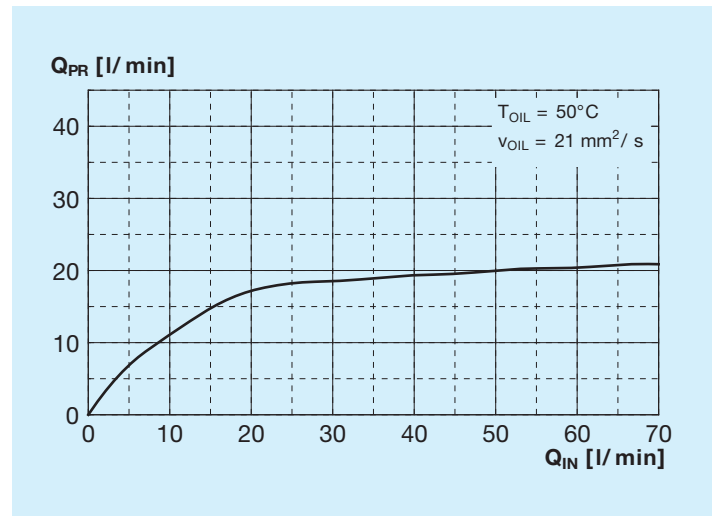
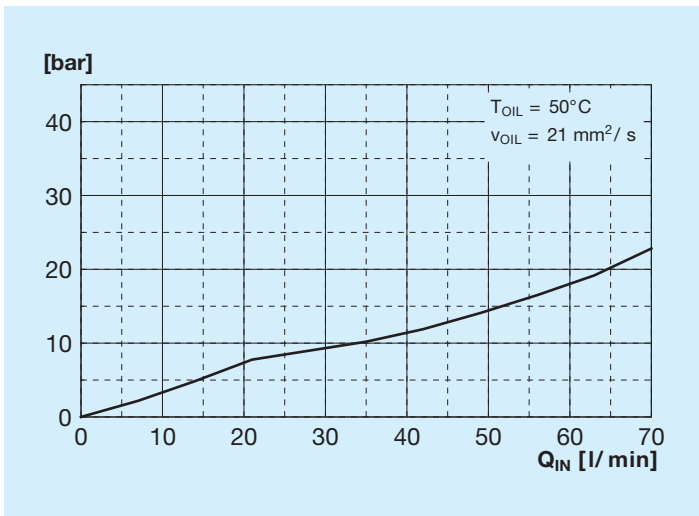
2-way priority cursor N.C.

ΔP P - EX/T



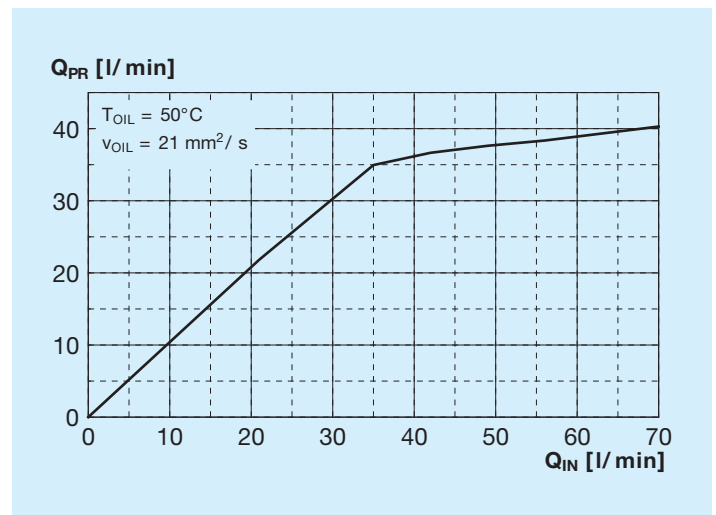
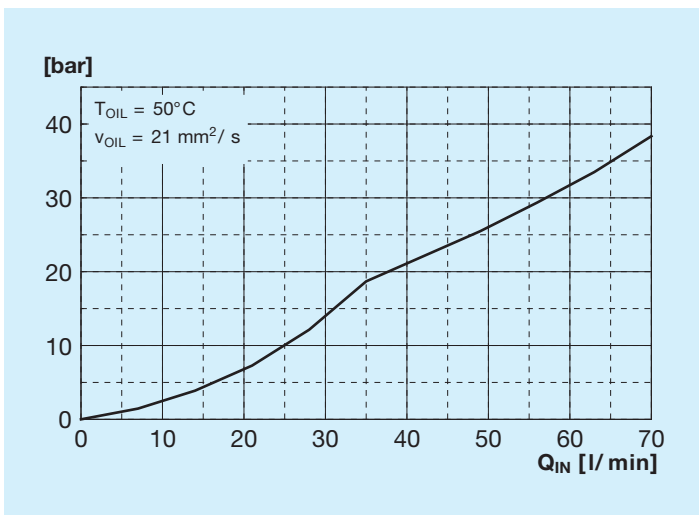
ΔP P - PR cursor 0-20 l/min

Flow rate P - PR cursor 0-20 l/min



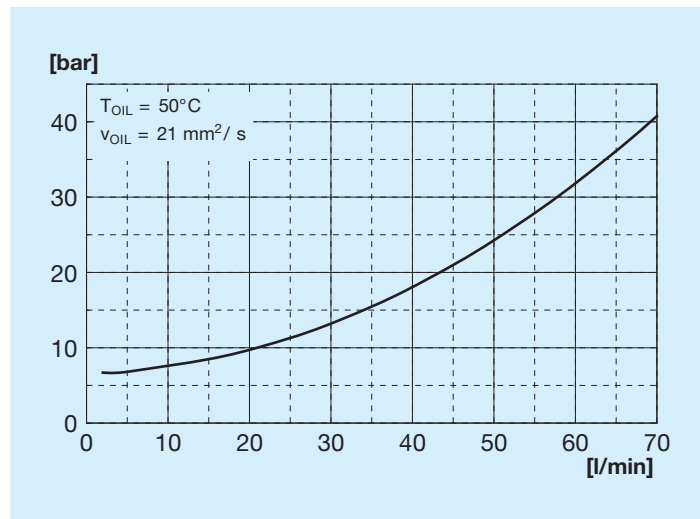
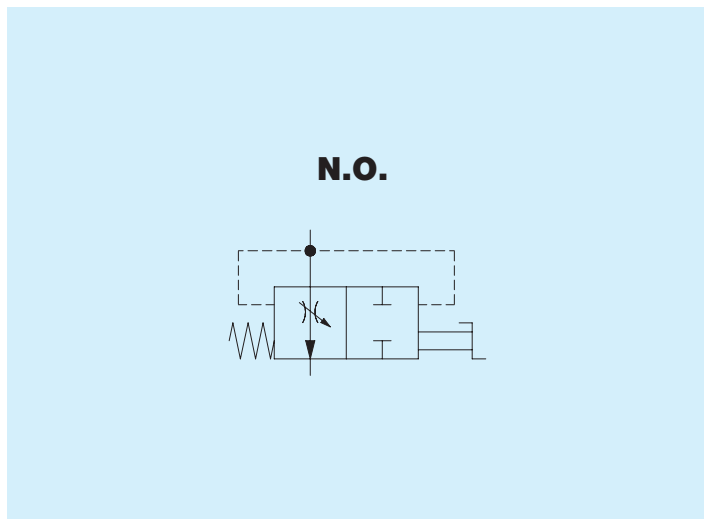
ΔP P - PR cursor 0-40 l/min

Flow rate P - PR cursor 0-40 l/min



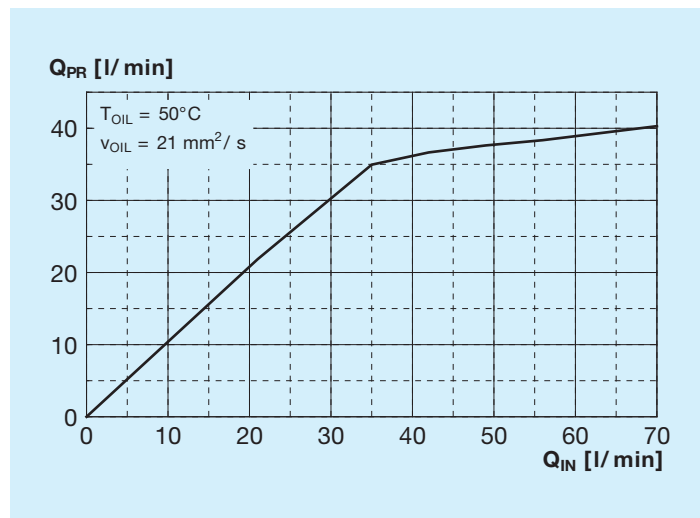
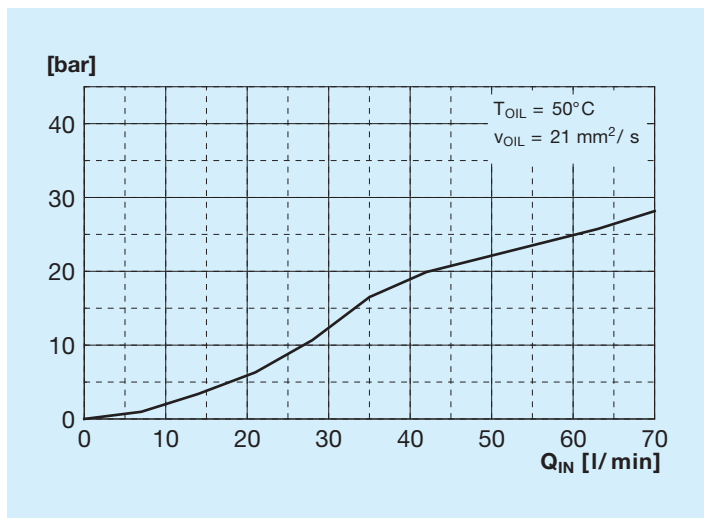
2-way priority cursor N.O.

ΔP P - EX/T



ΔP P - PR cursor 40-0 l/min

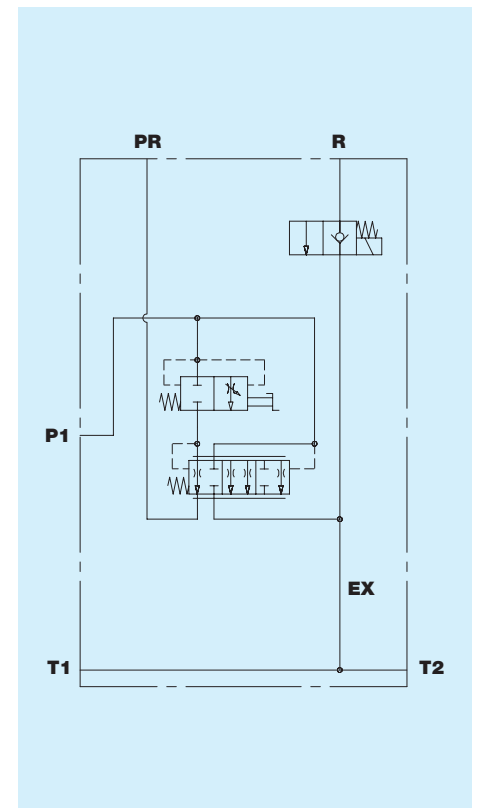
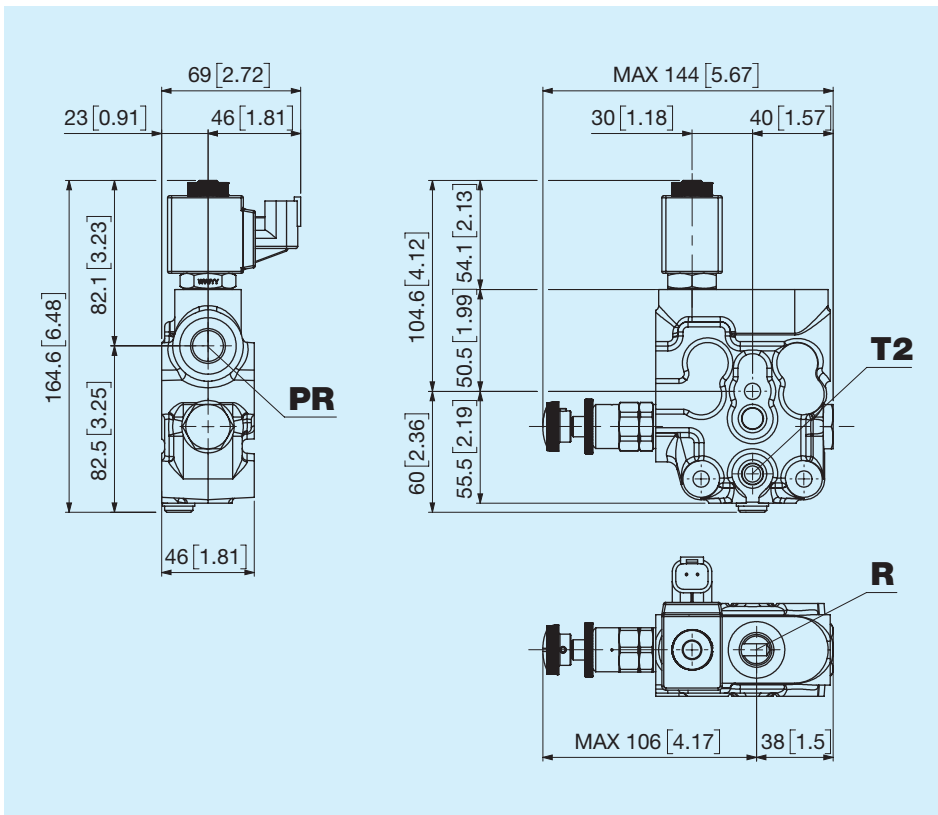
Flow rate P - PR Cursor 40-0 l/min

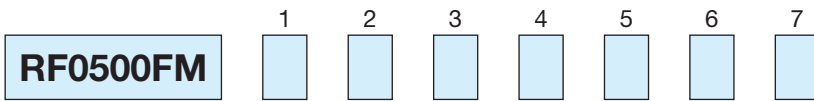


Thread ports PR - R

Model	Type	Torque Nm
A	3/8" GAS ISO 1179	40
C	M18x1.5 ISO 9974	40
W	M18x1.5 ISO 6149	40
E	3/4" 16 SAE ISO 11926	50

A NE Solenoid operated valve 2/2





1	Actuator options	
1	V With hand-wheel	M With hex wrench screw
2	Regulated flow rate	
2	A N.C. Normally closed 0 - 40 l/min 0 - 10.56 US	B N.C. Normally closed 0 - 20 l/min 0 - 5.28 US gpm
		C N.O. Normally open 40 - 0 l/min 10.56 - 0 US
3	Thread type	
3	F Female	M Male
4	Thread ports PR - R	
4	A 3/8" GAS ISO 1179	C M18x1.5 ISO 9974
		W M18x1.5 ISO 6149
		E 3/4" - 16 SAE ISO 11926
5	Options line EX	
5	N None	A NE Solenoid operated valve 2/2
		B VL - Pressure limiting valve
		C NE + VL
6	NE voltage and connector	
6	N None	B 24V DIN 43650
	A 12V DIN 43650	H 24V Deutsch
		G 12V Deutsch
7	External treatment	
7	A External treatment	N None