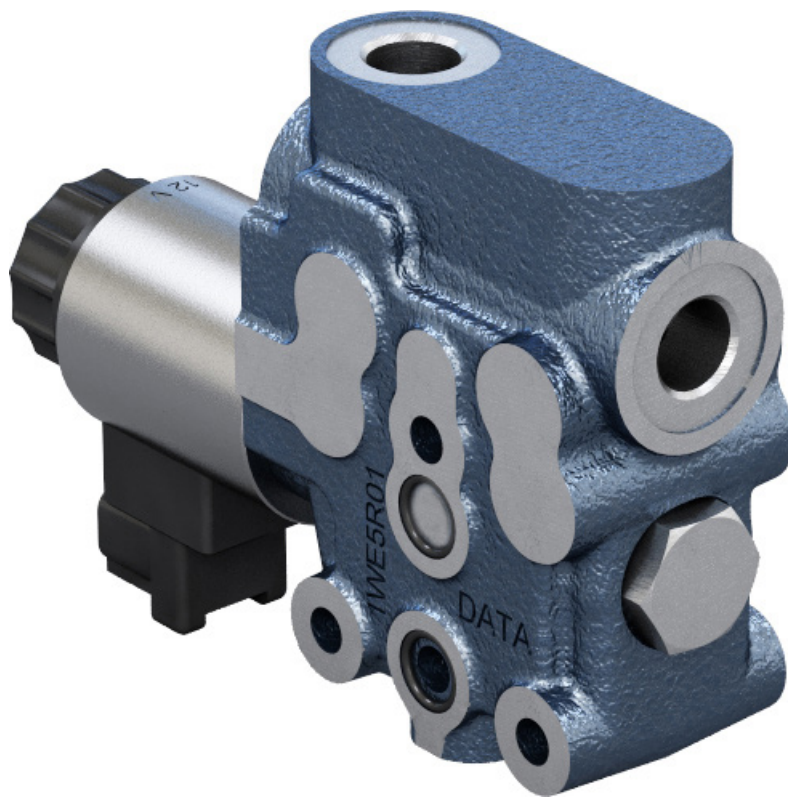
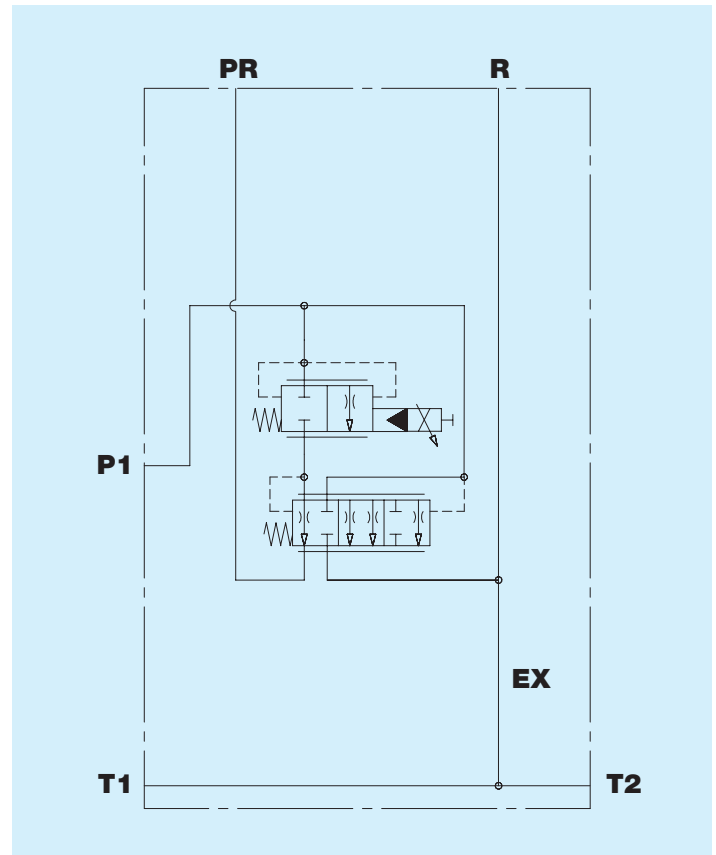


RF0500FP Proportional compensated flow rate regulator with recovery and excess on unloading
Interface IBW0500

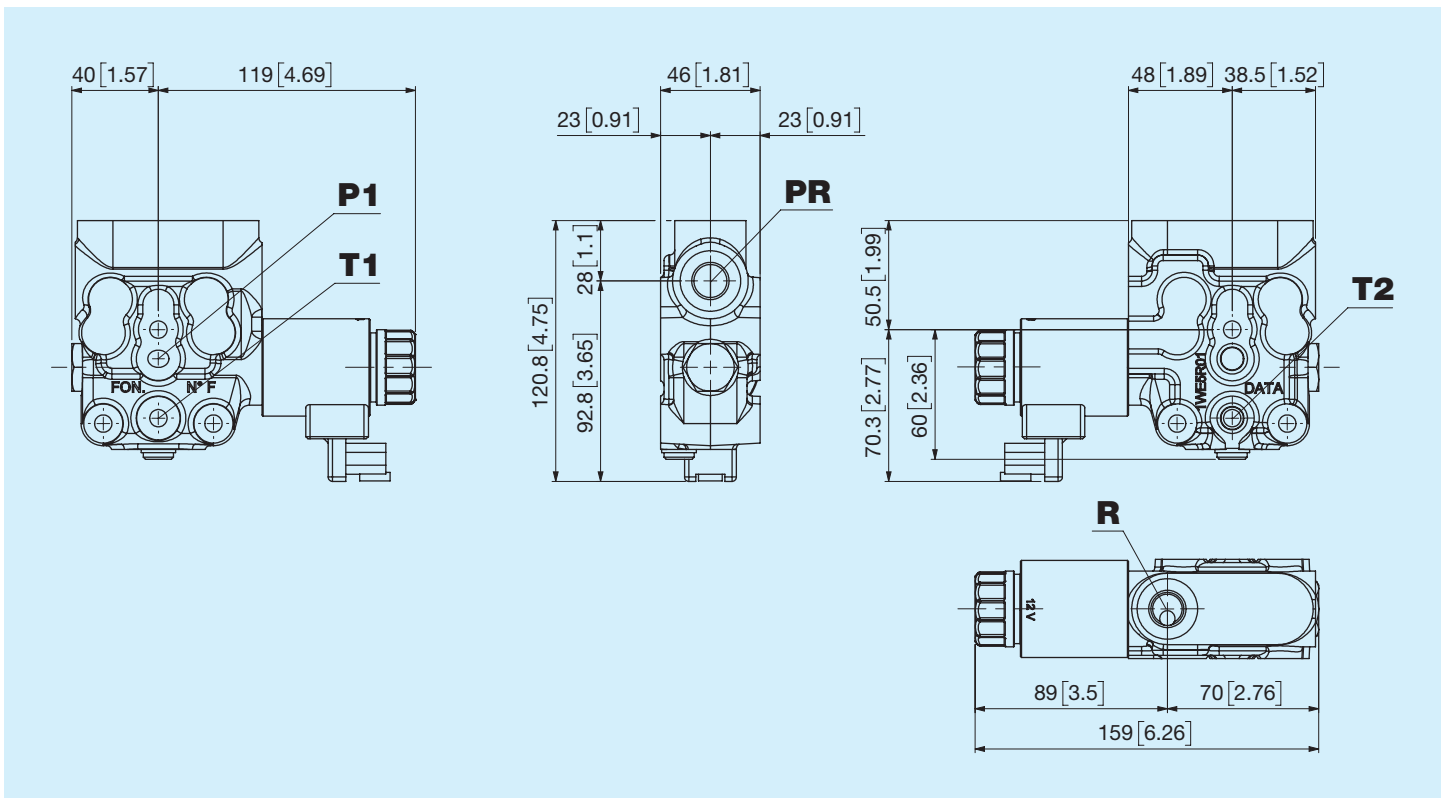


Before use, carefully read the GENERAL INSTRUCTIONS FOR USE OF DIRECTIONAL CONTROL VALVES

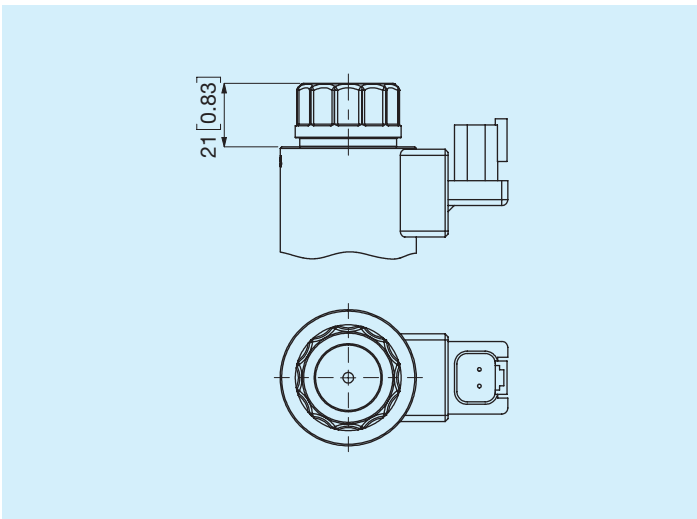
Nominal flow	50 l/min 13.2 US gpm
Nominal pressure	250 bar 3625 psi
Maximum tank pressure	50 bar 725 psi
Regulated flow rate	40 l/min - 10.56 US gpm 20 l/min - 5.28 US gpm
Temperature range	-20°C +85°C NBR seals (max peak +100°C) -20°C + 130°C HNBR seals
Oil viscosity	from 15 mm²/s to 90 mm²/s (15 cSt to 90 cSt)
Fluid	Hydraulic fluids as defined in ISO 6743-4 standard
Weight	2.6 kg 5.73 lb
Interface	IBW0500



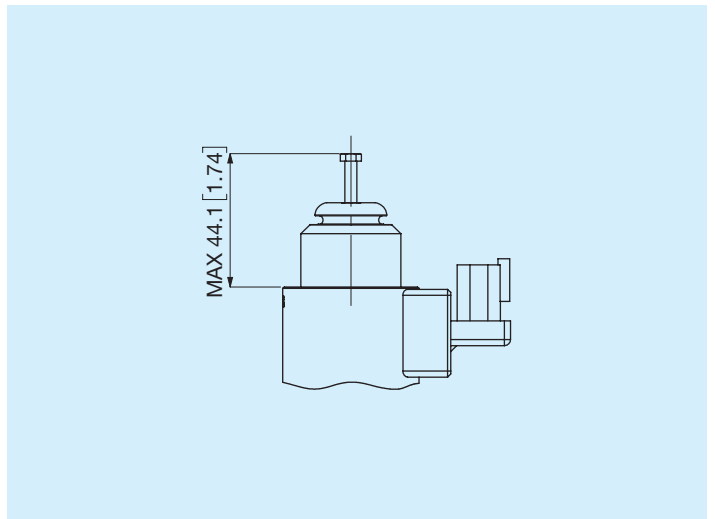
Dimensions



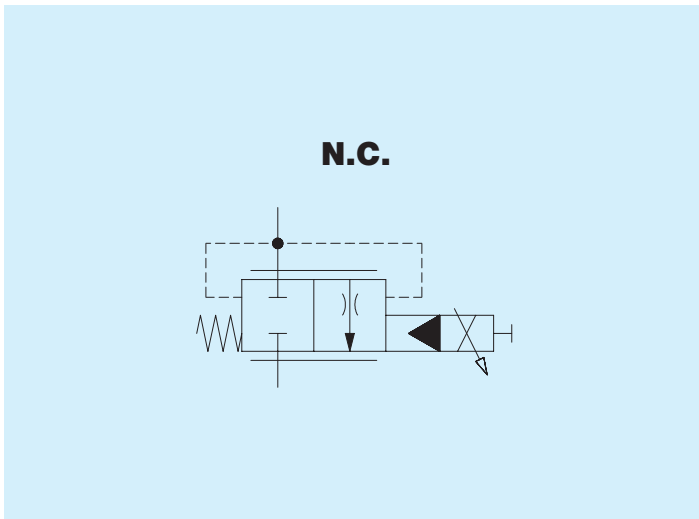
S Standard



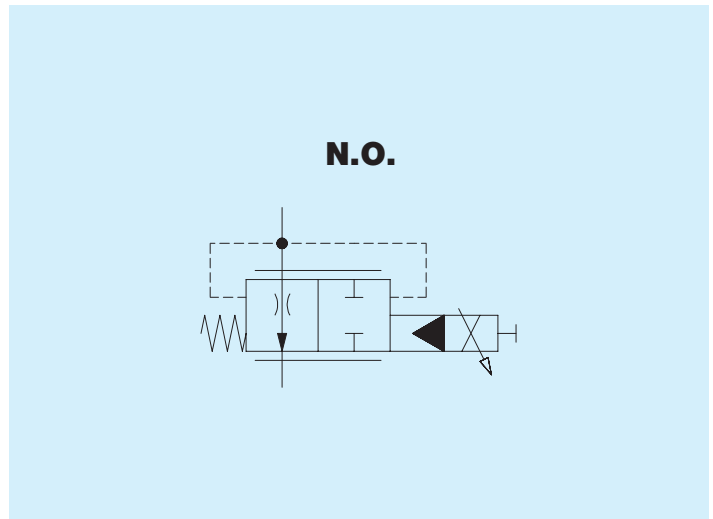
E Emergency screw



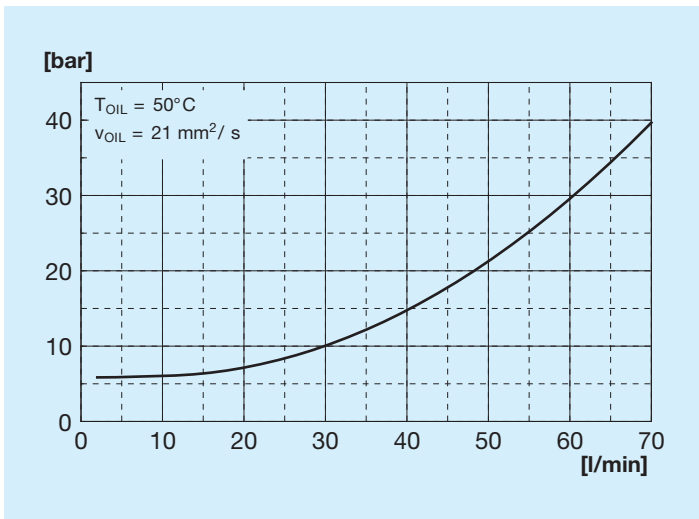
A **B** 2-way priority cursor N.C.



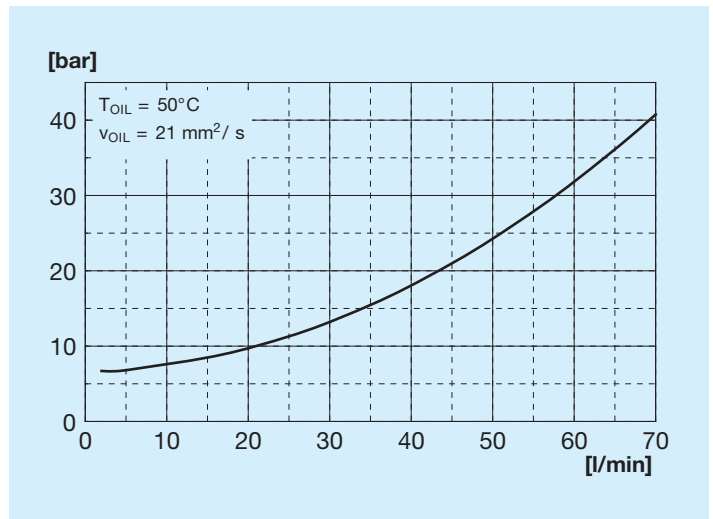
C 2-way priority cursor N.O.



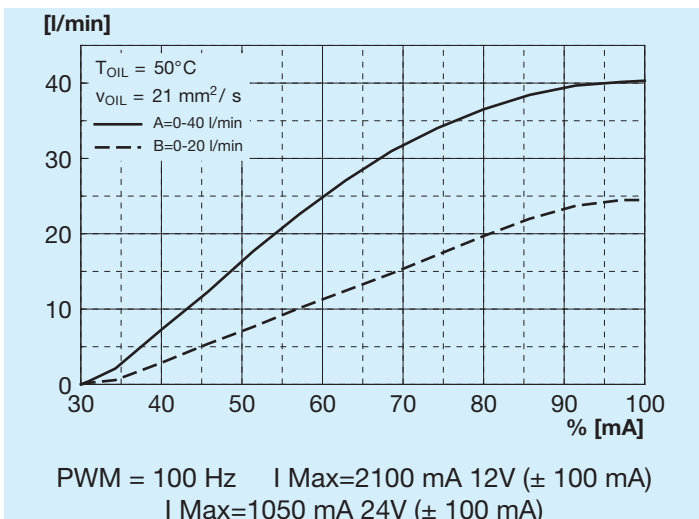
ΔP P - EX/T 2-way priority cursor N.C.



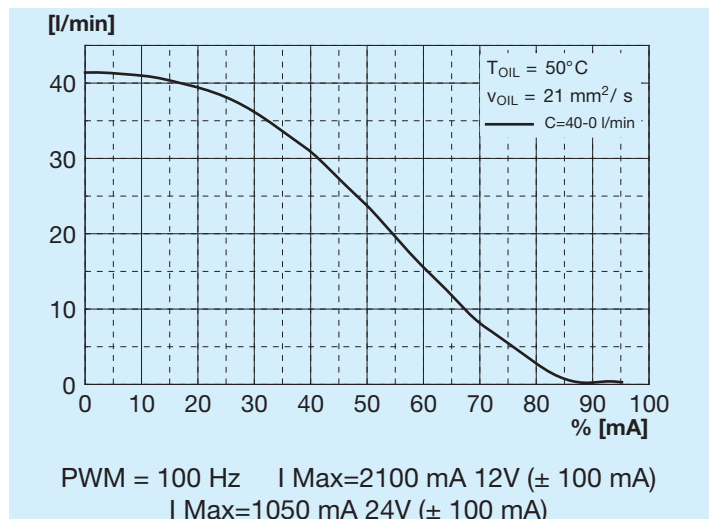
ΔP P - EX/T 2-way priority cursor N.O.



2-way priority metering cursor N.C.



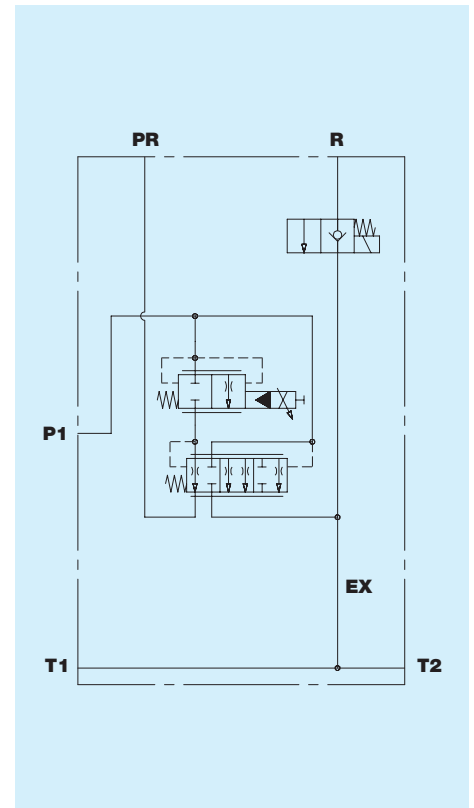
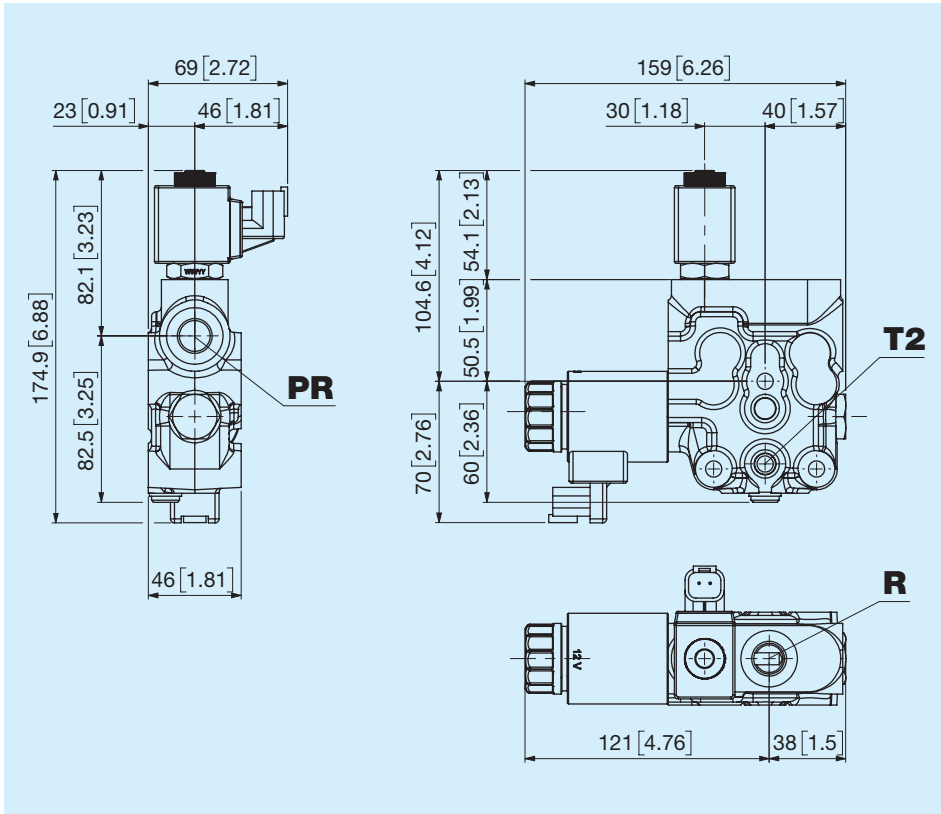
2-way priority metering cursor N.O.

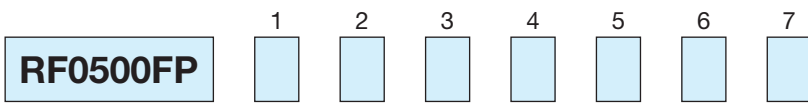


Thread ports PR - R

Model	Type	Torque Nm
A	3/8" GAS ISO 1179	40
C	M18x1.5 ISO 9974	40
W	M18x1.5 ISO 6149	40
E	3/4" 16 SAE ISO 11926	50

A NE Solenoid operated valve 2/2





1	Actuator options
1	S Standard E Emergency screw
2	Regulated flow rate
2	A N.C. Normally closed 0 - 40 l/min 0 - 10.56 US B N.C. Normally closed 0 - 20 l/min 0 - 5.28 US gpm C N.O. Normally open 40 - 0 l/min 10.56 - 0 US
3	Thread type
3	F Female M Male
4	Thread ports PR - R
4	A 3/8" GAS ISO 1179 C M18x1.5 ISO 9974 W M18x1.5 ISO 6149 E 3/4" - 16 SAE ISO 11926
5	Options line EX
5	N None A NE Solenoid operated valve 2/2
6	Voltage and connector
6	A 12V DIN 43650 B 24V DIN 43650 G 12V Deutsch H 24V Deutsch
7	External treatment
7	A External treatment N None