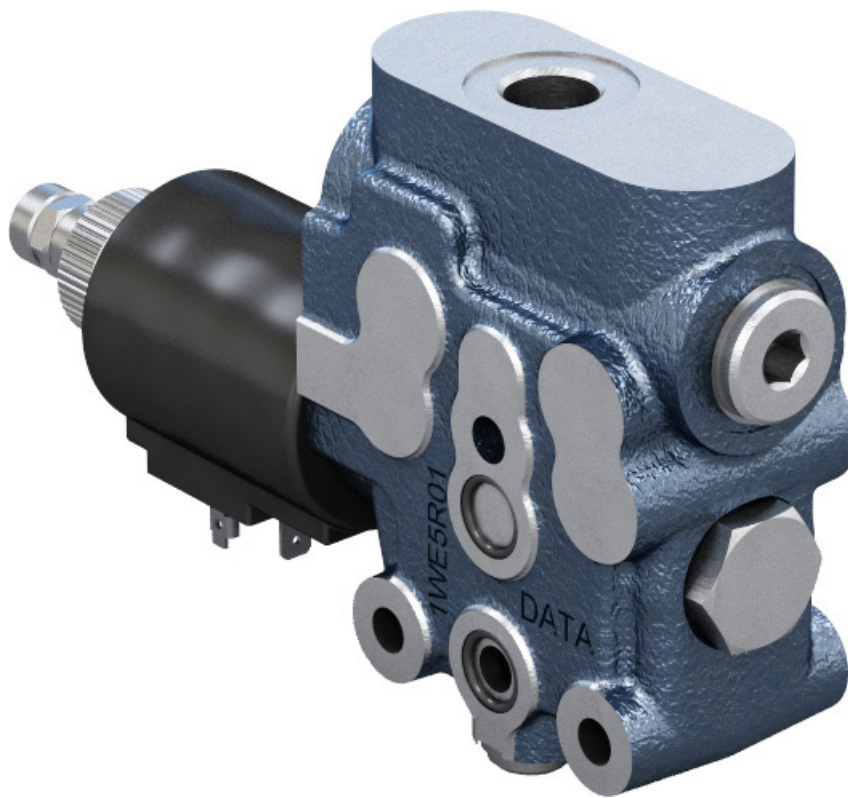
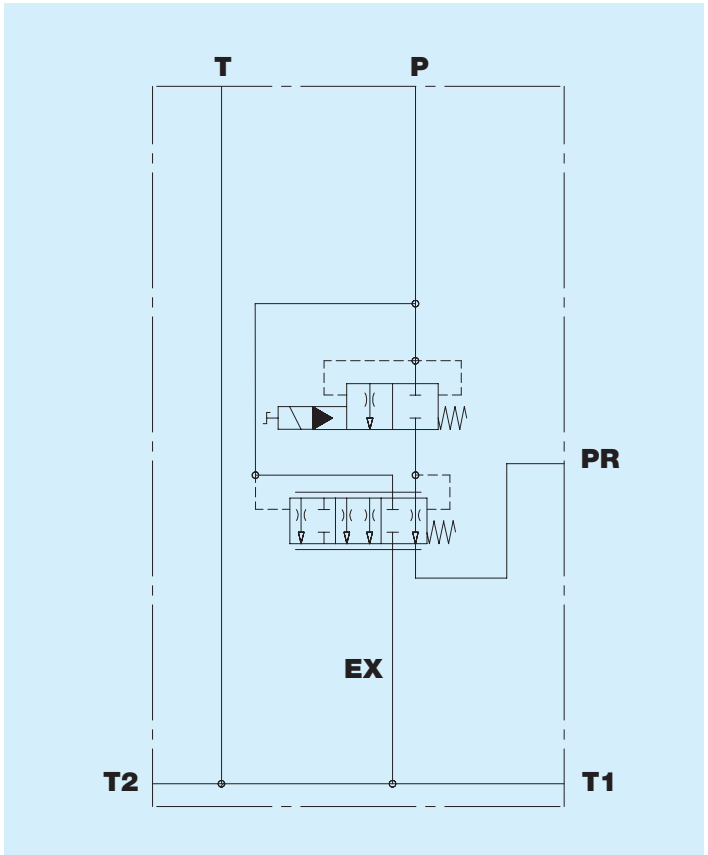


RF0500BO Compensated flow rate control cover ON-OFF with excess on unloading
Interface IBW0500

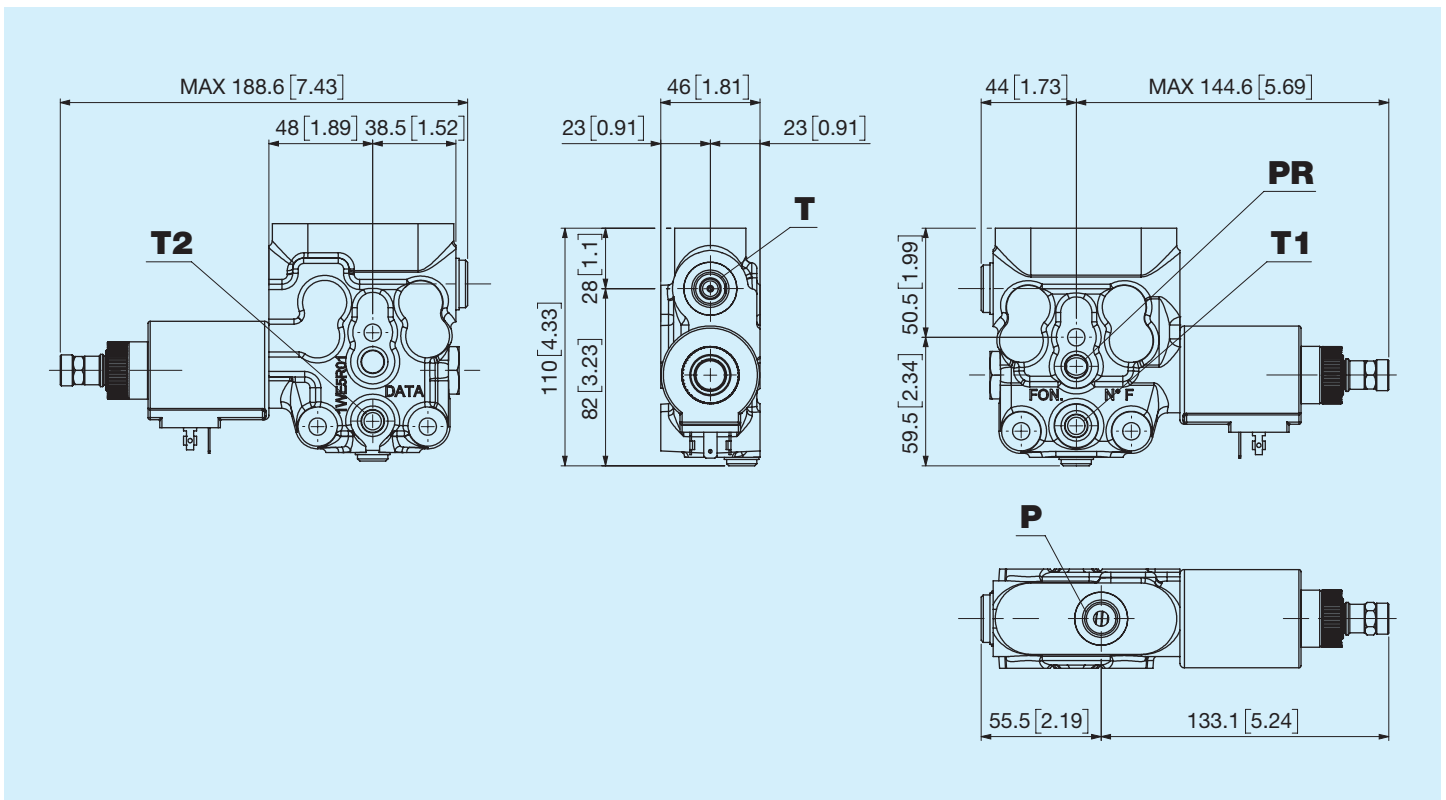


Before use, carefully read the GENERAL INSTRUCTIONS FOR USE OF DIRECTIONAL CONTROL VALVES

Nominal flow	50 l/min 13.2 US gpm
Nominal pressure	250 bar 3625 psi
Maximum tank pressure	50 bar 725 psi
Regulated flow rate	40 l/min - 10.56 US gpm 20 l/min - 5.28 US gpm
Temperature range	-20°C +85°C NBR seals (max peak +100°C) -20°C + 130°C HNBR seals
Oil viscosity	from 15 mm²/s to 90 mm²/s (15 cSt to 90 cSt)
Fluid	Hydraulic fluids as defined in ISO 6743-4 standard
Weight	2.6 kg 5.73 lb
Interface	IBW0500

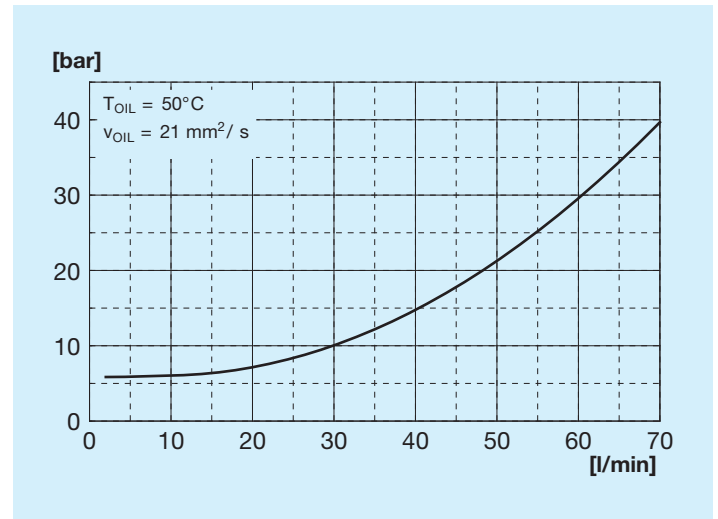
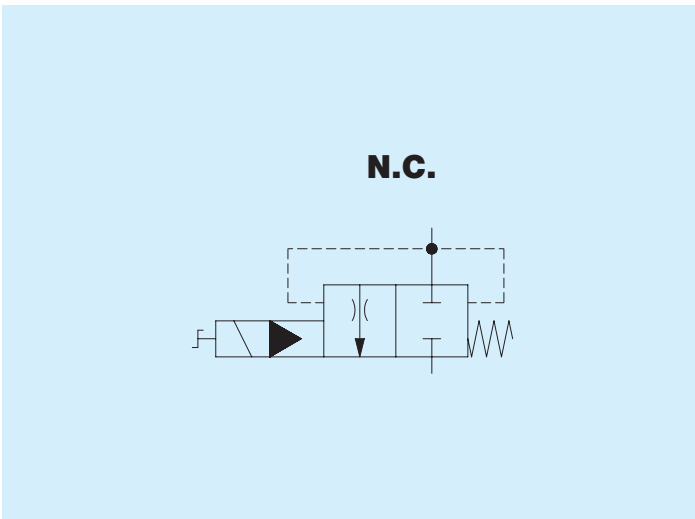


Dimensions



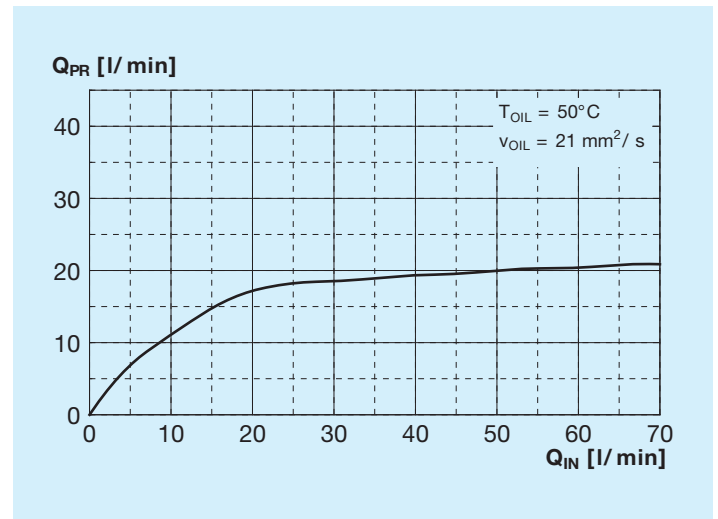
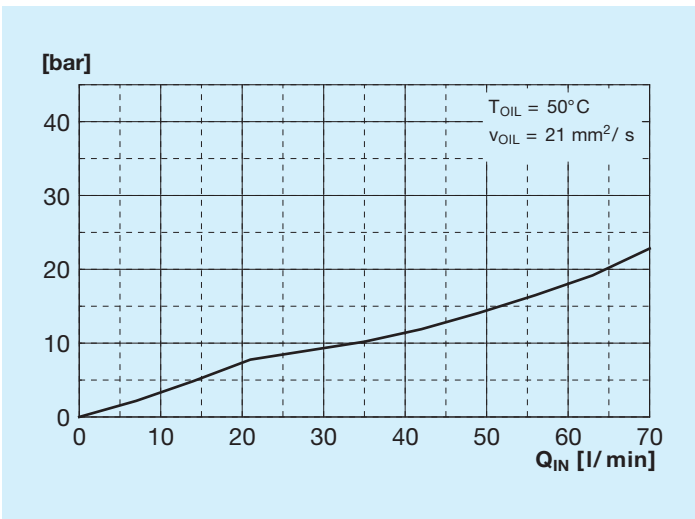
2-way priority cursor N.C.

ΔP P - EX/T



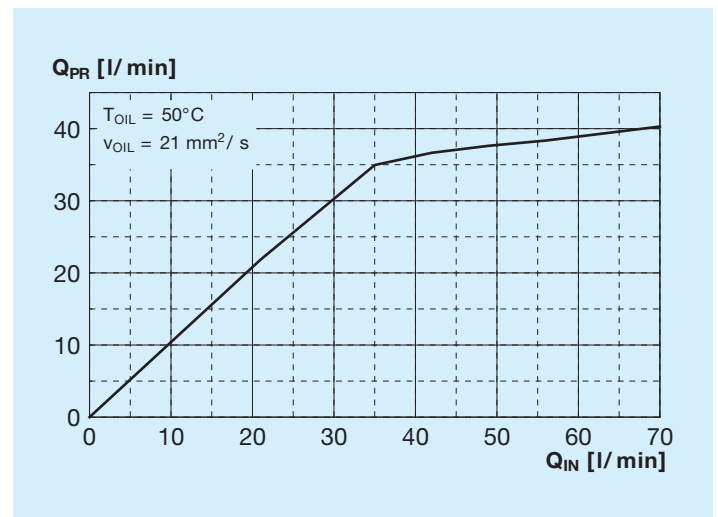
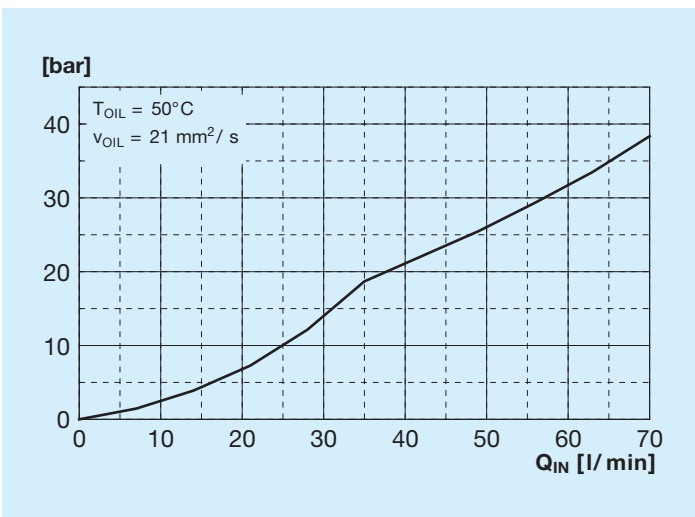
ΔP P - PR cursor 0-20 l/min

Flow rate P - PR cursor 0-20 l/min



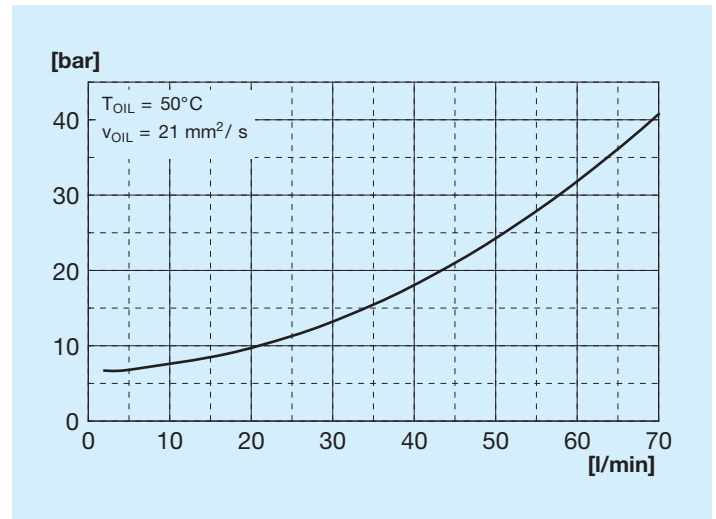
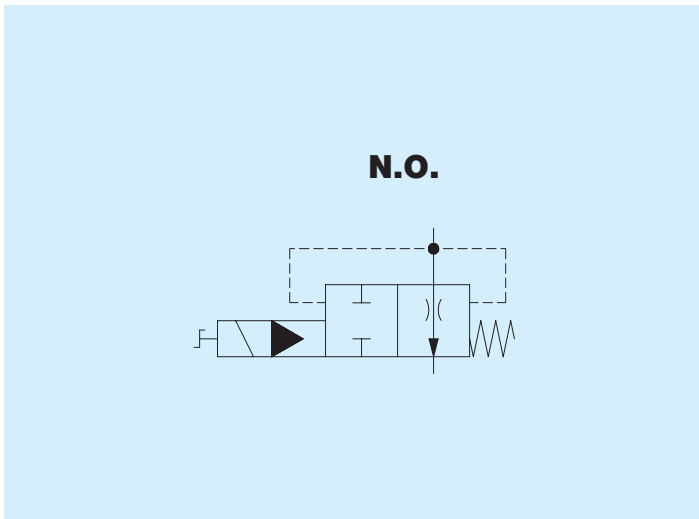
ΔP P - PR cursor 0-40 l/min

Flow rate P - PR cursor 0-40 l/min



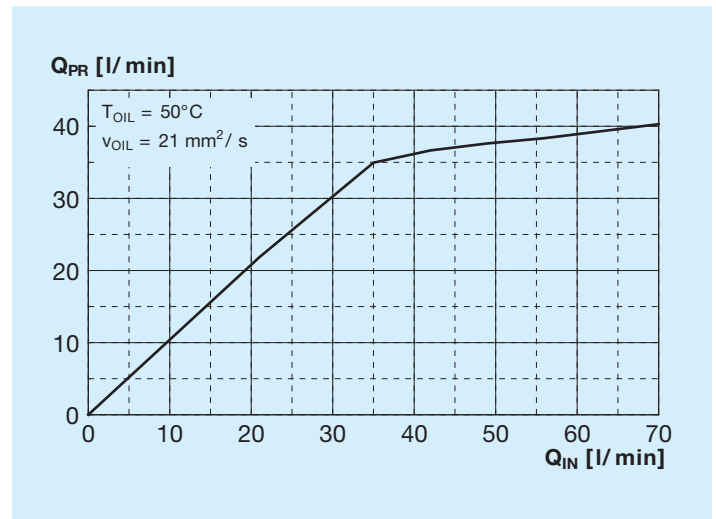
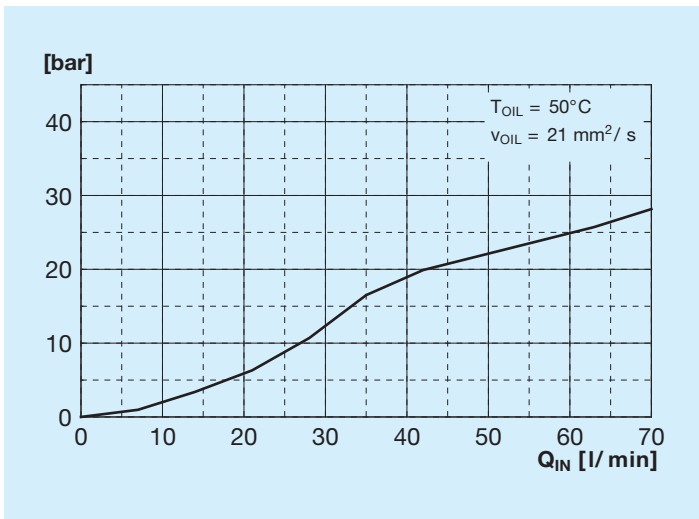
2-way priority cursor N.O.

ΔP P - EX/T



ΔP P - PR cursor 40-0 l/min

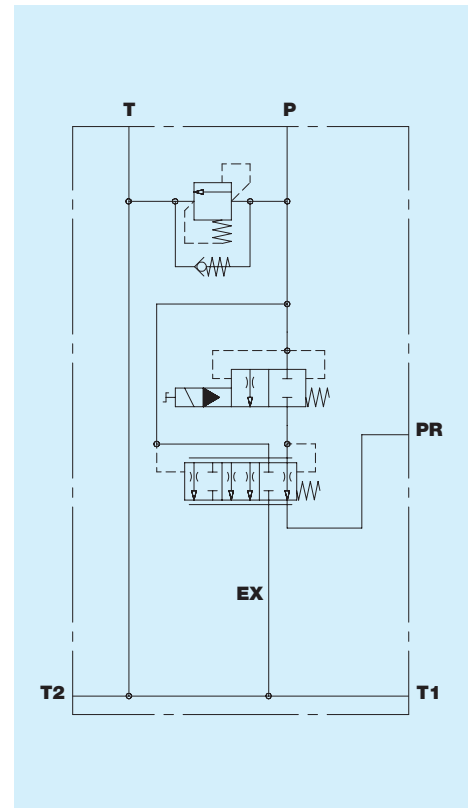
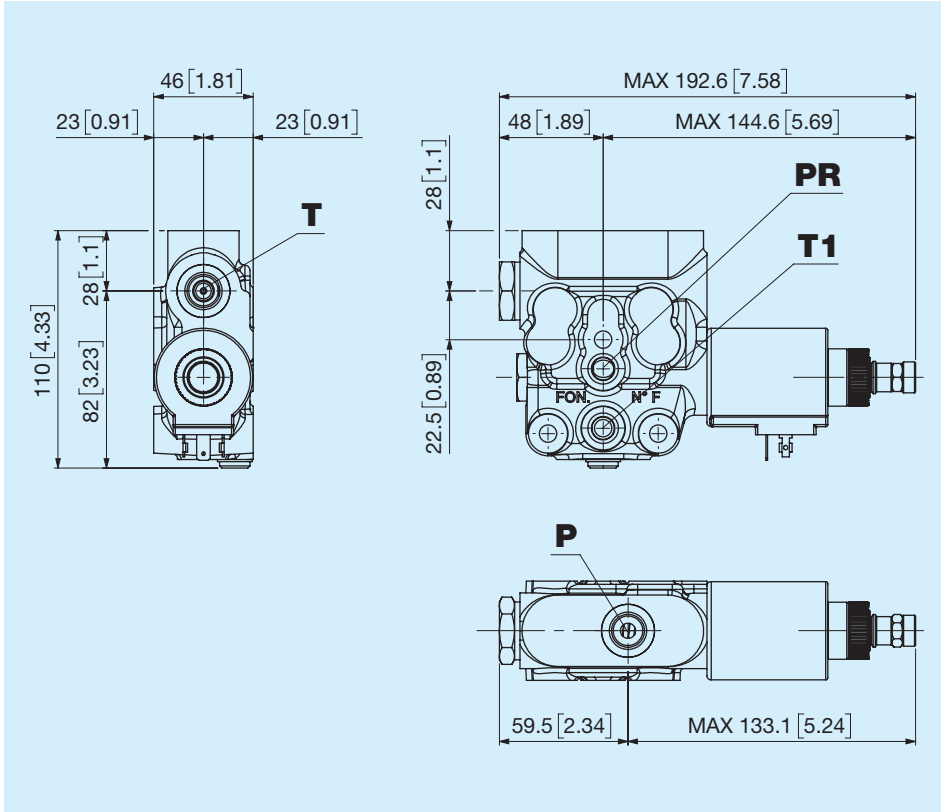
Flow rate P - PR Cursor 40-0 l/min



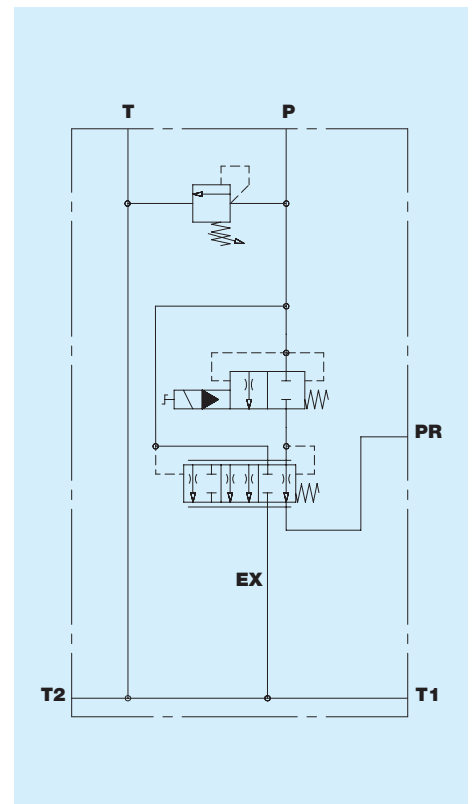
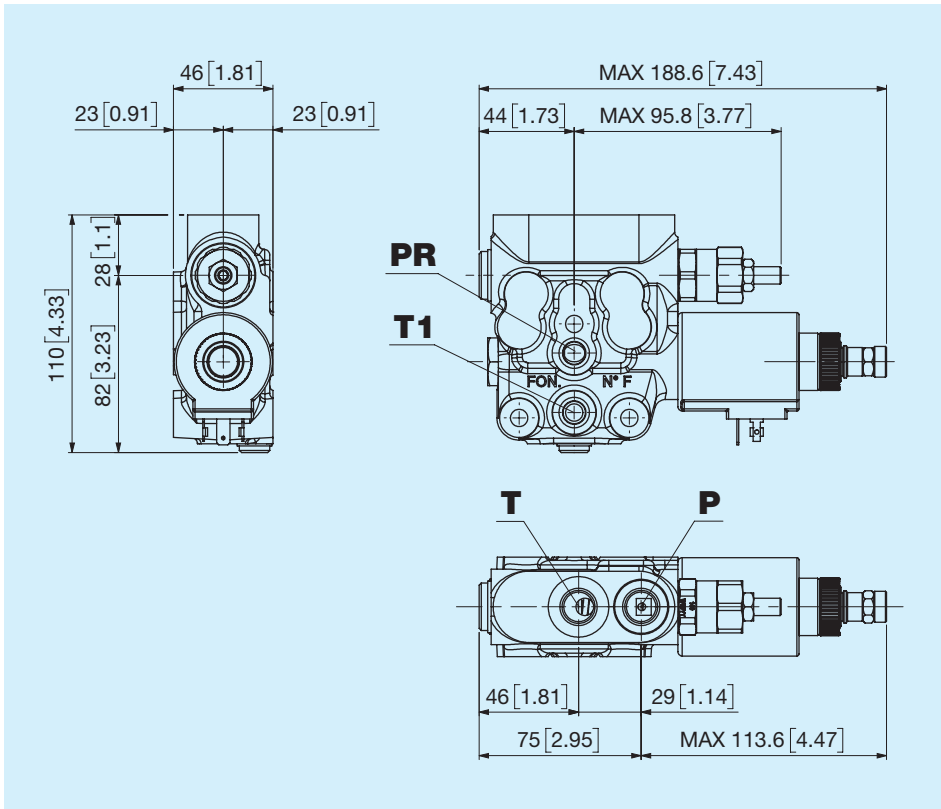
Thread ports P - T

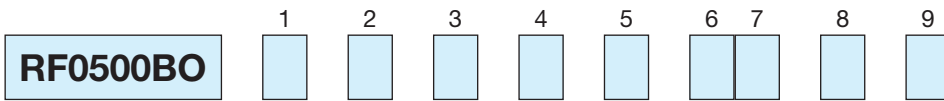
Model	Type	Torque Nm
A	3/8" GAS ISO 1179	40
C	M18x1.5 ISO 9974	40
W	M18x1.5 ISO 6149	40
E	3/4" 16 SAE ISO 11926	50

A RC Pressure limiter and anticavitation cartridge



B VL Adjustable pressure limiting valve





1	Actuator options			
<input type="checkbox"/>	L Stroke limiting			
2	Regulated flow rate			
<input type="checkbox"/>	A N.C. Normally closed 0 - 40 l/min 0 - 10.56 US	B N.C. Normally closed 0 - 20 l/min 0 - 5.28 US gpm	C N.O. Normally open 40 - 0 l/min 10.56 - 0 US	
3	Thread type			
<input type="checkbox"/>	F Female	M Male		
4	Thread ports P - T			
<input type="checkbox"/>	A 3/8" GAS ISO 1179	C M18x1.5 ISO 9974	W M18x1.5 ISO 6149	E 3/4" - 16 SAE ISO 11926
5	Options line P			
<input type="checkbox"/>	N None	A RC Pressure limiter and anticavitation cartridge	B VL Adjustable pressure limiting valve	
6 7	Calibration pressure VL/RC			
<input type="checkbox"/>	NN None	08 80 bar	14 140 bar	20 200 bar
<input type="checkbox"/>	03 30 bar	09 90 bar	15 150 bar	21 210 bar
<input type="checkbox"/>	04 40 bar	10 100 bar	16 160 bar	22 220 bar
<input type="checkbox"/>	05 50 bar	11 110 bar	17 170 bar	23 230 bar
<input type="checkbox"/>	06 60 bar	12 120 bar	18 180 bar	24 240 bar
<input type="checkbox"/>	07 70 bar	13 130 bar	19 190 bar	25 250 bar
8	Voltage and connector			
<input type="checkbox"/>	A 12V DIN 43650	B 24V DIN 43650		
9	External treatment			
<input type="checkbox"/>	A External treatment	N None		