

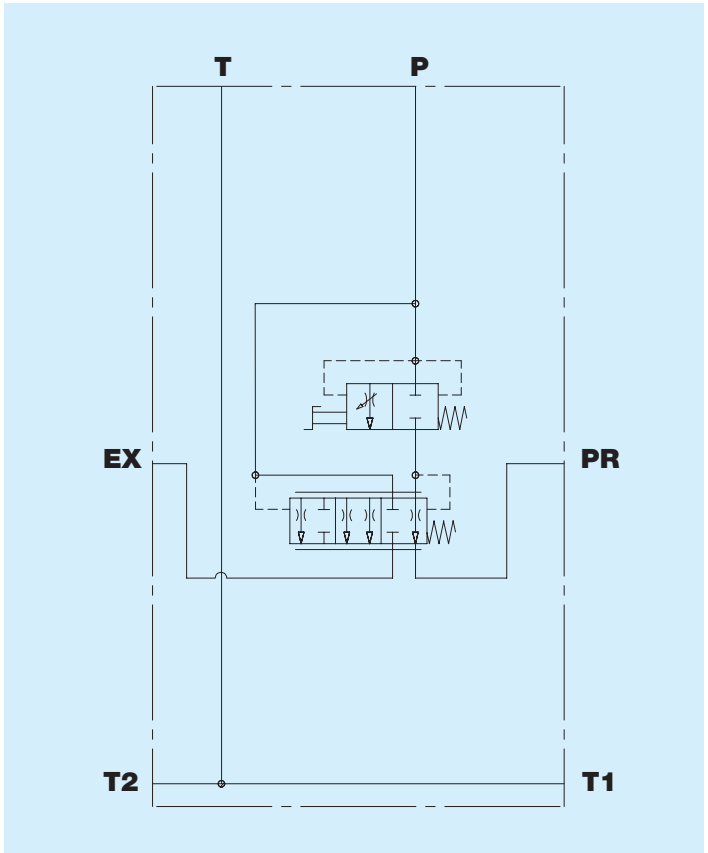
RF0500AM Manual compensated flow rate control  
cover

Interface IBW0500

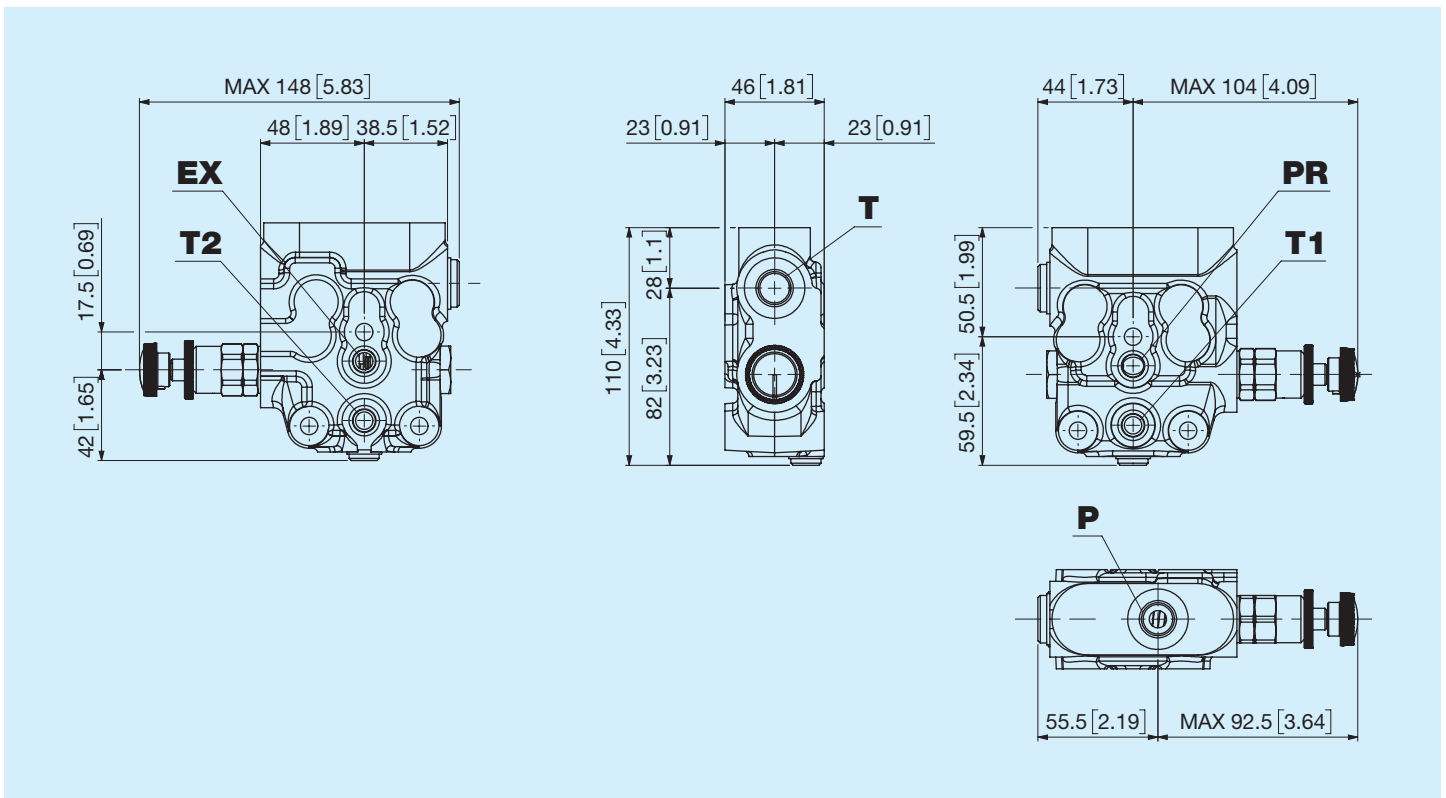


Before use, carefully read the GENERAL INSTRUCTIONS FOR USE OF DIRECTIONAL CONTROL VALVES

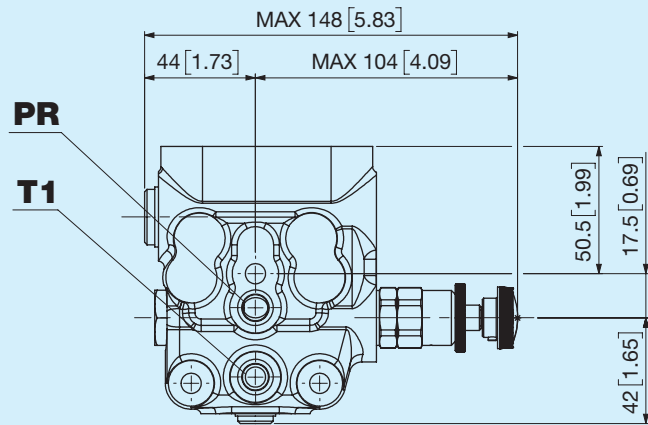
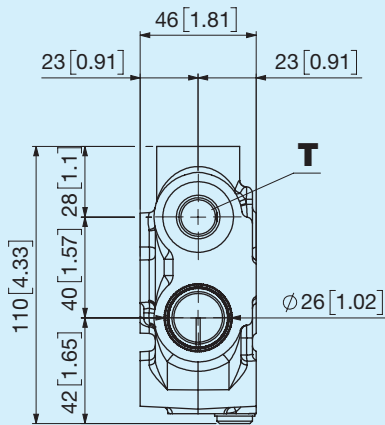
Nominal flow	<b>50 l/min</b> <b>13.2 US gpm</b>
Nominal pressure	<b>250 bar</b> <b>3625 psi</b>
Maximum tank pressure	<b>50 bar</b> <b>725 psi</b>
Regulated flow rate	<b>40 l/min - 10.56 US gpm</b> <b>20 l/min - 5.28 US gpm</b>
Temperature range	<b>-20°C +85°C NBR seals</b> <b>(max peak +100°C)</b> <b>-20°C + 130°C HNBR seals</b>
Oil viscosity	<b>from 15 mm<sup>2</sup>/s to 90</b> <b>mm<sup>2</sup>/s</b> <b>(15 cSt to 90 cSt)</b>
Fluid	<b>Hydraulic fluids as</b> <b>defined in ISO 6743-4</b> <b>standard</b>
Weight	<b>2.6 kg</b> <b>5.73 lb</b>
Interface	<b>IBW0500</b>



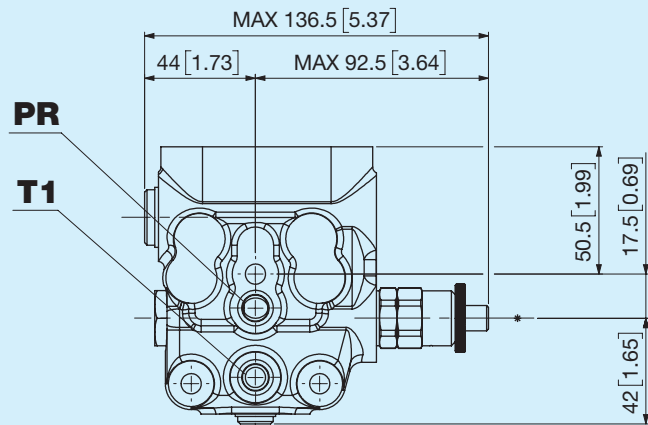
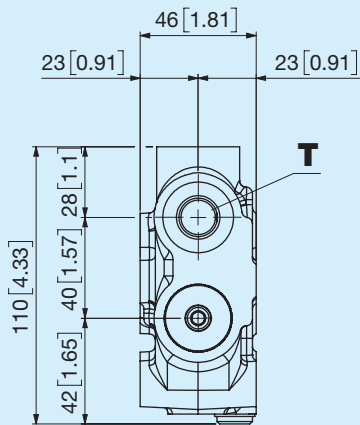
## Dimensions



## V With hand-wheel

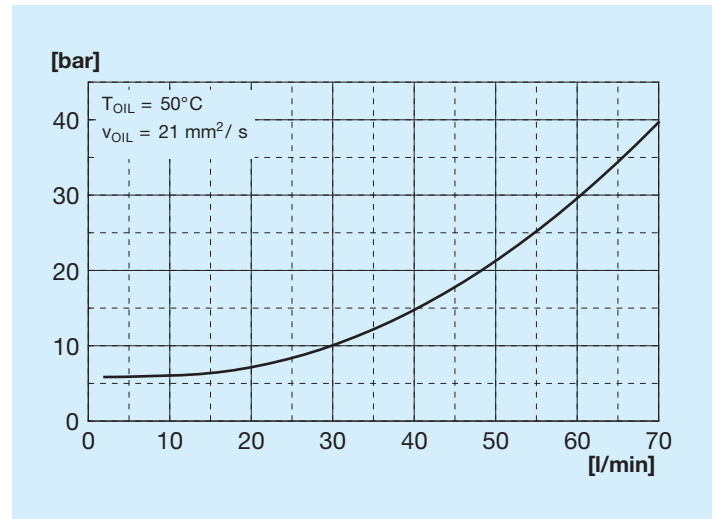
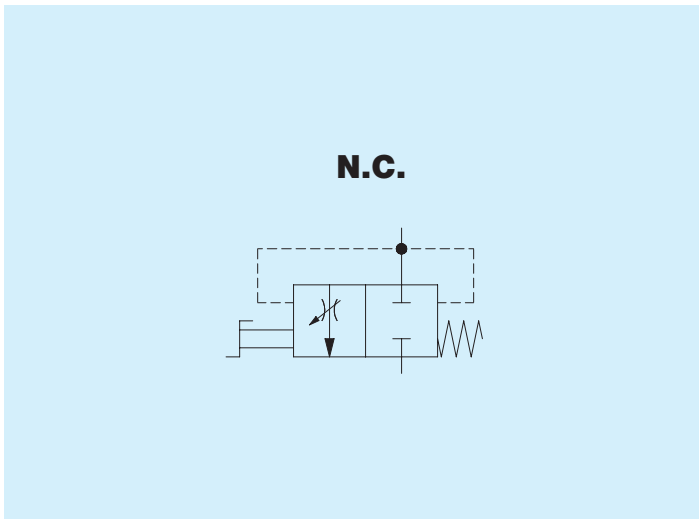


## M With hex wrench screw



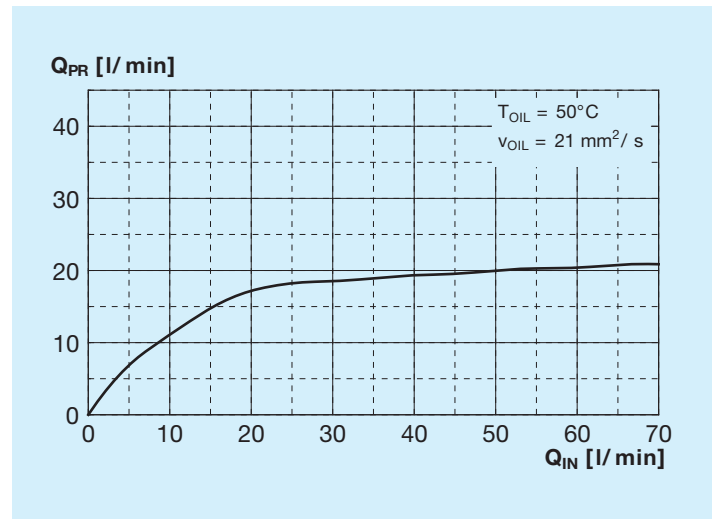
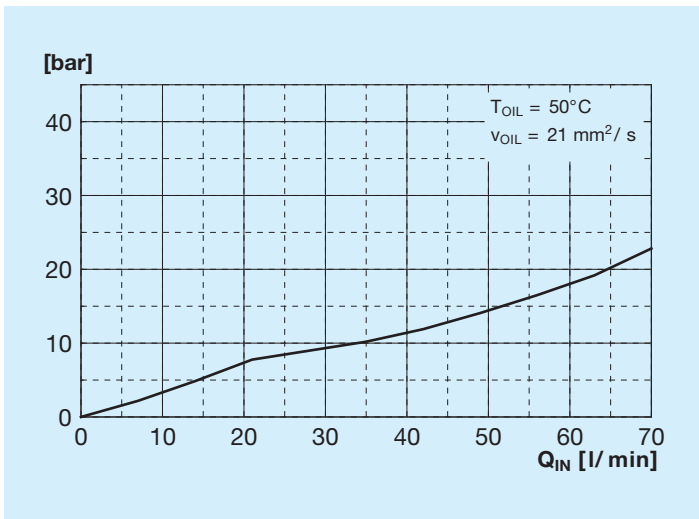
2-way priority cursor N.C.

$\Delta P$  P - EX



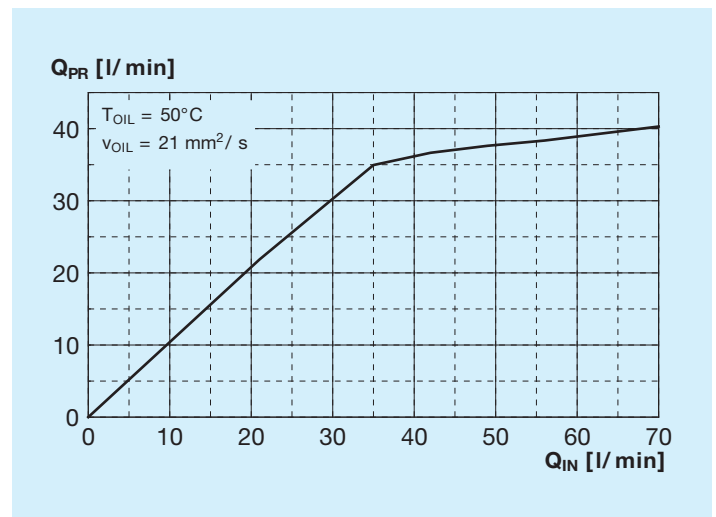
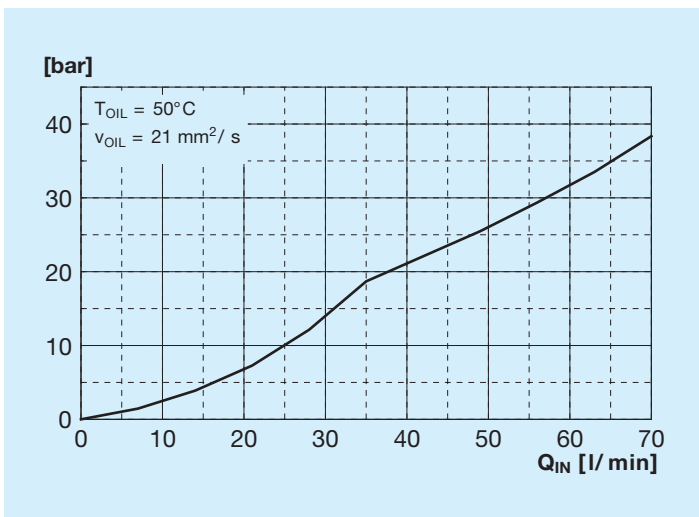
$\Delta P$  P - PR cursor 0-20 l/min

Flow rate P - PR cursor 0-20 l/min



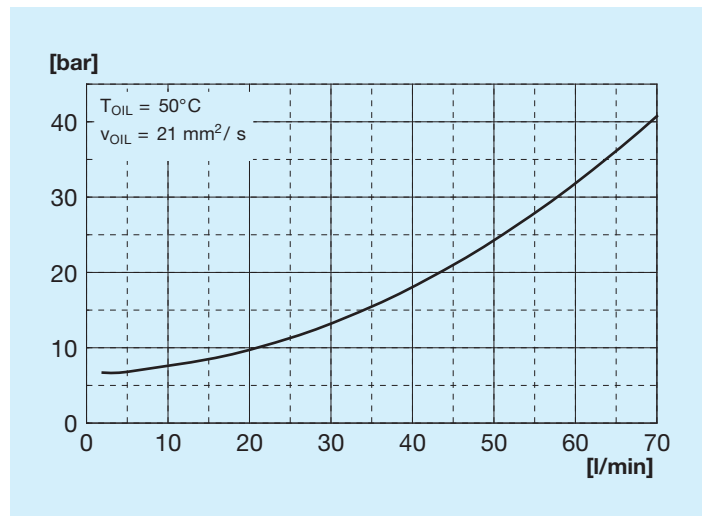
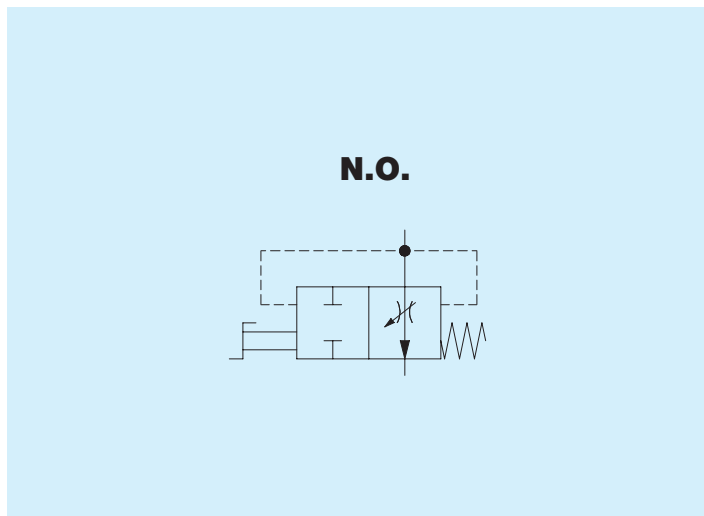
$\Delta P$  P - PR cursor 0-40 l/min

Flow rate P - PR cursor 0-40 l/min



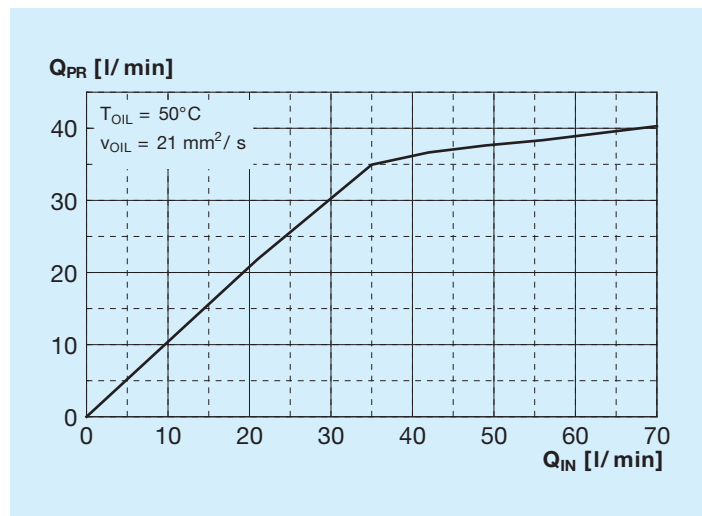
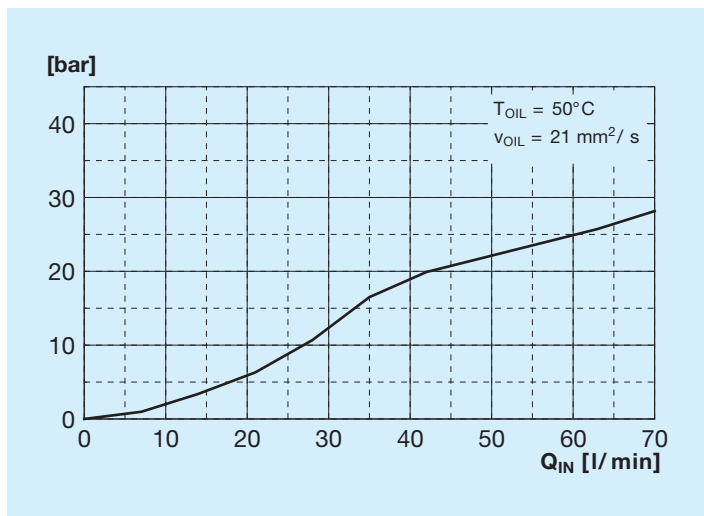
2-way priority cursor N.O.

$\Delta P$  P - EX



$\Delta P$  P - PR cursor 40-0 l/min

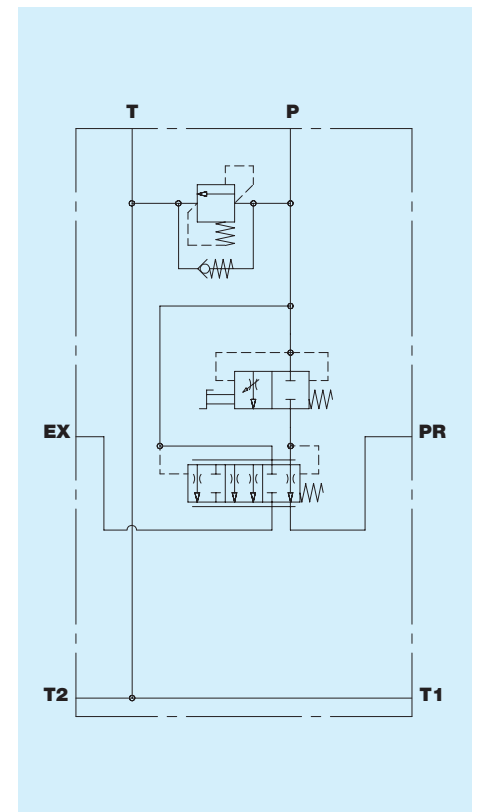
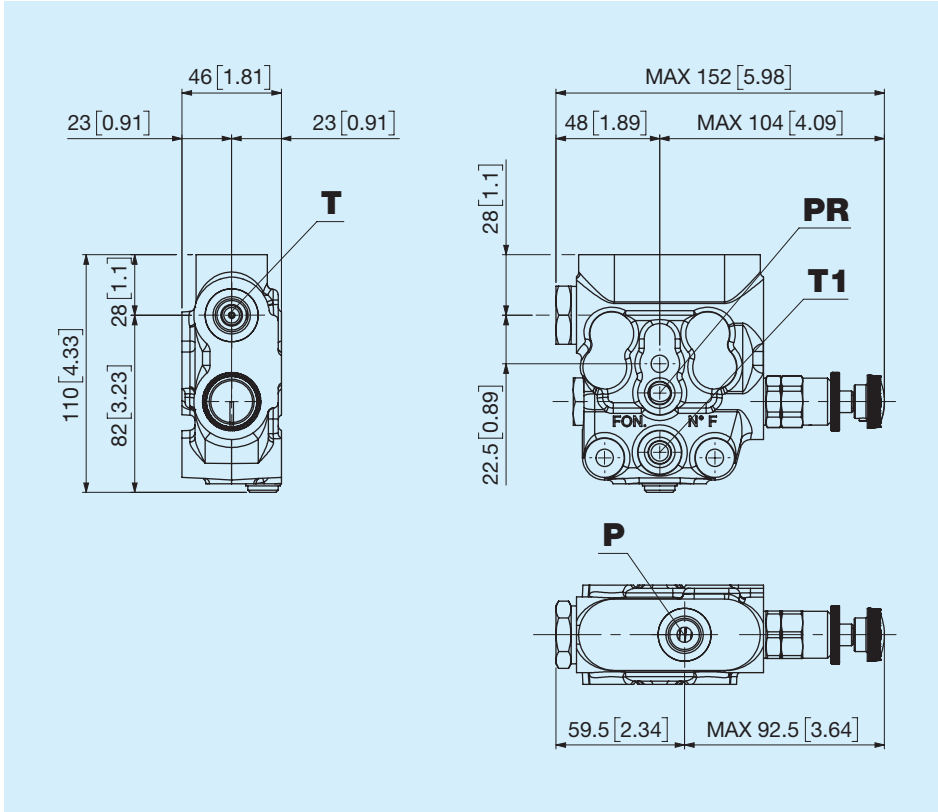
Flow rate P - PR Cursor 40-0 l/min



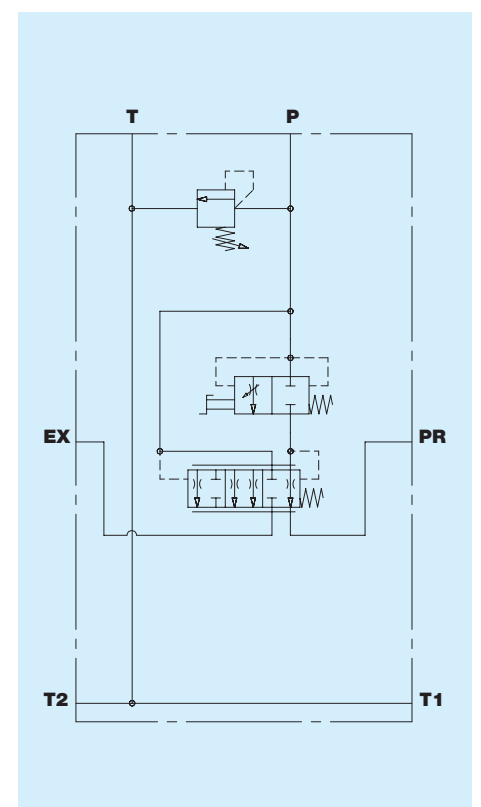
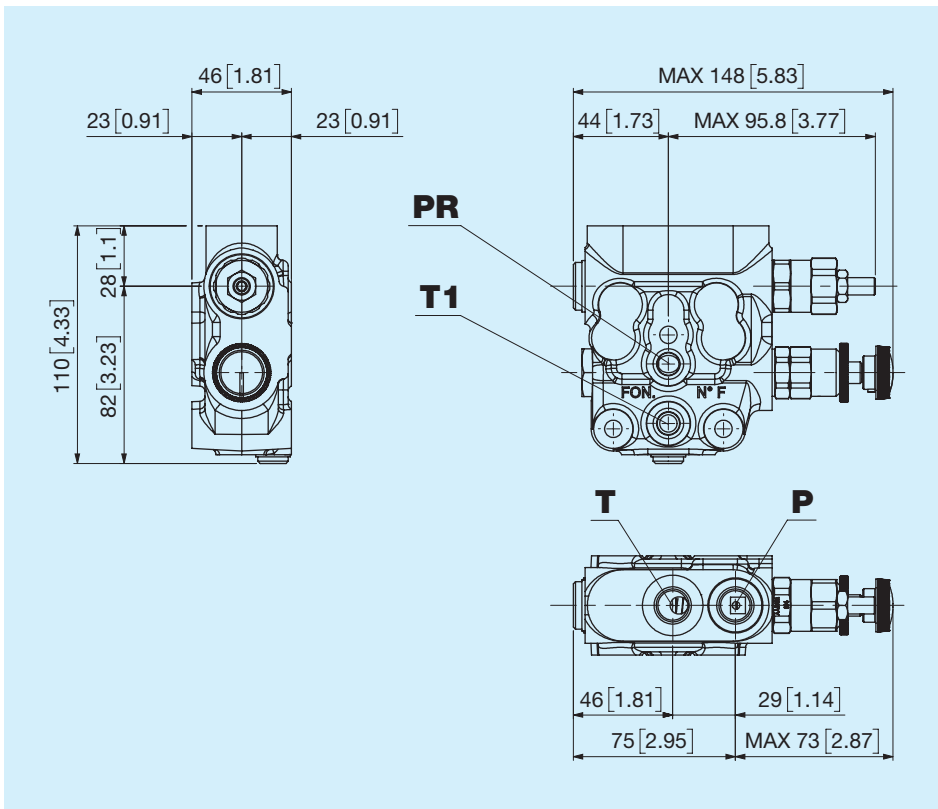
## Thread ports P - T

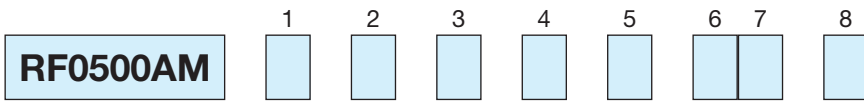
Model	Type	Torque Nm
<b>A</b>	3/8" GAS ISO 1179	40
<b>C</b>	M18x1.5 ISO 9974	40
<b>W</b>	M18x1.5 ISO 6149	40
<b>E</b>	3/4" 16 SAE ISO 11926	50

## A RC Pressure limiter and anticavitation cartridge



## B VL Adjustable pressure limiting valve





1	<b>Actuator options</b>			
1	<b>V</b> With hand-wheel	<b>M</b> With hex wrench screw		
2	<b>Regulated flow rate</b>			
2	<b>A</b> N.C. Normally closed 0 - 40 l/min 0 - 10.56 US	<b>B</b> N.C. Normally closed 0 - 20 l/min 0 - 5.28 US gpm	<b>C</b> N.O. Normally open 40 - 0 l/min 10.56 - 0 US	
3	<b>Thread type</b>			
3	<b>F</b> Female	<b>M</b> Male		
4	<b>Thread ports P - T</b>			
4	<b>A</b> 3/8" GAS ISO 1179	<b>C</b> M18x1.5 ISO 9974	<b>W</b> M18x1.5 ISO 6149	<b>E</b> 3/4" - 16 SAE ISO 11926
5	<b>Options line P</b>			
5	<b>N</b> None	<b>A</b> RC Pressure limiter and anticavitation cartridge	<b>B</b> VL Adjustable pressure limiting valve	
6 7	<b>Calibration pressure VL/RC</b>			
6 7	<b>NN</b> None	<b>08</b> 80 bar	<b>14</b> 140 bar	<b>20</b> 200 bar
	<b>03</b> 30 bar	<b>09</b> 90 bar	<b>15</b> 150 bar	<b>21</b> 210 bar
	<b>04</b> 40 bar	<b>10</b> 100 bar	<b>16</b> 160 bar	<b>22</b> 220 bar
	<b>05</b> 50 bar	<b>11</b> 110 bar	<b>17</b> 170 bar	<b>23</b> 230 bar
	<b>06</b> 60 bar	<b>12</b> 120 bar	<b>18</b> 180 bar	<b>24</b> 240 bar
	<b>07</b> 70 bar	<b>13</b> 130 bar	<b>19</b> 190 bar	<b>25</b> 250 bar
8	<b>External treatment</b>			
8	<b>A</b> External treatment	<b>N</b> None		