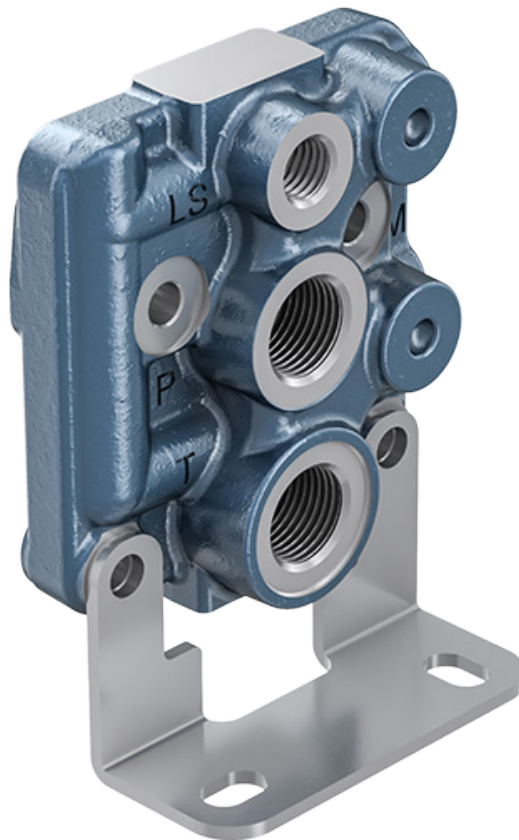
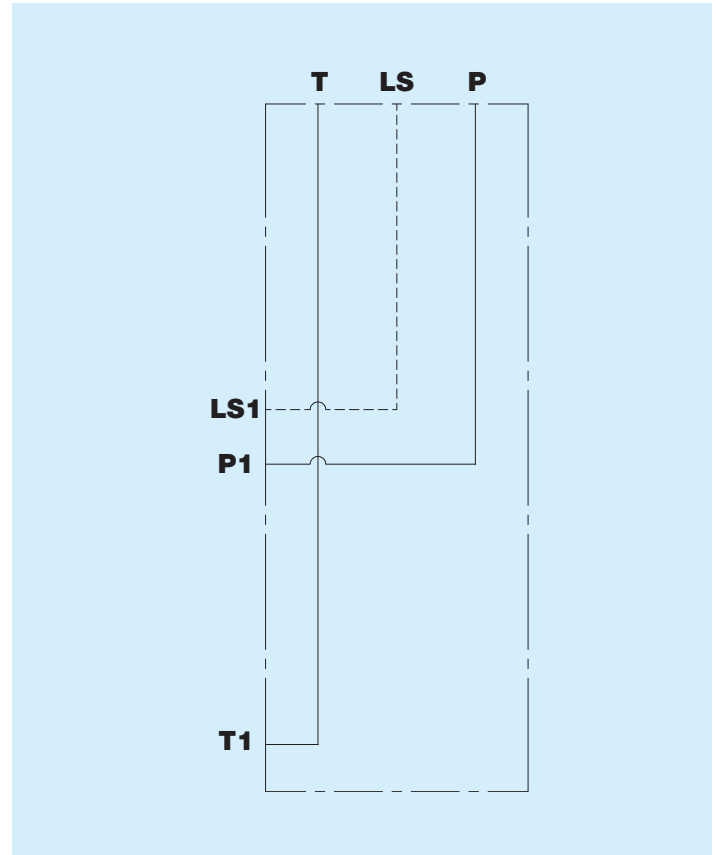


TU103F Outlet cover Load sensing  
Interface IBW1033

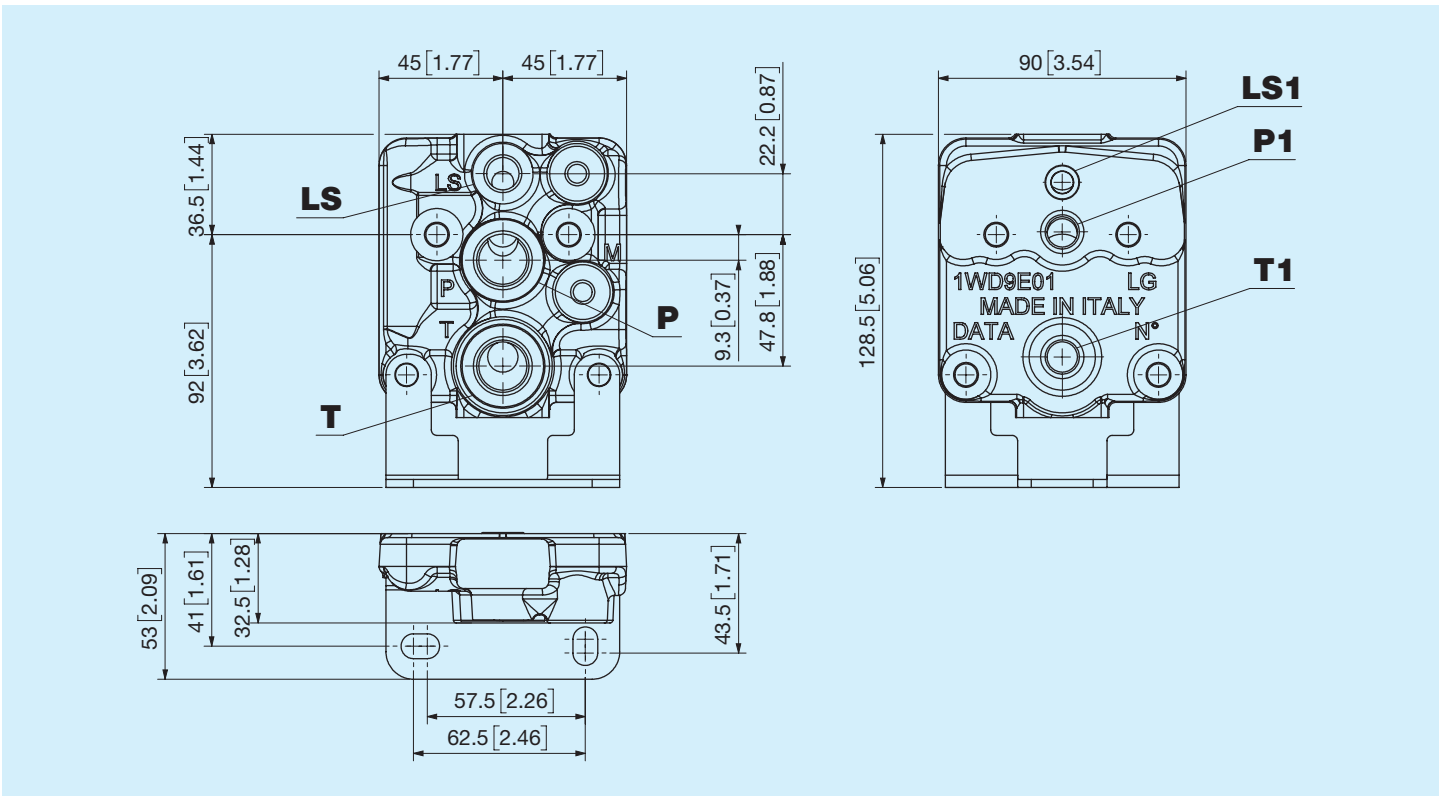


Before use, carefully read the GENERAL INSTRUCTIONS FOR USE OF DIRECTIONAL CONTROL VALVES

Nominal flow	<b>100 l/min</b> <b>26.41 US gpm</b>
Nominal pressure	<b>250 bar</b> <b>3625 psi</b>
Maximum tank pressure	<b>50 bar</b> <b>725 psi</b>
Temperature range	<b>-20°C +85°C NBR seals</b> <b>(max peak +100°C)</b> <b>-20°C + 130°C HNBR seals</b>
Oil viscosity	<b>from 15 mm<sup>2</sup>/s to 90 mm<sup>2</sup>/s</b> <b>(15 cSt to 90 cSt)</b>
Fluid	<b>Hydraulic fluids as defined in ISO 6743-4 standard</b>
Weight	<b>1.4 kg</b> <b>3.08 lb</b>
Interface	<b>IBW1033</b>



## Dimensions



## Thread port P

Model	Type	Torque Nm
<b>O</b>	None	
<b>B</b>	1/2" GAS ISO 1179	70
<b>N</b>	M22x1.5 ISO 9974	78
<b>J</b>	M22x1.5 ISO 6149	78
<b>R</b>	7/8" - 14 SAE ISO 11926	77

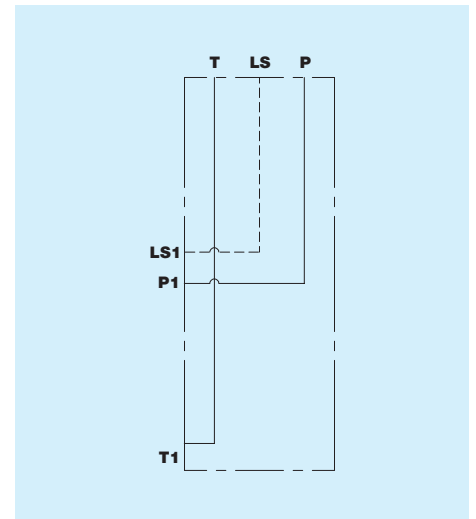
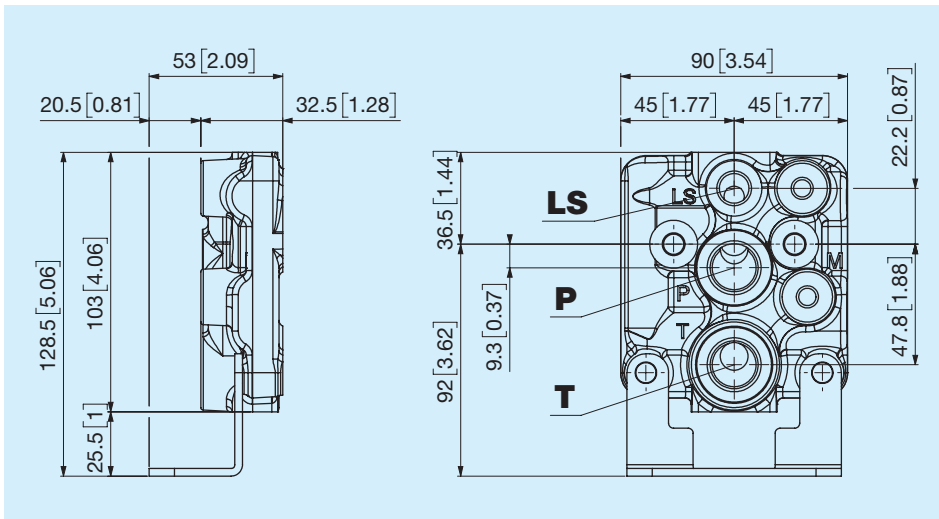
## Thread port T

Model	Type	Torque Nm
<b>O</b>	None	
<b>B</b>	1/2" GAS ISO 1179	70
<b>F</b>	3/4" GAS ISO 1179	140
<b>N</b>	M22x1.5 ISO 9974	78
<b>J</b>	M22x1.5 ISO 6149	78
<b>5</b>	M27x2 ISO 9974	170
<b>U</b>	M27x2 ISO 6149	170
<b>R</b>	7/8" - 14 SAE ISO 11926	77
<b>V</b>	1" 1/16 - 12 SAE ISO 11926	125

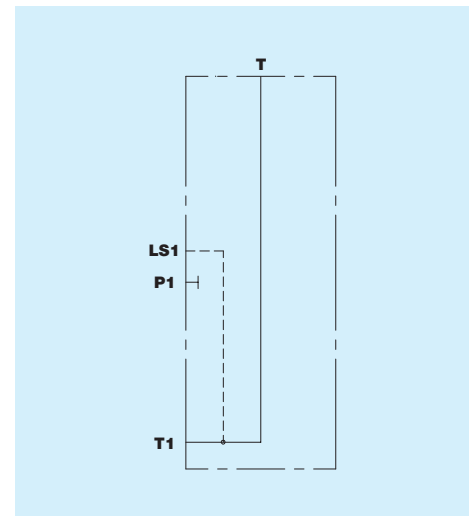
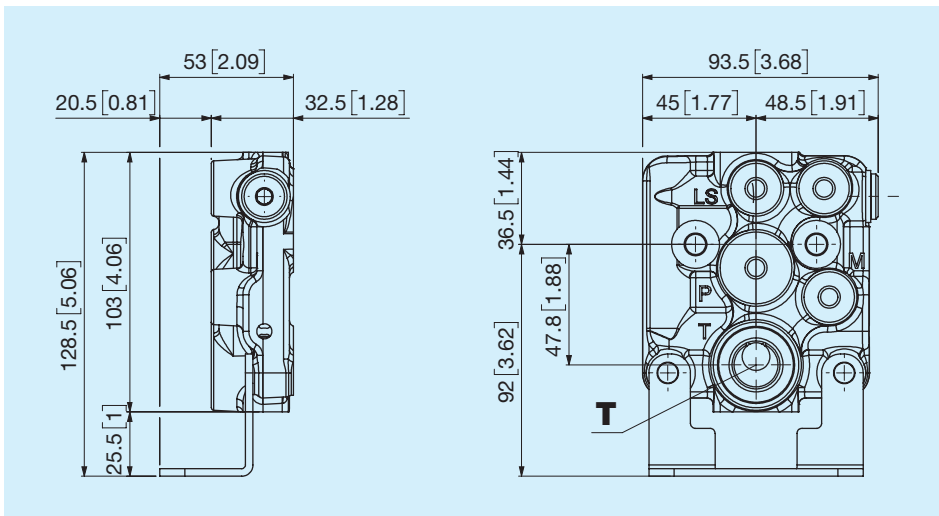
## Thread port LS

Model	Type	Torque Nm
<b>O</b>	None	
<b>L</b>	1/4" GAS ISO 1179	14
<b>3</b>	M14x1.5 ISO 9974	10
<b>K</b>	M14x1.5 ISO 6149	10
<b>P</b>	9/16" - 18 SAE ISO 11926	21

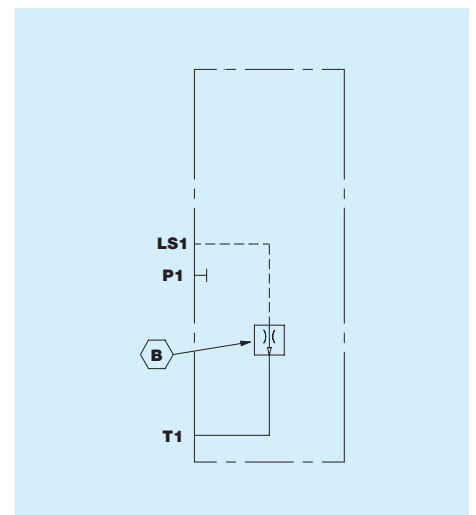
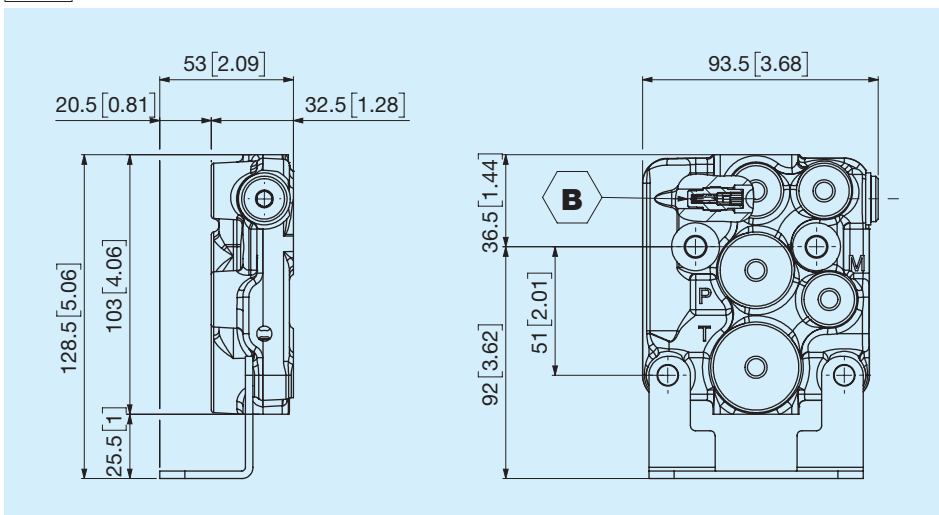
## N None



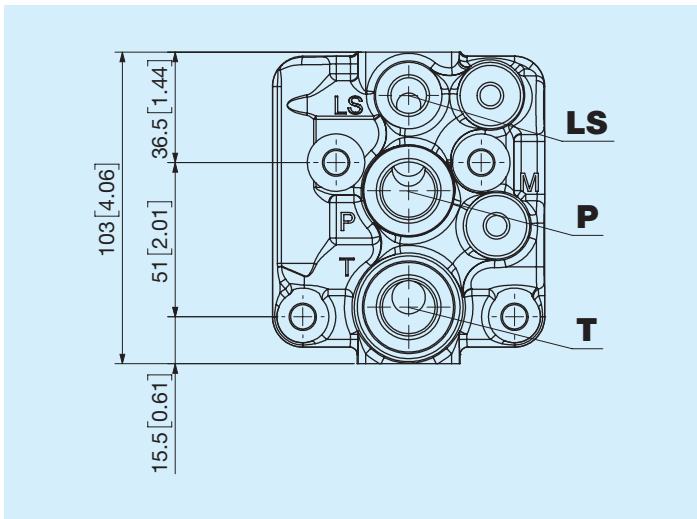
## A With LS line to tank



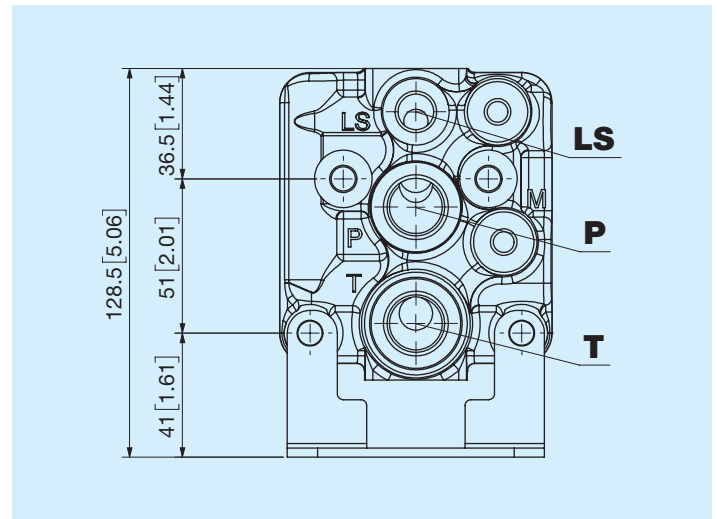
## B With drain valve 0,5 l/min



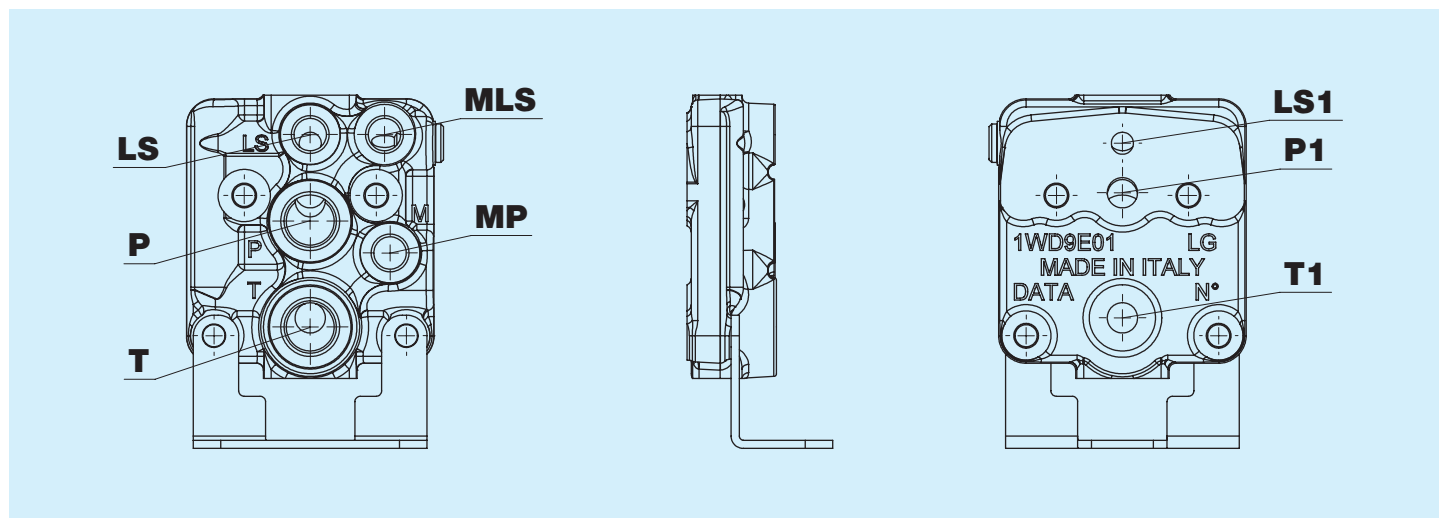
**H3** High



**NN** None



## MP and MLS - Gauge ports



## Thread port MP and MLS

Model	Type	Torque Nm
<b>N</b>	None	
<b>L</b>	1/4" GAS ISO 1179	14
<b>3</b>	M14x1.5 ISO 9974	10
<b>K</b>	M14x1.5 ISO 6149	10
<b>P</b>	9/16" - 18 SAE ISO 11926	21



	1	2	3	4	5	6	7	8	9	10	11	12	13	14
<b>TU103F</b>														
1	<b>Thread type</b>													
	<b>F</b> Female			<b>N</b> None				...					...	None thread is possible only with none P-T-LS threads
2	<b>Thread port P</b>													
	<b>O</b> None			<b>N</b> M22x1.5 ISO 9974				<b>R</b> 7/8" - 14 SAE ISO 11926						
	<b>B</b> 1/2" GAS ISO 1179			<b>J</b> M22x1.5 ISO 6149										
3	<b>Thread port T</b>													
	<b>O</b> None			<b>N</b> M22x1.5 ISO 9974				<b>U</b> M27x2 ISO 6149						
	<b>B</b> 1/2" GAS ISO 1179			<b>J</b> M22x1.5 ISO 6149				<b>R</b> 7/8" - 14 SAE ISO 11926						
	<b>F</b> 3/4" GAS ISO 1179			<b>5</b> M27x2 ISO 9974				<b>V</b> 1" 1/16 - 12 SAE ISO 11926						
4	<b>Thread port LS</b>													
	<b>O</b> None			<b>3</b> M14x1.5 ISO 9974				<b>P</b> 9/16" - 18 SAE ISO 11926						
	<b>L</b> 1/4" GAS ISO 1179			<b>K</b> M14x1.5 ISO 6149										
5	<b>Options on port P</b>													
	<b>N</b> None			<b>A</b> P open				<b>B</b> P plugged						
6	<b>Options on port T</b>													
	<b>N</b> None			<b>A</b> T open				<b>B</b> T plugged						
7	<b>Option on port LS</b>													
	<b>N</b> None			<b>A</b> LS open				<b>B</b> LS plugged						
8	<b>Options on LS line</b>													
	<b>N</b> None			<b>A</b> With LS line to tank				<b>B</b> With drain valve 0,5 l/min						
9 10	<b>Bracket height</b>													
	<b>H3</b> High			<b>NN</b> None										
11	<b>Thread port MP</b>													
	<b>N</b> None			<b>3</b> M14x1.5 ISO 9974				<b>P</b> 9/16" - 18 SAE ISO 11926						
	<b>L</b> 1/4" GAS ISO 1179			<b>K</b> M14x1.5 ISO 6149										
12	<b>Thread port MLS</b>													
	<b>N</b> None			<b>3</b> tM14x1.5 ISO 9974				<b>P</b> 9/16" - 18 SAE ISO 11926						
	<b>L</b> 1/4" GAS ISO 1179			<b>K</b> tM14x1.5 ISO 6149										
13	<b>Options on ports MP - MLS</b>													
	<b>N</b> None			<b>E</b> MP and MLS open				<b>F</b> MP and MLS plugged						



14



External treatment

**N** None

**Z** Zinc plating