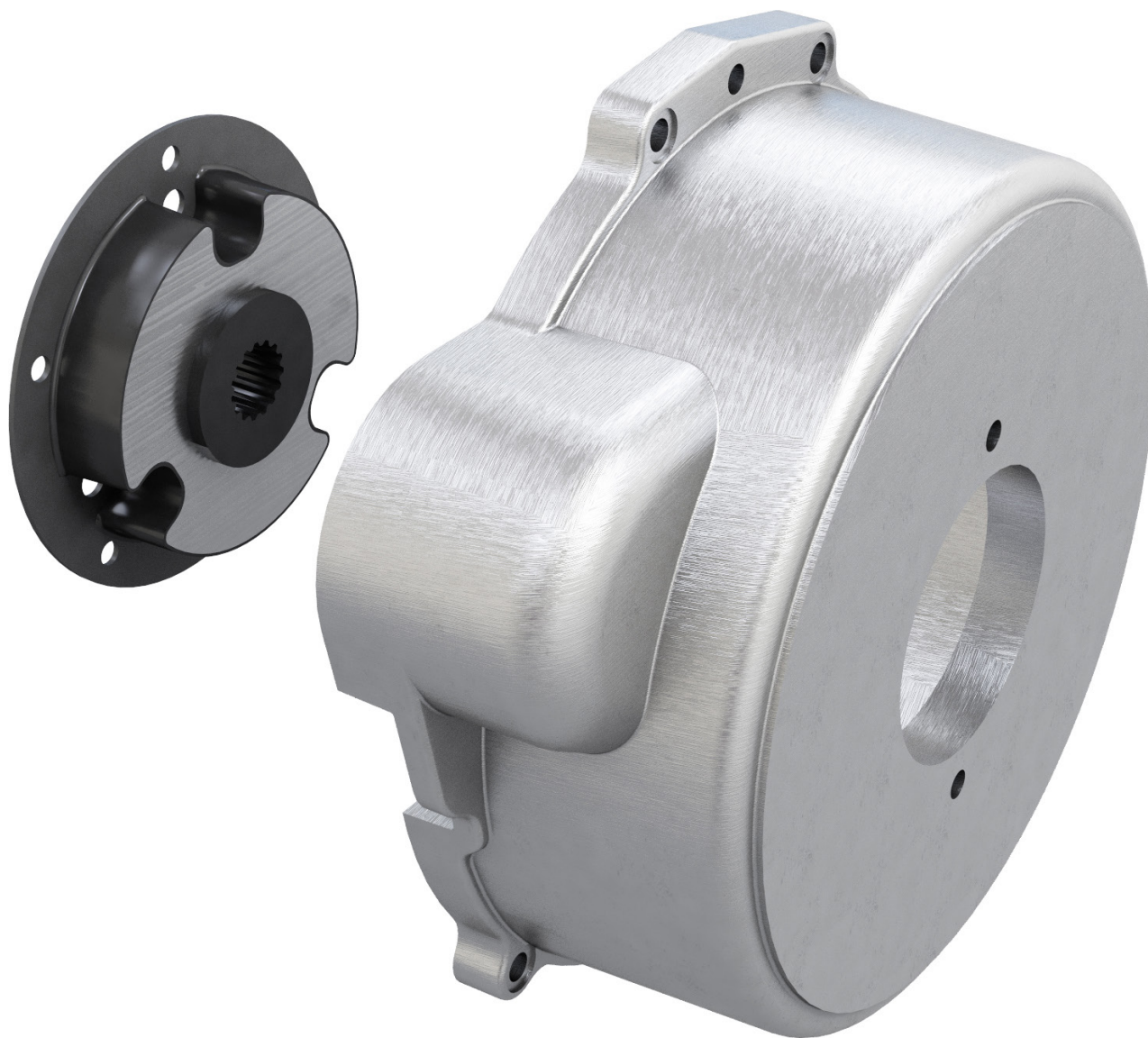
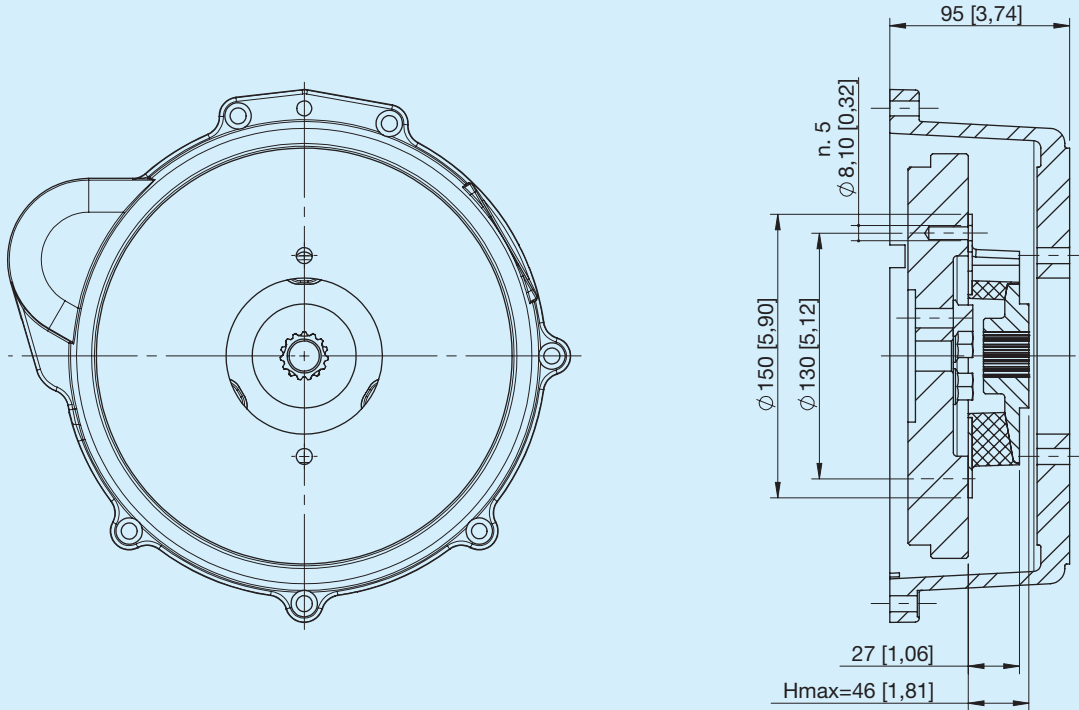


KVE flexible coupling for Kubota motors



Before use, carefully read the GENERAL INSTRUCTIONS FOR USE OF COUPLING SYSTEMS

Z482, D722, DF752, Z662, Z602, D662 - KVE 130

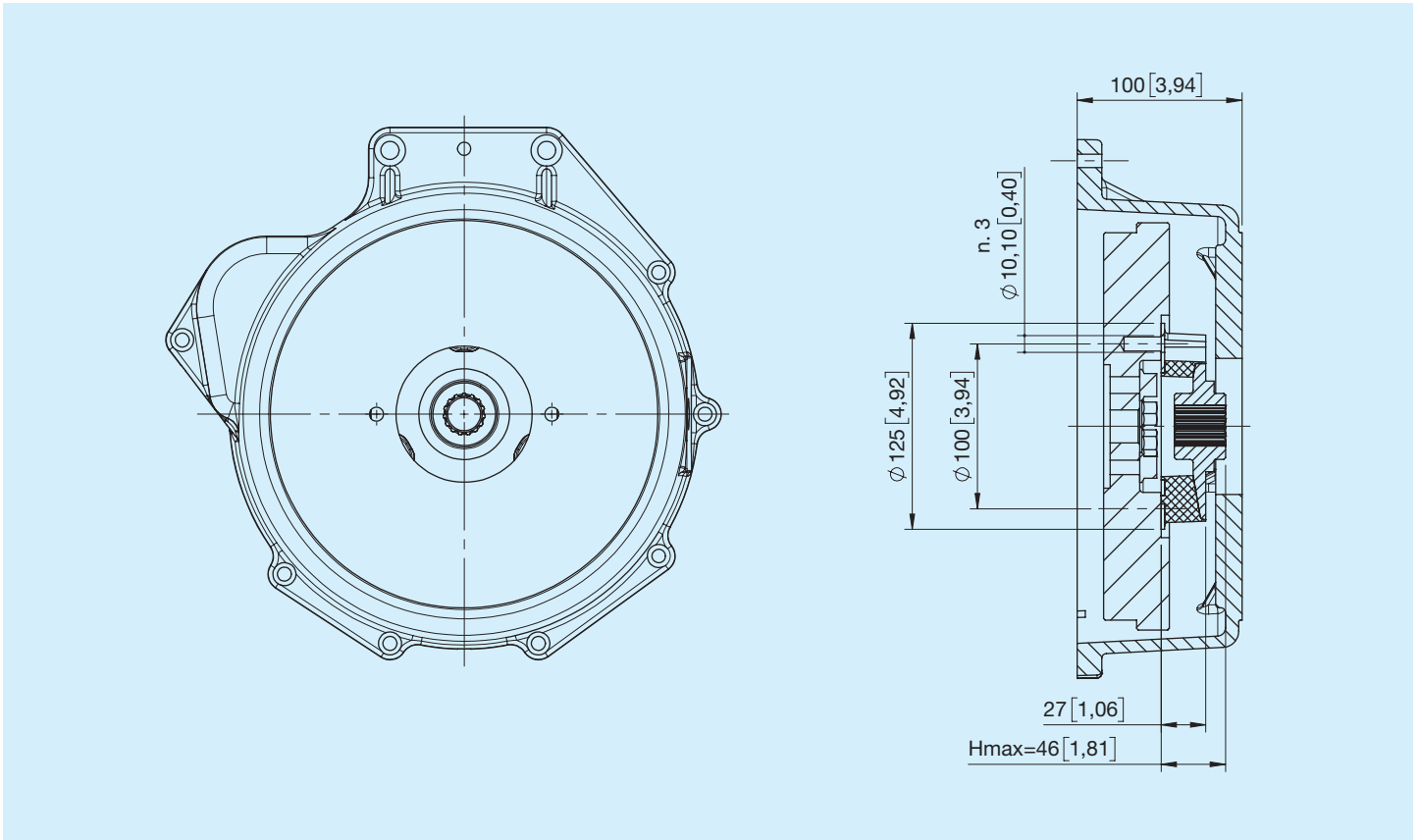


## Aluminium bell housing

| Code          | Pump centring       | Pump shaft |
|---------------|---------------------|------------|
| HMFEACKVEFAC  | SAE A 2+2 M10 holes | Z.9 16/32  |
| HMFEACKVEFAU  | SAE A 2+2 M10 holes | Z.11 16/32 |
| HMFEACKVEFAE  | SAE A 2+2 M10 holes | Z.13 16/32 |
| HMFEADPKVEFAU | SAE B 2+2 M14 holes | Z.11 16/32 |
| HMFEADPKVEFAE | SAE B 2+2 M14 holes | Z.13 16/32 |
| HMFEADPKVEFAR | SAE B 2+2 M14 holes | Z.15 16/32 |

## Cast iron bell housing

| Code          | Pump centring       | Pump shaft |
|---------------|---------------------|------------|
| HMFEAOKVEFAC  | SAE A 2+2 M10 holes | Z.9 16/32  |
| HMFEAOKVEFAU  | SAE A 2+2 M10 holes | Z.11 16/32 |
| HMFEAOKVEFAE  | SAE A 2+2 M10 holes | Z.13 16/32 |
| HMFEADUKVEFAU | SAE B 2+2 M14 holes | Z.11 16/32 |
| HMFEADUKVEFAE | SAE B 2+2 M14 holes | Z.13 16/32 |
| HMFEADUKVEFAR | SAE B 2+2 M14 holes | Z.15 16/32 |



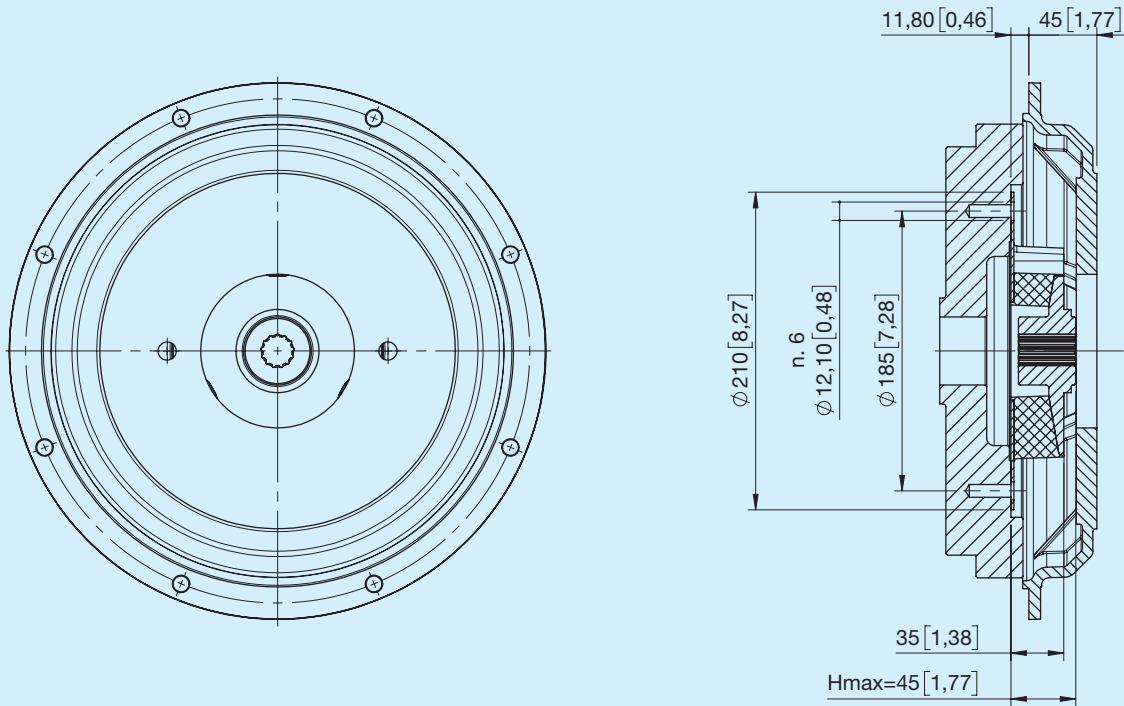
## Aluminium bell housing

| Code          | Pump centring       | Pump shaft |
|---------------|---------------------|------------|
| HMFECDCKVEFAB | SAE A 2+2 M10 holes | Z.9 16/32  |
| HMFECDCKVEFAT | SAE A 2+2 M10 holes | Z.11 16/32 |
| HMFECDCKVEFAL | SAE A 2+2 M10 holes | Z.13 16/32 |
| HMFEFDKVEFAT  | SAE B 2+2 M14 holes | Z.11 16/32 |
| HMFEFDKVEFAL  | SAE B 2+2 M14 holes | Z.13 16/32 |
| HMFEFDKVEFAG  | SAE B 2+2 M14 holes | Z.15 16/32 |

## Cast iron bell housing

| Code          | Pump centring       | Pump shaft |
|---------------|---------------------|------------|
| HMFECDCKVEFAB | SAE A 2+2 M10 holes | Z.9 16/32  |
| HMFECDCKVEFAT | SAE A 2+2 M10 holes | Z.11 16/32 |
| HMFECDCKVEFAL | SAE A 2+2 M10 holes | Z.13 16/32 |
| HMFEFLKVEFAT  | SAE B 2+2 M14 holes | Z.11 16/32 |
| HMFEFLKVEFAL  | SAE B 2+2 M14 holes | Z.13 16/32 |
| HMFEFLKVEFAG  | SAE B 2+2 M14 holes | Z.15 16/32 |

D1503-M D1703-M D1803-M V2003-M V2203-M V2403-M V2403M-T



| Code         | Pump centring     | Pump shaft |
|--------------|-------------------|------------|
| HMFCEHKVEFBJ | SAE B 2 M14 holes | Z.13 16/32 |
| HMFCEHKVEFAD | SAE B 2 M14 holes | Z.15 16/32 |