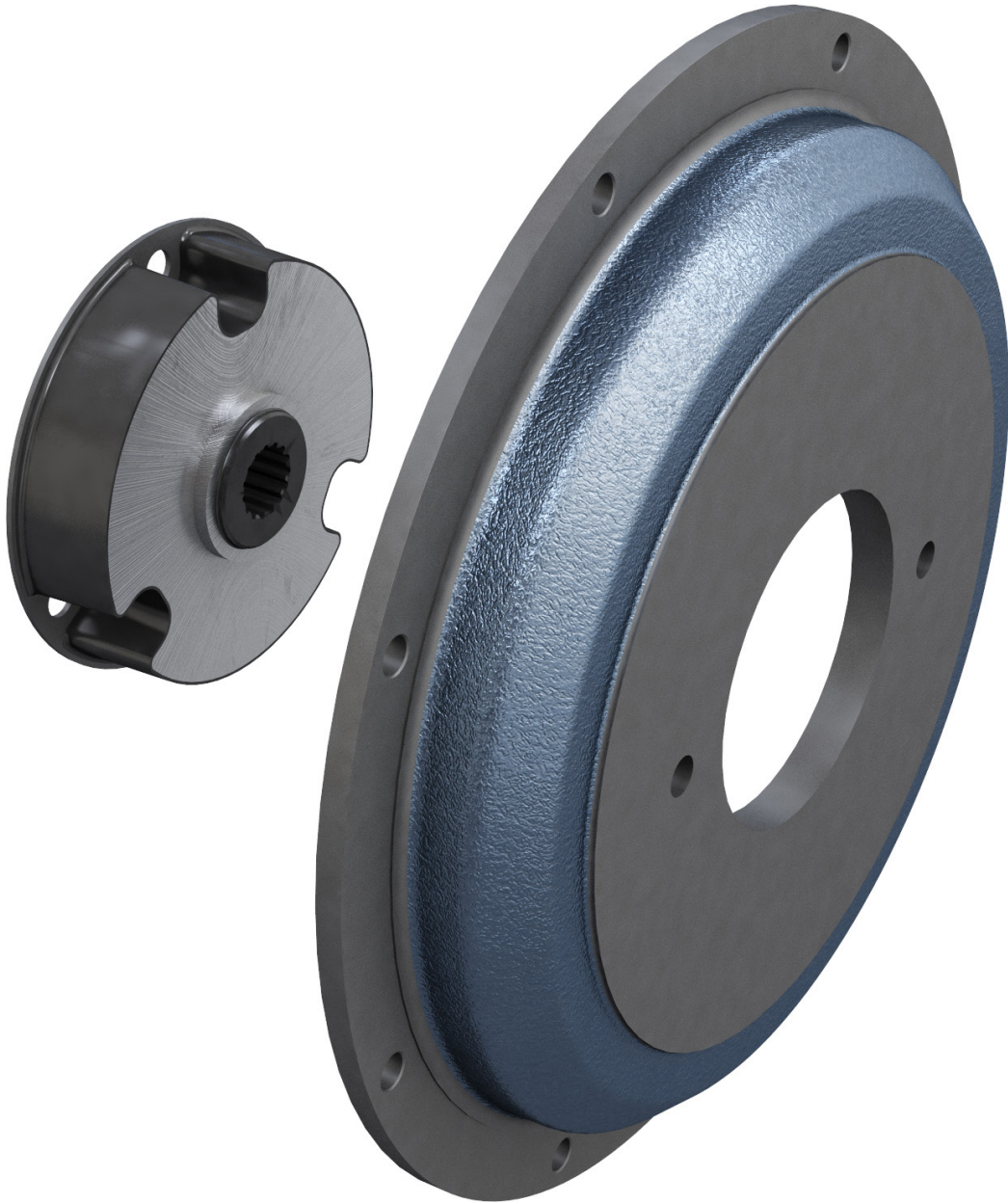


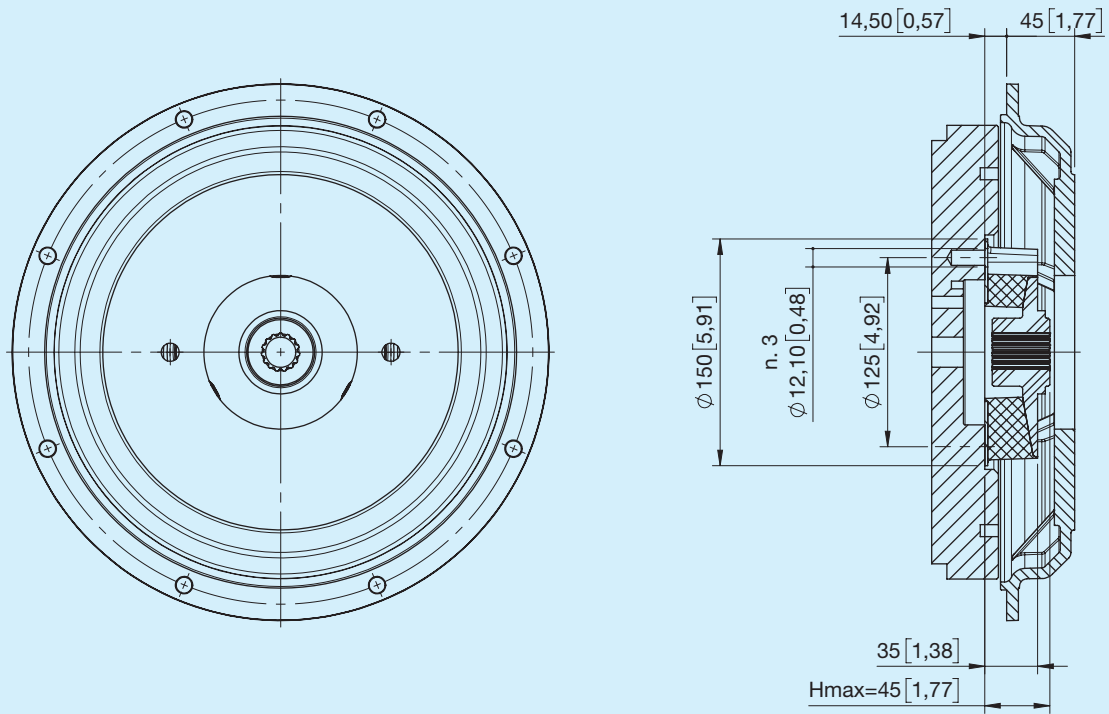
KVE flexible coupling for Yanmar engines



Before use, carefully read the GENERAL INSTRUCTIONS FOR USE OF COUPLING SYSTEMS

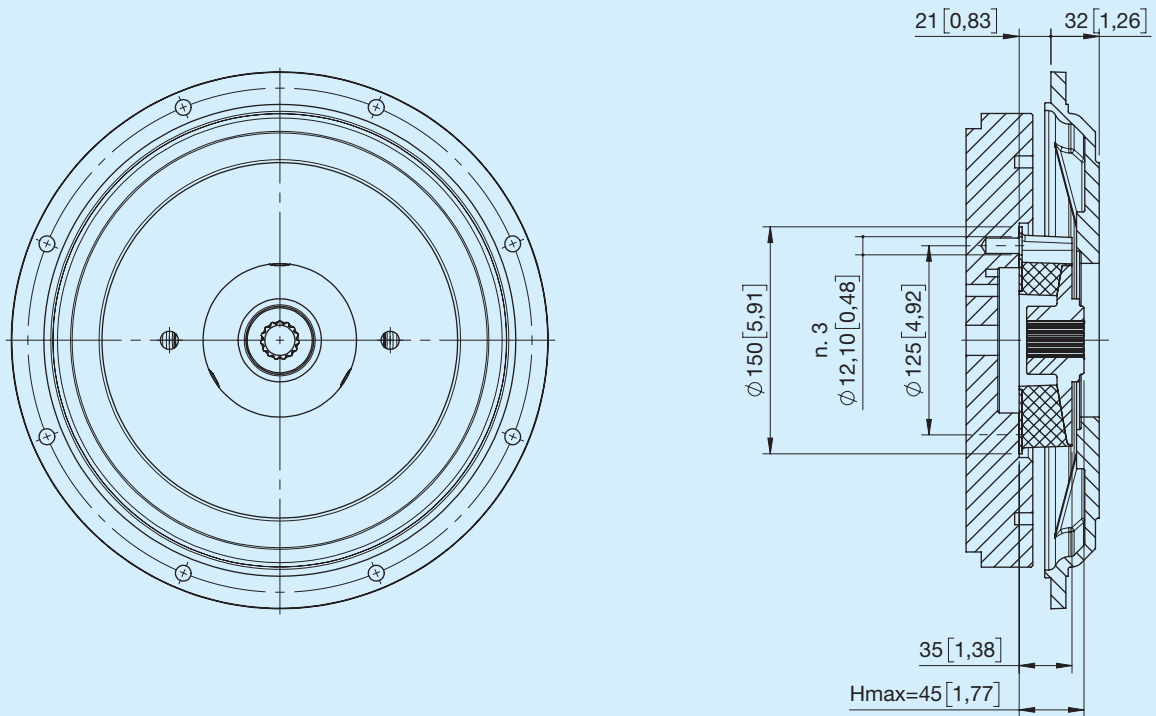
KVE Yanmar Yanmar 3TNV70 - 3TNV76 Bell housings

Yanmar 3TNV70 - 3TNV76



Code	Pump centring	Pump shaft
HMFCEHKVEFAH	SAE B 2 M14 holes	Z.13 16/32
HMFCEHKVEFAI	SAE B 2 M14 holes	Z.15 16/32

Yanmar 4TNV82 - 3TNV82A



Code	Pump centring	Pump shaft
HMFCEFKVEFAH	SAE B 2 M14 holes	Z.13 16/32
HMFCEFKVEFAI	SAE B 2 M14 holes	Z.15 16/32