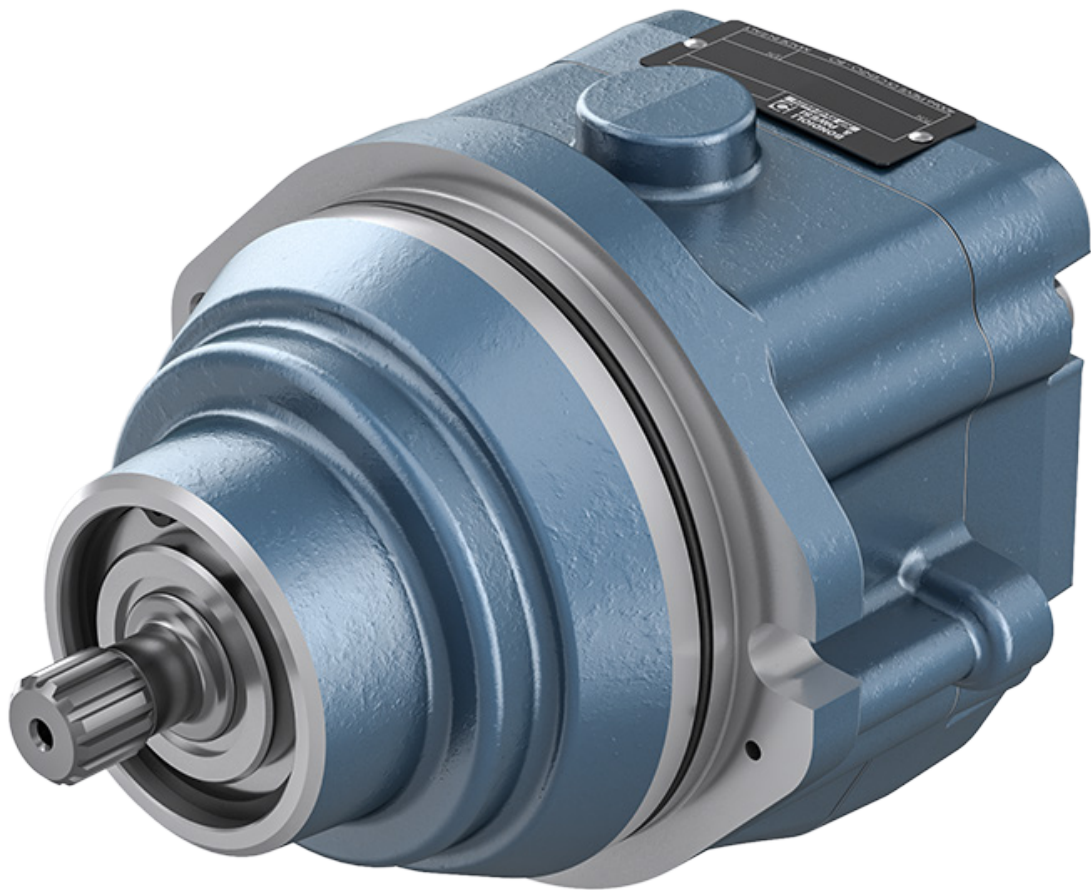
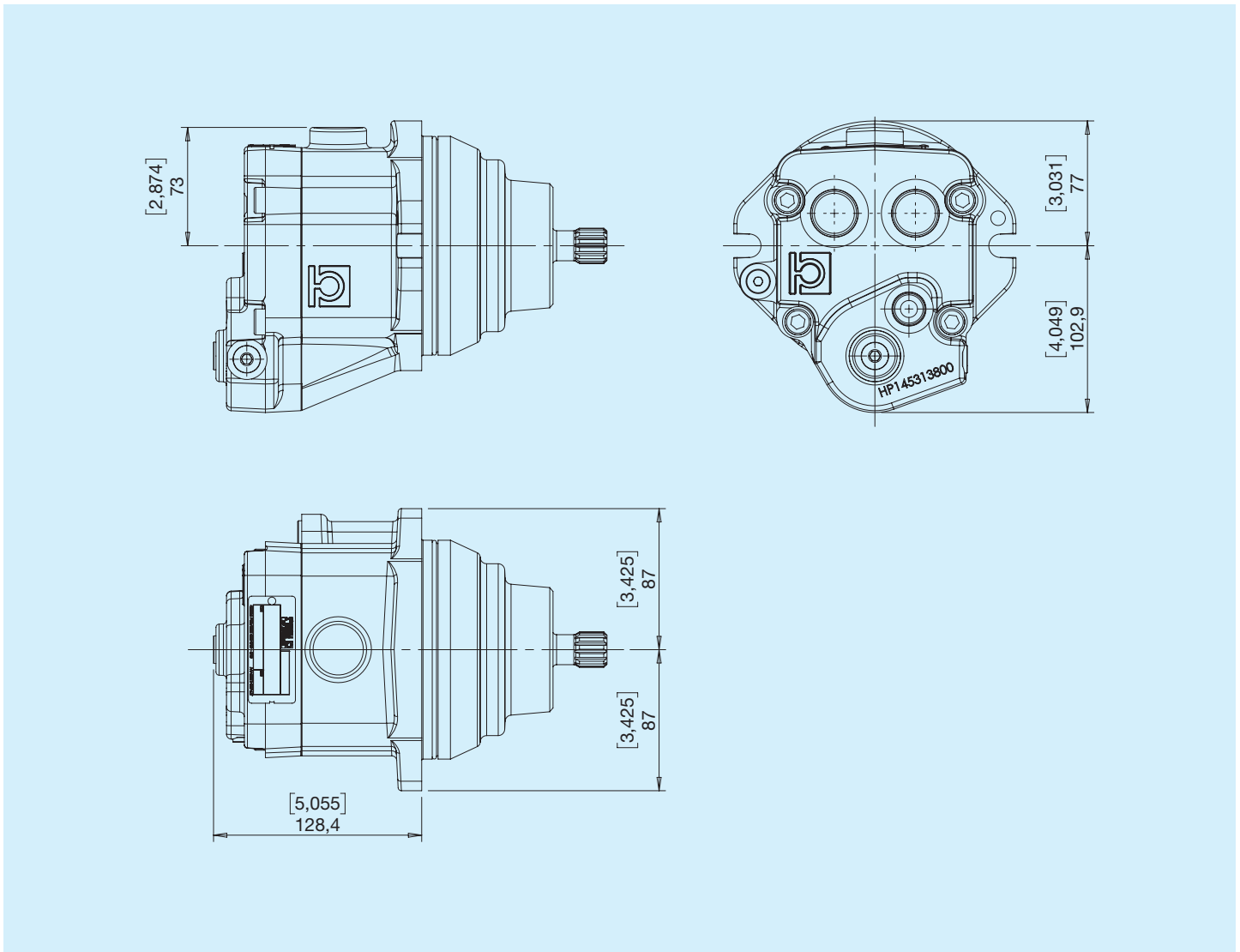


Variable-displacement motors

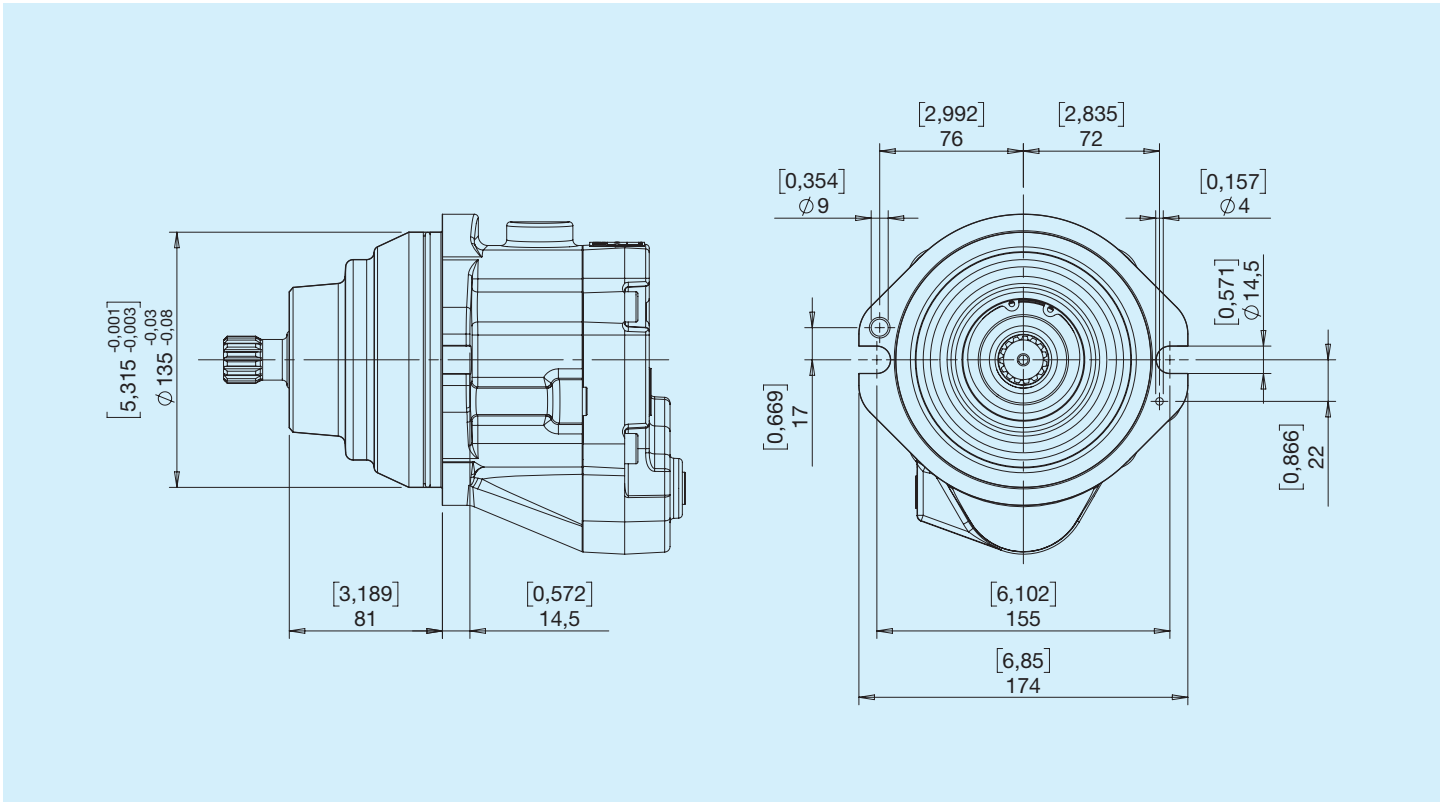


Before using the axial piston pumps and motors, carefully read the GENERAL INSTRUCTIONS FOR USE OF CLOSED CIRCUIT AXIAL PISTON PUMPS AND MOTORS.

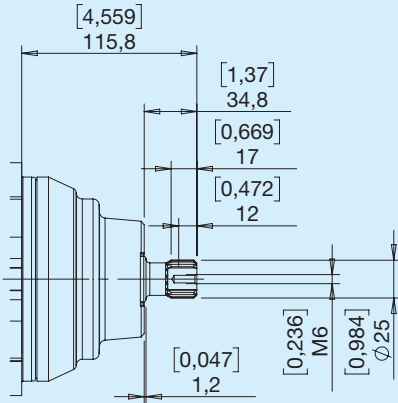


HPV3	Nominal displacement		Shoe/retainer plate °	Continuous pressure		Intermittent pressure		Peak pressure		Rotational speed		Weight	
	cm ³	in ³		bar	psi	bar	psi	bar	psi	min ⁻¹	min ⁻¹	kg	lbs
040	38	2.31	14.6	300	4350	320	4640	350	5075	4400	500	13.5	29.7

C Cartridge centring

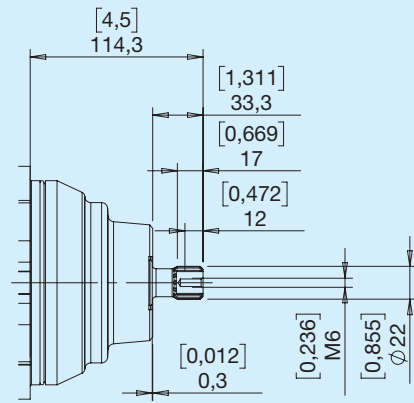


1 SAE 15T 16/32 DP



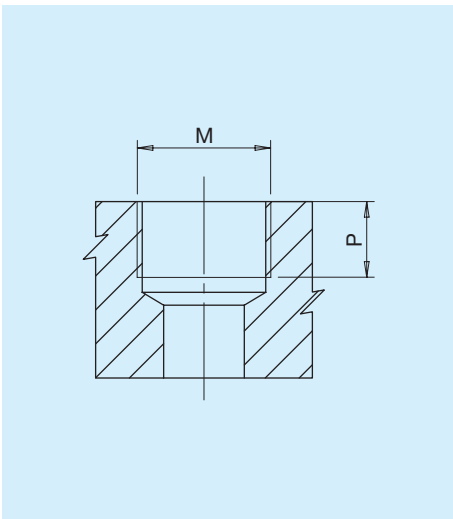
Max. torque 230 Nm

9 SAE 13T 16/32 DP



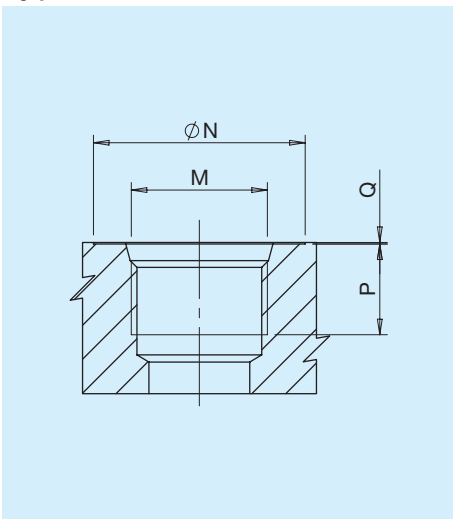
Max. torque 180 Nm

Type G



Type	M	Nm	P	
			mm	in
G2	Port ISO 1179-1 - G 1/4	17	12	0.47
G3	Port ISO 1179-1 - G 3/8	38	12	0.47
G4	Port ISO 1179-1 - G 1/2	70	14	0.55
G6	Port ISO 1179-1 - G 3/4	90	16	0.63

Type U



Type	Dim.	N		P		Q		M	Nm
		mm	in	mm	in	mm	in		
U2	1/4"	22	0.87	10	0.39	0.3	0.01	Port ISO 11926-1-7/16-20	17
U3	3/8"	25	0.98	13	0.51	0.3	0.01	Port ISO 11926-1-9/16-18	38
U4	1/2"	30	1.18	15	0.59	0.3	0.01	Port ISO 11926-1-3/4-16	47
U6	3/4"	42	1.65	20	0.79	0.3	0.01	Port ISO 11926-1-1 1/16-12	90

Combinations

Type	Inlet/outlet A-B	Drain port L	Pilot pressure P1-P2	Brake opening port P3
G	G6	G6	G6	G2
U	U6	U6	U6	U2

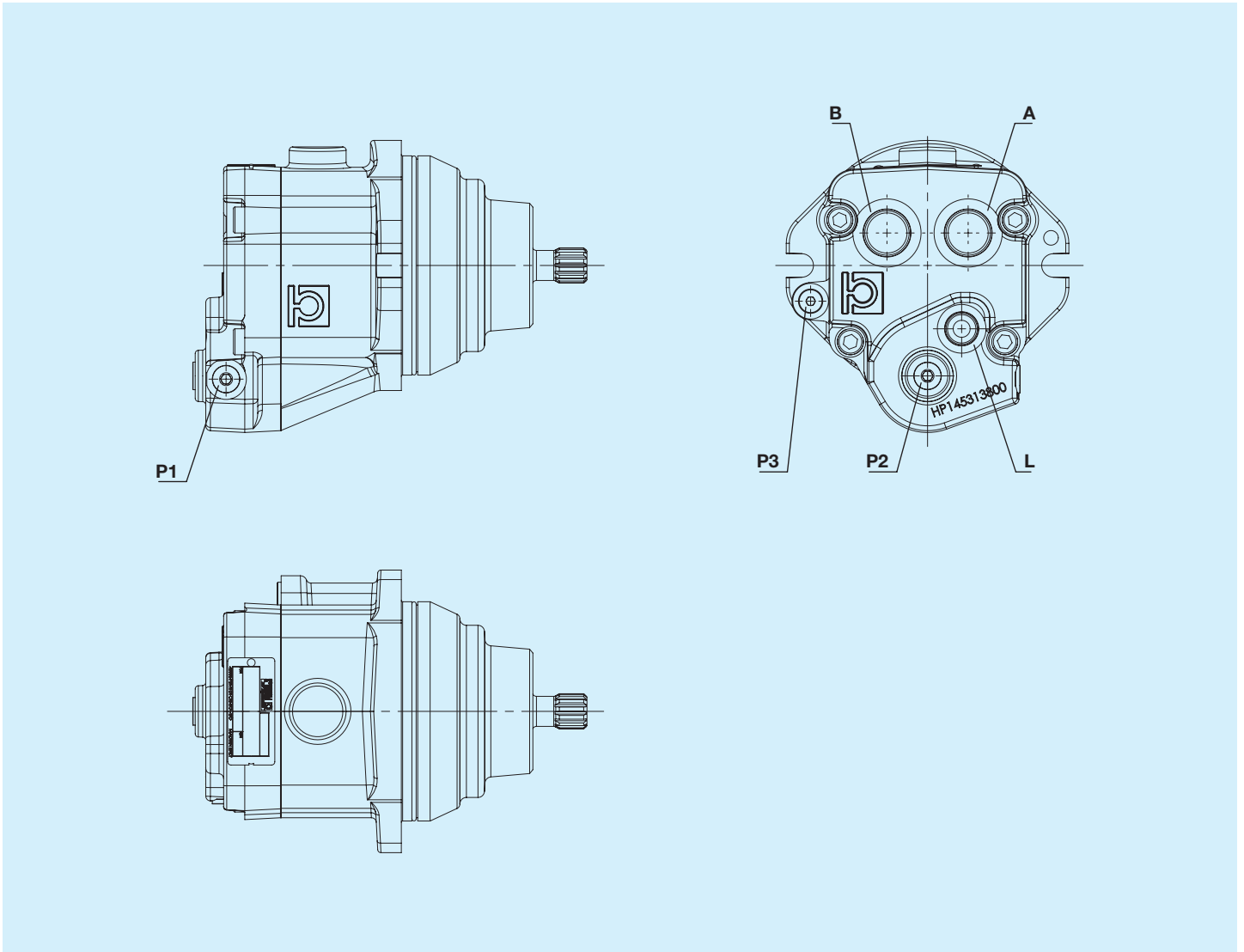
A,B - Use

L1, L2 - Drain port

S - Inlet

P3 - Pilotaggio sblocco freno

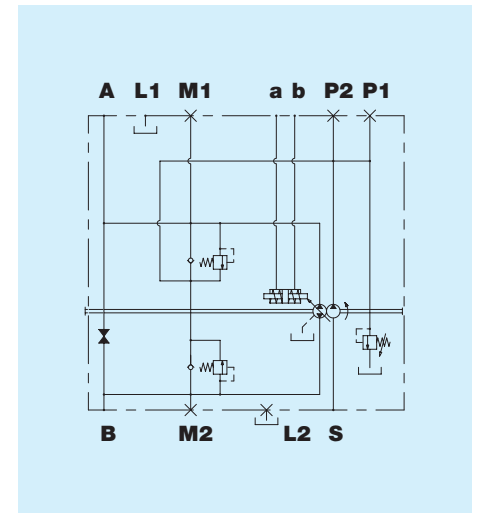
K 2 position hydraulic



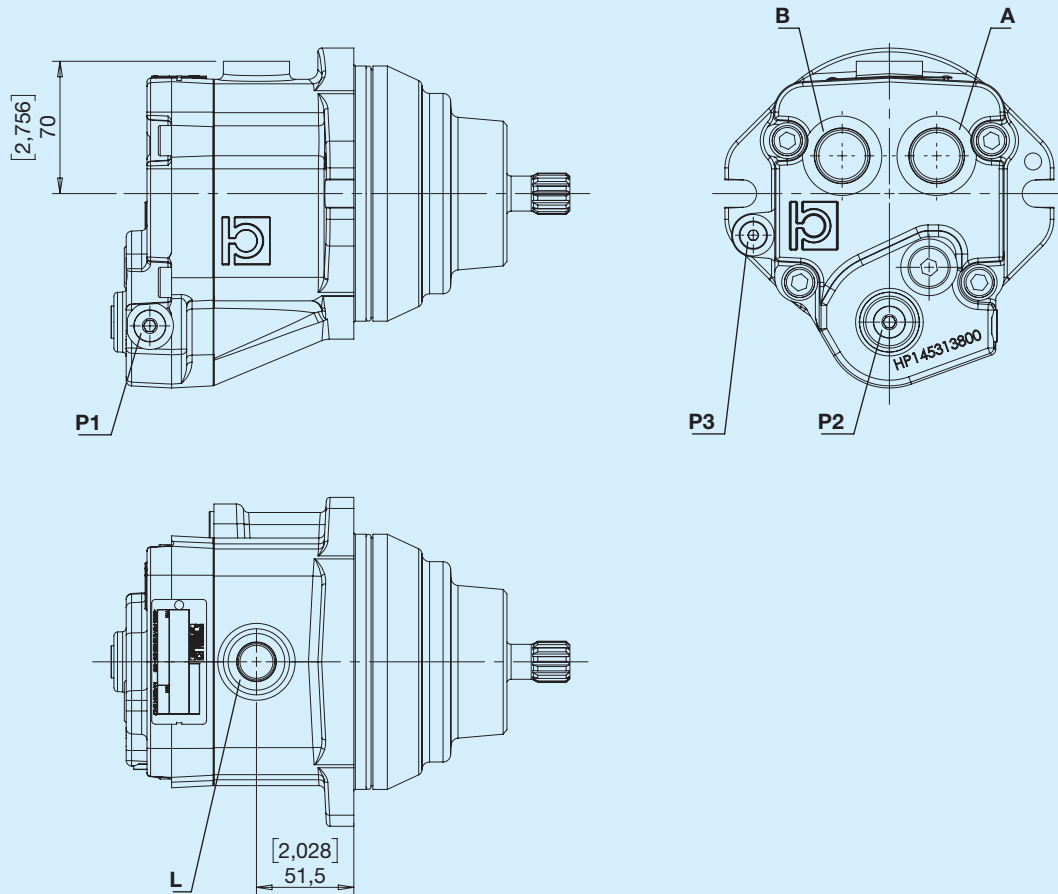
Outlet

Inlet	Rotation
Right	Right
Right	Left

Hydraulic diagram

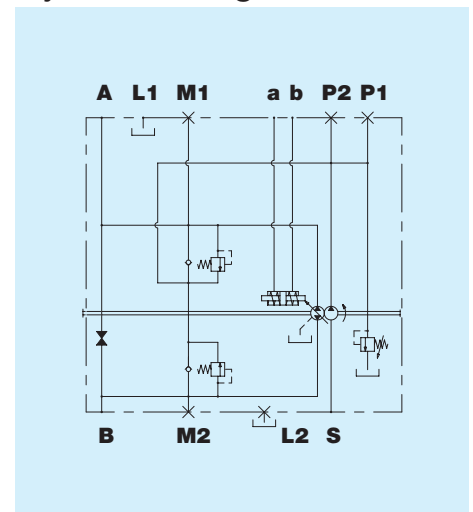


L Side drain



L - Drain port G1/2

Hydraulic diagram



1	2 3	4 5 6	7	8	9	10	11	12 13 14
HPV3	<input type="checkbox"/>	<input type="checkbox"/> <input type="checkbox"/>	<input type="checkbox"/> <input type="checkbox"/> <input type="checkbox"/>	<input type="checkbox"/>	<input type="checkbox"/>	<input type="checkbox"/>	<input type="checkbox"/>	<input type="checkbox"/> <input type="checkbox"/> <input type="checkbox"/>
1	Flanges							
<input type="checkbox"/>	C Cartridge centring							
2 3	Standard displacement							
<input type="checkbox"/> <input type="checkbox"/>	38							
4 5 6	Minimum displacement							
<input type="checkbox"/> <input type="checkbox"/> <input type="checkbox"/>	009							
7	Shaft profile							
<input type="checkbox"/>	1 SAE 15T 16/32 DP		9 SAE 13T 16/32 DP					
8	Type of ports							
<input type="checkbox"/>	G Gas			U Unf				
9	Position of ports							
<input type="checkbox"/>	P Rear							
10	Controls							
<input type="checkbox"/>	K 2 position hydraulic							
11	Accessories							
<input type="checkbox"/>	0 No option		L Side drain			C Black paint		
12 13 14	Special versions							
<input type="checkbox"/> <input type="checkbox"/> <input type="checkbox"/>	...							