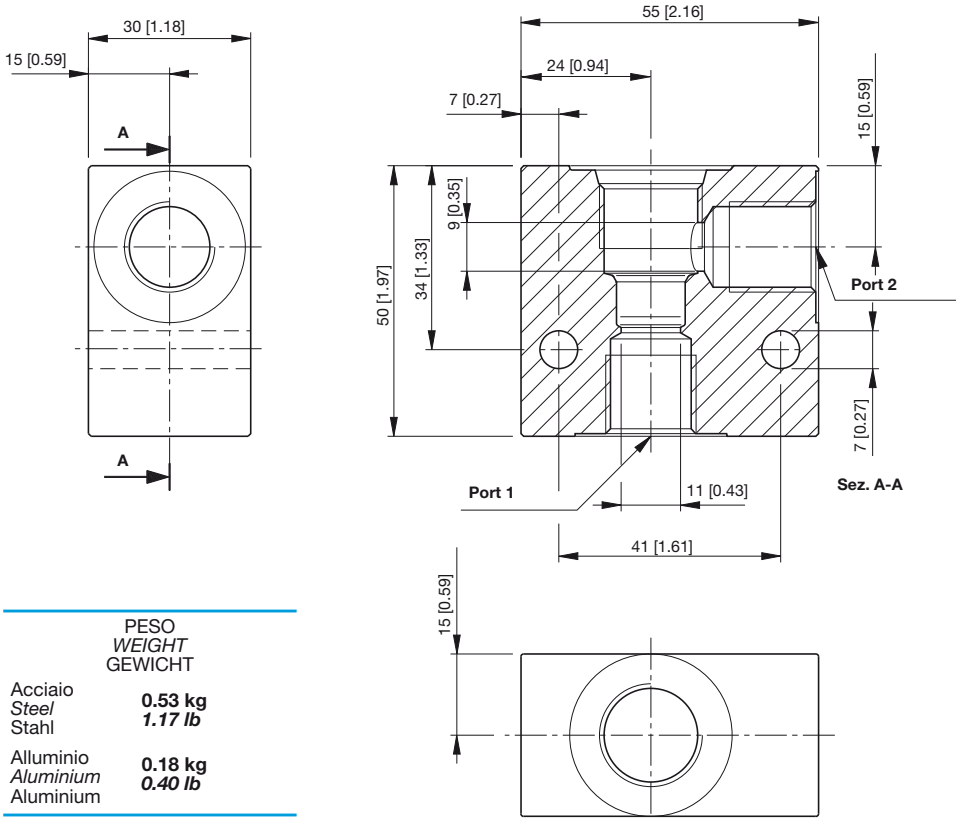




---

**CORPI PORTA VALVOLA STANDARD**  
***STANDARD VALVE HOUSINGS***  
**STANDARDGEHÄUSE**

398SCV0083A00

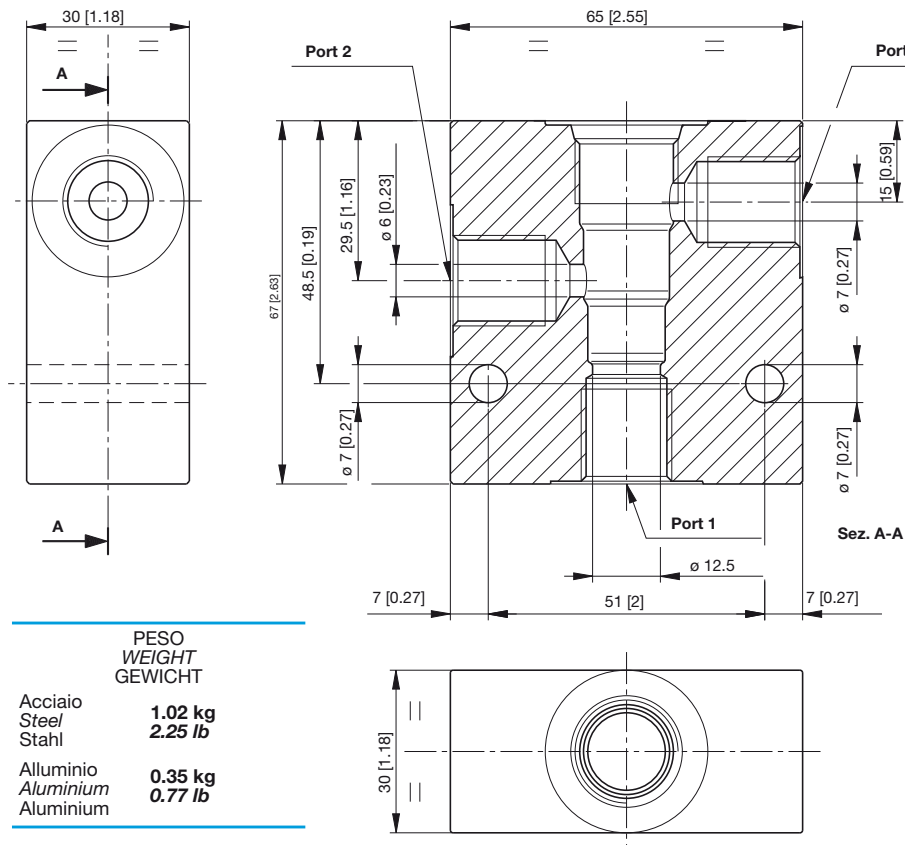


**PESO**  
**WEIGHT**  
**GEWICHT**

Acciaio Steel Stahl	<b>0.53 kg</b> <b>1.17 lb</b>
Alluminio Aluminium Aluminium	<b>0.18 kg</b> <b>0.40 lb</b>

**IDENTIFICAZIONE**  
**IDENTIFICATION**  
**IDENTIFIZIERUNG**

Filettatura Thread Gewinde	1 = 1/4 gas 2 = 3/8 gas	1 = 9/16-18 SAE	1 = M18 X 1.5	Press. Max Max. Press. Max. Druck.	Trattamento Treatment Behandlung
Acciaio Steel Stahl	1:4K01ASG00001 2:4K01ASG00002	1:4K01ASS00001	1:4K01ASM00001	350 bar	<b>Zincatura</b> <b>Zinc-plated</b> <b>Verzinkung</b>
Alluminio Aluminium Aluminium	1:4K01AAG00001 2:4K01AAG00002	1:4K01AAS00001	1:4K01AAM00001	250 bar	<b>Anodizzazione</b> <b>Anodised</b> <b>Anodisierung</b>



PESO  
WEIGHT  
GEWICHT

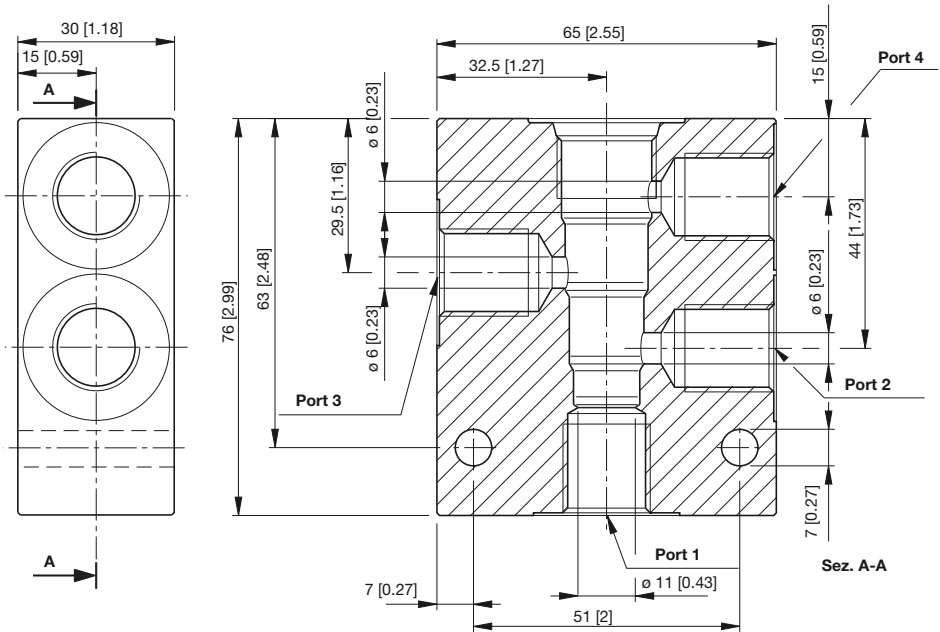
Acciaio Steel Stahl	<b>1.02 kg</b> <b>2.25 lb</b>
Alluminio Aluminium Aluminium	<b>0.35 kg</b> <b>0.77 lb</b>

IDENTIFICAZIONE  
IDENTIFICATION  
IDENTIFIZIERUNG

Filettatura Thread Gewinde	1 = 1/4 gas 2 = 3/8 gas	1 = 9/16-18 SAE	1 = M18 X 1.5	Press. Max Max. Press. Max. Druck.	Trattamento Treatment Behandlung
Acciaio Steel Stahl	1:4K01ASG00003 2:4K01ASG00004	1:4K01ASS00002	1:4K01ASM00002	350 bar	<b>Zincatura</b> <b>Zinc-plated</b> <b>Verzinkung</b>
Alluminio Aluminium Aluminium	1:4K01AAG00003 2:4K01AAG00004	1:4K01AAS00002	1:4K01AAM00002	250 bar	<b>Anodizzazione</b> <b>Anodised</b> <b>Anodisierung</b>

# SVH 08400

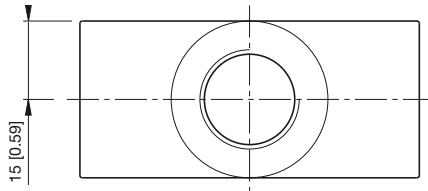
## CORPO PORTA VALVOLA STANDARD STANDARD VALVE HOUSING STANDARDGEHÄUSE



### PESO WEIGHT GEWICHT

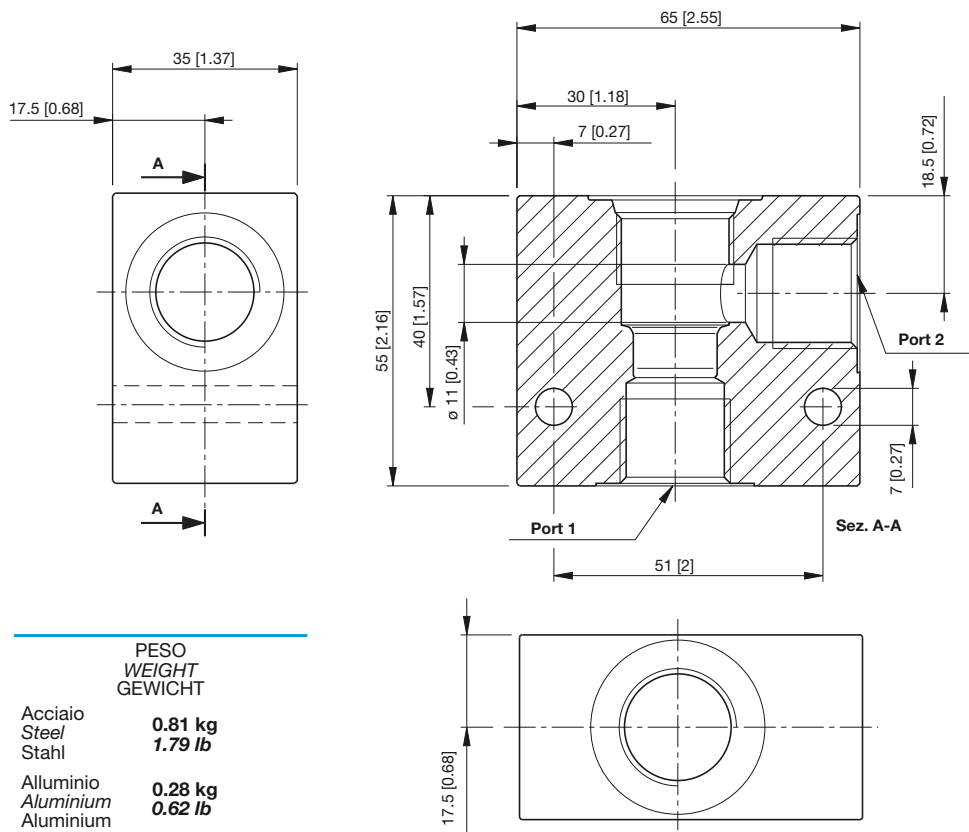
Acciaio  
Steel  
Stahl **0.93 kg**  
**2.05 lb**

Alluminio  
Aluminium  
Aluminium **0.32 kg**  
**0.71 lb**



### IDENTIFICAZIONE IDENTIFICATION IDENTIFIZIERUNG

Filettatura Thread Gewinde	1 = 1/4 gas 2 = 3/8 gas	1 = 9/16-18 SAE	1 = M18 X 1.5	Press. Max Max. Press. Max. Druck.	Trattamento Treatment Behandlung
Acciaio Steel Stahl	1:4K01ASG00005 2:4K01ASG00006	1:4K01ASS00003	1:4K01ASM00003	350 bar	<b>Zincatura</b> <b>Zinc-plated</b> <b>Verzinkung</b>
Alluminio Aluminium Aluminium	1:4K01AAG00005 2:4K01AAG00006	1:4K01AAS00003	1:4K01AAM00003	250 bar	<b>Anodizzazione</b> <b>Anodised</b> <b>Anodisierung</b>



PESO  
WEIGHT  
GEWICHT

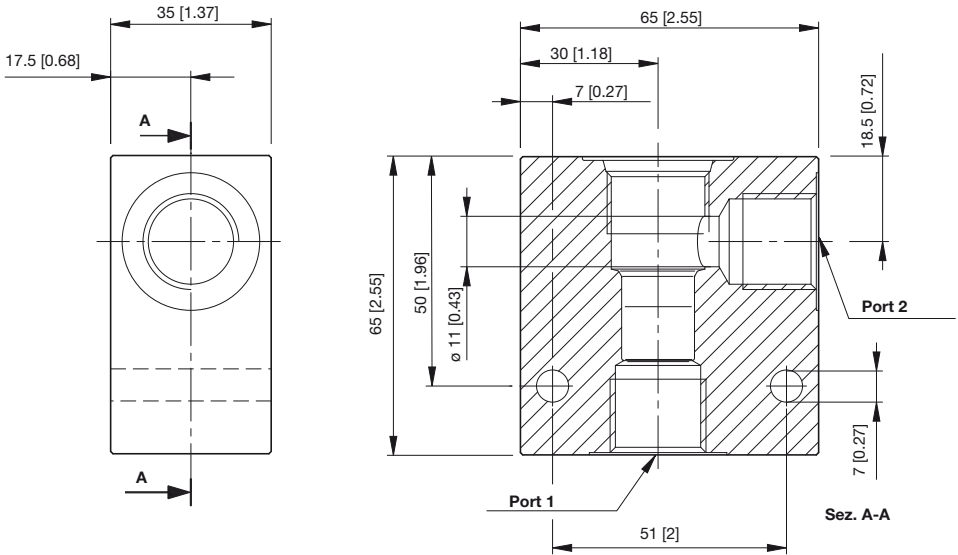
Acciaio Steel Stahl	<b>0.81 kg</b> <b>1.79 lb</b>
Alluminio Aluminium Aluminium	<b>0.28 kg</b> <b>0.62 lb</b>

IDENTIFICAZIONE  
IDENTIFICATION  
IDENTIFIZIERUNG

Filettatura Thread Gewinde	1 = 3/8 gas 2 = 1/2 gas	1 = 9/16-18 SAE 2 = 3/4-16 SAE	1 = M18 X 1.5	Press. Max Max. Press. Max. Druck	Trattamento Treatment Behandlung
Acciaio Steel Stahl	1:4K01BSG00001 2:4K01BSG00002	1:4K01BSS00001 2:4K01BSS00002	1:4K01BSM00001	350 bar	<b>Zincatura</b> <b>Zinc-plated</b> <b>Verzinkung</b>
Alluminio Aluminium Aluminium	1:4K01BAG00001 2:4K01BAG00002	1:4K01BAS00001 2:4K01BAS00002	1:4K01BAM00001	250 bar	<b>Anodizzazione</b> <b>Anodised</b> <b>Anodisierung</b>

# SVH 10201

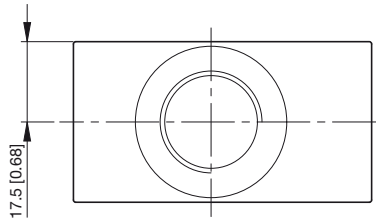
**CORPO PORTA VALVOLA STANDARD**  
**STANDARD VALVE HOUSING**  
**STANDARDGEHÄUSE**



**PESO**  
**WEIGHT**  
**GEWICHT**

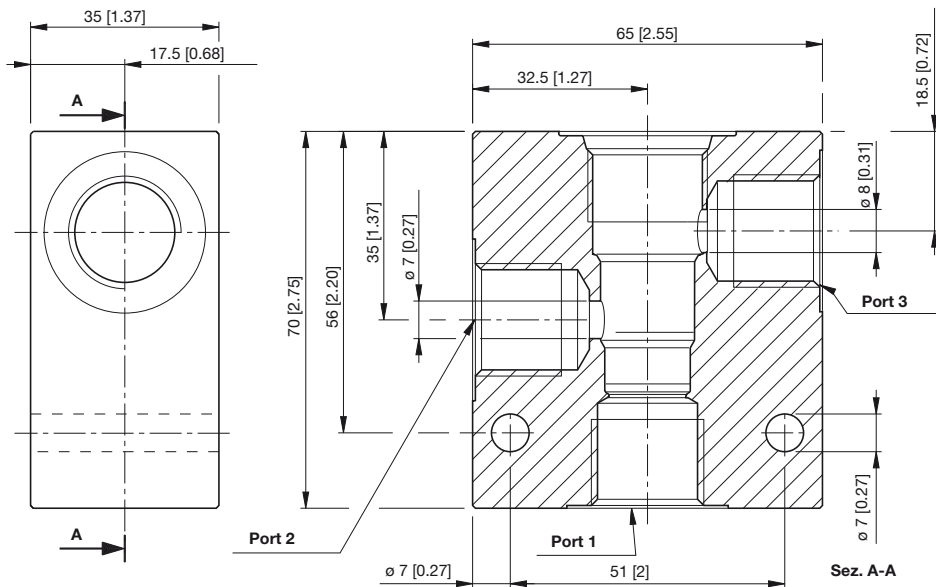
Acciaio  
 Steel  
 Stahl **0.95 kg**  
**2.09 lb**

Alluminio  
 Aluminium  
 Aluminium **0.32 kg**  
**0.7 lb**



## IDENTIFICAZIONE IDENTIFICATION IDENTIFIZIERUNG

Filettatura Thread Gewinde	1 = 3/8 gas 2 = 1/2 gas	1 = 9/16-18 SAE 2 = 3/4-16 SAE	1 = M18 X 1.5	Press. Max Max. Press. Max. Druck.	Trattamento Treatment Behandlung
Acciaio Steel Stahl	1:4K01BSG00007 2:4K01BSG00008	1:4K01BSS00007 2:4K01BSS00008	1:4K01BSM00004	350 bar	<b>Zincatura</b> <b>Zinc-plated</b> <b>Verzinkung</b>
Alluminio Aluminium Aluminium	1:4K01BAG00007 2:4K01BAG00008	1:4K01BAS00007 2:4K01BAS00008	1:4K01BAM00004	250 bar	<b>Anodizzazione</b> <b>Anodised</b> <b>Anodisierung</b>



PESO  
WEIGHT  
GEWICHT

Acciaio  
Steel  
Stahl **1.02 kg**  
**2.25 lb**

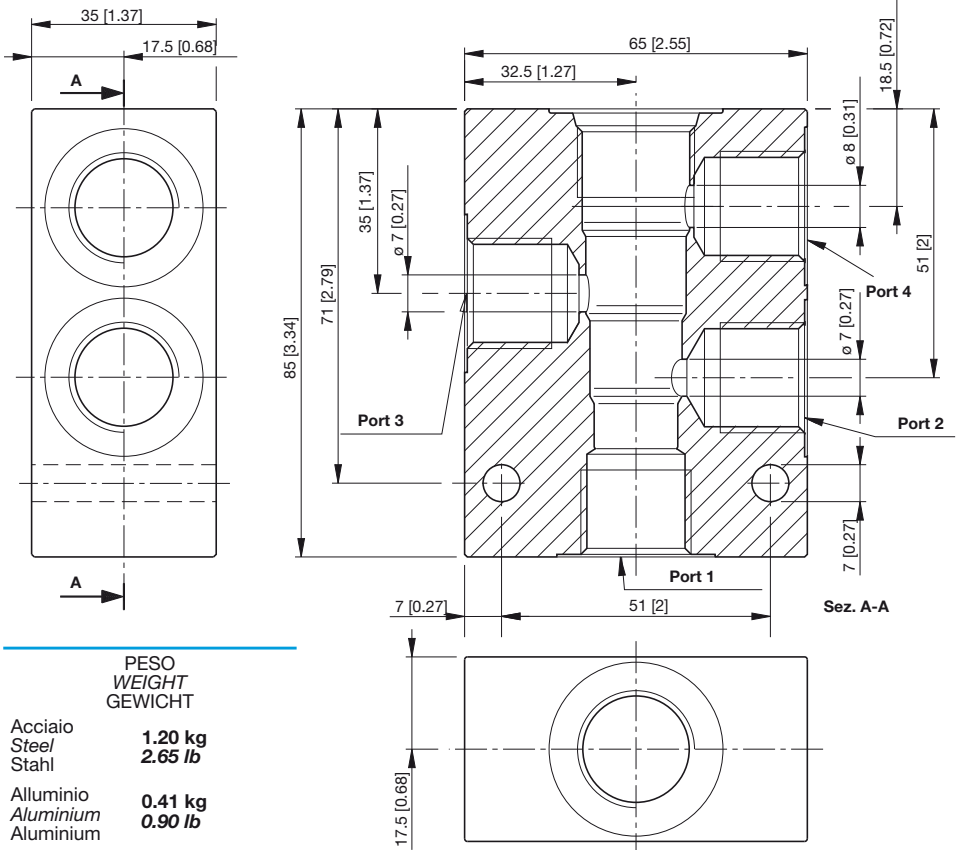
Alluminio  
Aluminium  
Aluminium **0.35 kg**  
**0.77 lb**

IDENTIFICAZIONE  
IDENTIFICATION  
IDENTIFIZIERUNG

Filettatura Thread Gewinde	1 = 3/8 gas 2 = 1/2 gas	1 = 9/16-18 SAE 2 = 3/4-16 SAE	1 = M18 X 1.5	Press. Max Max. Press. Max. Druck.	Trattamento Treatment Behandlung
Acciaio Steel Stahl	1:4K01BSG00003 2:4K01BSG00004	1:4K01BSS00003 2:4K01BSS00004	1:4K01BSM00002	350 bar	<b>Zincatura</b> <b>Zinc-plated</b> <b>Verzinkung</b>
Alluminio Aluminium Aluminium	1:4K01BAG00003 2:4K01BAG00004	1:4K01BAS00003 2:4K01BAS00004	1:4K01BAM00002	250 bar	<b>Anodizzazione</b> <b>Anodised</b> <b>Anodisierung</b>

# SVH 10400

## CORPO PORTA VALVOLA STANDARD STANDARD VALVE HOUSING STANDARDGEHÄUSE



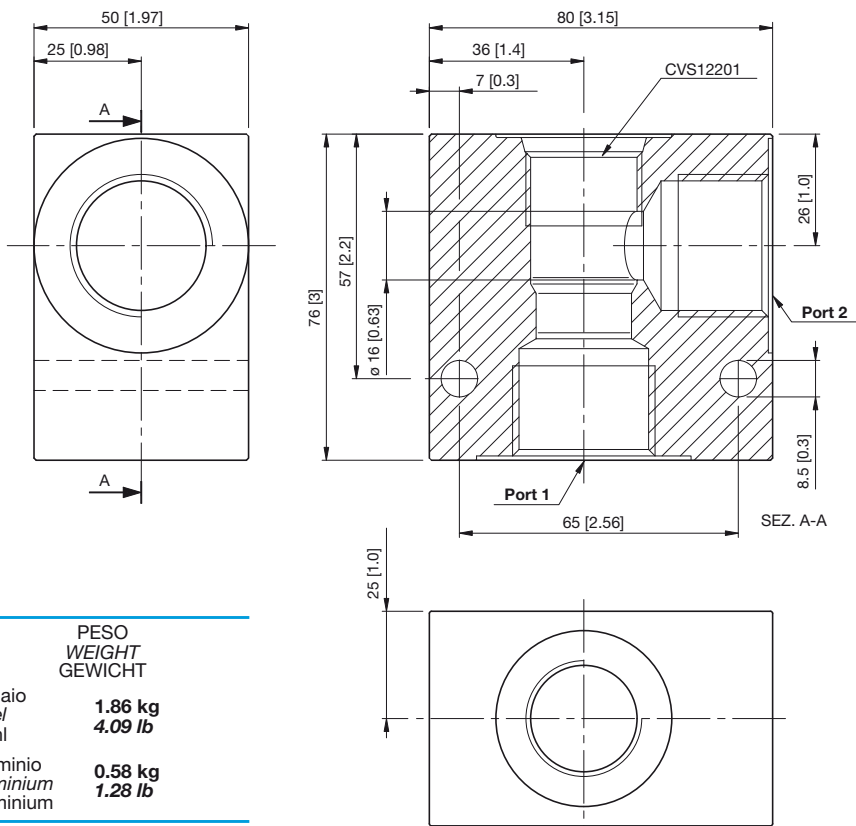
### PESO WEIGHT GEWICHT

Acciaio Steel Stahl	<b>1.20 kg</b> <b>2.65 lb</b>
Alluminio Aluminium Aluminium	<b>0.41 kg</b> <b>0.90 lb</b>

### IDENTIFICAZIONE IDENTIFICATION IDENTIFIZIERUNG

Filettatura Thread Gewinde	1 = 3/8 gas 2 = 1/2 gas	1 = 9/16-18 SAE 2 = 3/4-16 SAE	1 = M18 X 1.5	Press. Max Max. Press. Max. Druck.	Trattamento Treatment Behandlung
Acciaio Steel Stahl	1:4K01BSG00005 2:4K01BSG00006	1:4K01BSS00005 2:4K01BSS00006	1:4K01BSM00003	350 bar	<b>Zincatura</b> <b>Zinc-plated</b> <b>Verzinkung</b>
Alluminio Aluminium Aluminium	1:4K01BAG00005 2:4K01BAG00006	1:4K01BAS00005 2:4K01BAS00006	1:4K01BAM00003	250 bar	<b>Anodizzazione</b> <b>Anodised</b> <b>Anodisierung</b>





PESO  
 WEIGHT  
 GEWICHT

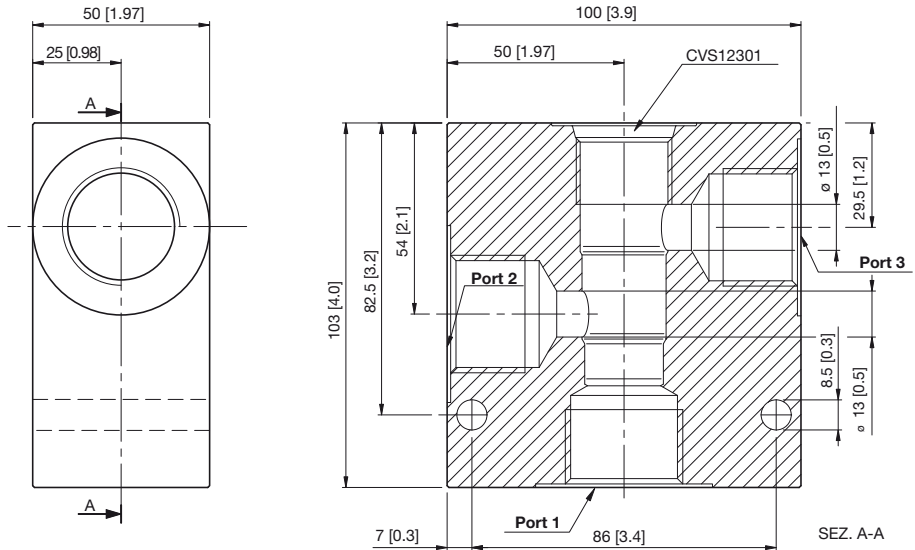
Acciaio	<b>1.86 kg</b>
Steel	<b>4.09 lb</b>
Stahl	
Aluminio	<b>0.58 kg</b>
Aluminium	<b>1.28 lb</b>
Aluminium	

IDENTIFICAZIONE  
 IDENTIFICATION  
 IDENTIFIZIERUNG

Filettatura Thread Gewinde	1 = 3/4 gas 2 = 1" gas	1 = 1"1/16-12 SAE 2 = 1"5/16-12 SAE	1 = M26 X 1.5	Press. Max Max. Press. Max. Druck.	Trattamento Treatment Behandlung
Acciaio Steel Stahl	1:4K01CSG00001 2:4K01CSG00002	1:4K01CSS00001 2:4K01CSS00002	1:4K01CSM00001	350 bar	<b>Zincatura</b> <b>Zinc-plated</b> <b>Verzinkung</b>
Aluminio Aluminium Aluminium	1:4K01CAG00001 2:4K01CAG00002	1:4K01CAS00001 2:4K01CAS00002	1:4K01CAM00001	250 bar	<b>Anodizzazione</b> <b>Anodised</b> <b>Anodisierung</b>

# SVH 12300

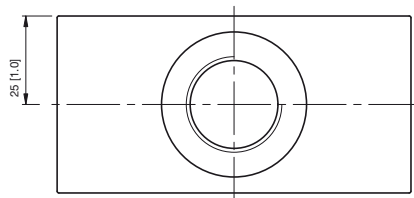
**CORPO PORTA VALVOLA 3 VIE 1" 1/16-12 SAE**  
**3 WAYS 1" 1/16-12 SAE VALVE HOUSING**  
**3 WEGE - 1" 1/16-12 GEHAUSE**



PESO  
WEIGHT  
GEWICHT

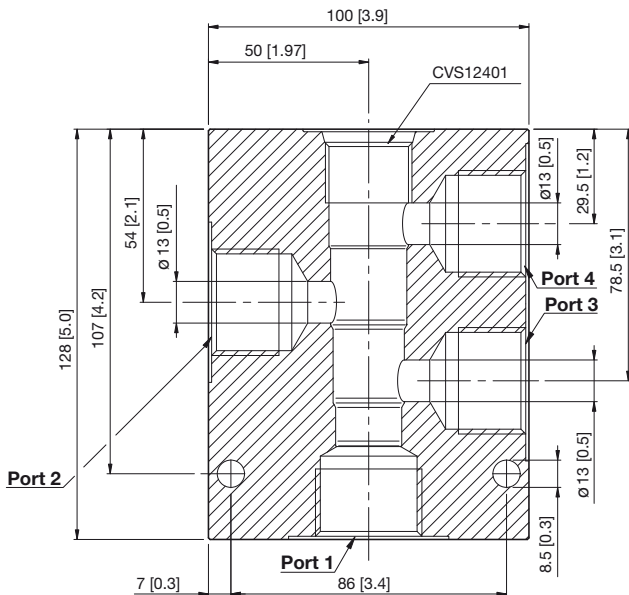
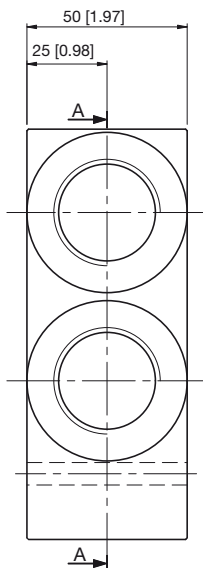
Acciaio  
Steel  
Stahl **3.48 kg**  
**7.65 lb**

Alluminio  
Aluminium  
Aluminium **1.08 kg**  
**2.37 lb**



## IDENTIFICAZIONE IDENTIFICATION IDENTIFIZIERUNG

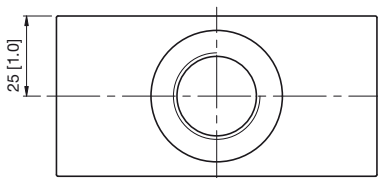
Filettatura Thread Gewinde	1 = 3/4" gas 2 = 1" gas 3 = 1/2" gas	1 = 1" 1/16-12 SAE 2 = 1" 5/16-12 SAE	1 = M26 X 1.5	Press. Max Max. Press. Max. Druck.	Trattamento Treatment Behandlung
Acciaio Steel Stahl	1:4K01CSG00003 2:4K01CSG00004	1:4K01CSS00003 2:4K01CSS00004	1:4K01CSM00002	350 bar	<b>Zincatura</b> <b>Zinc-plated</b> <b>Verzinkung</b>
Alluminio Aluminium Aluminium	1:4K01CAG00003 2:4K01CAG00004 3:4K01CAG00007	1:4K01CAS00003 2:4K01CAS00004	1:4K01CAM00002	250 bar	<b>Anodizzazione</b> <b>Anodised</b> <b>Anodisierung</b>



SEZ. A-A

PESO  
WEIGHT  
GEWICHT

Acciaio	<b>4.24 kg</b>
Steel	<b>9.33 lb</b>
Stahl	
Aluminio	<b>1.31 kg</b>
Aluminium	<b>2.88 lb</b>
Aluminium	

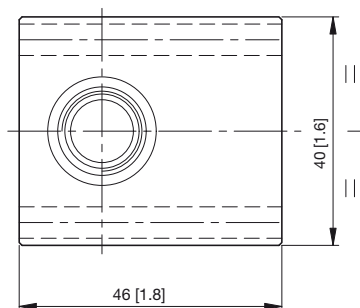
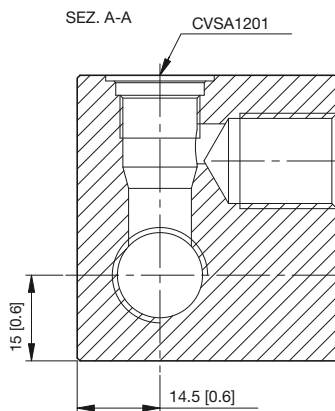
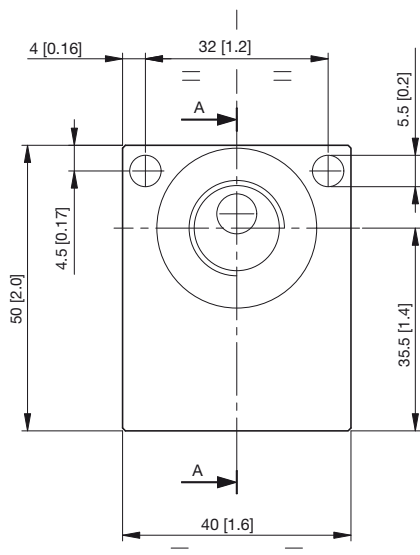


IDENTIFICAZIONE  
IDENTIFICATION  
IDENTIFIZIERUNG

Filettatura Thread Gewinde	1 = 3/4 gas 2 = 1" gas	1 = 1"1/16-12 SAE 2 = 1"5/16-12 SAE	1 = M26 X 1.5	Press. Max Max. Press. Max. Druck.	Trattamento Treatment Behandlung
Acciaio Steel Stahl	1:4K01CSG00005 2:4K01CSG00006	1:4K01CSS00005 2:4K01CSS00006	1:4K01CSM00003	350 bar	<b>Zincatura Zinc-plated Verzinkung</b>
Aluminio Aluminium Aluminium	1:4K01CAG00005 2:4K01CAG00006	1:4K01CAS00005 2:4K01CAS00006	1:4K01CAM00003	250 bar	<b>Anodizzazione Anodised Anodisierung</b>

# SVHA 1200

CORPO PORTA VALVOLA M14 x 1  
M14 x 1 VALVE HOUSING  
M14 x 1 GEHÄUSE



PESO  
WEIGHT  
GEWICHT

Alluminio **0.2 kg**  
Aluminium **0.44 lb**  
Aluminium

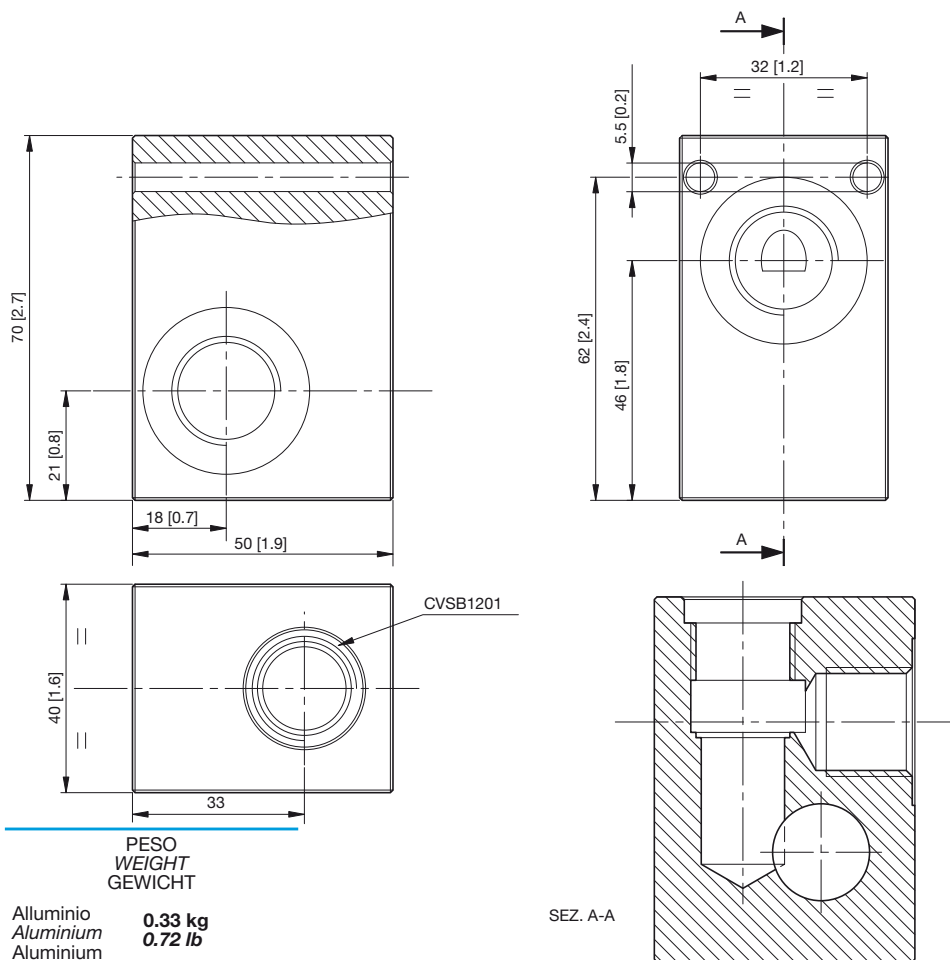
ISTRUZIONI PER L'ORDINAZIONE ORDERING INSTRUCTIONS BESTELLEANLEITUNG

**SVHA 1200**

Codice blocco  
Block code  
Gehäuse-Bestellnummer

Filettature  
Threads  
Gewinde

<b>G38</b>	G 3/8"
<b>S34</b>	3/4-16 SAE
<b>M18</b>	M18 x 1.5



ISTRUZIONI PER L'ORDINAZIONE ORDERING INSTRUCTIONS BESTELLEANLEITUNG

## SVHB 1200

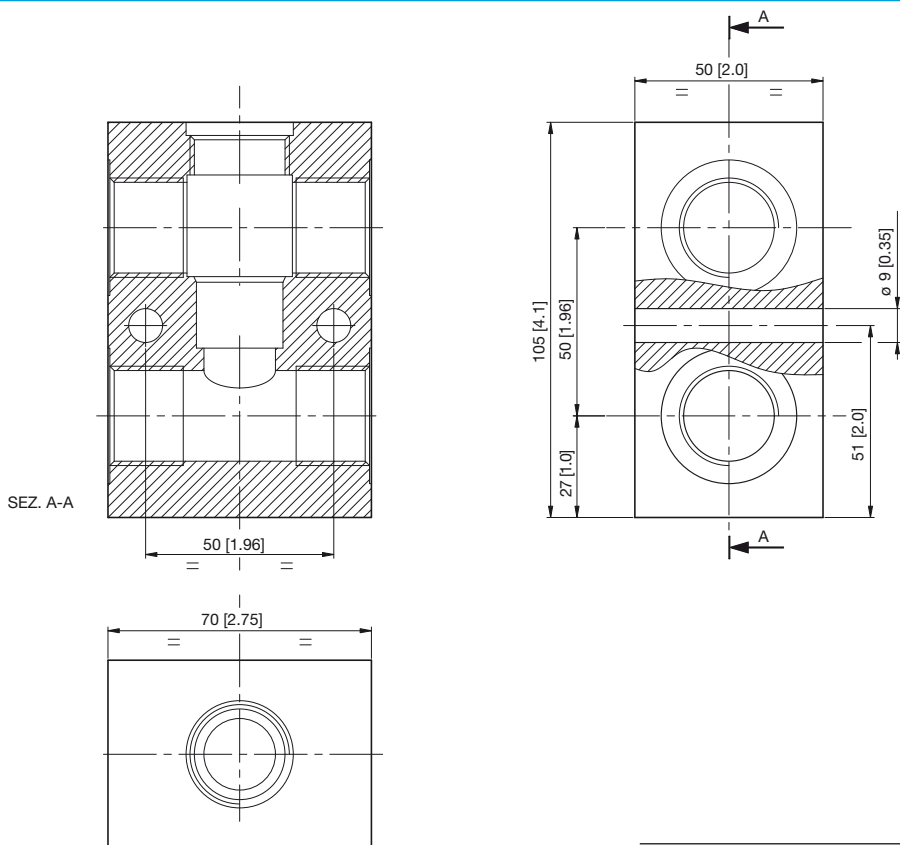
Codice blocco  
Block code  
Gehäuse-Bestellnummer

Filettature  
Threads  
Gewinde

<b>G38</b>	G 3/8"
<b>G12</b>	G 1/2"
<b>M18</b>	M18 x 1.5
<b>B22</b>	M22 x 1.5 ISO 6149

# SVHC 1200

CORPO PORTA VALVOLA G 3/4"  
G 3/4" VALVE HOUSING  
G 3/4" GEHÄUSE



PESO  
WEIGHT  
GEWICHT

Alluminio  
Aluminium  
Aluminium

**0.8 kg**  
**1,76 lb**

## ISTRUZIONI PER L'ORDINAZIONE ORDERING INSTRUCTIONS BESTELLEANLEITUNG

**SVHC 1200**

Codice blocco  
Block code  
Gehäuse-Bestellnummer

---

Filettature  
Threads  
Gewinde

<b>G34</b>	G 3/4"
<b>S16</b>	1"1/16-12 SAE