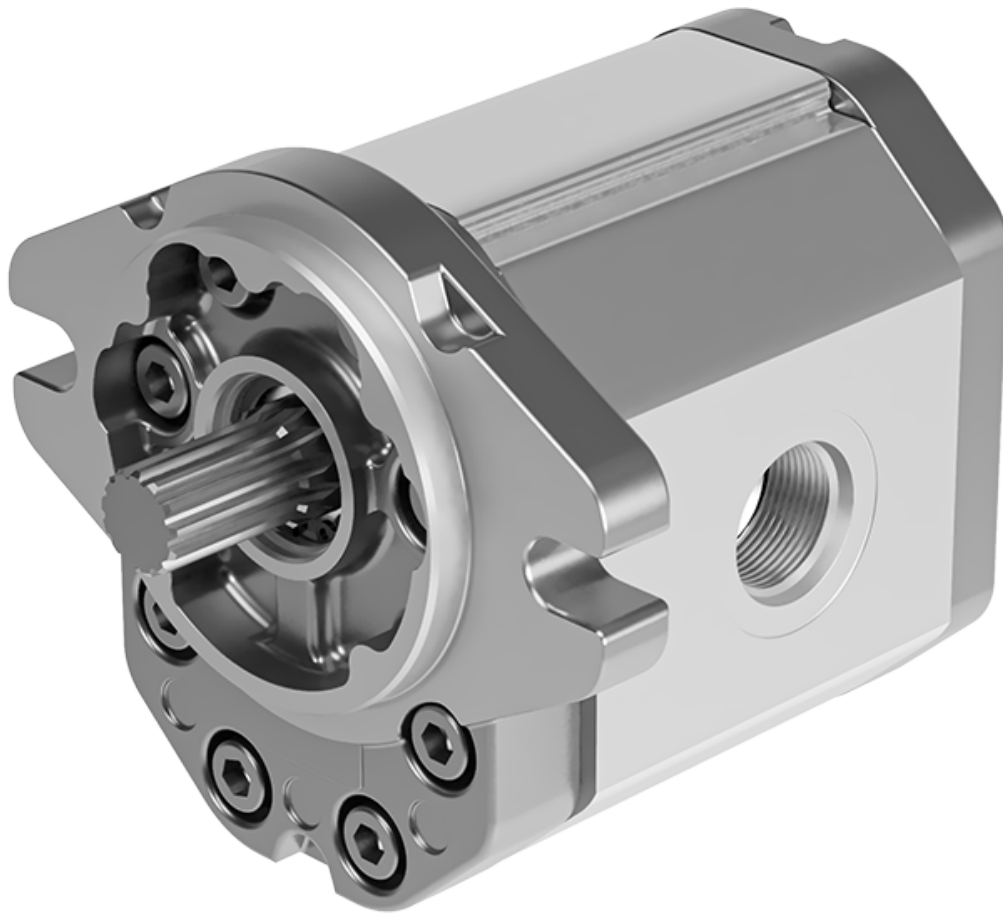
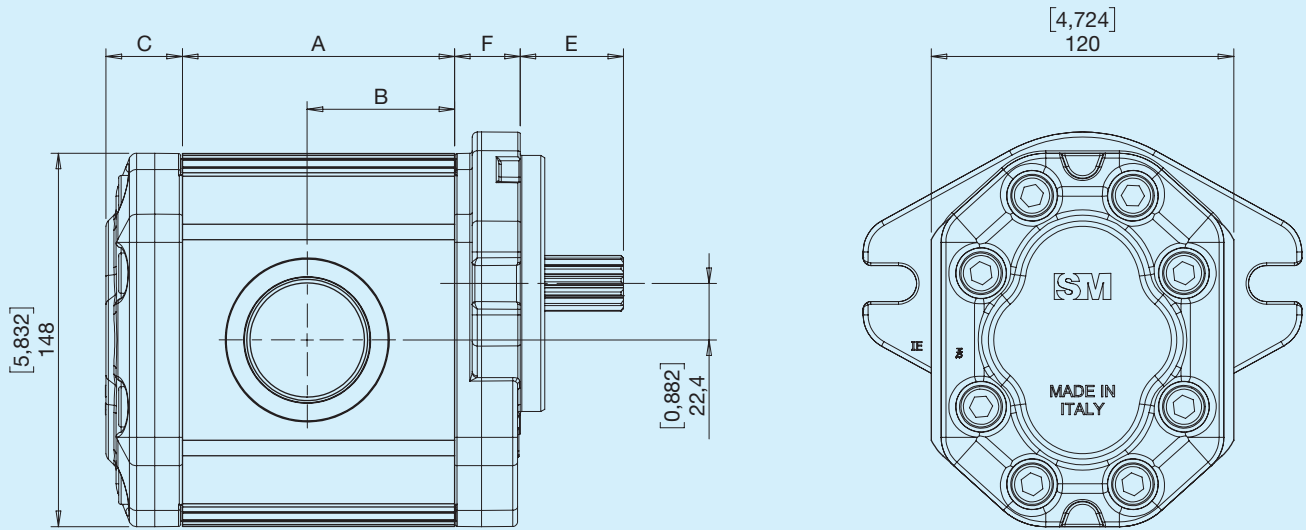


HPZS Series Group 3

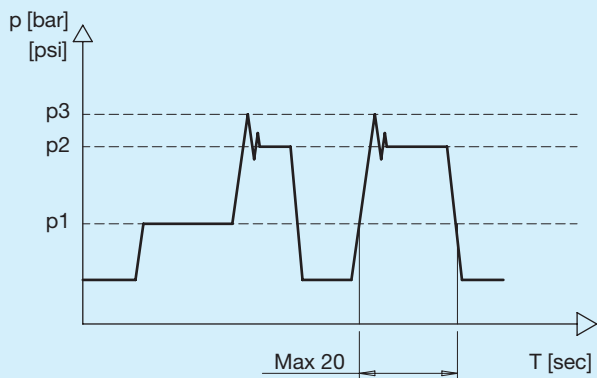


Before use, carefully read the GENERAL INSTRUCTIONS FOR USE OF GEAR PUMPS AND MOTORS.



C - See section on covers E - See section on shafts F - See section on flanges

Definition of pressures

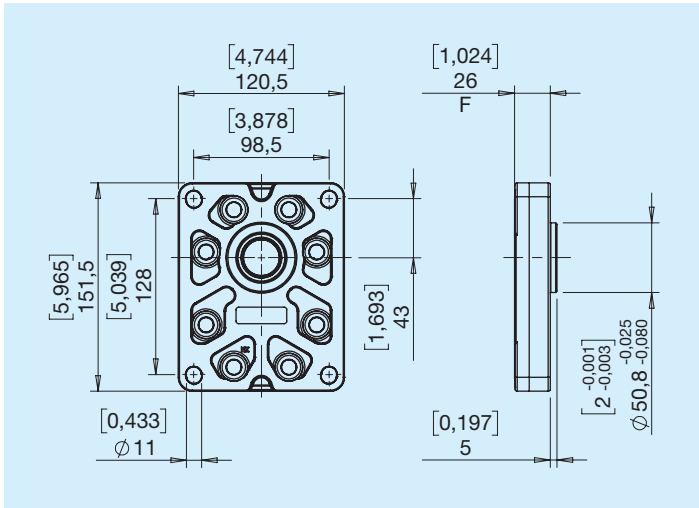


p_1	Continuous pressure
A,B - Use	Intermittent pressure Maximum pressure permitted for short periods (max. 20 sec)
L1, L2 - Drain port	Peak pressure Maximum permitted pressure intended as peak V_{max} pressure

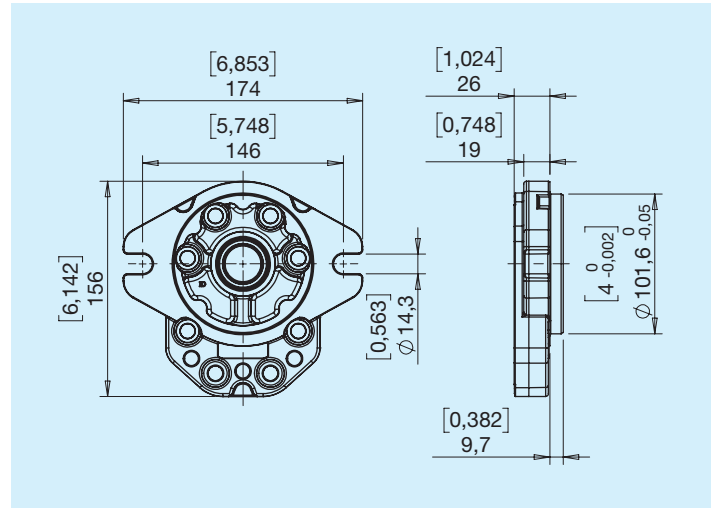
Pump dimensions and technical data

HPZSA3	Theoretical displacement		Continuous Pressure		Intermittent pressure		Peak pressure		Rotational speed		A		B	
	cm ³	in ³	bar	psi	bar	psi	bar	psi	MAX min ⁻¹	MIN min ⁻¹	mm	in	mm	in
20	20.4	1.24	280	4061	295	4278	310	4496	3500	300	73.5	2.89	36.75	1.45
22	21.6	1.32	280	4061	295	4278	310	4496	3500	300	74.5	2.93	37.25	1.47
26	26.3	1.60	280	4061	295	4278	310	4496	3500	300	78.5	3.09	39.25	1.55
33	33.3	2.03	270	3916	285	4134	300	4351	3500	300	84.5	3.33	42.25	1.66
39	39.1	2.39	260	3771	275	3988	290	4206	3500	300	89.5	3.52	44.75	1.76
43	43.2	2.64	250	3626	265	3843	280	4061	3500	200	93	3.66	46.5	1.83
51	52.0	3.17	230	3336	245	3553	260	3771	3500	200	100.5	3.96	50.25	1.98
61	60.8	3.71	210	3046	225	3263	240	3481	3300	200	108	4.25	54	2.13
64	64.3	3.92	210	3046	225	3263	240	3481	3200	200	111	4.37	55.5	2.19
73	70.7	4.31	200	2901	215	3118	230	3336	2900	200	116.5	4.59	58.25	2.29
78	78.3	4.78	180	2611	195	2828	210	3046	2600	200	123	4.84	61.5	2.42
90	87.1	5.32	160	2321	175	2538	190	2756	2400	200	130.5	5.14	65.25	2.57

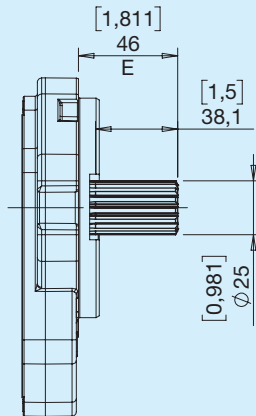
W European D50.8



Z SAE B 2 holes

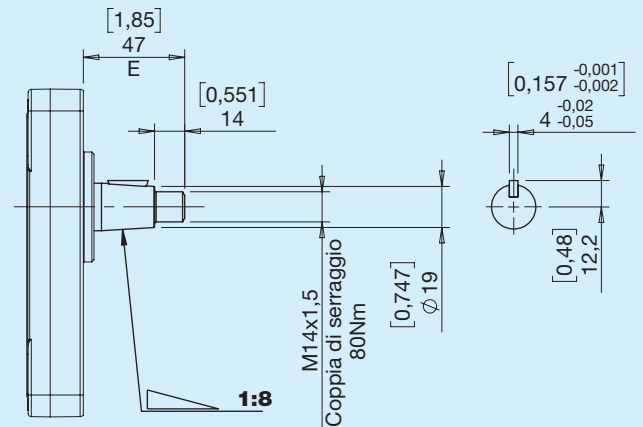


1 Splined SAE BB 15T



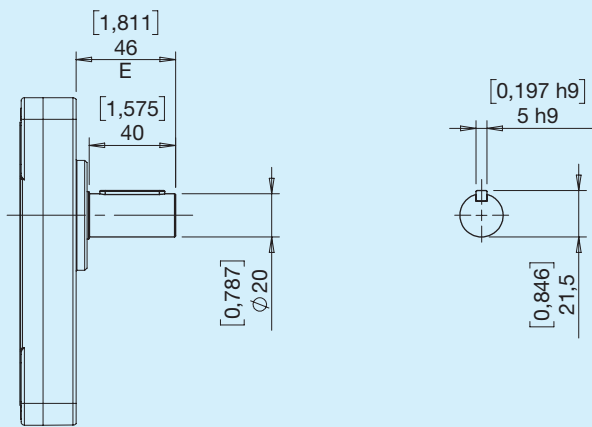
Max. torque 660 Nm

2 Conical (1:8)



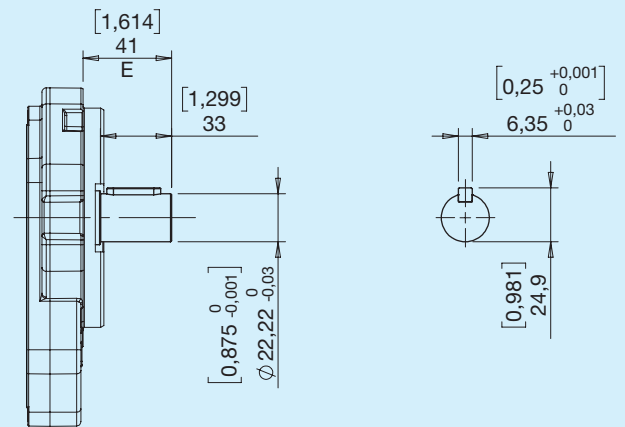
Max. torque 280 Nm

4 Round European D20



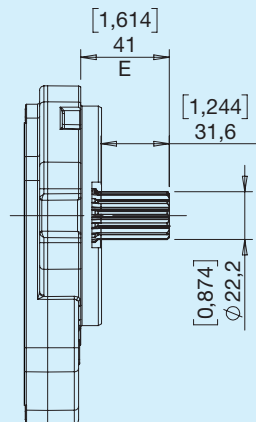
Max. torque 265 Nm

6 Round SAE B



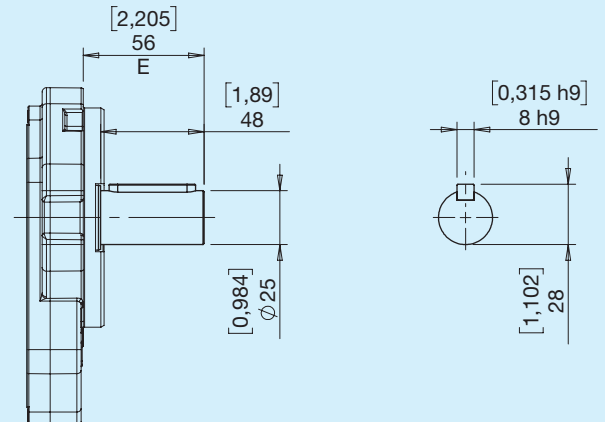
Max. torque 295 Nm

9 Splined SAE B 13T



Max. torque 405 Nm

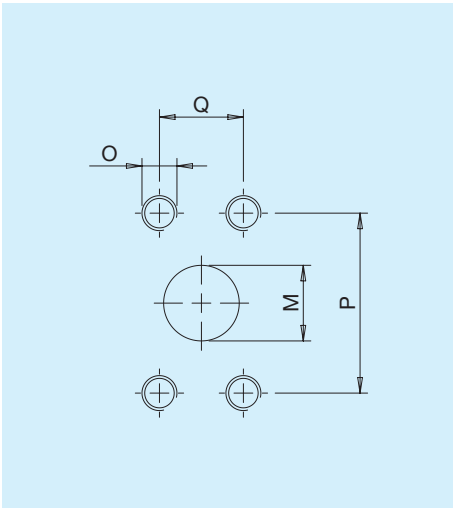
E Round D25



Max. torque 380 Nm

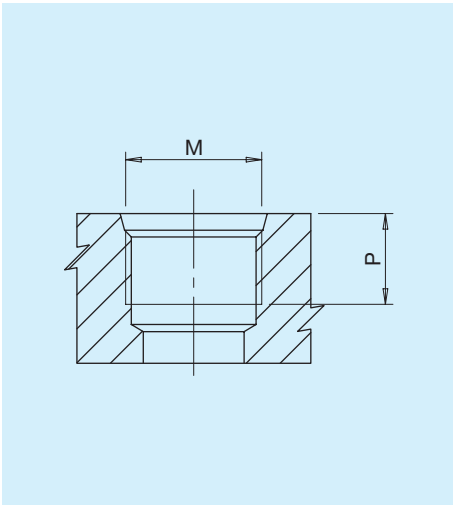
Shafts	Flanges	
	M	Z
1	•	•
2		
4	•	
6		•
9		•
E		•

F Lateral



Type	M		P		Q		O	
	mm	in	mm	in	mm	in		Nm
F6	19	0.75	47.6	1.87	22.2	0.87	M10	38
F7	25	0.87	52.4	2.60	26.2	1.03	M10	38
F8	31	1.22	58.7	2.31	30.2	1.19	M10	38
FA	34	1.34	69.9	2.75	35.7	1.41	M12	70
F9	38	1.5	69.9	2.75	35.7	1.41	M12	70

U Lateral



Type	M	Nm	P	
			mm	in
U6	PORT ISO 11926-1 - 1 1/16-12	90	19	0.75
U7	PORT ISO 11926-1 - 1 5/16-12	160	20	0.79
U8	PORT ISO 11926-1 - 1 5/8-12	200	20	0.79
U9	PORT ISO 11926-1 - 1 7/8-12	200	20	0.79

Combination of Ports Flanges

Ports	Flanges	
	W	Z
F	•	•
U	•	•

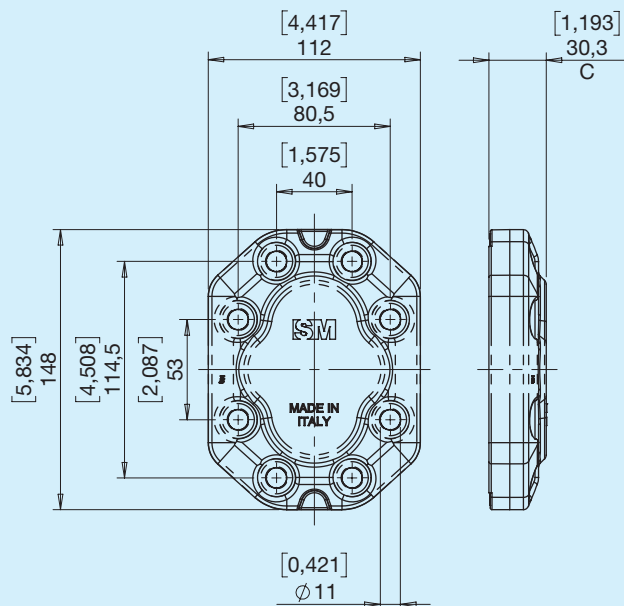
Combination of Displacement ports

Ports	Round			
	20 22 26 IN/OUT ports	33 39 43 IN/OUT ports	51 61 64 IN/OUT ports	73 78 90 IN/OUT ports
F	F7 F6	F8 F7	FA F7	F9 F7

Ports	Round		
	20 22 26 IN/OUT ports	33 39 43 IN/OUT ports	51 ... 90 IN/OUT ports
U	U7 U6	U8 U6	U9 U7

Contact HP Hydraulic for other combinations.

ST Standard



	1 2	3 4	5	6 7	8 9	10 11	12	13 14	
HPZS.3	<input type="checkbox"/>	<input type="checkbox"/>	<input type="checkbox"/>	<input type="checkbox"/>	<input type="checkbox"/>	<input type="checkbox"/>	<input type="checkbox"/>	<input type="checkbox"/>	<input type="checkbox"/>
1 2	Series								
<input type="checkbox"/>	<input type="checkbox"/>	A3 Gear pump Group 3							
3 4	Displacement								
<input type="checkbox"/>	<input type="checkbox"/>	20	33	51	73				
		22	39	61	78				
		26	43	64	90				
5	Direction of rotation								
<input type="checkbox"/>	D Clockwise/right	S Anti-clockwise/left							
6 7	Front flanges - Shafts								
<input type="checkbox"/>	<input type="checkbox"/>	W2 European D50.8 - Tapered (1:8)	Z1 SAE B 2 holes - Splined SAE BB 15T	Z9 SAE B 2 holes - Splined SAE B 13T					
		W4 European D50.8 - European D20 round	Z6 SAE B 2 holes - Round SAE B	ZE SAE B 2 holes - Round D25					
8 9	IN - Inlet ports								
<input type="checkbox"/>	<input type="checkbox"/>	... See Ports and Combinations tables							
10 11	OUT - Output ports								
<input type="checkbox"/>	<input type="checkbox"/>	... See Ports and Combinations tables							
12	Seals								
<input type="checkbox"/>	B NBR	V FKM							
13 14	Cover								
<input type="checkbox"/>	<input type="checkbox"/>	ST Standard							