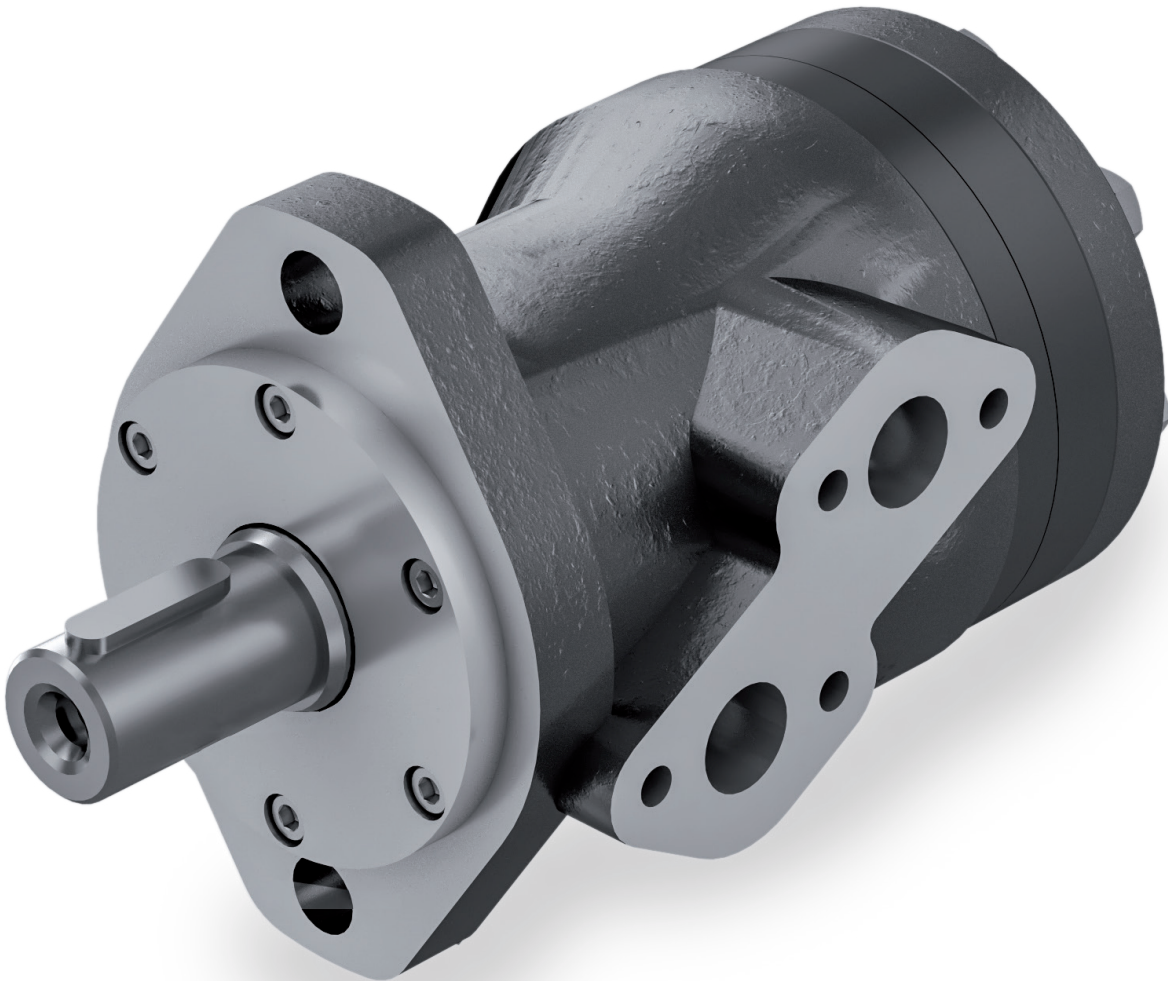
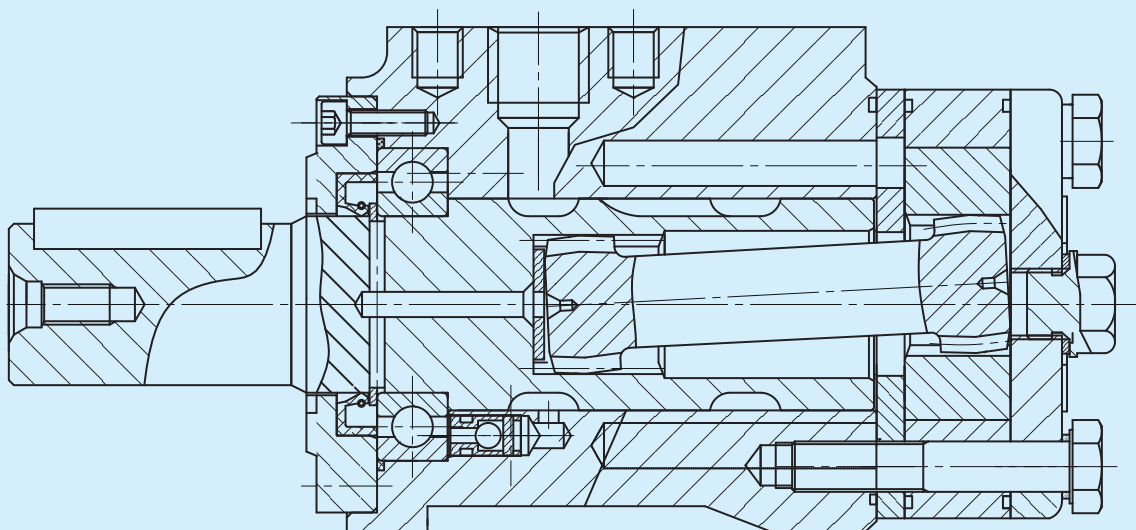


Gerotor motors with radial distribution



Before use, carefully read the GENERAL INSTRUCTIONS FOR USE OF ORBITAL MOTORS.



Gerotor motor with radial distribution and ball bearings, suitable for use in medium pressure conditions.

	Displacement	Pressure			Torque			Rotational speed	Max. flow rate	Max. output power	Weight
	cm ³ /rev	Continuous bar	Intermittent bar	Peak bar	Continuous Nm	Intermittent Nm	Peak Nm				
050	52.9	140	175	225	97	125	149	800	40	7	5.6
080	79.3	140	175	225	148	189	222	770	60	10	5.7
100	98.2	140	175	225	183	238	276	615	60	10	5.9
125	120.9	140	175	225	229	292	340	480	60	10	6.0
160	158.7	140	175	225	295	382	445	385	60	10	6.2
200	196.4	140	175	225	364	470	532	310	60	10	6.2
250	241.8	120	140	200	369	444	568	250	60	8.5	6.6
315	317.3	100	120	150	404	501	555	195	60	7	6.9
400	392.9	80	100	130	416	531	596	155	60	5.7	7.4

Intermittent conditions must not last more than 10% of each minute.
Peak conditions must not last more than 1% of each minute.

050 52.9 cm³/rev

Flow rate l/min	Pressure bar							
	30	60	80	100	125	140	160	175
8	18	38	55	69	87	100	115	
	148	140	123	102	83	61	42	
15	19	39	56	70	87	102	116	128
	277	264	251	242	233	219	202	188
20	19	39	54	69	89	100	115	127
	370	359	348	337	328	320	301	282
30	18	38	53	68	88	98	114	126
	556	541	529	516	509	500	487	461
35	17	37	52	67	86	97	113	125
	649	629	619	608	601	595	578	559
40	16	36	50	66	85	96	111	123
	741	725	718	710	695	688	673	627
50	13	31	47	59	81	94	104	115
	927	919	910	900	888	874	856	837
60	9	25	42	50	76	90	98	106
	1122	1101	1094	1082	1075	1064	1042	1011

Torque Nm
Rotational speed min⁻¹

Pressure
Continuous

Pressure
Intermittent

080 79.3 cm³/rev

Flow rate l/min	Pressure bar							
	30	60	80	100	125	140	160	175
8	33	60	81	103	133	148	172	
	99	91	79	67	56	42	32	
15	36	61	82	104	133	149	173	192
	185	172	163	152	134	125	117	94
20	34	62	83	105	134	150	174	192
	247	238	230	220	205	197	189	172
30	33	60	82	104	133	149	172	190
	370	363	355	342	327	316	302	285
35	32	59	80	102	131	148	170	189
	433	417	406	398	390	384	367	365
40	30	57	78	101	129	147	169	188
	494	484	478	471	461	453	443	411
50	29	56	77	100	128	145	168	186
	617	604	597	590	578	571	558	519
60	28	55	76	99	127	144	167	184
	741	726	718	710	700	686	673	624
75	22	48	71	93	120	134	160	175
	926	906	896	887	867	857	838	779

Torque Nm
Rotational speed min⁻¹

Pressure
Continuous

Pressure
Intermittent

100 98.2 cm³/rev

Flow rate l/min	Pressure bar							
	30	60	80	100	125	140	160	175
8	37	73	98	128	164	186		
	80	68	59	50	163	33		
15	38	74	99	129	165	187	218	240
	150	139	129	117	102	96	87	69
20	39	75	100	130	166	188	219	241
	200	189	180	171	159	150	136	119
30	37	73	98	127	163	185	216	239
	299	286	279	270	259	250	234	219
35	36	71	97	126	161	183	214	238
	349	338	333	329	318	309	299	281
40	35	70	96	124	160	182	213	236
	399	391	387	383	375	370	363	338
50	34	69	95	123	159	181	211	235
	499	489	484	479	468	463	453	423
60	33	68	94	122	158	180	210	233
	599	587	580	574	562	556	544	507
75	27	61	86	111	149	168	198	202
	748	733	726	718	703	695	680	634

Torque Nm
Rotational speed min⁻¹

Pressure
Continuous

Pressure
Intermittent

125 120.9 cm³/rev

Flow rate l/min	Pressure bar							
	30	60	80	100	125	140	160	175
8	44	90	123	158	205	231		
	65	61	51	44	36	30		
15	45	91	124	159	206	232	265	294
	122	118	112	105	99	91	79	61
20	46	90	125	160	206	233	266	295
	165	152	143	133	126	112	106	98
30	45	88	123	158	204	230	264	293
	243	238	236	231	224	217	206	191
35	43	86	121	156	202	229	263	292
	284	278	275	272	266	263	258	240
40	42	85	120	154	200	226	262	290
	342	323	314	311	304	301	294	274
50	41	84	118	152	197	223	261	288
	405	397	393	389	380	376	368	343
60	40	83	116	150	195	221	259	286
	486	476	470	465	465	452	441	412
75	31	78	107	139	187	211	241	272
	608	596	589	583	571	564	552	515

Torque Nm
Rotational speed min⁻¹

Pressure
Continuous

Pressure
Intermittent

160 158.7 cm³/rev

Flow rate l/min	Pressure bar							
	30	60	80	100	125	140	160	175
8	57 49	117 46	160 41	206 34	261 29			
15	58 93	118 84	161 79	207 72	262 64	298 58	349 50	385 41
20	59 123	119 118	162 115	208 111	263 104	299 99	350 93	386 82
30	58 185	117 181	160 177	205 173	261 168	298 165	348 159	384 148
35	57 216	115 211	159 209	203 207	260 202	295 200	346 196	382 183
40	55 247	114 241	156 238	201 236	259 231	293 228	344 220	380 207
50	53 309	111 302	154 299	199 296	258 289	292 286	342 280	378 261
60	52 370	109 363	152 359	197 355	256 348	290 344	340 336	376 314
75	43 463	101 453	143 448	190 444	249 430	282 420	322 410	358 383

Torque Nm
Rotational speed min⁻¹

Pressure
Continuous

Pressure
Intermittent

200 196.4 cm³/rev

Flow rate l/min	Pressure bar							
	30	60	80	100	125	140	160	175
8	69 40	140 33	193 29	248 25				
15	70 75	141 70	194 64	249 58	324 50	366 41	428 32	
20	71 100	142 92	195 83	250 75	325 69	367 58	428 52	472 47
30	70 150	141 140	193 136	248 129	323 120	366 112	426 101	471 93
35	69 175	140 170	191 164	247 160	321 154	364 148	425 140	470 129
40	67 199	138 194	190 191	246 188	320 183	362 179	423 171	468 159
50	66 249	136 244	189 241	244 239	318 234	361 230	422 226	466 211
60	65 299	135 293	187 290	243 287	316 281	359 278	420 255	465 238
75	58 374	127 366	179 362	234 358	308 351	348 347	408 339	456 317

Torque Nm
Rotational speed min⁻¹

Pressure
Continuous

Pressure
Intermittent

250 241.8 cm³/rev

Flow rate l/min	Pressure bar					
	30	60	80	100	120	140
8	86 32	172 30	234 26			
15	87 61	173 59	235 54	297 49	368 40	443 33
20	88 81	174 78	236 73	298 68	369 62	444 56
30	86 123	173 120	235 118	297 116	368 112	443 103
35	85 142	171 138	234 132	296 125	366 117	442 108
45	83 162	169 159	232 154	294 150	364 144	440 135
55	82 203	167 198	230 195	293 193	362 191	438 186
60	81 243	166 238	228 236	292 233	360 230	437 221
75	74 304	153 297	212 294	281 291	349 288	423 277

Torque Nm
Rotational speed min⁻¹

Pressure
Continuous

Pressure
Intermittent

315 317.3 cm³/rev

Flow rate l/min	Pressure bar					
	30	50	70	90	100	120
8	114 25	191 22	270 19			
15	115 46	192 42	271 38	355 34	403 29	500 21
20	116 62	193 59	272 55	356 51	404 45	501 40
30	114 93	191 90	270 86	354 80	403 76	499 65
35	112 108	189 105	268 103	352 101	400 100	497 95
40	110 123	187 121	266 119	350 116	398 114	495 109
50	108 154	184 151	264 148	348 144	396 142	493 137
60	106 185	182 181	262 179	346 176	394 174	491 171
75	100 231	175 226	156 222	339 219	387 215	482 209

Torque Nm
Rotational speed min⁻¹

Pressure
Continuous

Pressure
Intermittent

400 392.9 cm³/rev

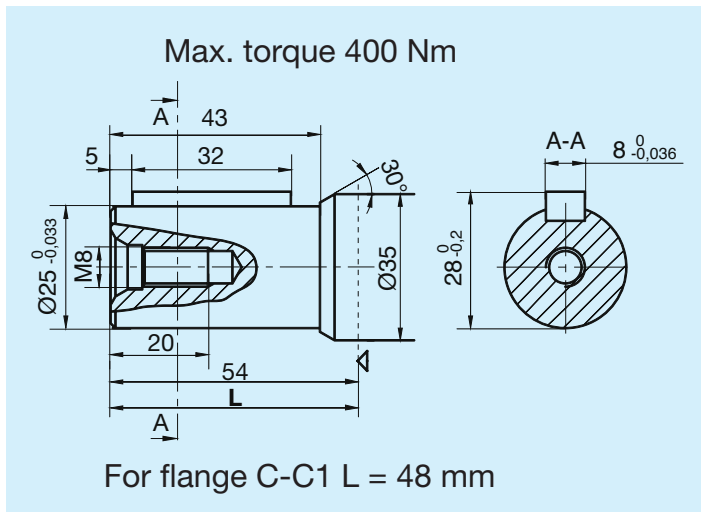
Flow rate l/min	Pressure bar					
	30	40	50	70	80	100
8	155 20	204 18				
15	156 37	205 34	262 31	366 27	428 24	544 19
20	157 50	208 47	264 44	368 39	434 37	549 32
30	152 75	204 72	258 69	362 66	424 64	540 60
35	148 87	198 84	252 81	356 77	416 74	531 69
45	142 100	193 97	246 94	348 90	406 88	523 84
55	136 125	186 122	238 120	341 117	398 115	515 111
60	131 150	180 148	231 146	333 142	390 140	506 137
75	123 187	168 183	215 179	312 172	371 169	492 162

Torque Nm
Rotational speed min⁻¹

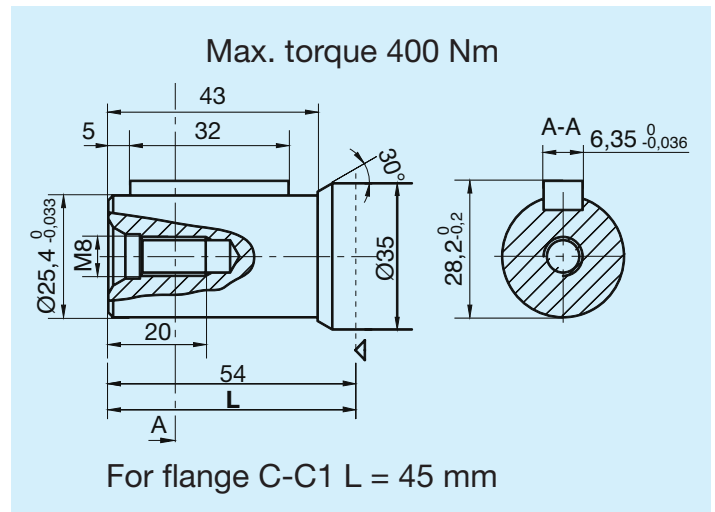
Pressure
Continuous

Pressure
Intermittent

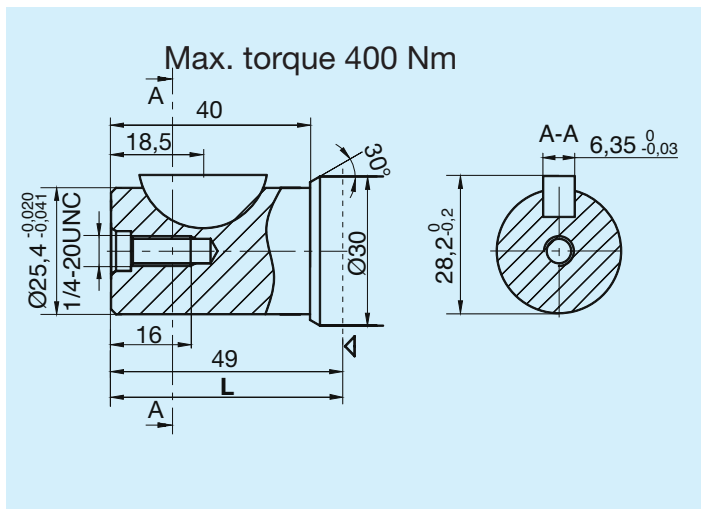
AP1 Ø25 key DIN 6885 A 8x7x32



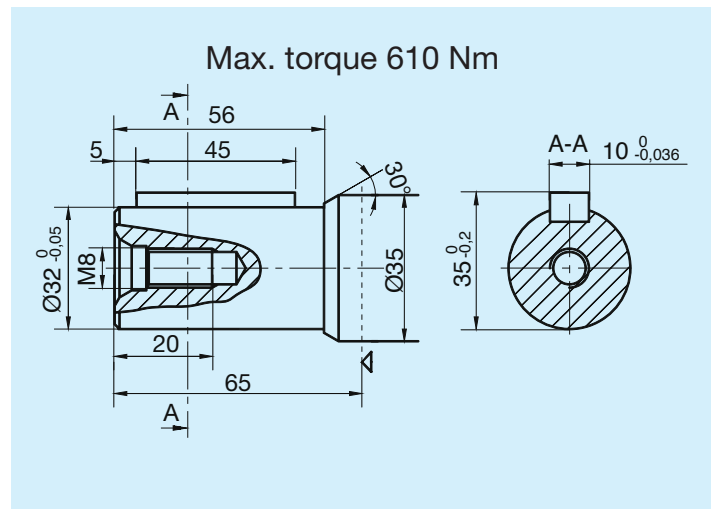
AP3 1" EU key BS46 1/4"x1/4"x1 1/4"



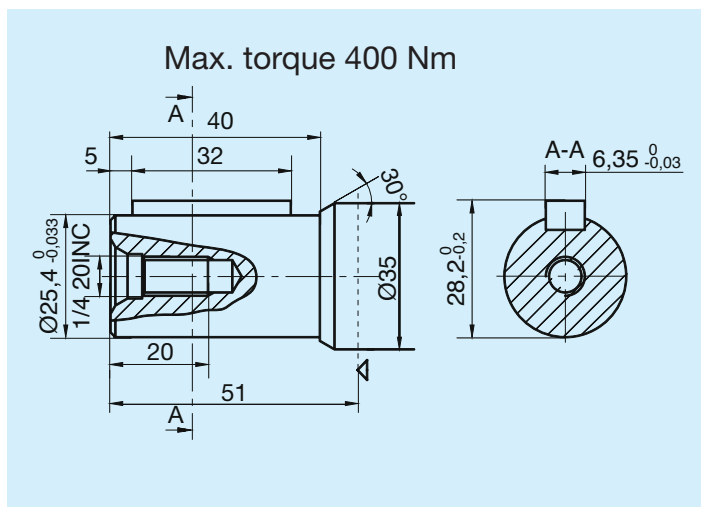
AP4 1" US key BS46 1/4"x1/4"x1 1/4"



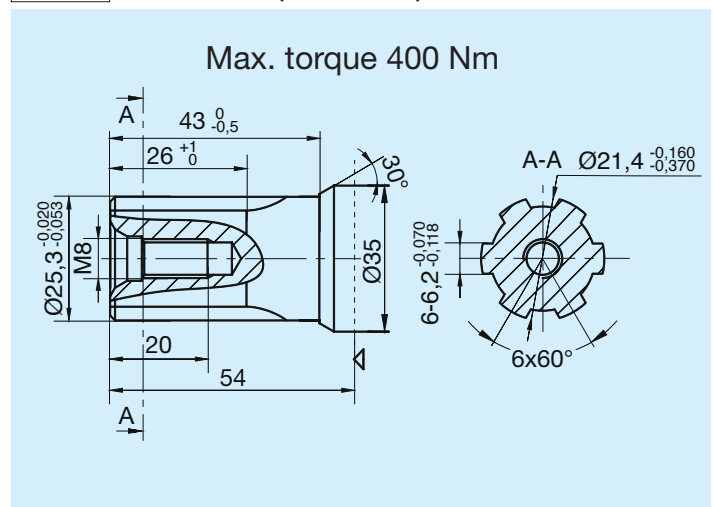
AP5 Ø32 key DIN 6885 A 10x8x45



P33 1" US key BS46 1/4"x1/4"x1 1/4"

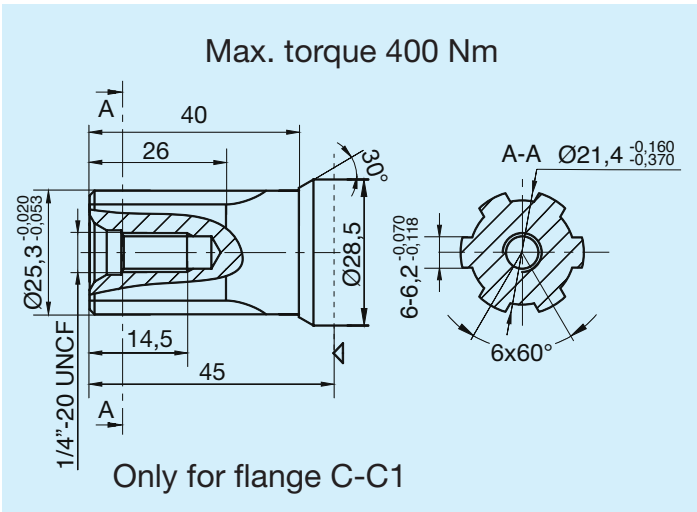


AH3 SAE 6 B (BS2059) EU

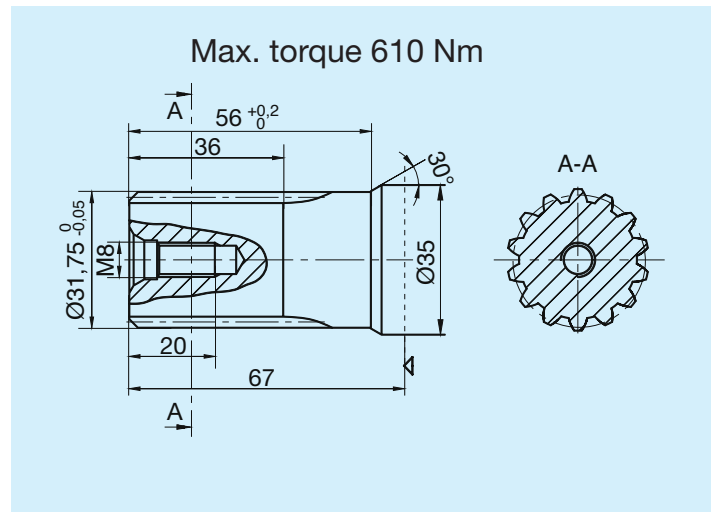


The shafts come with anti-corrosion treatment as standard.

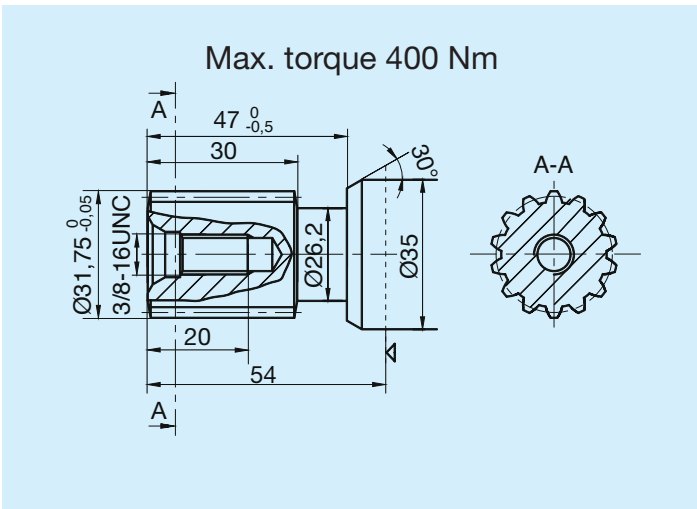
AH4 SAE 6 B (BS2059) US



K13 1 1/4" ANSI B92.1 DP12/24 30° Z14

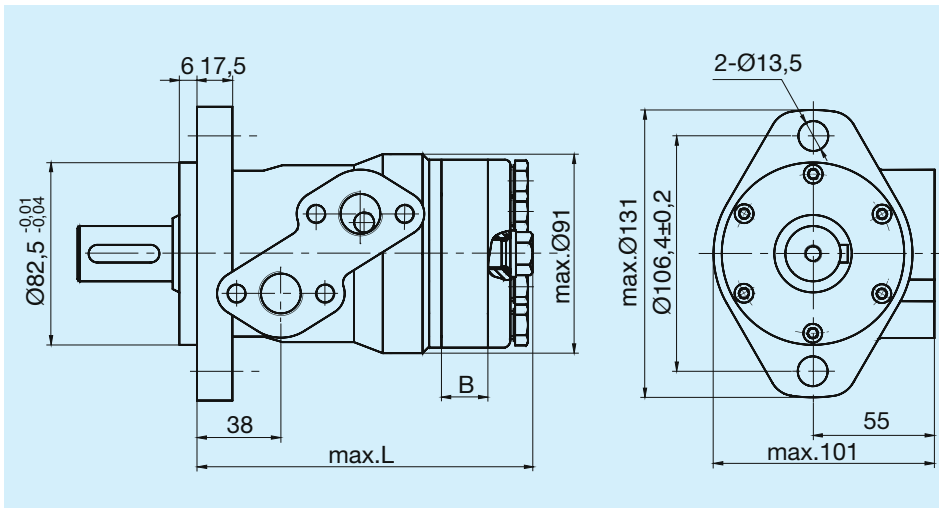


K14 ANSI-B92.1 DP12/24 30° Z14



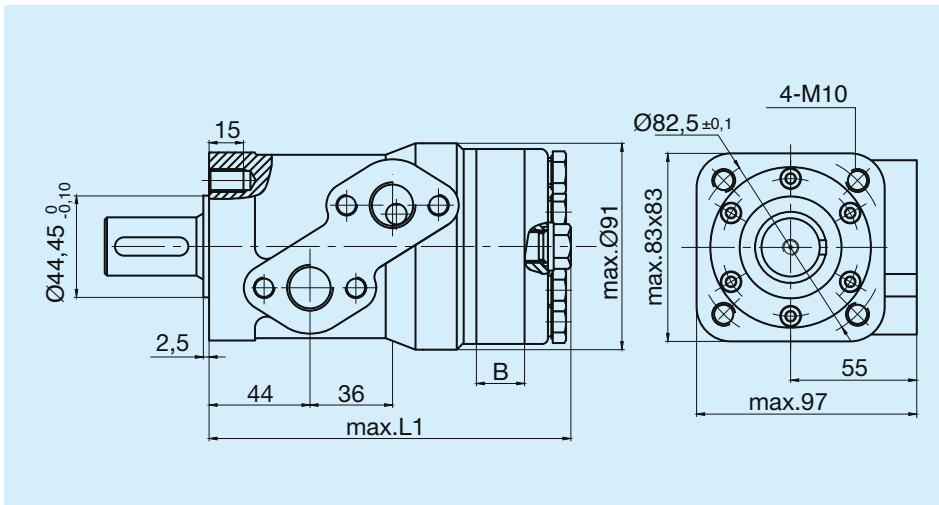
The shafts come with anti-corrosion treatment as standard.

A2 SAE A 2 holes



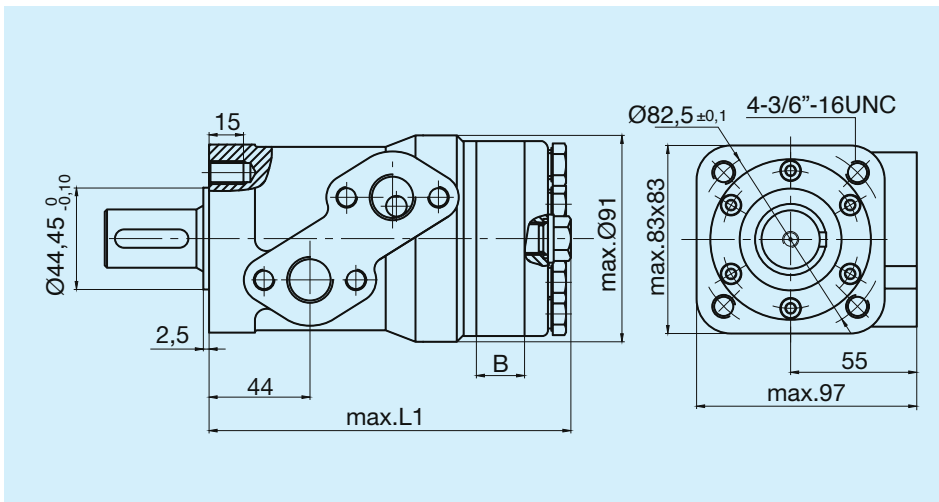
Type	L mm	L1 mm	B mm
PY 500	143.5	151.5	7
PY 080	144.5	152.5	11
PY 100	146.5	154.5	13
PY 125	149.5	157.5	16
PY 160	154.5	162.5	21
PY 200	159.5	164.5	26
PY 250	165.5	173.5	32
PY 315	175.5	183.5	42
PY 400	185.5	193.5	52

C0 M46C EU



Type	L mm	L1 mm	B mm
PY 050	143.5	151.5	7
PY 080	144.5	152.5	11
PY 100	146.5	154.5	13
PY 125	149.5	157.5	16
PY 160	154.5	162.5	21
PY 200	159.5	164.5	26
PY 250	165.5	173.5	32
PY 315	175.5	183.5	42
PY 400	185.5	193.5	52

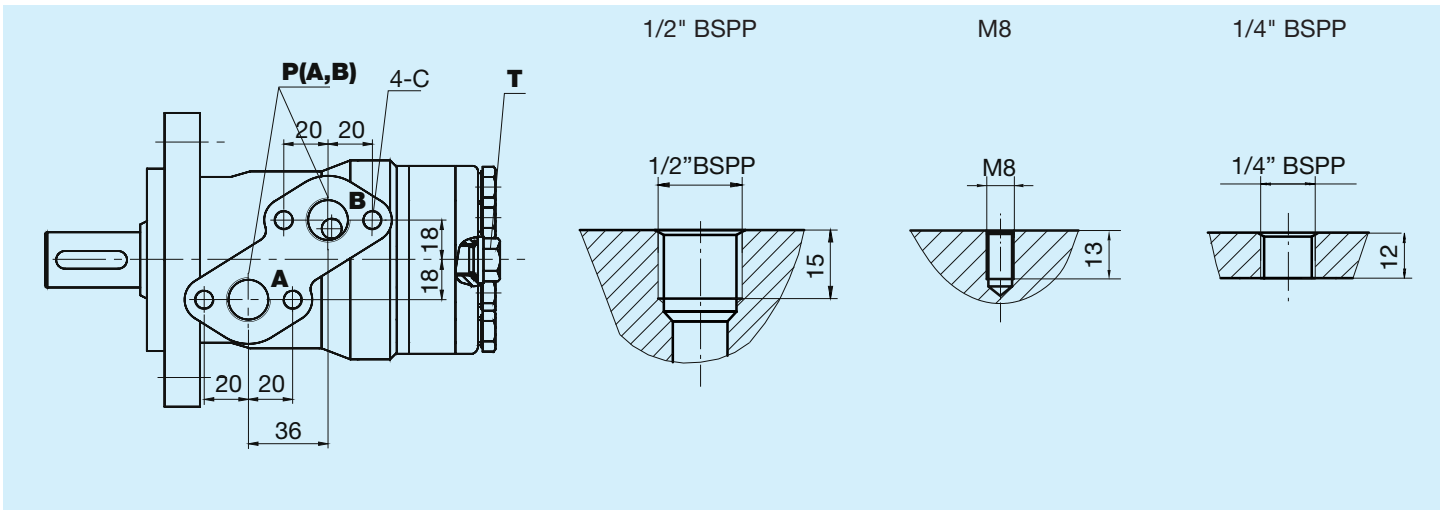
C1 M46C US



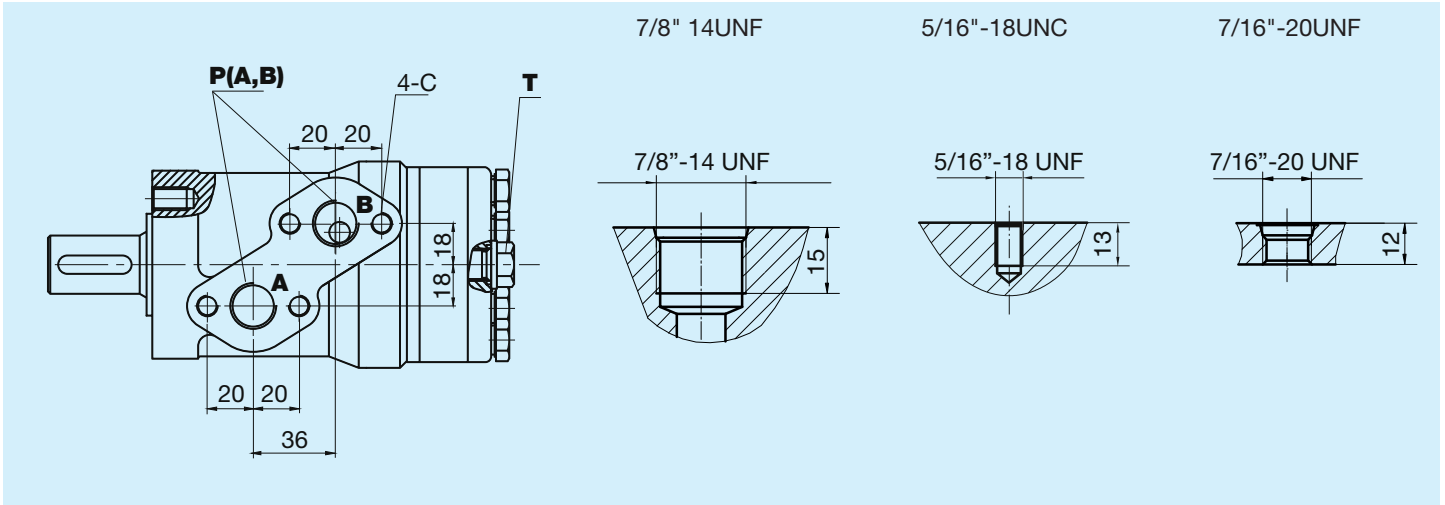
Type	L mm	L1 mm	B mm
PY 050	143.5	151.5	7
PY 080	144.5	152.5	11
PY 100	146.5	154.5	13
PY 125	149.5	157.5	16
PY 160	154.5	162.5	21
PY 200	159.5	164.5	26
PY 250	165.5	173.5	32
PY 315	175.5	183.5	42
PY 400	185.5	193.5	52

The flanges come with anti-corrosion treatment as standard.

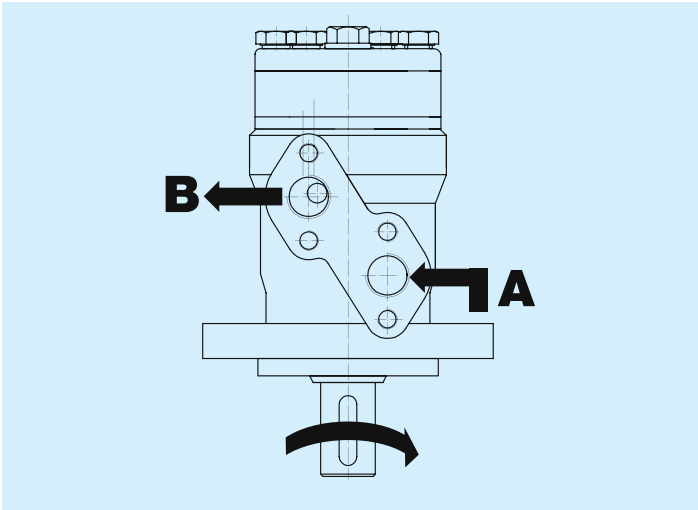
Y10 With lateral ports



Y15 With lateral ports



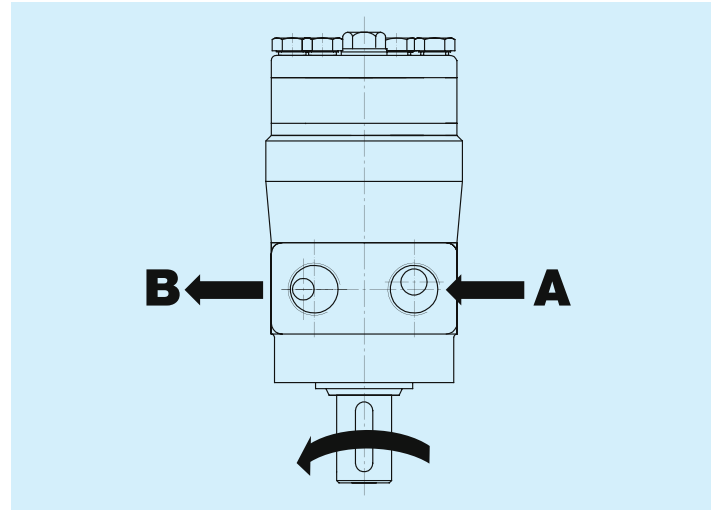
0 Standard



When facing the motor shaft, rotation is:

- Clockwise, when port A is pressurised
- Counterclockwise, when port B is pressurised.

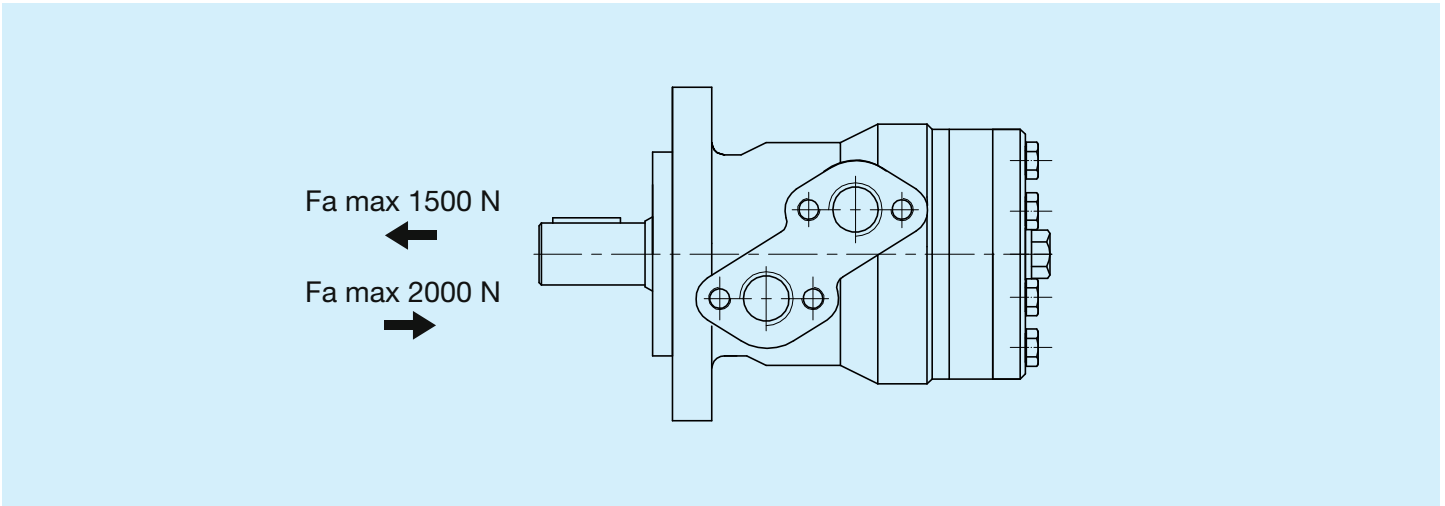
L Reverse



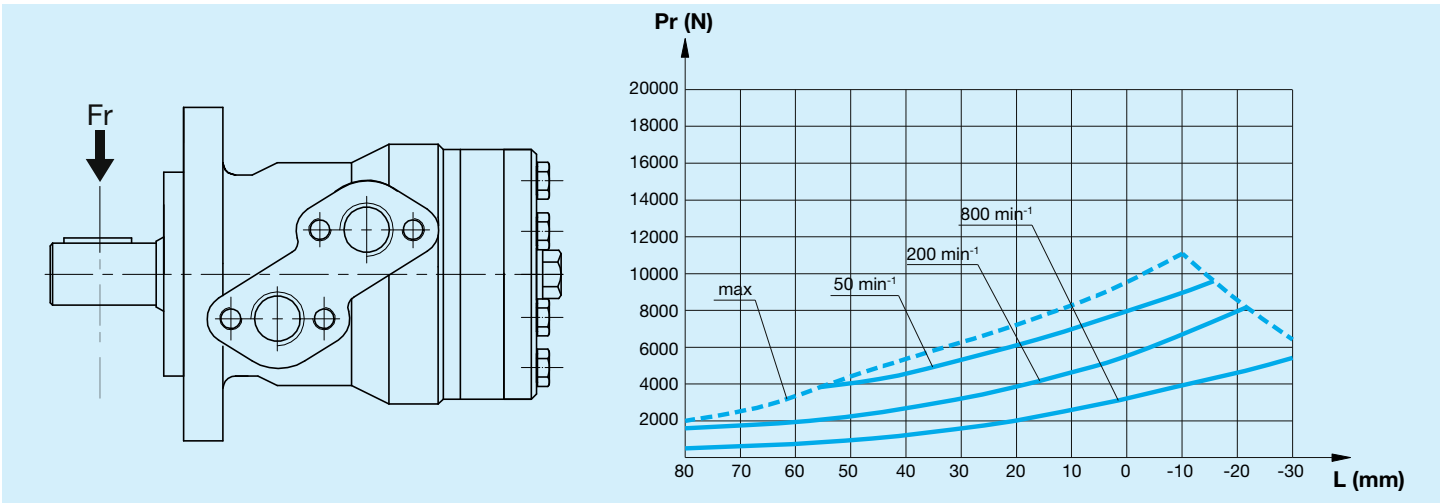
When facing the motor shaft, rotation is:

- Counterclockwise, when port A is pressurised
- Clockwise, when port B is pressurised.

Axial load



Radial load





1	Displacement					
<input type="text"/>	050	52.9 cm ³ /rev	125	120.9 cm ³ /rev	250	241.8 cm ³ /rev
<input type="text"/>	080	79.3 cm ³ /rev	160	158.7 cm ³ /rev	315	317.3 cm ³ /rev
<input type="text"/>	100	98.2 cm ³ /rev	200	196.4 cm ³ /rev	400	392.9 cm ³ /rev

2	Shaft profile					
<input type="text"/>	AP1	Cylindrical Ø25 Key DIN6885 A 8x7x32	AP5	Cylindrical Ø32 Key DIN6885 A 10x8x45	AH4	Grooved SAE 6 B (BS2059) US
<input type="text"/>	AP3	Cylindrical 1" EU version Key BS46 1/4"x1/4"x1 1/4"	P33	Cylindrical 1" US version Key BS46 1/4"x1/4"x1 1/4"	K13	Grooved 1 1/4" ANSI B92.1 DP12/24 30° Z14 reinforced
<input type="text"/>	AP4	Cylindrical 1" Key ANSI B17.2 1/4"x1"	AH3	Grooved SAE 6 B (BS2059) EU	K14	Grooved 1 1/4" ANSI B92.1 DP12/24 30° Z14

3	Flanges					
<input type="text"/>	A2	SAE A 2 holes	C0	M46C EU version	C1	M46C US version

4	Thread ports A-B, T					
<input type="text"/>	Y10	1/2" BSPP Drain port 1/4" BSPP	Y15	7/8"-14UNF(15) Drain port 7/16"-20UNF		

5	Special options					
<input type="text"/>	00	None				

6	Direction of rotation of shafts					
<input type="text"/>	0	Standard	L	Reverse		

